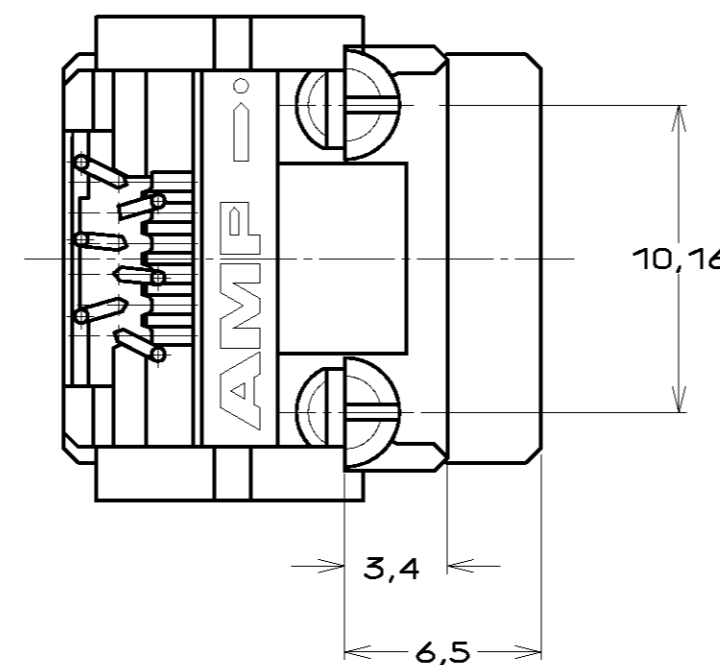
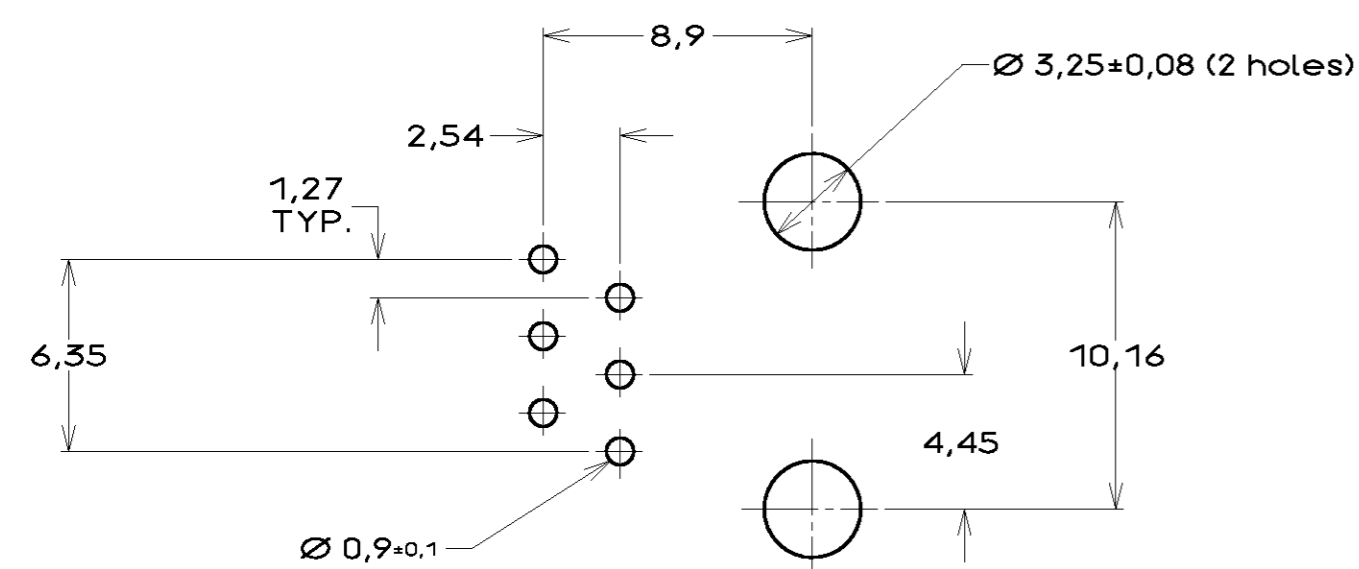
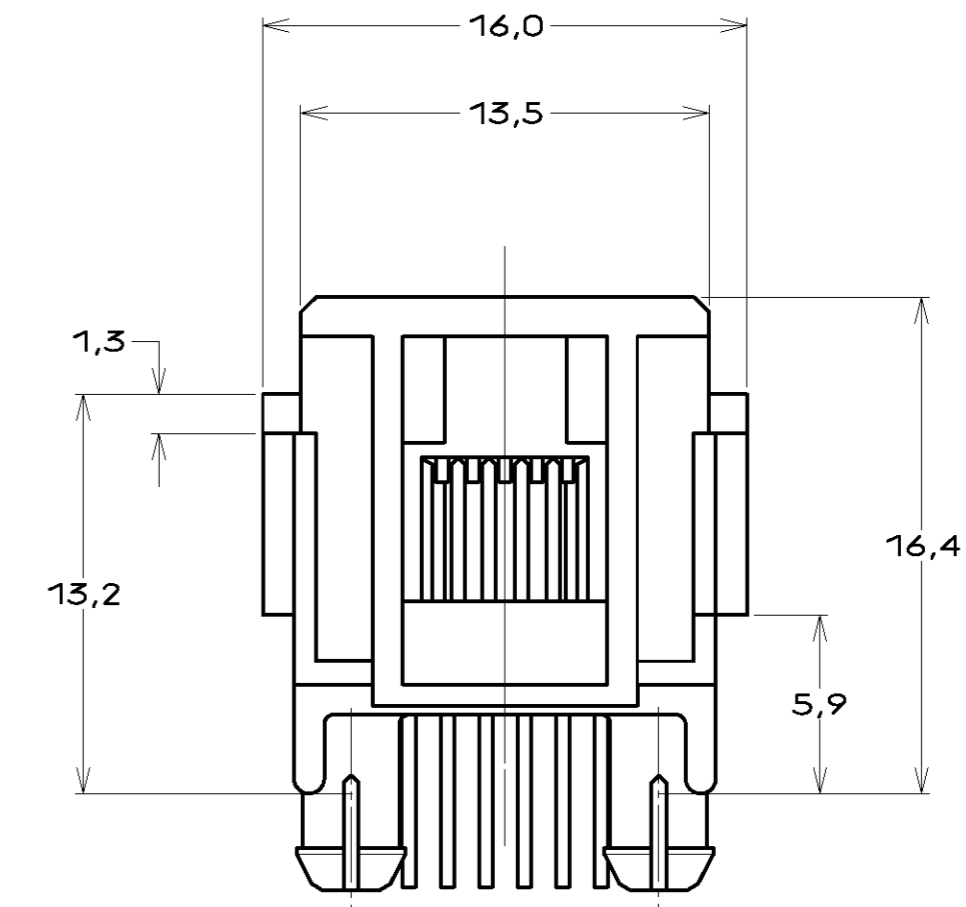
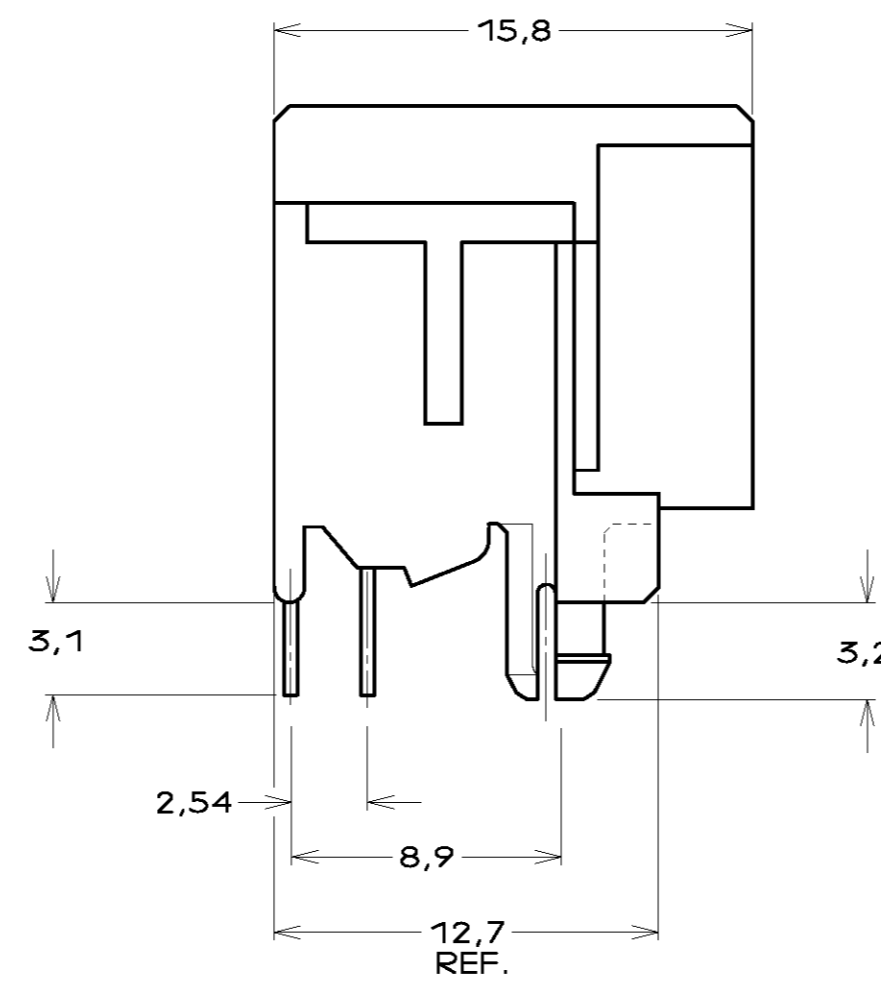
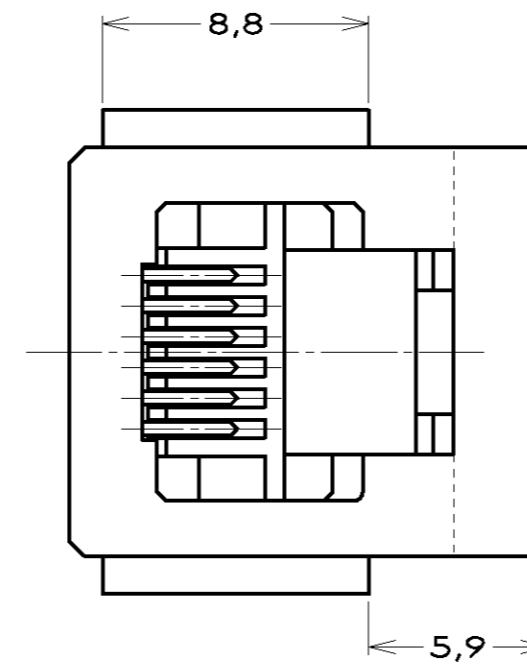
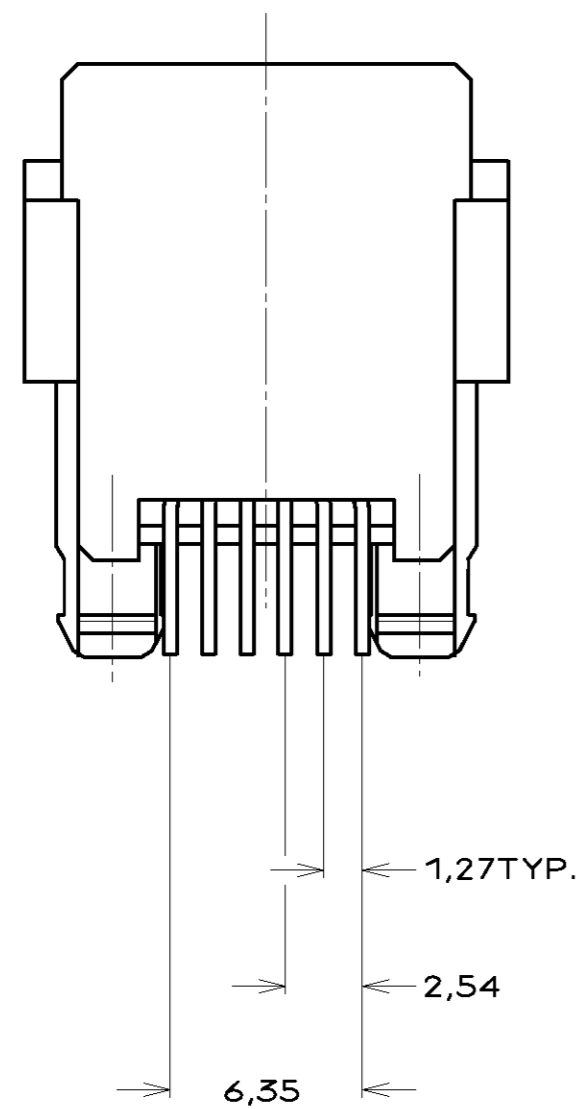


NOTES:

- 1 SEE SHEET 2 FOR 216564-2, 6 POS./4 CONTACTS.
- 2 TOLERANCES UNLESS OTHERWISE SPECIFIED: ±0,15
- 3 FOR APPLICATION INFORMATION SEE AMP SPEC. 114-19019.
- 4 FOR PERFORMANCE REQUIREMENTS SEE AMP SPEC. 108-19064



PRINTED CIRCUIT BOARD LAYOUT

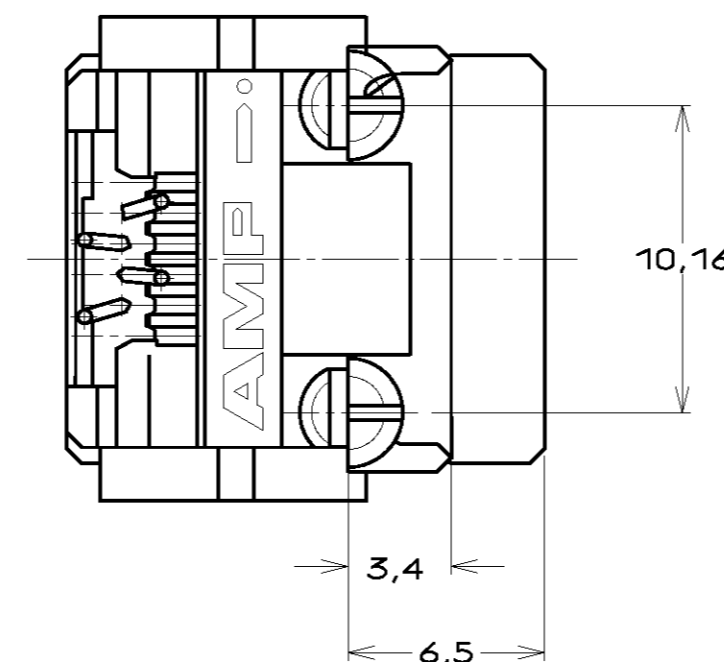
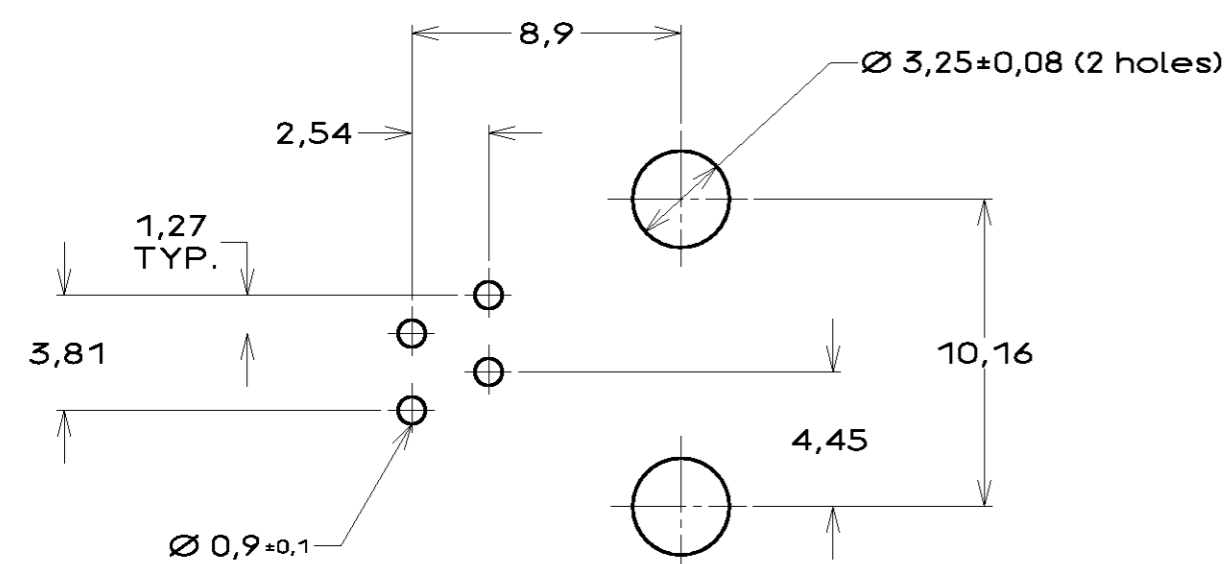
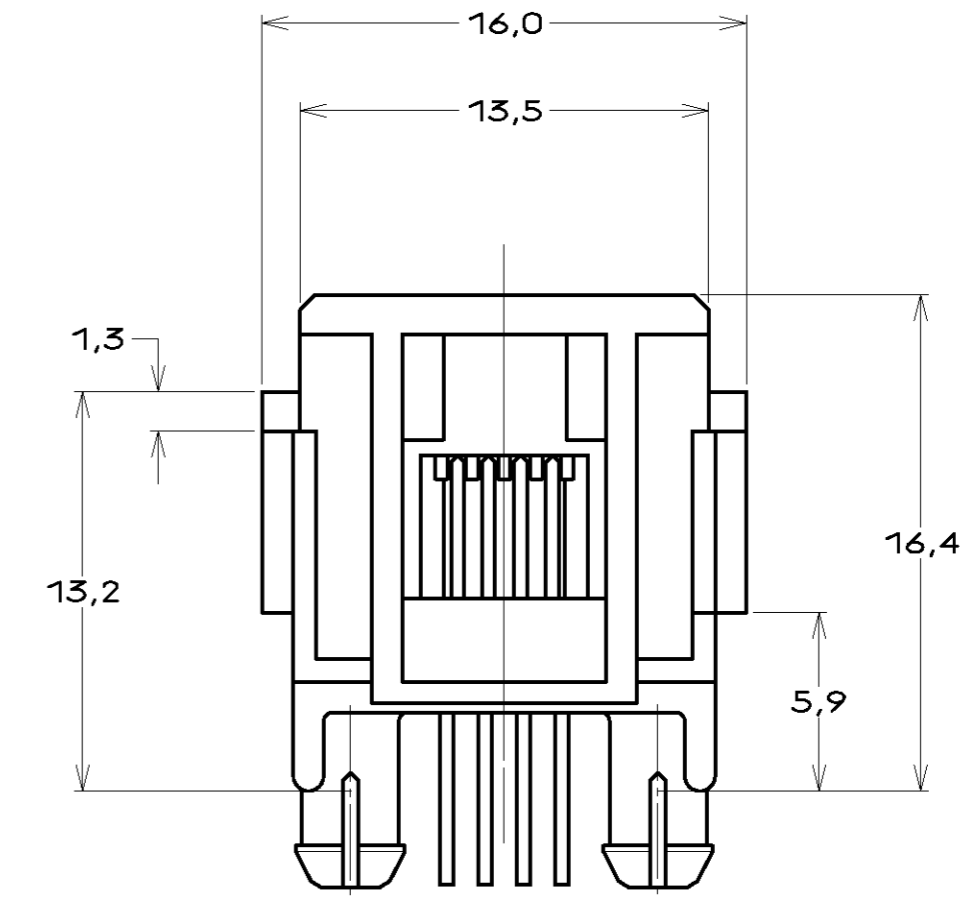
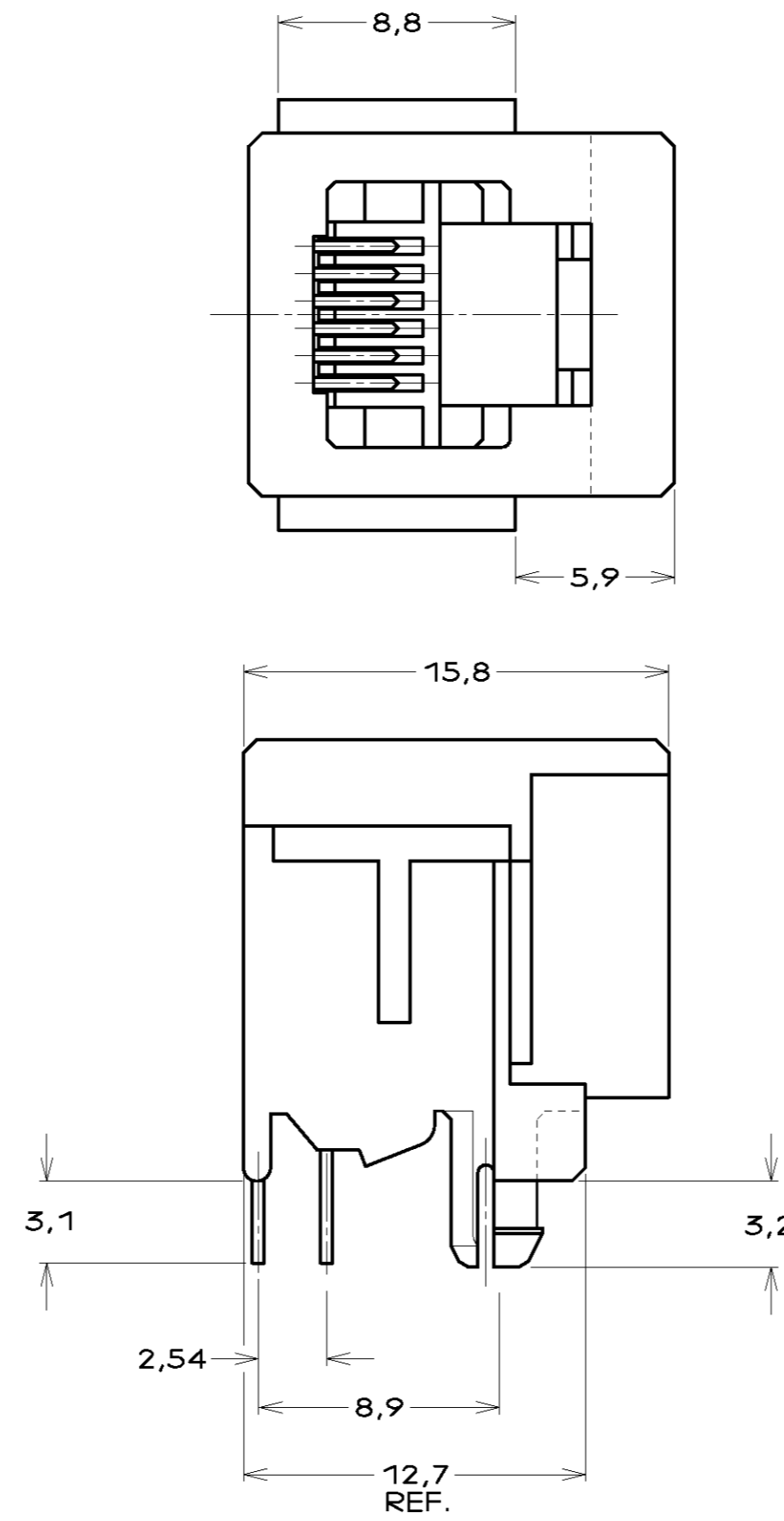
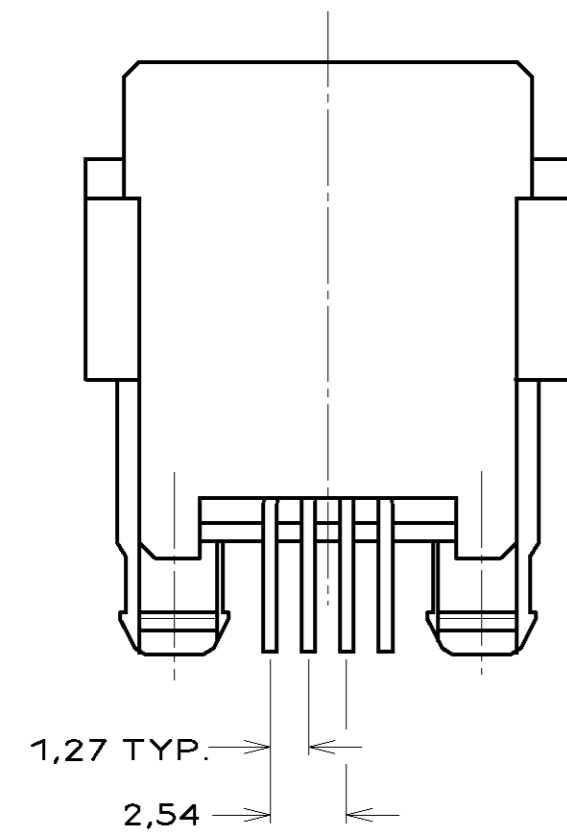
[VIEW SHOWN IS CIRCUIT (NONCOMPONENT) SIDE OF BOARD.]

TOLERANCES UNLESS OTHERWISE SPECIFIED: ± 0,05.
PRINTED CIRCUIT BOARD THICKNESS: 1,6 mm NOMINAL.

700pcs. ON A 60cm. DIA. REEL	6 POSITIONS/ 6 CONTACTS.	IN CONTACT AREA: 1,2µm MIN. SEL. GOLD OVER 1,2µm MIN. NICKEL	HOUSING: PTB,UL 94-HB COLOR: BLACK	216564-1	
REMARKS		FINISH	MATERIAL	PARTNUMBER	
-		-	-	-	
CUSTOMER DRAWING FOR REFERENCE ONLY WILL NOT BE UPDATED					
© COPYRIGHT 19 BY AMP HOLLAND B.V. ALL INTERNATIONAL RIGHTS RESERVED. AMP PRODUCTS MAY BE COVERED BY U.S. AND FOREIGN AND/OR PATENTS PENDING.					
THIS DRAWING IS UNPUBLISHED RELEASED FOR PUBLICATION					
H2	ECR-08-013498	AEG	-	18-02-09	
H1	OU60-0073-00	KV	KV	10 AUG 00	
H	EH-1376-99	MVE	MVE	22 JUL 99	
G	EH-0939-99	JG	TD	APR 99	
F	EH-0244-96	MVE	G.C.	15 FEB 96	
LTR.	REVISION RECORD	DR.	CHK.	DATE	
DR.:	L.v.d.HEIJDEN	CHK.:	C.STERKEN	APP.:	L.v.SOEST
DATE:	29 AUG 89	DATE:	-	DATE:	-
DWG.No.		REV.LTR.		SHEET	
C-216564		H2		1 OF 2	
A2					

NOTES:

- 1 SEE SHEET 1 FOR 216564-1, 6 POS/6 CONTACTS.
- 2 TOLERANCES UNLESS OTHERWISE SPECIFIED: ±0,15
- 3 FOR APPLICATION INFORMATION SEE AMP SPEC. 114-19019.
- 4 FOR PERFORMANCE REQUIREMENTS SEE AMP SPEC. 108-19064



PRINTED CIRCUIT BOARD LAYOUT
 [VIEW SHOWN IS CIRCUIT (NONCOMPONENT) SIDE OF BOARD.]
 TOLERANCES UNLESS OTHERWISE SPECIFIED: ± 0,05.
 PRINTED CIRCUIT BOARD THICKNESS: 1,6 mm NOMINAL.

OBSOLETE	BULK PACKAGED 1000pcs. IN A BOX		IN CONTACT AREA: 1,2µm MIN. SEL. GOLD OVER 1,2µm MIN. NICKEL	HOUSING: PTB, LIL 84 HB COLOR: BLACK	216564-5
	700pcs. ON A 60cm DIA. REEL	6 POSITIONS/ 4 CONTACTS.	SOLDER FINES: 2,0µm MIN. TIN-LEAD OVER 1,2µm MIN. NICKEL	CONTACTS: PHOSPHOR BRONZE	216564-2
	PACKAGING	REMARKS	FINISH	MATERIAL	PARTNUMBER
	-	-	-	-	-
	-	-	-	-	-
	-	-	-	-	-
	-	-	-	-	-
	-	-	-	-	-
	SEE SHEET 1	-	-	-	-
	LTR.	DR.	CHK.	DATE	
	DR.: P.BEIJNON	CHK.: C.STERKEN	APP.: L.v.SOEST	DWG.No.	
	DATE: -	DATE: -	DATE: -	C-216564	
				REV.LTR.	SHEET
				H2	2 OF 2
					A2

X-ON Electronics

Largest Supplier of Electrical and Electronic Components

Click to view similar products for [Modular Connectors / Ethernet Connectors](#) category:

Click to view products by [TE Connectivity](#) manufacturer:

Other Similar products are found below :

[8949-H88/06BLKA/SN](#) [74441-0010/BKN](#) [MP1010RX-1000](#) [MP44RX-1000](#) [PHJ-4P4C-1-V-4](#) [PHP-6P6C-5](#) [GAX-3-66](#) [GAX-8-62](#) [GDCX-PA-66-50](#) [GDCX-PN-64](#) [GDCX-PN-66](#) [GDCX-PN-66-50](#) [GDLX-A-66](#) [GDLX-N-66](#) [GDLX-S-66](#) [GDLX-S-88K](#) [GDTX-S-88-50](#) [GDX-PA-1010](#) [GLX-N-1010M-BLK](#) [GLX-S-88M-BLK](#) [GMX-N-1010](#) [GMX-S-1010](#) [GMX-S-66](#) [GMX-SMT4-N-88](#) [GPX-2-64](#) [GSGX-N-2-88](#) [GSGX-N-4-88](#) [GSX-NS2-88-3.05](#) [GSX-NS2-88-3.05-50](#) [GSX-NS-88-3.05-50](#) [PT-108A-8C-UL](#) [PT-J951-8C](#) [PTS-J531-8CS-50UL](#) [1-1775629-2](#) [A-2014-0-4](#) [GWLX-S-88-GR](#) [GWLX-S9-88-YG](#) [DC-1021-8-WH-6](#) [1300530003](#) [1324640-4](#) [RJ11FTVC2G](#) [RJ11FTVC2N](#) [RJFTVX2SA1G](#) [132764-001](#) [1413235](#) [MP88X-1000](#) [MPS88RX-5000](#) [E5288-S000K3-L](#) [E5908-15A242-L](#) [155302-001](#)