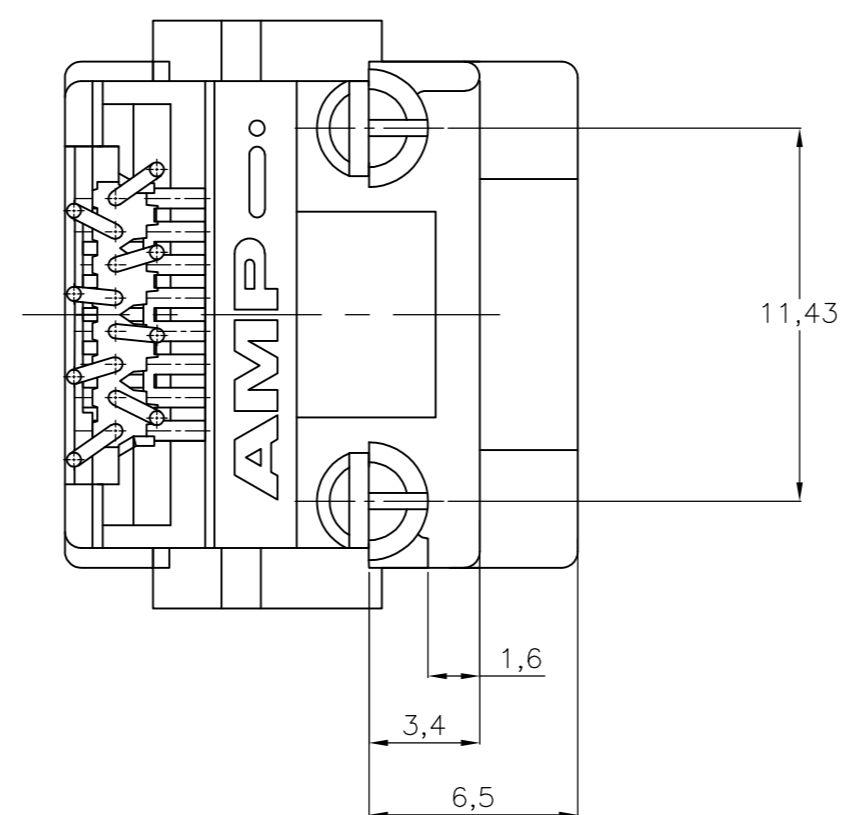
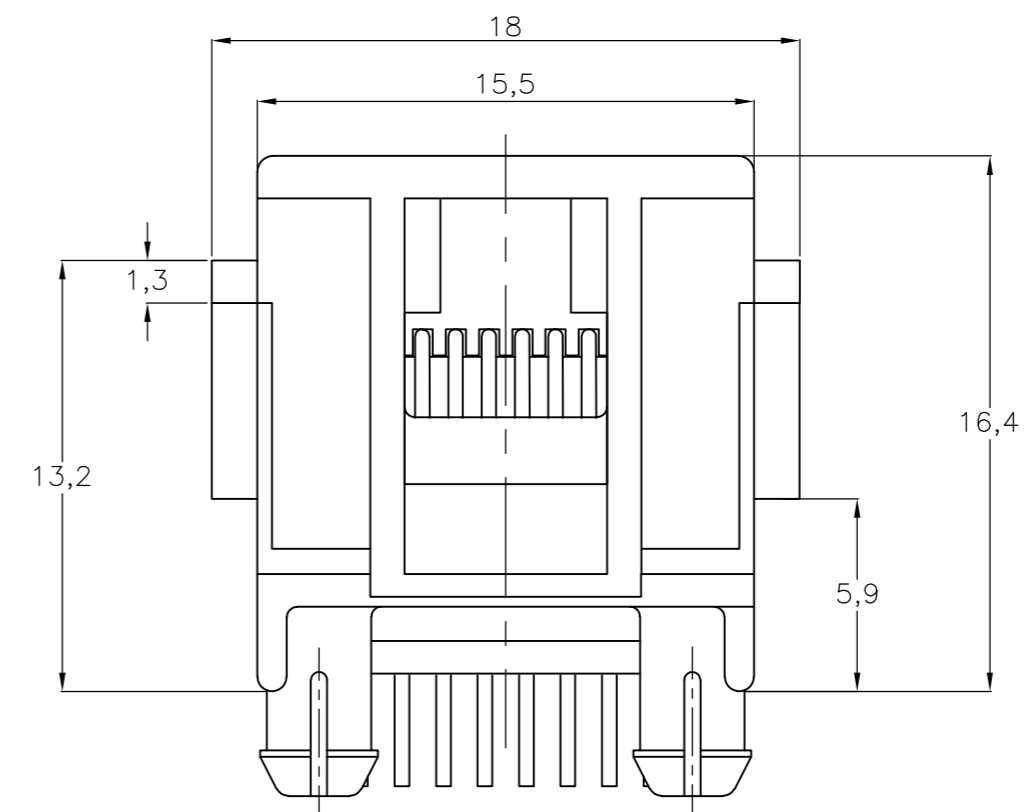
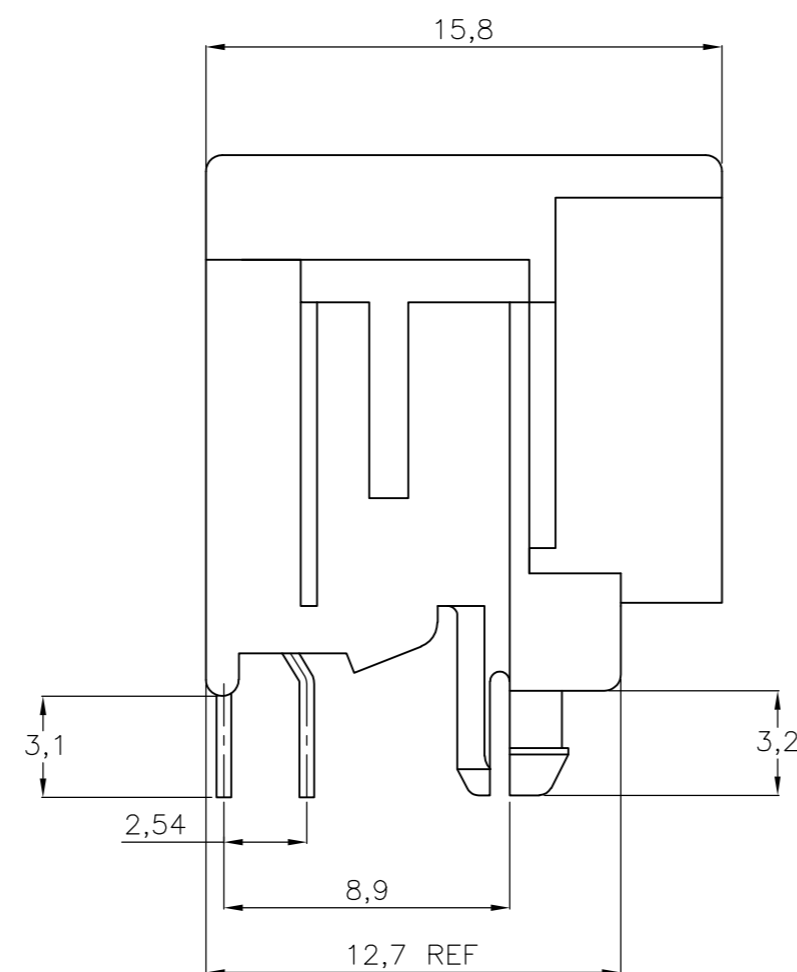
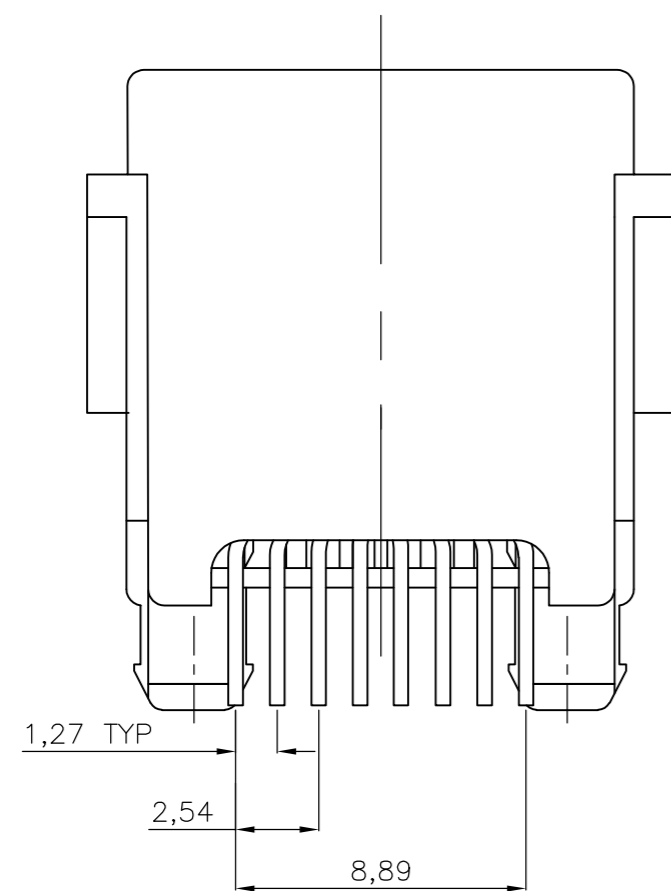
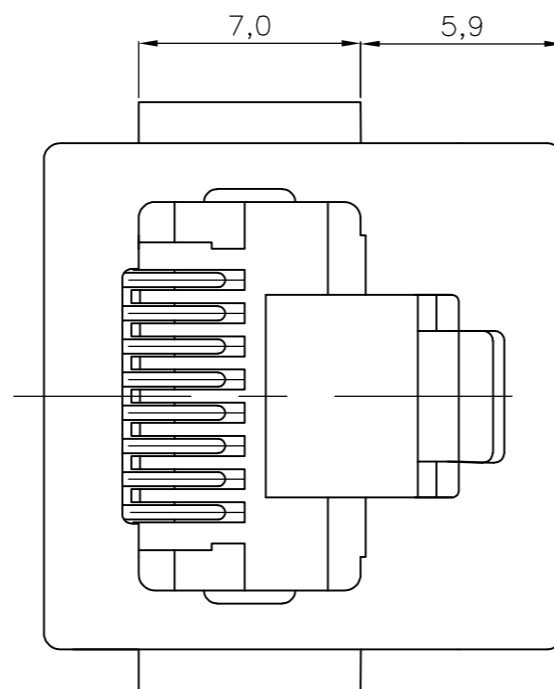


THIS DRAWING IS UNPUBLISHED. RELEASED FOR PUBLICATION  
 © COPYRIGHT - By - ALL RIGHTS RESERVED.

LOC		DIST		REVISIONS			
P	LTR	DESCRIPTION	DATE	DWN	APVD		
	N2	ECR-11-025628	20DEC2011	PS	-		

NOTES:

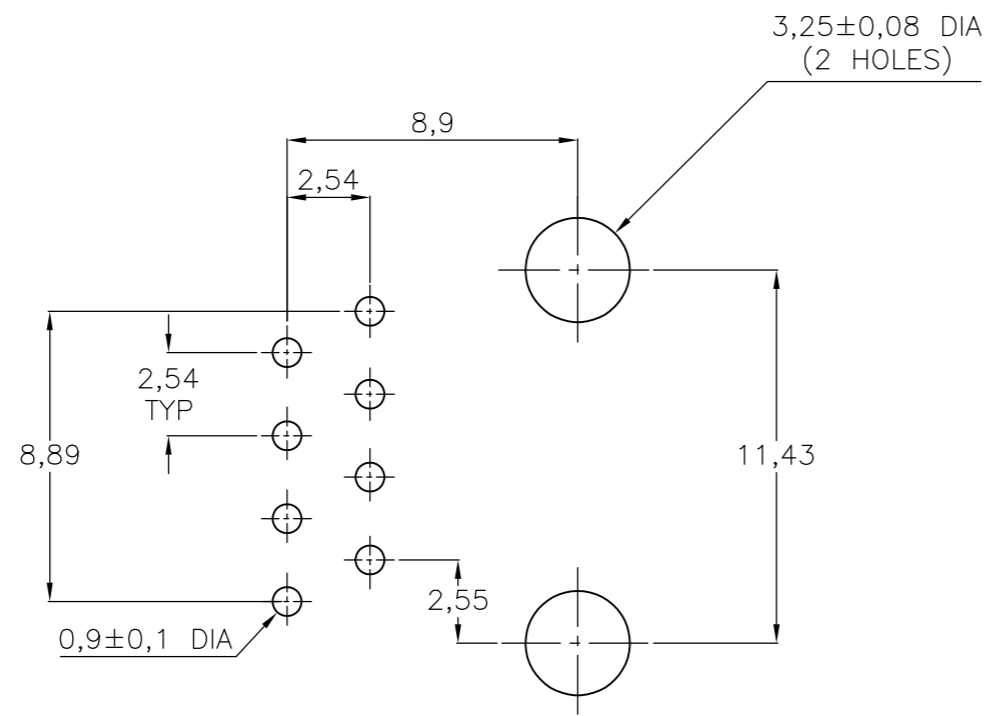
1. TOLERANCES UNLESS OTHERWISE SPECIFIED:±0,15
2. FOR APPLICATION INFORMATION SEE TE SPEC. 114-19019.
3. FOR PERFORMANCE REQUIREMENTS SEE TE SPEC. 108-19064



THIS DRAWING IS A CONTROLLED DOCUMENT.		DWN	19JUN90			TE Connectivity		
DIMENSIONS: mm		CHK	P.BEIJNON			NAME		
TOLERANCES UNLESS OTHERWISE SPECIFIED:		APVD	C.A.STERKEN			MODULAR JACK 8 POS.		
0 PLC ± -		PRODUCT SPEC	L.V.SOEST			TOP ENTRY WITH PANEL STOPS		
1 PLC ± -		APPLICATION SPEC	-		PRINTED CIRCUIT BOARD			
2 PLC ± -		WEIGHT	-		SIZE	CAGE CODE	DRAWING NO	RESTRICTED TO
3 PLC ± -		FINISH	SEE SHEET 2		A2	00779	C=216566	-
4 PLC ± -		MATERIAL	SEE SHEET 2		CUSTOMER DRAWING			SCALE
ANGLES ± -				NTS		SHEET	1 OF 2	REV
								N2

THIS DRAWING IS UNPUBLISHED. RELEASED FOR PUBLICATION  
 © COPYRIGHT - By - ALL RIGHTS RESERVED.

LOC	DIST	REVISIONS					
IR	-	P	LTR	DESCRIPTION	DATE	DWN	APVD
		-	-	SEE SHEET 1	-	-	-



PRINTED CIRCUIT BOARD LAYOUT  
 [ VIEW SHOWN IS CIRCUIT (NONCOMPONENT) SIDE OF BOARD. ]  
 TOLERANCES UNLESS OTHERWISE SPECIFIED: ±0,05  
 PRINTED CIRCUIT BOARD THICKNESS: 1,6 mm NOMINAL.

PACKAGING	REMARKS	FINISH	MATERIAL	PARTNUMBER
OBSOLETE	180pcs. IN A TRAY 6 TRAYS IN A BOX	IN CONTACT AREA: 1,2µm MIN.SEL.GOLD OVER 1,2µm MIN.NICKEL	HOUSING: PBT,UL 94-HB COLOR: BLACK  CONTACTS: PHOSPHOR BRONZE	216566-4
	600pcs. ON A 60cm. DIA. REEL.	SOLDER TINES: 2,0µm MIN. TIN OVER 1,2µm MIN. NICKEL	HOUSING: PBT,UL 94V-0 COLOR: BLACK  CONTACTS: PHOSPHOR BRONZE	216566-2
	8 POSITIONS/ 8 CONTACTS.		HOUSING: PBT,UL 94-HB COLOR: BLACK  CONTACTS: PHOSPHOR BRONZE	216566-1

THIS DRAWING IS A CONTROLLED DOCUMENT.		DWN	19JUN90	<b>STE</b> TE Connectivity																	
DIMENSIONS: mm		CHK	-																		
TOLERANCES UNLESS OTHERWISE SPECIFIED:		APVD	-																		
<table border="0"> <tr><td>0 PLC</td><td>±</td><td>-</td></tr> <tr><td>1 PLC</td><td>±</td><td>-</td></tr> <tr><td>2 PLC</td><td>±</td><td>-</td></tr> <tr><td>3 PLC</td><td>±</td><td>-</td></tr> <tr><td>4 PLC</td><td>±</td><td>-</td></tr> <tr><td>ANGLES</td><td>±</td><td>-</td></tr> </table>		0 PLC	±		-	1 PLC	±	-	2 PLC	±	-	3 PLC	±	-	4 PLC	±	-	ANGLES	±	-	NAME
0 PLC	±	-																			
1 PLC	±	-																			
2 PLC	±	-																			
3 PLC	±	-																			
4 PLC	±	-																			
ANGLES	±	-																			
MATERIAL	SEE TABLE	FINISH	SEE TABLE	MODULAR JACK 8 POS. TOP ENTRY WITH PANEL STOPS PRINTED CIRCUIT BOARD																	
WEIGHT		A2 00779		RESTRICTED TO																	
CUSTOMER DRAWING		SCALE NTS SHEET 2 OF 2		REV N2																	

## X-ON Electronics

Largest Supplier of Electrical and Electronic Components

*Click to view similar products for [Modular Connectors / Ethernet Connectors](#) category:*

*Click to view products by [TE Connectivity](#) manufacturer:*

Other Similar products are found below :

[8949-H88/06BLKA/SN](#) [74441-0010/BKN](#) [MP1010RX-1000](#) [MP44RX-1000](#) [PHJ-4P4C-1-V-4](#) [PHP-6P6C-5](#) [GAX-3-66](#) [GAX-8-62](#) [GDCX-PA-66-50](#) [GDCX-PN-64](#) [GDCX-PN-66](#) [GDCX-PN-66-50](#) [GDLX-A-66](#) [GDLX-N-66](#) [GDLX-S-66](#) [GDLX-S-88K](#) [GDTX-S-88-50](#) [GDX-PA-1010](#) [GLX-N-1010M-BLK](#) [GLX-S-88M-BLK](#) [GMX-N-1010](#) [GMX-S-1010](#) [GMX-S-66](#) [GMX-SMT4-N-88](#) [GPX-2-64](#) [GSGX-N-2-88](#) [GSGX-N-4-88](#) [GSX-NS2-88-3.05](#) [GSX-NS2-88-3.05-50](#) [GSX-NS-88-3.05-50](#) [PT-108A-8C-UL](#) [PT-J951-8C](#) [PTS-J531-8CS-50UL](#) [1-1775629-2](#) [A-2014-0-4](#) [GWLX-S-88-GR](#) [GWLX-S9-88-YG](#) [DC-1021-8-WH-6](#) [1300530003](#) [1324640-4](#) [RJ11FTVC2G](#) [RJ11FTVC2N](#) [RJFTVX2SA1G](#) [132764-001](#) [1413235](#) [MP88X-1000](#) [MPS88RX-5000](#) [E5288-S000K3-L](#) [E5908-15A242-L](#) [155302-001](#)