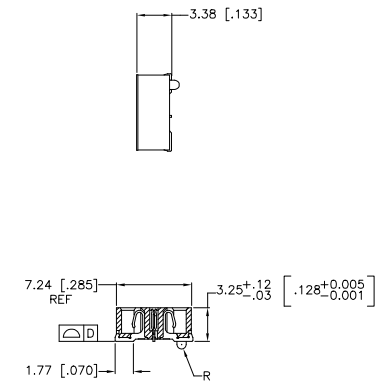
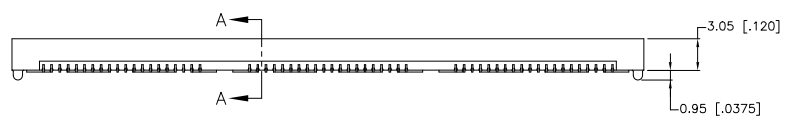
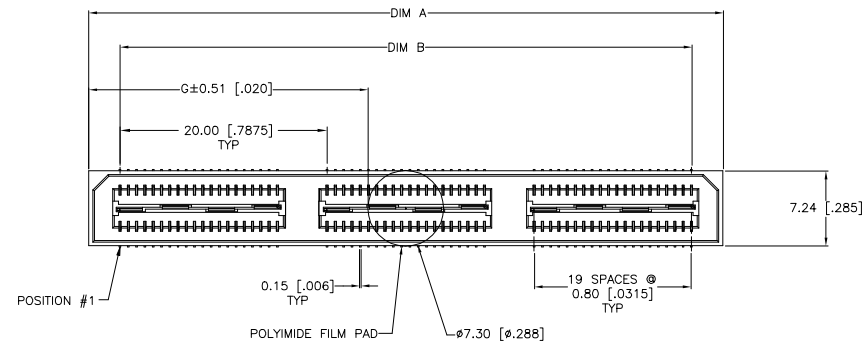
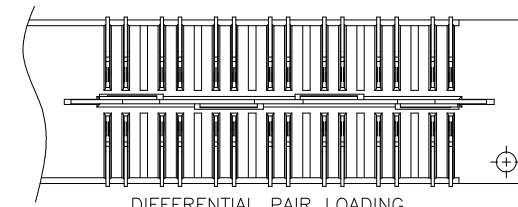
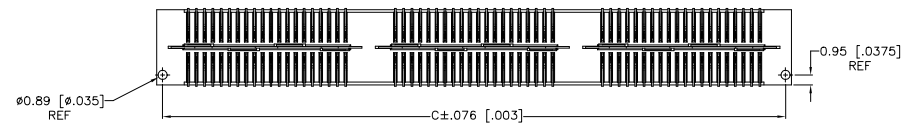


| REVISIONS | | | | | |
|-----------|-----------|---------------------------|----|-----|------|
| # | DATE | DESCRIPTION | BY | CHK | APPV |
| 1 | 29MAY2019 | REVISED PER ECR-19-008349 | AL | HL | |

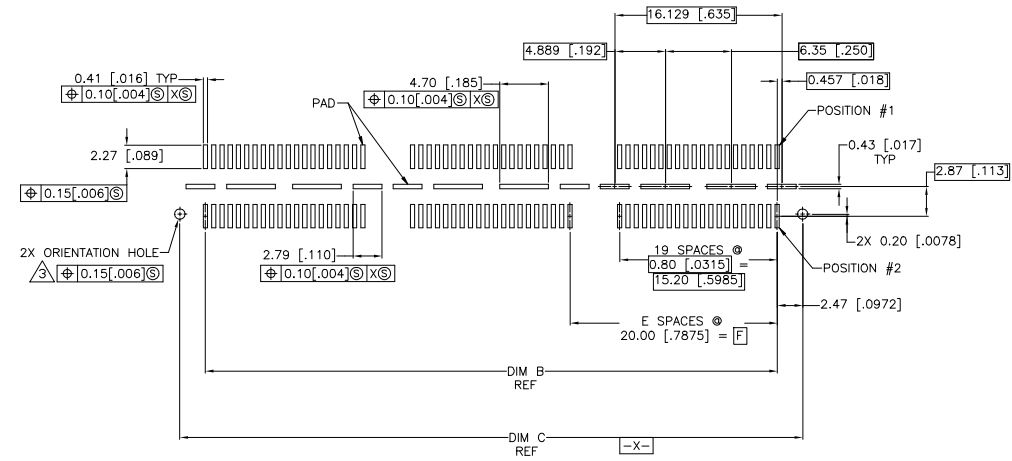
- 1 HOUSING: LCP, BLACK.
CONTACT & GROUND PLANE: PHOS BRONZE.
- 2 CONTACT PLATING: SELECT 0.25 MICROMETERS (.000010 IN) MIN. GOLD.
- 3 FOR STANDARD APPLICATIONS, ORIENTATION HOLE TO BE Ø1.02 [Ø.0400].
- 4 OBSOLETE PARTS: OBSOLETE CIS STREAMLINING PER D.RENAUD/D.SINISI



SECTION A-A



DIFFERENTIAL PAIR LOADING (BOTTOM VIEW) SCALE 2:1



RECOMMENDED PC BOARD LAYOUT VIEWED FROM CONNECTOR SIDE

| | | | | | | | | | | | |
|--------------|--------------|---|--------------|---------------|--------------|---------------|-----|--------------------|-----|-----|-------------|
| 26.99(1.063) | 40.00(1.575) | 2 | 0.152(.0060) | 60.13(2.368) | 55.20(2.173) | 61.28(2.412) | YES | POCKET TAPE | YES | 84 | 7-1658012-3 |
| 16.98(.669) | 20.00(.7874) | 1 | 0.102(.0040) | 40.13(1.580) | 35.20(1.386) | 41.28(1.625) | YES | POCKET TAPE | YES | 56 | 7-1658012-2 |
| 6.99(.275) | 0(.000) | 0 | 0.102(.0040) | 20.13(.793) | 15.20(.598) | 21.29(.838) | YES | POCKET TAPE | YES | 28 | 7-1658012-1 |
| 26.99(1.063) | 40.00(1.575) | 2 | 0.152(.0060) | 60.13(2.368) | 55.20(2.173) | 61.28(2.412) | YES | POCKET TAPE | NO | 120 | 6-1658012-3 |
| 16.98(.669) | 20.00(.7874) | 1 | 0.102(.0040) | 40.13(1.580) | 35.20(1.386) | 41.28(1.625) | YES | POCKET TAPE | NO | 80 | 6-1658012-2 |
| 6.99(.275) | 0(.000) | 0 | 0.102(.0040) | 20.13(.793) | 15.20(.598) | 21.29(.838) | YES | POCKET TAPE | NO | 40 | 6-1658012-1 |
| - | 40.00(1.575) | 2 | 0.152(.0060) | 60.13(2.368) | 55.20(2.173) | 61.28(2.412) | NO | POCKET TAPE | YES | 84 | 5-1658012-3 |
| - | 20.00(.7874) | 1 | 0.102(.0040) | 40.13(1.580) | 35.20(1.386) | 41.28(1.625) | NO | POCKET TAPE | YES | 56 | 5-1658012-2 |
| - | 0(.000) | 0 | 0.102(.0040) | 20.13(.793) | 15.20(.598) | 21.29(.838) | NO | POCKET TAPE | YES | 28 | 5-1658012-1 |
| - | 40.00(1.575) | 2 | 0.152(.0060) | 60.13(2.368) | 55.20(2.173) | 61.28(2.412) | NO | POCKET TAPE | NO | 120 | 4-1658012-3 |
| - | 20.00(.7874) | 1 | 0.102(.0040) | 40.13(1.580) | 35.20(1.386) | 41.28(1.625) | NO | POCKET TAPE | NO | 80 | 4-1658012-2 |
| - | 0(.000) | 0 | 0.102(.0040) | 20.13(.793) | 15.20(.598) | 21.29(.838) | NO | POCKET TAPE | NO | 40 | 4-1658012-1 |
| 47.00(1.850) | 80.00(3.150) | 4 | 0.152(.0060) | 100.14(3.943) | 95.20(3.748) | 101.30(3.988) | YES | TRAY | YES | 140 | 3-1658012-5 |
| 36.99(1.456) | 60.00(2.362) | 3 | 0.152(.0060) | 80.14(3.155) | 75.20(2.961) | 81.28(3.200) | YES | TRAY | YES | 112 | 3-1658012-4 |
| 26.99(1.063) | 40.00(1.575) | 2 | 0.152(.0060) | 60.13(2.368) | 55.20(2.173) | 61.28(2.412) | YES | TRAY | YES | 84 | 3-1658012-3 |
| 16.98(.669) | 20.00(.7874) | 1 | 0.102(.0040) | 40.13(1.580) | 35.20(1.386) | 41.28(1.625) | YES | TRAY | YES | 56 | 3-1658012-2 |
| 6.99(.275) | 0(.000) | 0 | 0.102(.0040) | 20.13(.793) | 15.20(.598) | 21.29(.838) | YES | TRAY | YES | 28 | 3-1658012-1 |
| 47.00(1.850) | 80.00(3.150) | 4 | 0.152(.0060) | 100.14(3.943) | 95.20(3.748) | 101.30(3.988) | YES | TRAY | NO | 200 | 2-1658012-5 |
| 36.99(1.456) | 60.00(2.362) | 3 | 0.152(.0060) | 80.14(3.155) | 75.20(2.961) | 81.28(3.200) | YES | TRAY | NO | 160 | 2-1658012-4 |
| 26.99(1.063) | 40.00(1.575) | 2 | 0.152(.0060) | 60.13(2.368) | 55.20(2.173) | 61.28(2.412) | YES | TRAY | NO | 120 | 2-1658012-3 |
| 16.98(.669) | 20.00(.7874) | 1 | 0.102(.0040) | 40.13(1.580) | 35.20(1.386) | 41.28(1.625) | YES | TRAY | NO | 80 | 2-1658012-2 |
| 6.99(.275) | 0(.000) | 0 | 0.102(.0040) | 20.13(.793) | 15.20(.598) | 21.29(.838) | YES | TRAY | NO | 40 | 2-1658012-1 |
| - | 80.00(3.150) | 4 | 0.152(.0060) | 100.14(3.943) | 95.20(3.748) | 101.30(3.988) | NO | TRAY | YES | 140 | 1-1658012-5 |
| - | 60.00(2.362) | 3 | 0.152(.0060) | 80.14(3.155) | 75.20(2.961) | 81.28(3.200) | NO | TRAY | YES | 112 | 1-1658012-4 |
| - | 40.00(1.575) | 2 | 0.152(.0060) | 60.13(2.368) | 55.20(2.173) | 61.28(2.412) | NO | TRAY | YES | 84 | 1-1658012-3 |
| - | 20.00(.7874) | 1 | 0.102(.0040) | 40.13(1.580) | 35.20(1.386) | 41.28(1.625) | NO | TRAY | YES | 56 | 1-1658012-2 |
| - | 0(.000) | 0 | 0.102(.0040) | 20.13(.793) | 15.20(.598) | 21.29(.838) | NO | TRAY | YES | 28 | 1-1658012-1 |
| - | 80.00(3.150) | 4 | 0.152(.0060) | 100.14(3.943) | 95.20(3.748) | 101.30(3.988) | NO | TRAY | NO | 200 | 1658012-5 |
| - | 60.00(2.362) | 3 | 0.152(.0060) | 80.14(3.155) | 75.20(2.961) | 81.28(3.200) | NO | TRAY | NO | 160 | 1658012-4 |
| - | 40.00(1.575) | 2 | 0.152(.0060) | 60.13(2.368) | 55.20(2.173) | 61.28(2.412) | NO | TRAY | NO | 120 | 1658012-3 |
| - | 20.00(.7874) | 1 | 0.102(.0040) | 40.13(1.580) | 35.20(1.386) | 41.28(1.625) | NO | TRAY | NO | 80 | 1658012-2 |
| - | 0(.000) | 0 | 0.102(.0040) | 20.13(.793) | 15.20(.598) | 21.29(.838) | NO | TRAY | NO | 40 | 1658012-1 |
| G | F | E | D | C | B | A | | POLYIMIDE FILM PAD | | | |

THIS DRAWING IS A CONTROLLED DOCUMENT.

DWG. NO. MCMMASTER 180024
 DWG. NO. DIXON 180024
 DWG. NO. DIXON 180024

DIMENSIONS: mm (INCHES)
 DIMENSIONS: mm (INCHES)
 DIMENSIONS: mm (INCHES)
 DIMENSIONS: mm (INCHES)
 DIMENSIONS: mm (INCHES)

MATERIAL: POLYIMIDE FILM PAD

WEIGHT: -

SCALE: 4:1

DATE: 00779

DRAWING NO: C-1658012

SHEET 1 OF 1

REV N

TE Connectivity
 RECEPTACLE ASSEMBLY, VERTICAL
 0.80MM CL.

X-ON Electronics

Largest Supplier of Electrical and Electronic Components

Click to view similar products for [Board to Board & Mezzanine Connectors](#) category:

Click to view products by [TE Connectivity](#) manufacturer:

Other Similar products are found below :

[589158040000018](#) [MDF7C-18P-2.54DSA\(55\)](#) [FCN-230C068-11](#) [FCN-268F012-G/BD](#) [FCN-268F036-G/BD](#) [FCN-268M012-G/0D](#) [FCN-268M024-G/1D](#) [FCN-723J004/1](#) [MIS-048-01-F-D-DP-K](#) [832-10-034-10-001000](#) [FX4C-80S-1.27DSA](#) [FCN-214Q030-G/0](#) [FCN-234P048-G/0](#) [FCN-235D050-G/C](#) [210-93-314-41-105000](#) [2-22603-0](#) [MDF7-40DP-2.54DSA\(55\)](#) [AXG720047](#) [5031084030](#) [MIT-114-03-F-D-K](#) [55323-1519](#) [DF33-2P-3.3DSA\(24\)](#) [YFT-20-05-H-03-SB-K](#) [503308-3040](#) [026-6203-PDB](#) [027-6203-PDB](#) [069159702701000](#) [10123981-102LF](#) [101A10019X](#) [55650-0588-C](#) [68684-306](#) [75140-7012](#) [589159005003045](#) [194261-1](#) [FCN-268F024-G0D](#) [10124054-515LF](#) [68685-603](#) [8-1616154-3](#) [MIS-019-01-F-D](#) [589159005002045](#) [541371078](#) [IL-WX-10PB-HF-B-E1000E](#) [FCN-268M024-G/3D](#) [20021832-06016C1LF](#) [KX15-20KLDL-E1000E](#) [MDF7-16DP-2.54DSA\(55\)](#) [AXE810124](#) [FCN-214J100-G/0](#) [FCN-230C068-E/S](#) [AXE812124](#)