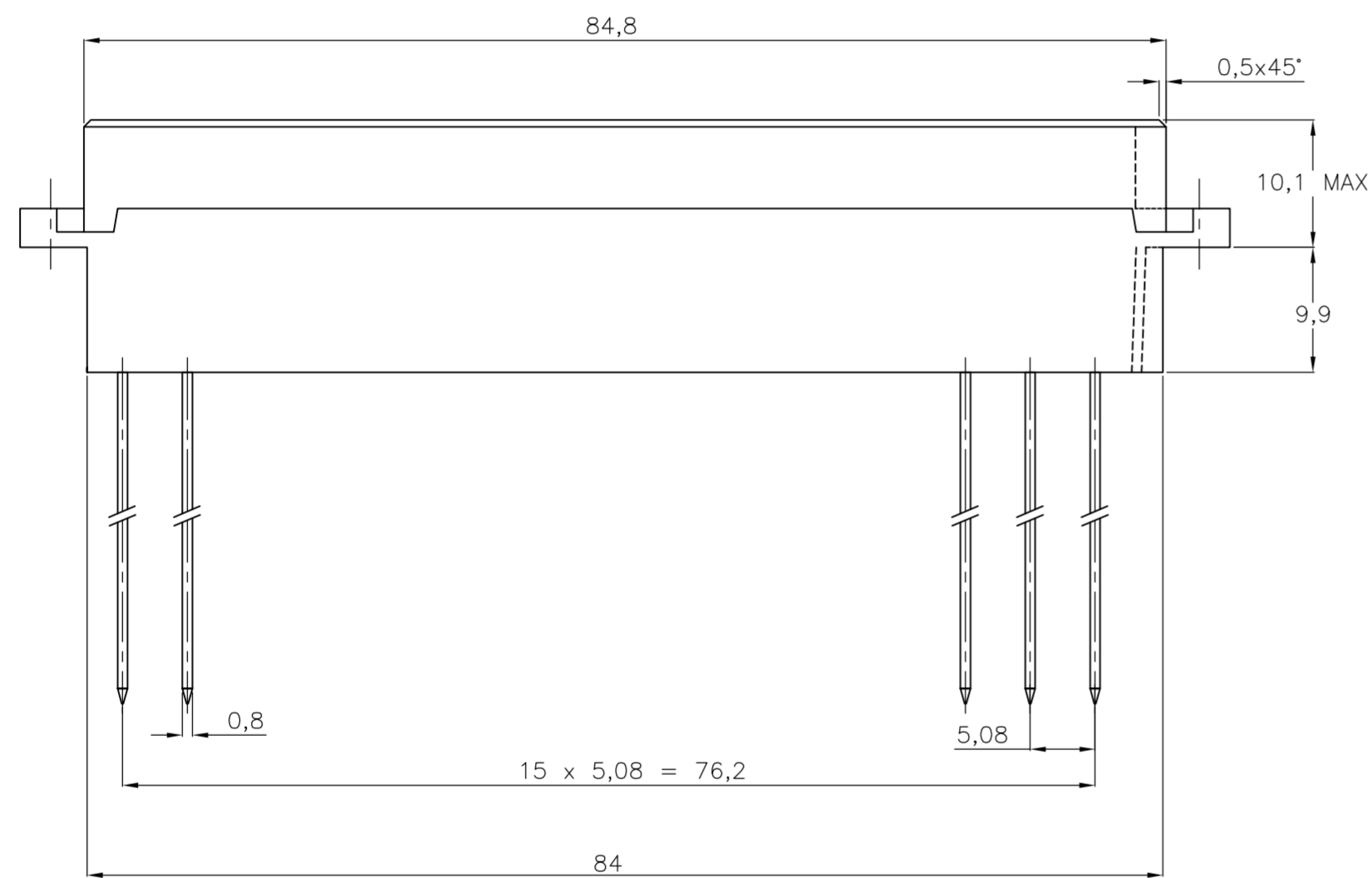
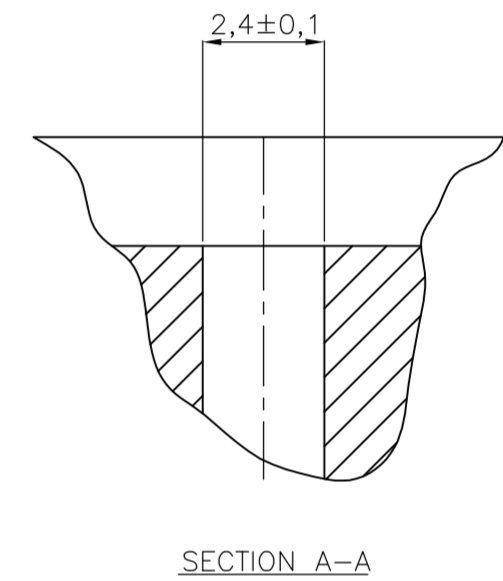
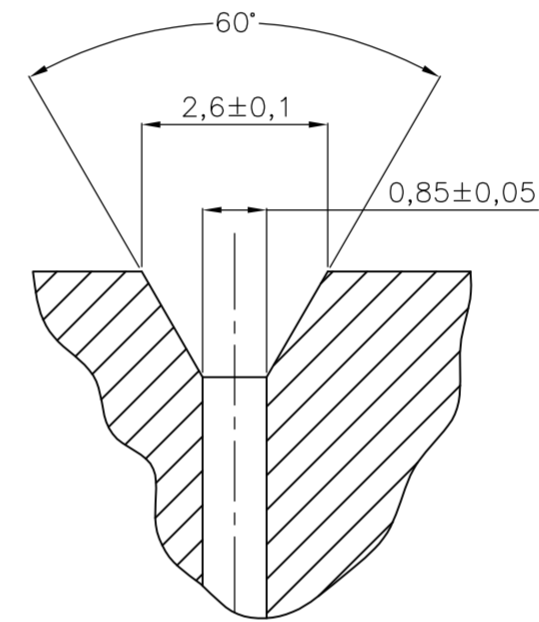
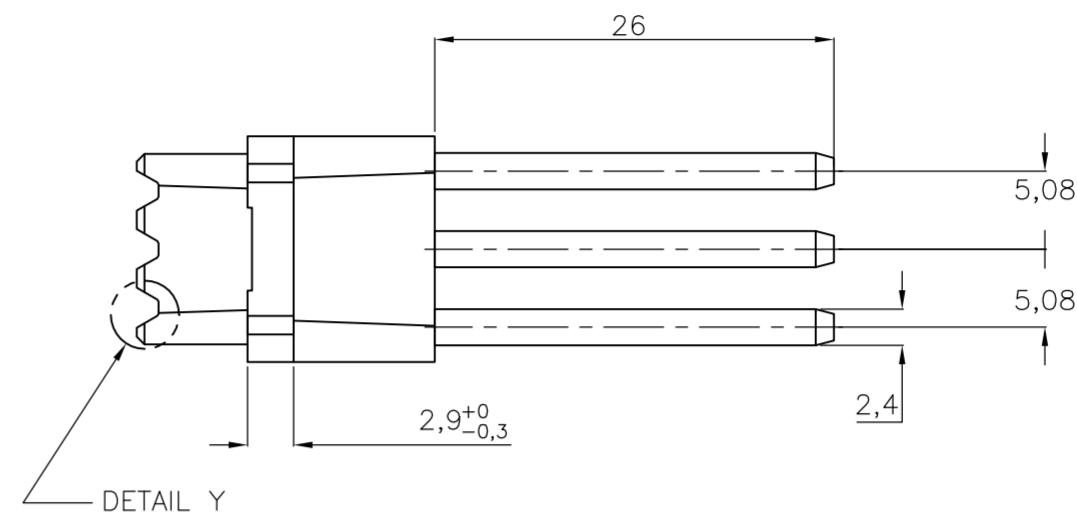
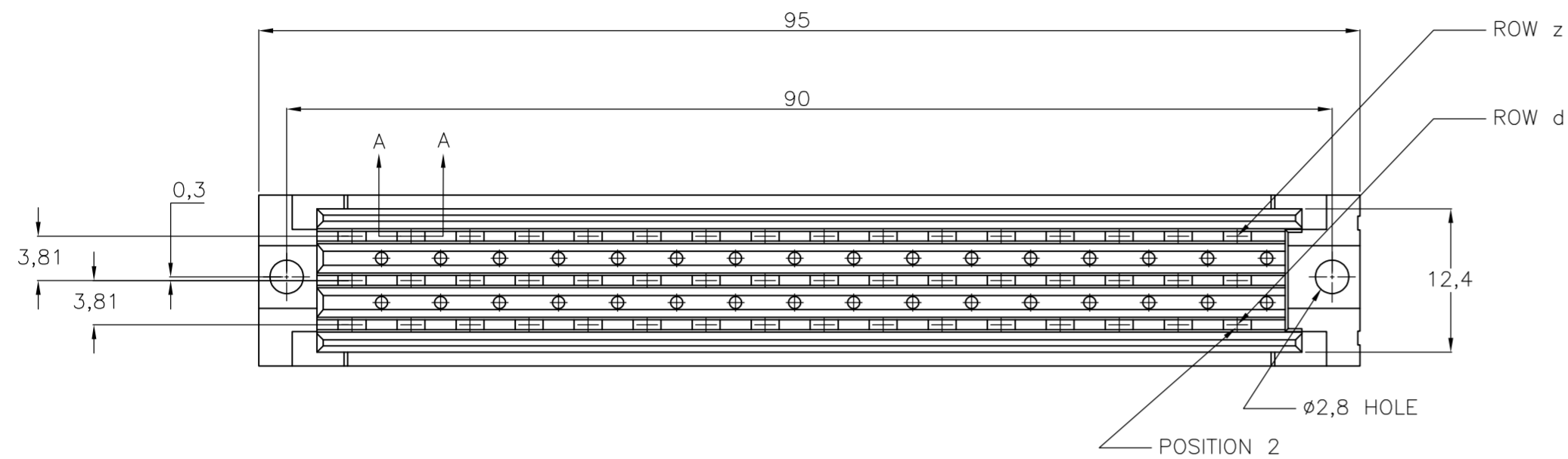


THIS DRAWING IS UNPUBLISHED. RELEASED FOR PUBLICATION  
 © COPYRIGHT BY TYCO ELECTRONICS CORPORATION. ALL INTERNATIONAL RIGHTS RESERVED.

LOC	DIST	REVISIONS			
P	LTR	DESCRIPTION	DATE	DWN	APVD
	A	-	-	-	-
	F	ECR-07-020965	05-02-09	AEG	MKO



POS	2	4	6	8	10	12	14	16	18	20	22	24	26	28	30	32
ROW z	X	X	X	X	X	X	X	X	X	X	X	X	X	X	X	X
ROW d	X	X	X	X	X	X	X	X	X	X	X	X	X	X	X	X

AN ASTERISK X DENOTES A CONTACT.

OBSOLETE	2-166010-8	HOUSING: CLASSIFIED POLYCARBONATE (GREY)  CONTACTS: PHOSPHORBRONZE	AT CONTACT AREA 0,4 μm Au OVER 1,25 μm Ni. AT POST AREA GOLDFLASH OVER 1,25 μm Ni.
OBSOLETE	2-166010-7		AT CONTACT AREA 2,0 μm Au OVER 1,25 μm Ni. AT POST AREA GOLDFLASH OVER 1,25 μm Ni.
OBSOLETE	2-166010-6		AT CONTACT AREA 3,75 μm Au OVER 1,25 μm Ni. AT POST AREA GOLDFLASH OVER 1,25 μm Ni.
OBSOLETE	2-166010-4		AT CONTACT AREA 0,8 μm Au OVER 1,25 μm Ni. AT POST AREA GOLDFLASH OVER 1,25 μm Ni.
	2-166010-1		AT CONTACT AREA 1,25 μm Au OVER 1,25 μm Ni. AT POST AREA GOLDFLASH OVER 1,25 μm Ni.
	ORDER No.	MATERIAL	PLATING

THIS DRAWING IS A CONTROLLED DOCUMENT.		DWN A.J.L. AMBAUM 25.08.95	Tyco Electronics Corporation 's-Hertogenbosch, Nederland	
DIMENSIONS: INCHES		CHK J.GIBBELS	NAME 48 POS. FEMALE RC CONN. ACC. TO DIN 41612, F.48F-CIM WITH MAXI TERMI POINT POSTS	
TOLERANCES UNLESS OTHERWISE SPECIFIED: 0 PLC ± - 1 PLC ± - 2 PLC ± - 3 PLC ± - 4 PLC ± - ANGLES ± -		APVD -	PRODUCT SPEC -	APPLICATION SPEC -
MATERIAL	FINISH	WEIGHT -	SIZE A2	CAGE CODE 00779
		DRAWING NO C=166010		RESTRICTED TO -
CUSTOMER DRAWING			SCALE NTS	SHEET 1 of 1
			REV F	

## X-ON Electronics

Largest Supplier of Electrical and Electronic Components

*Click to view similar products for [Barrier Terminal Blocks](#) category:*

*Click to view products by [TE Connectivity](#) manufacturer:*

Other Similar products are found below :

[CR151D20104](#) [670A-RZ-15-KT20](#) [6C1N03](#) [6PCR-02](#) [6PCR-02-008](#) [6PCR-05-008](#) [6PCR-08-008](#) [6PCR-09-008](#) [6PCR-13-006](#) [6PCR-15-006](#) [6PCR-21-006](#) [6PCV-06-008](#) [6PCV-06-716](#) [6PCV-09-001](#) [6PCV-10-009](#) [6PCV-15-008](#) [6PCV-17-1206](#) [6PCV-20-323](#) [6PCV-20-720](#) [6PCV-30-006](#) [6STR-06-006](#) [6STR-08-006](#) [6STR-12-008](#) [6STR-13-006](#) [6STR-14-008](#) [6STR-16-008](#) [6STR-17-008](#) [6STR-21-008](#) [6STR-25-008](#) [6STR-27-008](#) [6STV-03-006](#) [6STV-03-008](#) [6STV-04-006](#) [6STV-09-006](#) [6STV-10-006](#) [6WWR-03-693](#) [6WWV-12-008](#) [72212603](#) [72504-C-50](#) [72506-C](#) [72507-C-50](#) [73203](#) [75505-C](#) [75505-C-50](#) [75510-C](#) [77010-50](#) [7C1N08](#) [812-GP-3/4ST-09](#) [8-1437402-5](#) [8PCR-06-006](#)