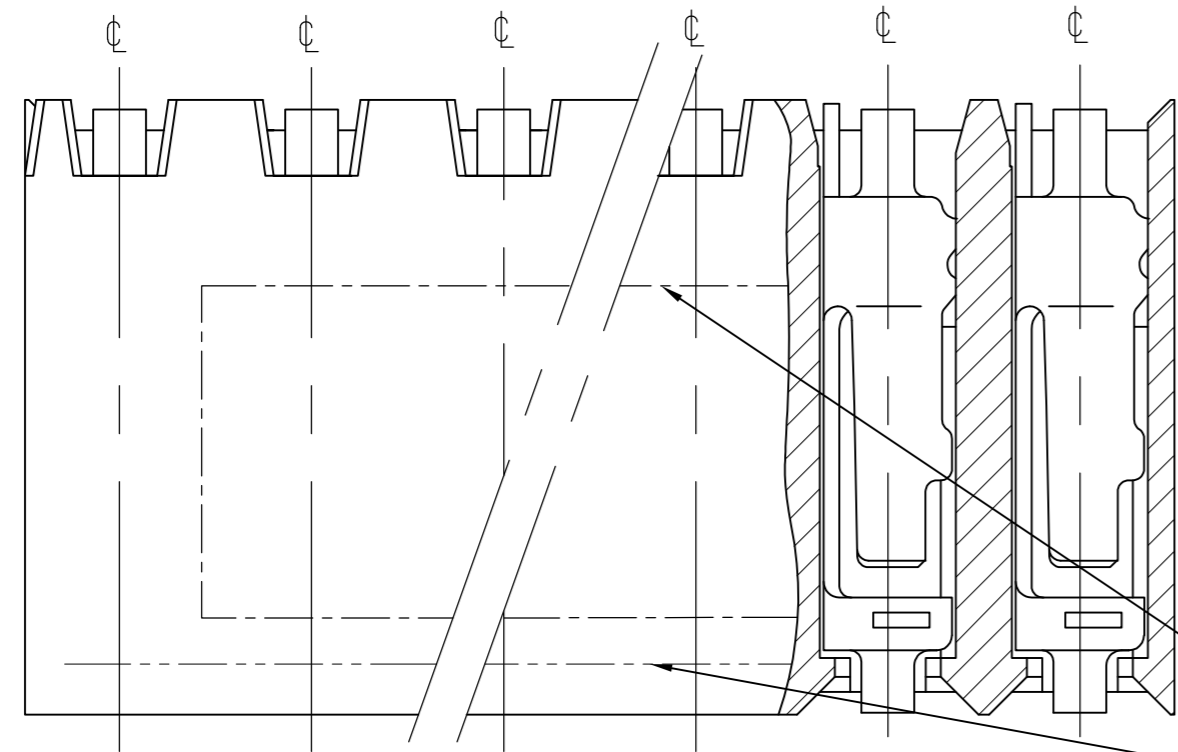


THIS DRAWING IS UNPUBLISHED. RELEASED FOR PUBLICATION
 © COPYRIGHT - By - ALL RIGHTS RESERVED.

LOC		DIST		REVISIONS			
P	LTR	DESCRIPTION	DATE	DWN	APVD		
IR	-	H6	PART STATUS UPDATED IN PART LIST TABLE	30MAY2014	KJK	JK	

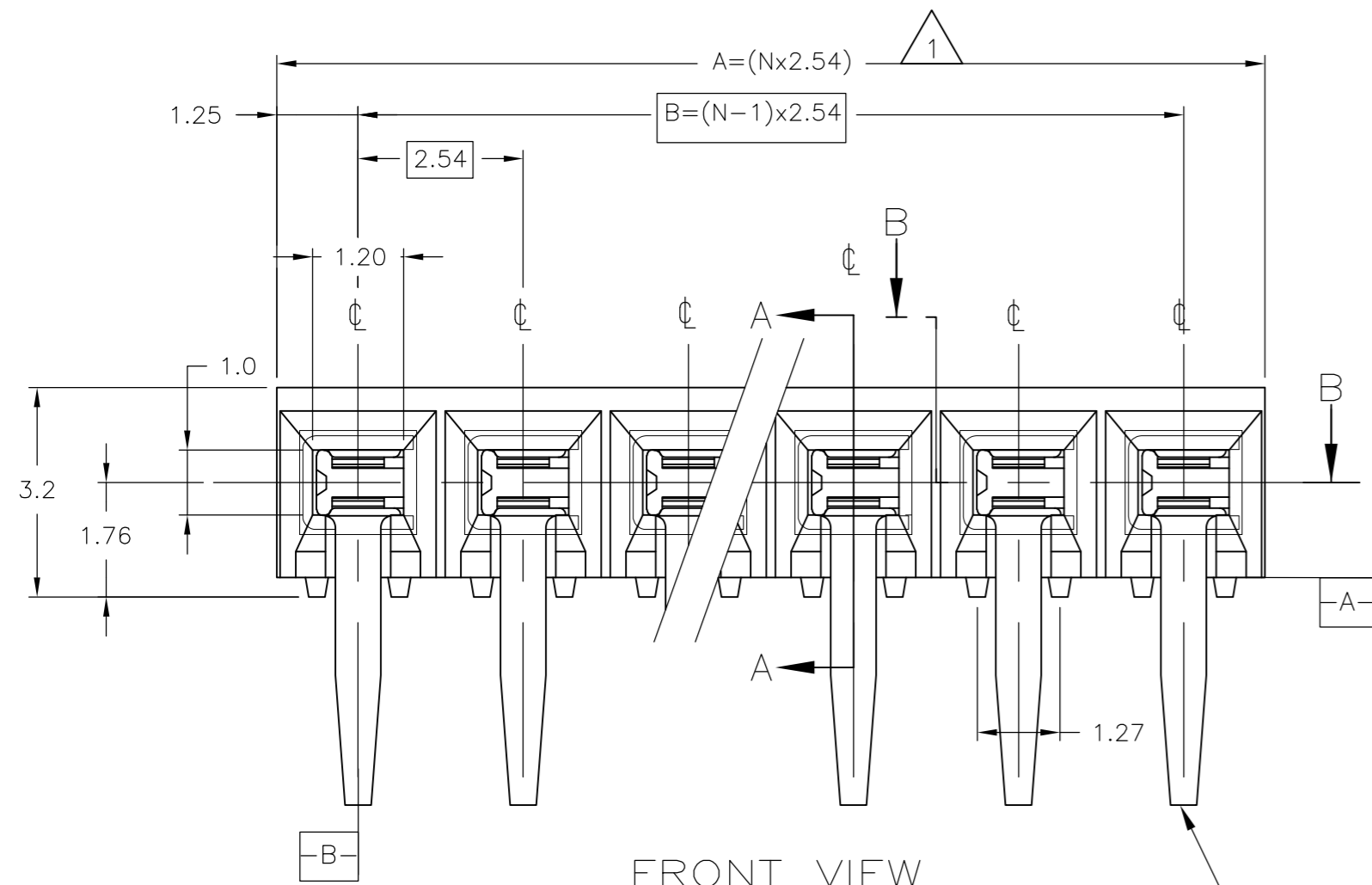


SECTION B-B/TOPVIEW

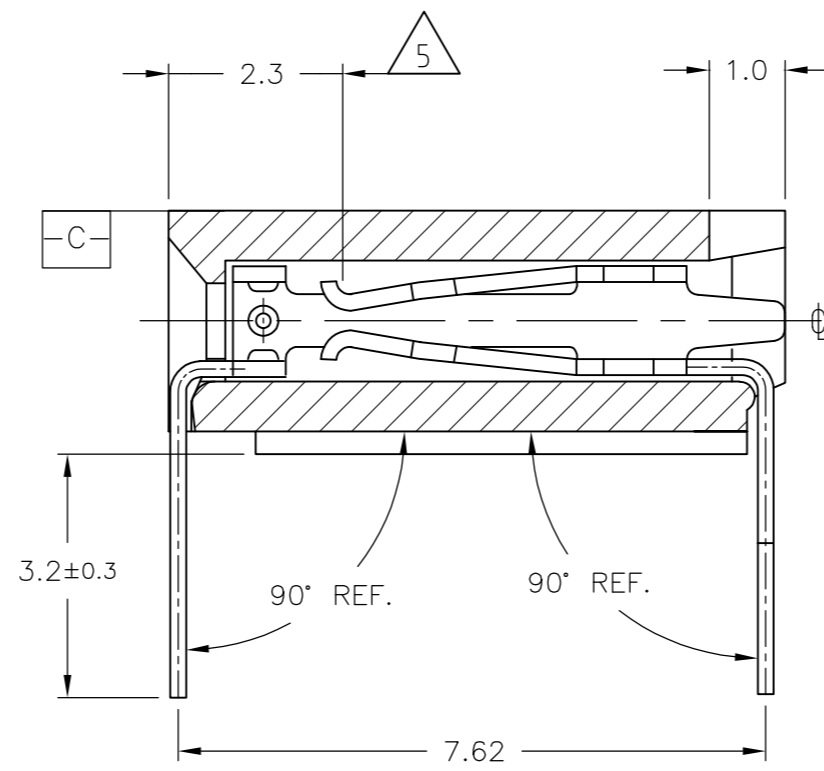
PART NUMBER	'N' POS. PER ROW	DIMENSIONS	
		A	B
216602-2	2	5.08	2.54
216602-3	3	7.62	5.08
216602-4	4	10.16	7.62
216602-5	5	12.70	10.16
216602-6	6	15.24	12.70
216602-7	7	17.78	15.24
216602-8	8	20.32	17.78
1-216602-0	10	25.40	22.86
1-216602-2	12	30.48	27.94
OBSOLETE 1-216602-3	13	33.02	30.48
1-216602-4	14	35.56	33.02
1-216602-6	16	40.64	38.10
2-216602-0	20	50.80	48.26
OBSOLETE 2-216602-3	23	58.42	55.88
2-216602-4	24	60.96	58.42
2-216602-6	26	66.04	63.50
OBSOLETE 2-216602-9	29	73.66	71.12
3-216602-1	31	78.74	76.20
3-216602-6	36	91.44	88.90
3-216602-8	38	96.52	93.98
5-216602-0	50	127.00	124.46
5-216602-1	51	129.54	127.00

NOTES:

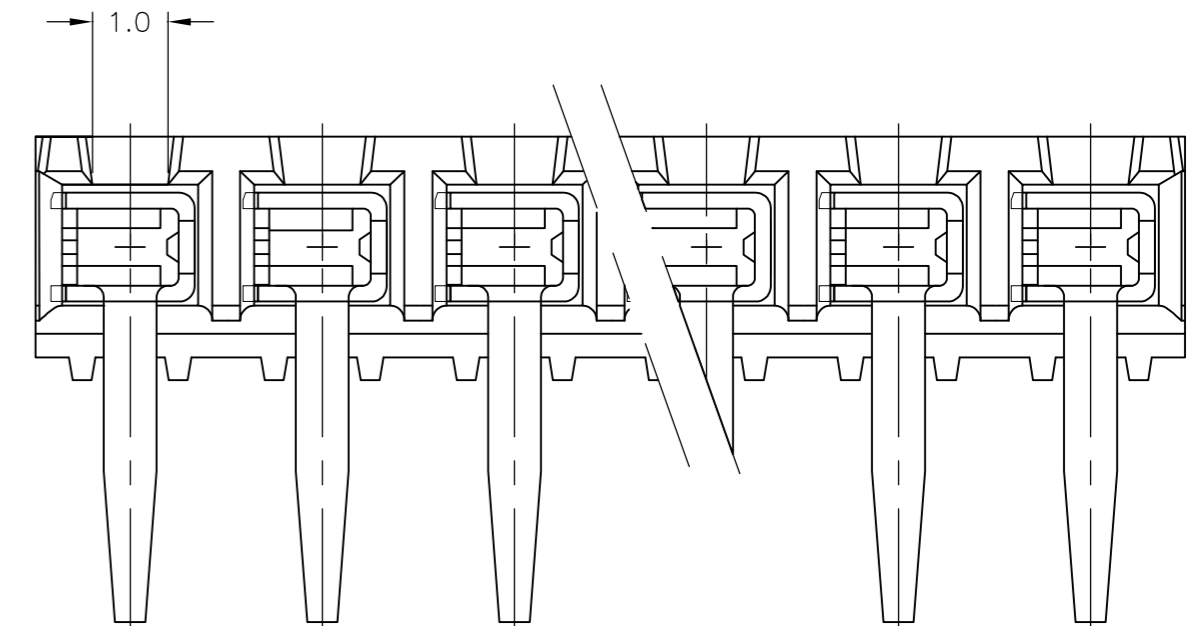
- 1 TO DETERMINE DIMENSION TAKE N= NR. OF POS FOR EXAMPLE, 10 POS., $N \times 2.54 = 25.4\text{mm}$. FOR ORDER NR. USE BASIC NR. + NR. OF POS. FOR EXAMPLE, 2 POS.= 216602-2 (SHORTEST VERSION) 65 POS.= 6-216602-5 (LONGEST VERSION)
- 2 HOUSING MATERIAL, GREEN GLASS FILLED POLYESTER, UL 94V-0 CONTACT MATERIAL, PHOSPHOR BRONZE.
- 3 PLATING, UNDER COATING, 1.3µm Ni AT CONTACT PLACE, 0.8µm Au AT SOLDER-TINES, 3.0-5.0µm TIN
- 4 MATES WITH 0.63 SQUARE/ROUND MODU POSTS
- 5 CONTACT POINT
- 6 RECOMMENDED P.C.BOARD THICKNESS 1.6mm
- 7 PRINTED: THE WORD "TE" [FOR 2 TO 6 POS] THE WORD "TE" & PRODUCTION DATE [FOR 7 TO 12 POS] THE WORD "TE", PRODUCTION DATE & BASIC PART NO. [FOR 13 TO 65 POS] AND A DASHED LINE OVER THE LENGTH OF HOUSING TO INDICATE CONTACT MATING SIDE.



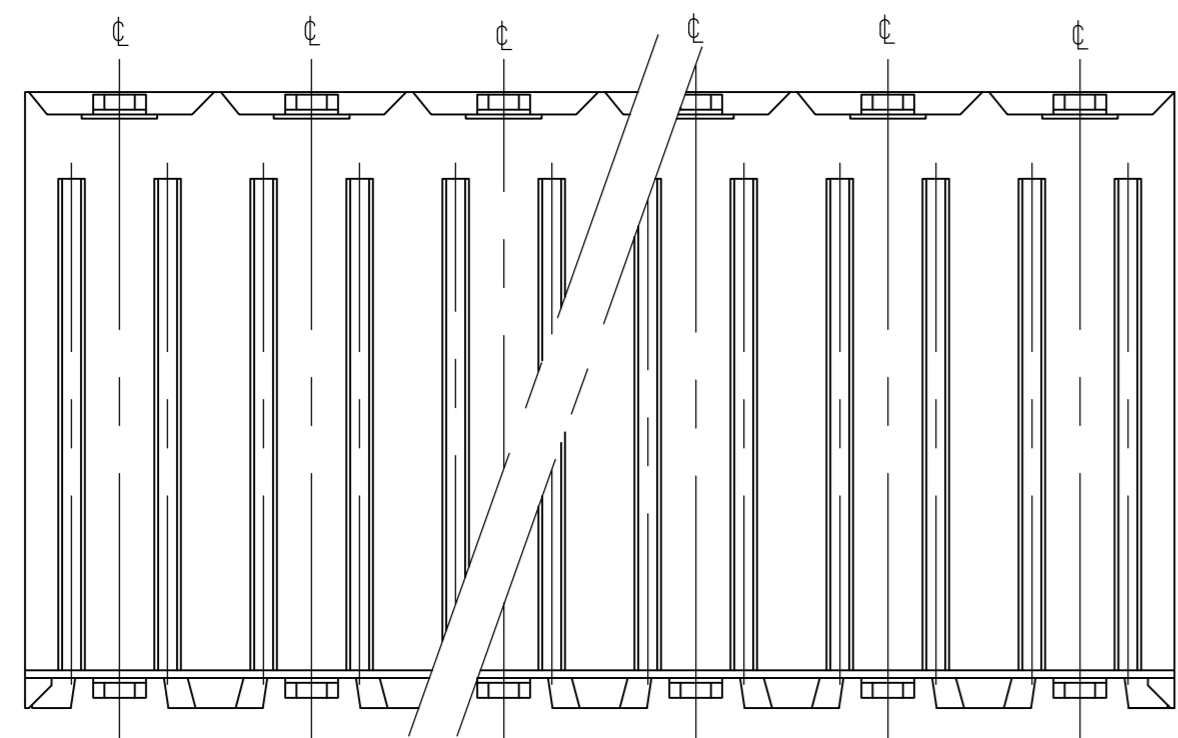
FRONT VIEW



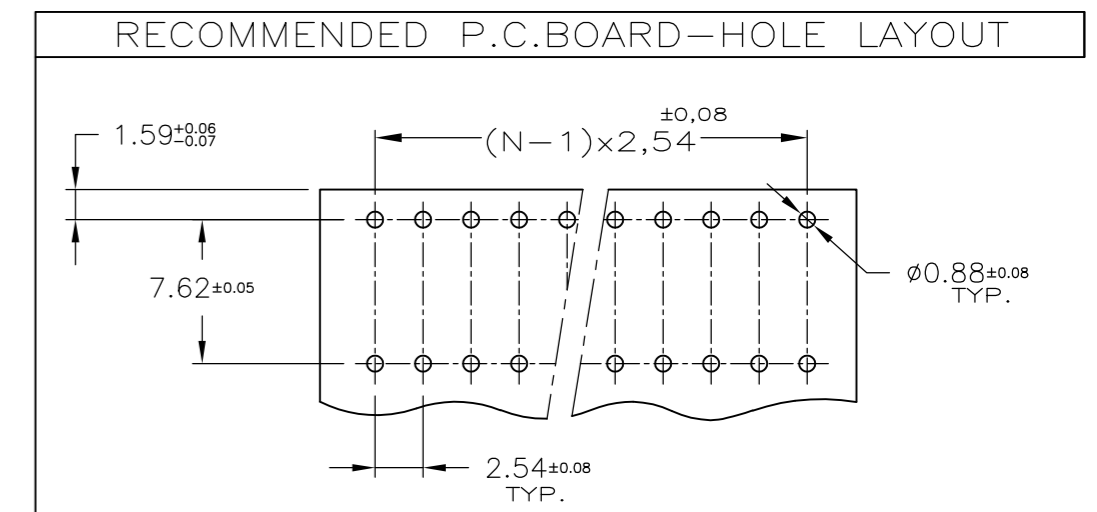
SECTION A-A



REAR VIEW



BOTTOM VIEW



THIS DRAWING IS A CONTROLLED DOCUMENT.		DWN	W.R.ANNOKKEE	19/12/91		TE Connectivity		
DIMENSIONS: mm		CHK	R.T.DE BLIECK	19/12/91		NAME		
TOLERANCES UNLESS OTHERWISE SPECIFIED: ±0.15		APVD	R.SMEETS	19/12/91		PRODUCT SPEC		
0 PLC ± - 1 PLC ± - 2 PLC ± - 3 PLC ± - 4 PLC ± - ANGLES ± -		APPLICATION SPEC		108-19072		HV 190 HOR. ASSY SINGLE ROW, GOLD VERSION, MAX. 65 POSITION		
MATERIAL	FINISH	WEIGHT	-		SIZE	CAGE CODE	DRAWING NO	RESTRICTED TO
2	3	CUSTOMER DRAWING		A2	00779	C=216602	-	
SCALE				10:1	SHEET		1 OF 1	REV
						H6		

X-ON Electronics

Largest Supplier of Electrical and Electronic Components

Click to view similar products for [Headers & Wire Housings](#) category:

Click to view products by [TE Connectivity](#) manufacturer:

Other Similar products are found below :

[892-18-020-10-001101](#) [58102-G61-06LF](#) [582553-1](#) [0009485154](#) [009176003701906](#) [0050291907](#) [LY20-4P-DT1-P1E-BR](#) [02.125.8002.8](#)
[609-3404](#) [61062-3](#) [61082-181009](#) [622-3653LF](#) [63453-116](#) [636-1030](#) [636-1427](#) [636-3427](#) [636-4007](#) [641938-9](#) [641991-4](#) [644827-2](#) [65817-010LF](#) [65817-015LF](#) [65863-015LF](#) [66207-023LF](#) [67095-007LF](#) [67601157](#) [68645-018](#) [68648-049](#) [70.362.1628.0](#) [70-4210](#) [70-4226B](#) [70-4853B](#) [707-5020](#) [707-5028](#) [71.350.2428.0](#) [71918-208LF](#) [71961-016LF](#) [733-134](#) [733-162](#) [754199-000](#) [760-3052](#) [787-8014-00](#) [79531-3000](#)
[FCN-360C032-B](#) [FCN-367T-T012/H](#) [FCN-723D010/2](#) [80.063.4001.1](#) [800-90-001-10-001000](#) [800-90-010-10-002000](#) [801-43-002-10-013000](#)