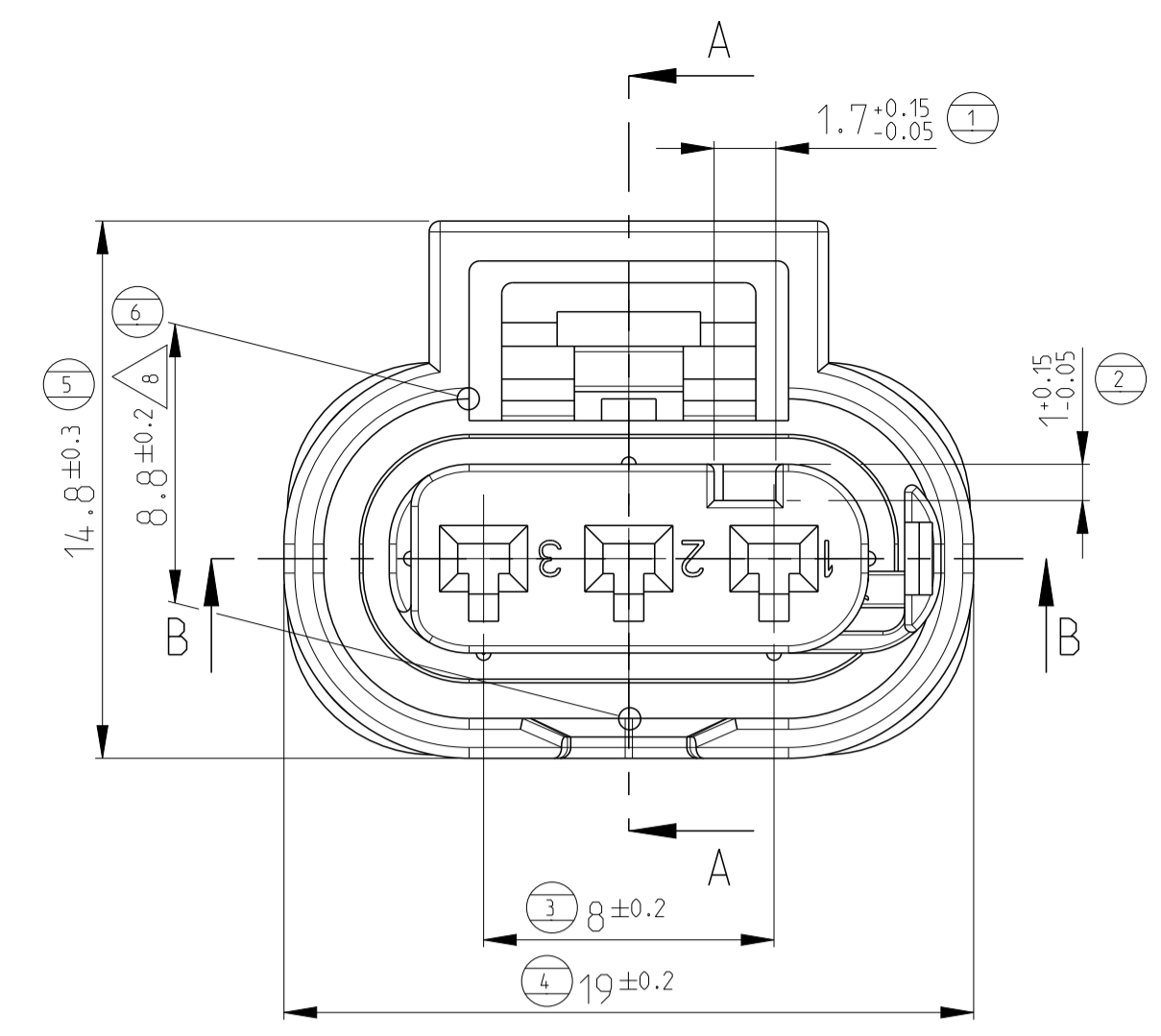
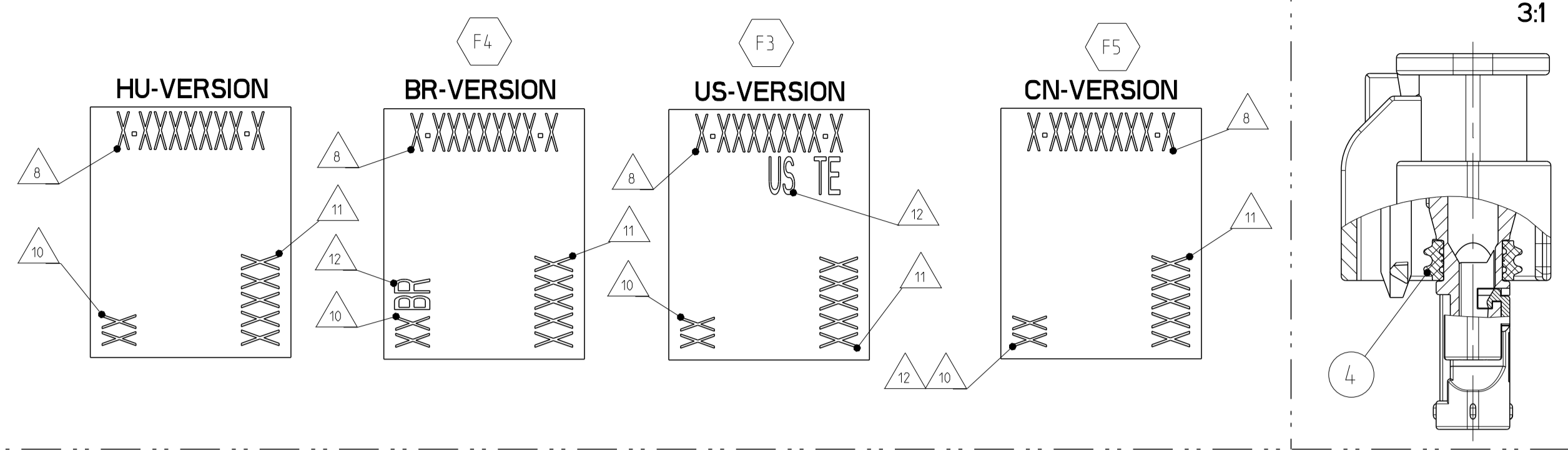
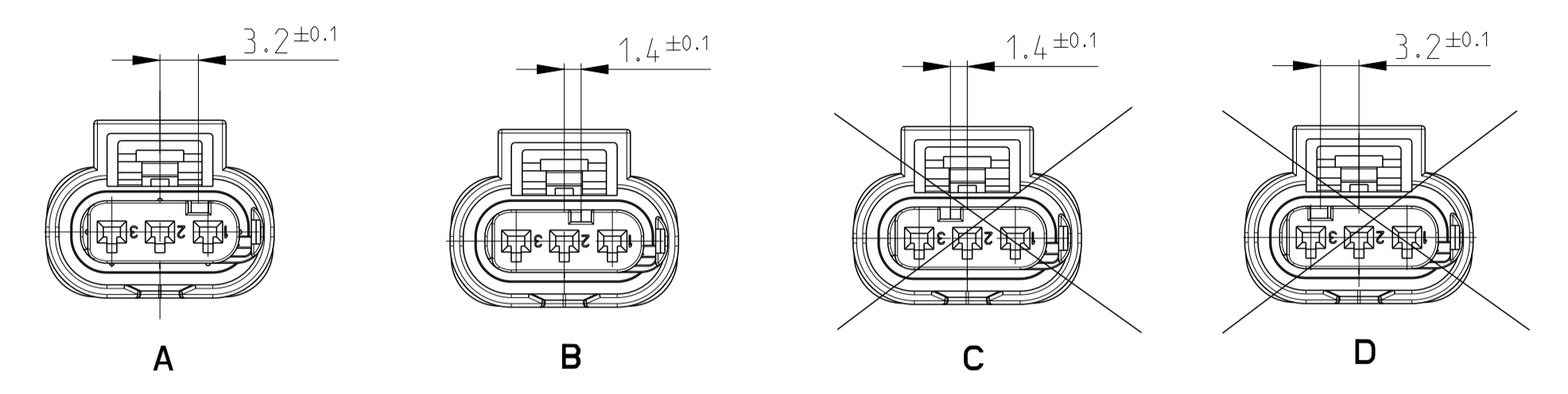


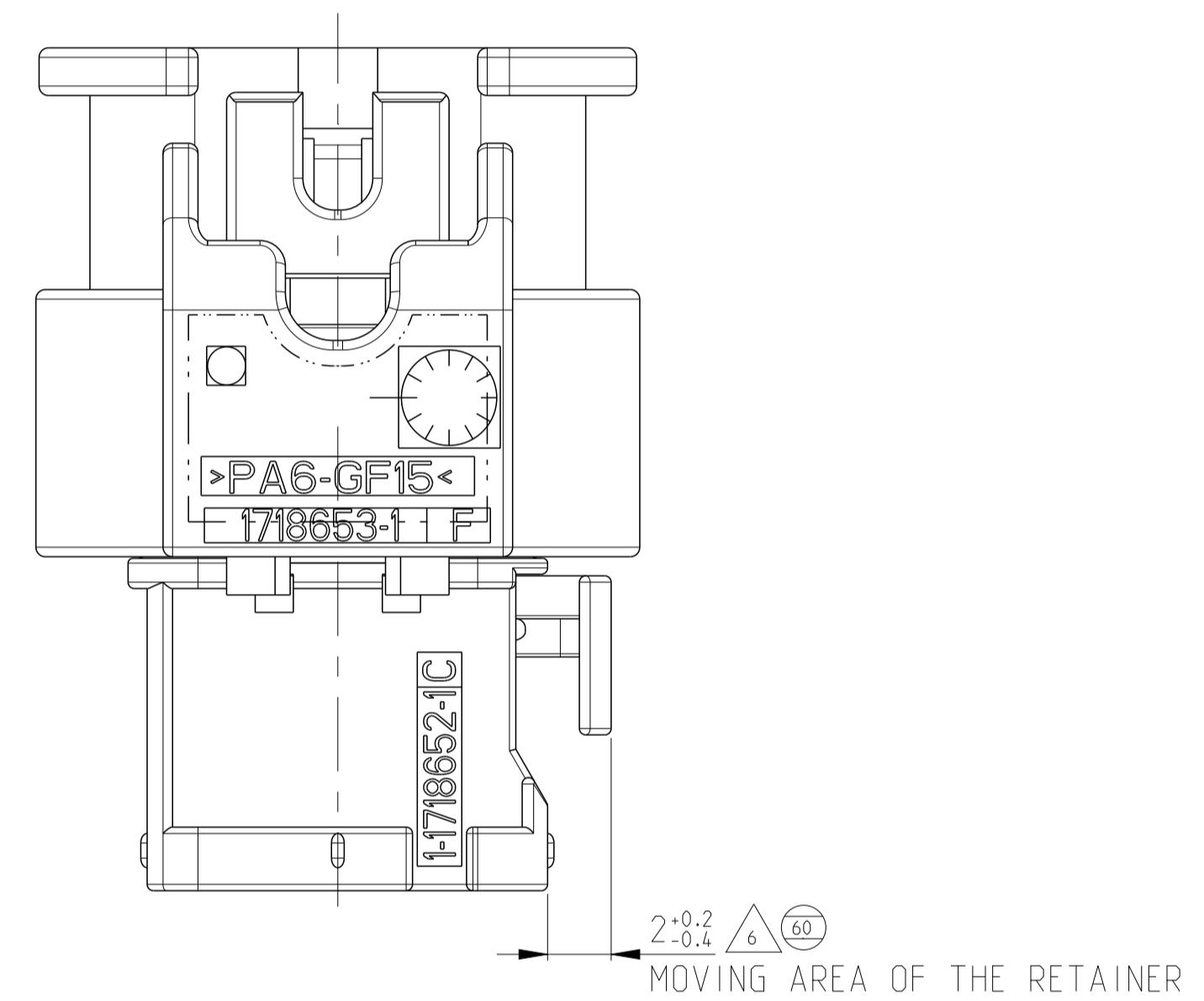
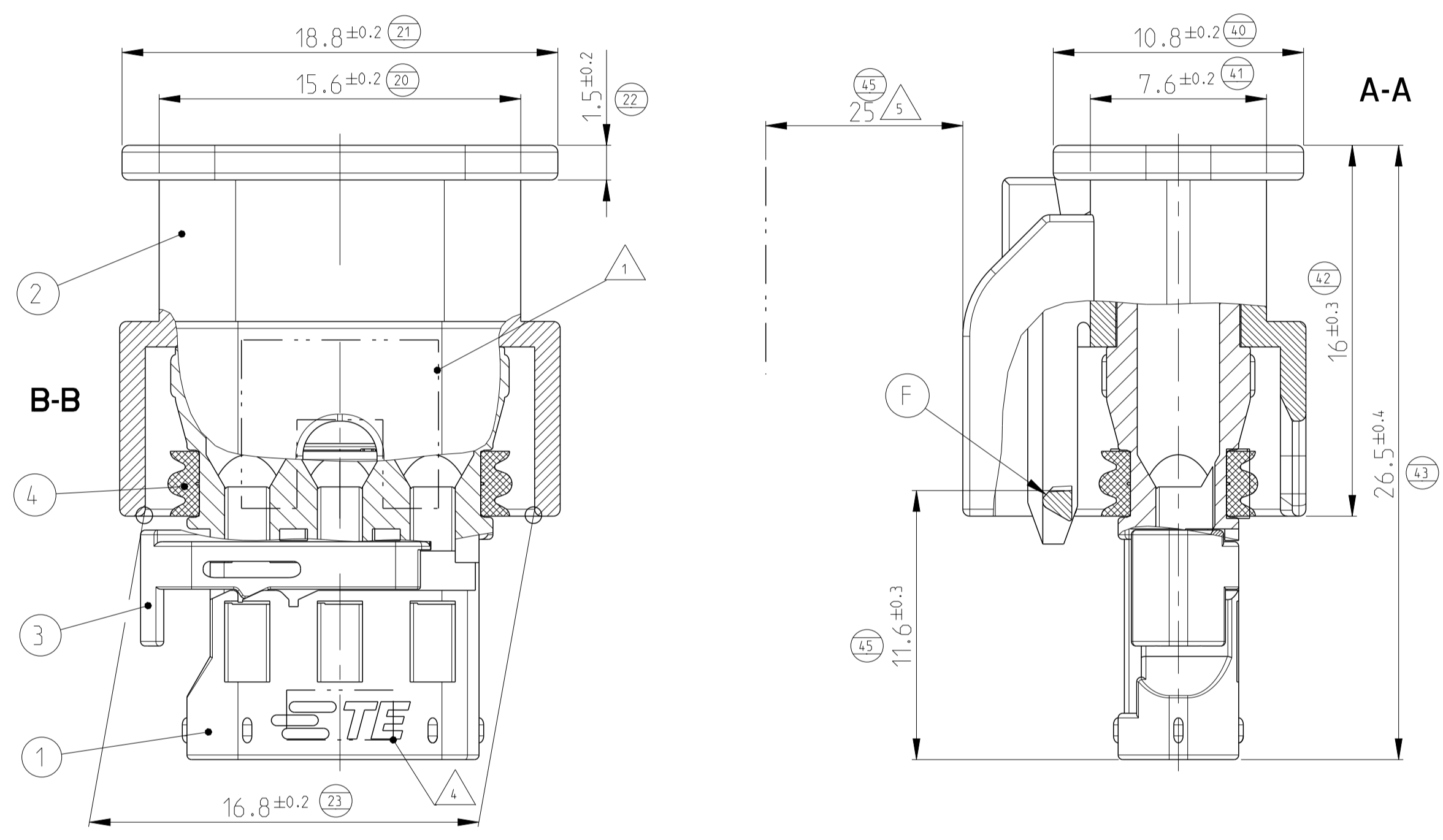
PRINT: 5:1



CODINGS M 2:1



REVISIONS				
P.	LTN	DESCRIPTION	DATE	APVD
F2		LASER PRINT UPDATED WITH US VERSION	15SEP2017	S2N RT
F3		LASER PRINT CORRECTED	08DEC2017	S2N LSZ
F4		LASER-PRINT UPDATED WITH BR VERSION	07NOV2018	S2N LSZ
F5		LASER-PRINT UPDATED WITH CN VERSION	14JAN2020	S2N LSZ

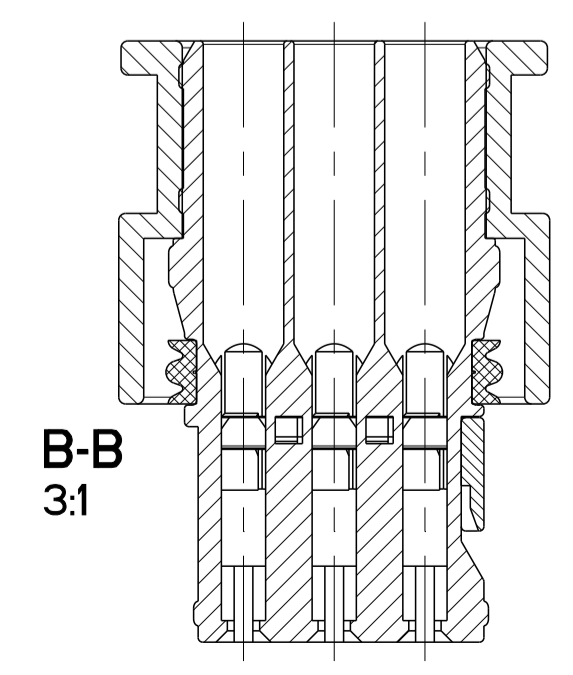


NOTES:

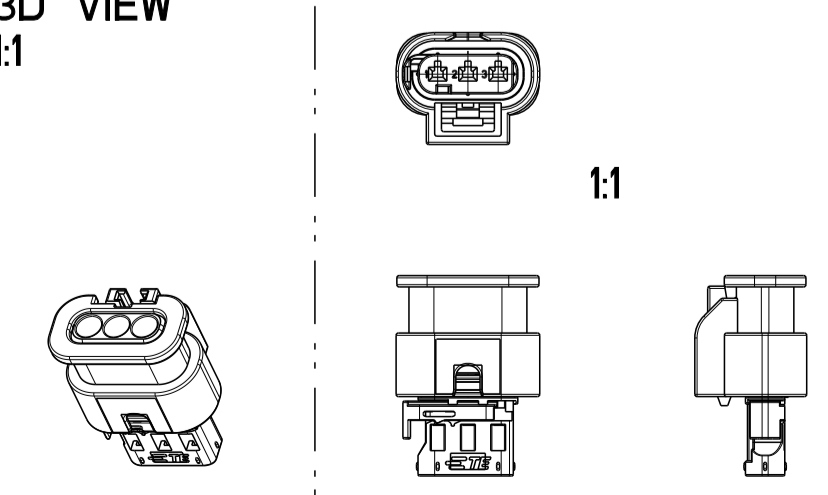
- 1 AREA FOR PRINT
- 2 USABLE CONTACTS MCON 1.2 SEE TE-NO. 1452674, SINGLE WIRE SYSTEM
- 3 MAX. WIRE SIZE RANGE 1.0 mm² FLR PERMITTED FOR CAVITY-Ø 3.55MM QUANTITY SEE WIRE HARNESS DRAWING FOR PERMISSIBLE CURRENT CARRYING CAPACITY OF THE SINGLE CONTACT SEE PRODUCT SPECIFICATION NO.108-18782
- 4 SUPPLIER-MARK
- 5 SPACE OF ACTIVITY
- 6 SUPPLY CONDITION: RETAINER IN PRELOCKED POSITION
- 7 WARPAGE PERMITTED TO MAX. -0.5mm
- 8 TE ORDER-NO.
- 9 ACCORDING TO INTERFACE DRAWING SEE TE-NO. 114-18679-3
- 10 ASSEMBLY LINE SEGMENT IDENTIFICATION
- 11 DATE CODE (DDYY)
- 12 DIVERGENT MARKING FOR PARTS FROM DIFFERENT PLANTS (BR, CN, U.S...)
- 13 VER II: HIGH TEMPERATURE VERSION FOR APPLICATIONS UP TO 150°C CODING A AS SHOWN

TE-ORDER-NO.	COD	TITLE	REV	QTY	TITLE	MATERIAL	SURFACE/COLOUR	ITEM	VAR.
1-1670917-5	A	3pos.MCON 1.2 - LL Connector, Sealed	C	1	2pos. MCON 1.2 - Seal	MVQ	GREEN	4	II 13
				1	2pos. MCON 1.2 - Retainer	PA66-GF15	VIOLETT	3	
				1	2pos. MCON 1.2 - Protec. Cover	PA46	BLACK	2	
				1	2pos. MCON 1.2 - Recepticle Hsg.	PA66-GF30	BLACK	1	
2-1670917-1	B	3pos.MCON 1.2 - LL Connector, Sealed	E	1	2pos. MCON 1.2 - Seal	MVQ	NATURE	4	I
				1	2pos. MCON 1.2 - Retainer	PA66-GF15	VIOLETT	3	
				1	2pos. MCON 1.2 - Protec. Cover	PA6-GF15	BLACK	2	
				1	2pos. MCON 1.2 - Recepticle Hsg.	PA66-GF30	NATURE	1	
1-1670917-1	A	3pos.MCON 1.2 - LL Connector, Sealed	F	1	2pos. MCON 1.2 - Seal	MVQ	NATURE	4	I
				1	2pos. MCON 1.2 - Retainer	PA66-GF15	VIOLETT	3	
				1	2pos. MCON 1.2 - Protec. Cover	PA6-GF15	BLACK	2	
				1	2pos. MCON 1.2 - Recepticle Hsg.	PA66-GF30	BLACK	1	

RETAINER IN END POSITION



3D VIEW 1:1



THIS DRAWING IS A CONTROLLED DOCUMENT.		OWN: R. Bachmann 19DEC2006	TE Connectivity	
DIMENSIONS: mm		CHK: A. Schraebel	NAME: 3pos. MCON 1.2 - LL Connector, Sealed	
TOLERANCES UNLESS OTHERWISE SPECIFIED:		APVD: J. Woller	SIZE: CAGE CODE: DRAWING NO: 114-18861	
0-PLC ±0.1	1-PLC ±0.1	PRODUCT SPEC: 108-18969	RESTRICTED TO: CUSTOMER DRAWING	
2-PLC ±0.1	3-PLC ±0.1	APPLICATION SPEC: 114-18861	SCALE: 5:1 SHEET 1 OF 1 REV: F5	
4-PLC ±0.1	ANGLES ±0.2°	WEIGHT: 3 g	C=1670917	

X-ON Electronics

Largest Supplier of Electrical and Electronic Components

Click to view similar products for [Automotive Connectors](#) category:

Click to view products by [TE Connectivity](#) manufacturer:

Other Similar products are found below :

[003-018-000](#) [60403001](#) [60993906-B](#) [M902-2131](#) [M902-2161](#) [72.330.1035.1](#) [73.353.4028.0](#) [F119300-B](#) [F166900](#) [F258300-B](#) [F358300-B](#)
[F407400](#) [F444110](#) [F487000](#) [F509500B-B](#) [827153-1](#) [8N1515-32-24P](#) [9-1326729-8](#) [925474-1](#) [928905-1](#) [964562-4](#) [968782-1](#) [GT17SA-8DS-](#)
[HU](#) [98891-1012](#) [98947-1016](#) [12004147](#) [12004475-L](#) [12010290](#) [12010309-B](#) [12015454](#) [12020219-B](#) [12020308](#) [12041318-B](#) [12052225-L](#)
[12052466](#) [12059125](#) [12064869](#) [12004327-B](#) [12010503-B](#) [12015308](#) [12015384](#) [12015909](#) [1-21030-1](#) [12041254](#) [12041318](#) [12047946-B](#)
[12047957](#) [12047957-L](#) [12059473](#) [12066261](#)