

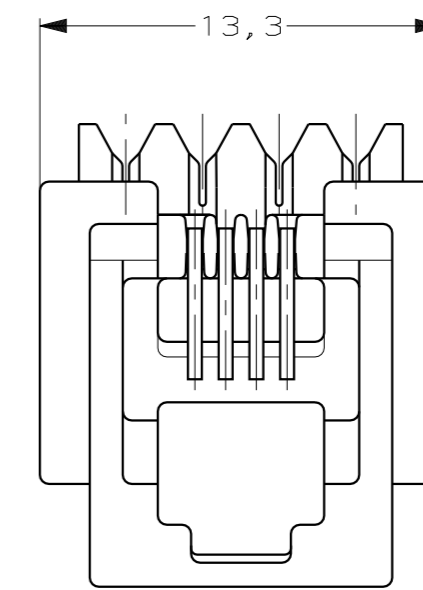
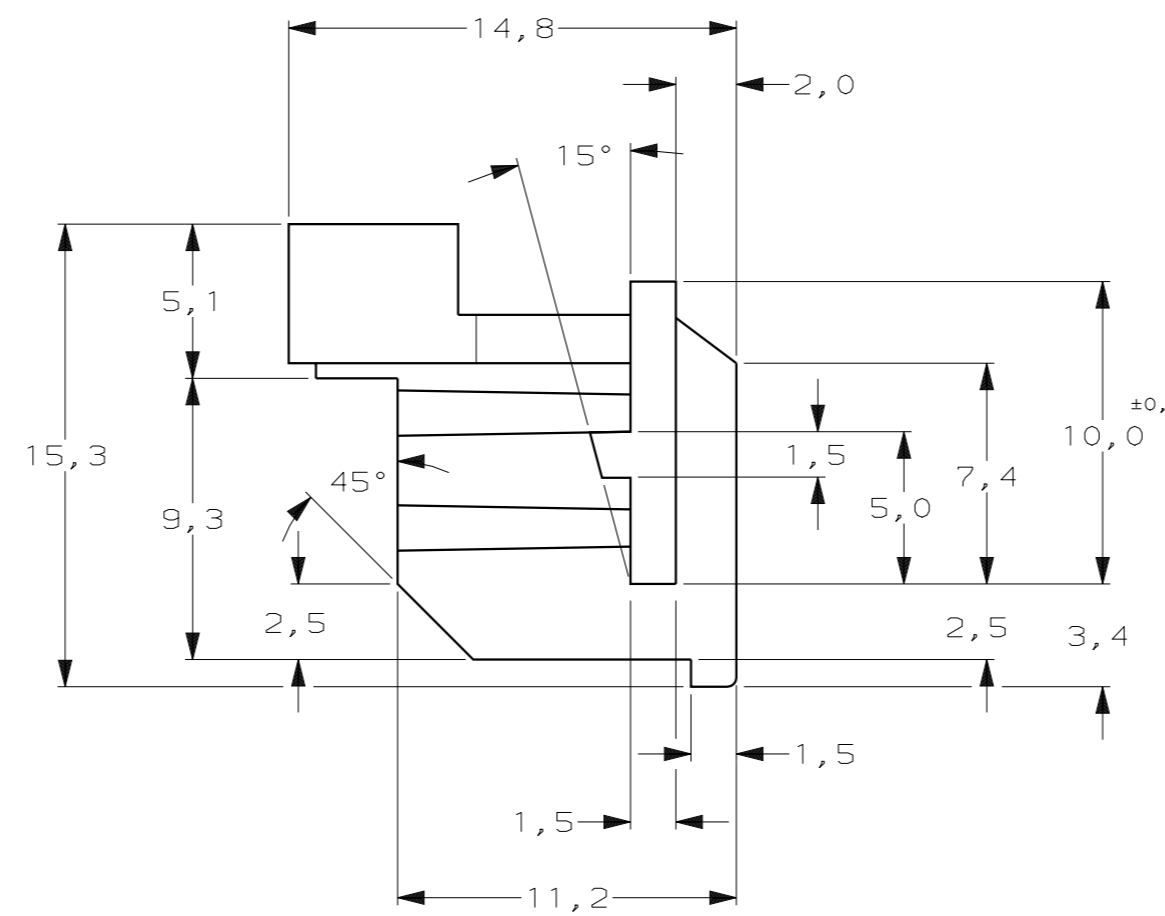
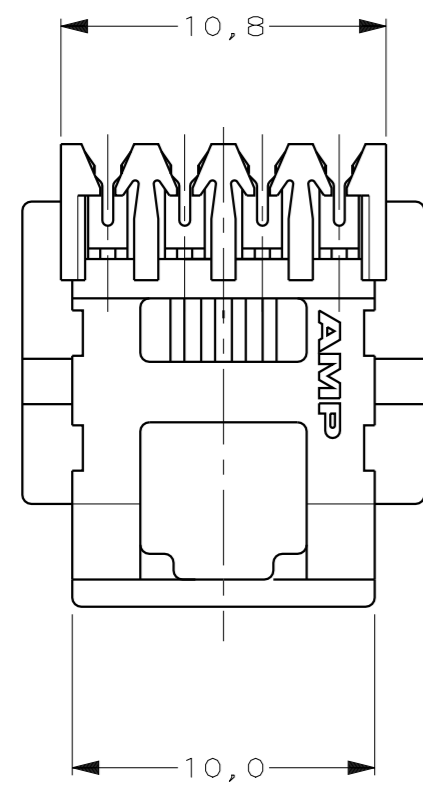
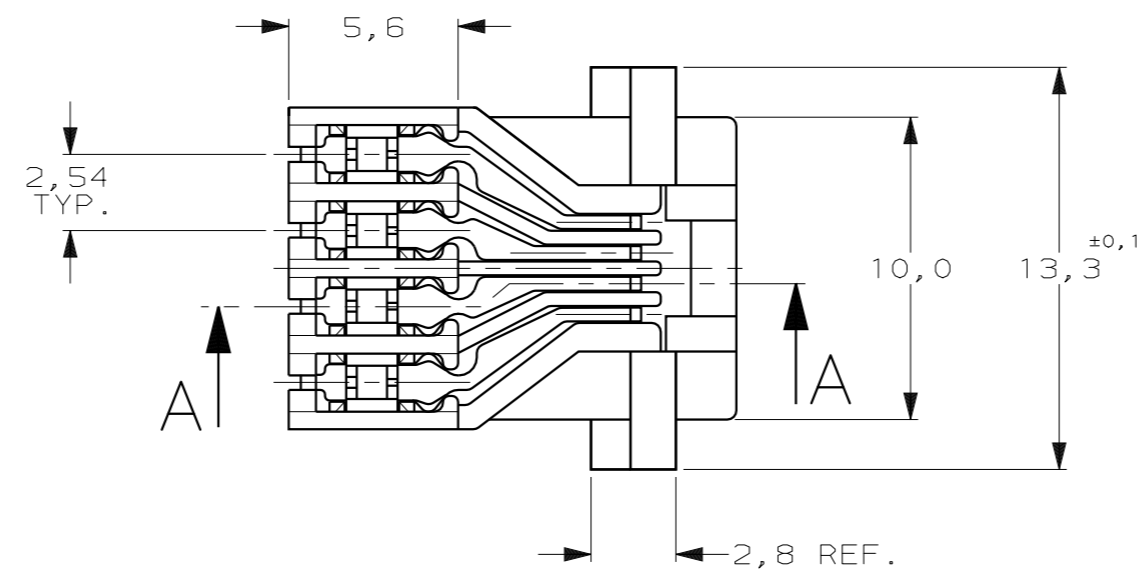
NOTES:

- FOR APPLICATION INFORMATION SEE AMP SPECIFICATION 114-19005.
- FOR PERFORMANCE REQUIREMENTS SEE AMP SPECIFICATION 108-19039.
- GENERAL TOLERANCE $\pm 0,15\text{mm}$ UNLESS OTHERWISE SPECIFIED.

DO NOT SCALE
DIMENSIONS IN mm

METRIC

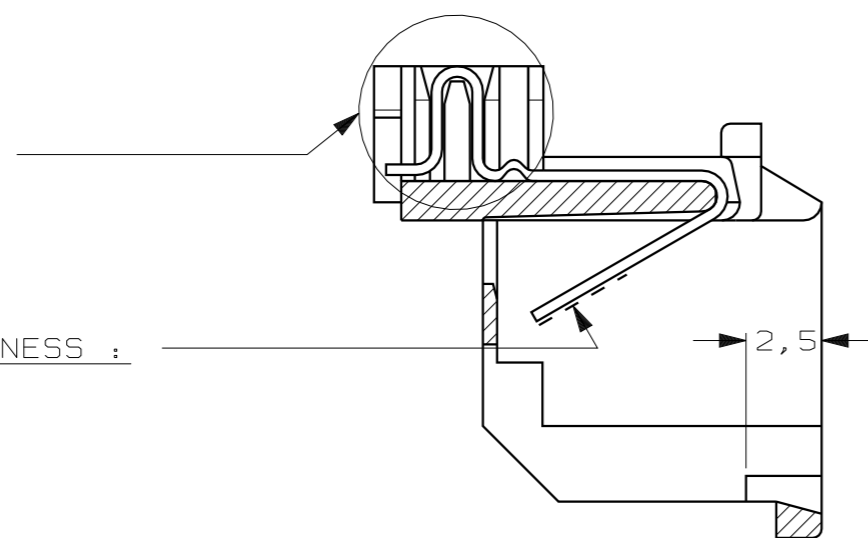
THIRD ANGLE
PROJECTION



CONTACT PLATING IN THIS AREA :
1,25 μm MIN. TIN

CONTACT AREA GOLD PLATING THICKNESS :
SEE TABLE.

UNDERPLATING ON ENTIRE CONTACT :
1,25 μm NICKEL.



SEC. A-A

OBSOLETE

800 pcs. ON 60 cm. DIA REEL	0,8 μm	HOUSING : ABS COLOR : CLEAR	2-216780-2
	1,25 μm		2-216780-1
3000 pcs. IN A BOX	0,8 μm	CONTACTS : PHOS.PH. BRONZE	216780-2
	1,25 μm		216780-1
PACKAGING	GOLD PLATING IN CONTACT AREA	MATERIAL	ORDERNUMBER
CUSTOMER DRAWING			FOR REFERENCE ONLY WILL NOT BE UPDATED
© COPYRIGHT 19- BY AMP HOLLAND B.V. ALL INTERNATIONAL RIGHTS RESERVED. AMP PRODUCTS MAY BE COVERED BY U.S. AND FOREIGN AND/OR PATENTS PENDING.			
THIS DRAWING IS UNPUBLISHED RELEASED FOR PUBLICATION			
AMP HOLLAND B.V. s-Hertogenbosch, The Netherlands.			
F	ECR-05-013405	PW JB 18 OCT 05	NAME
E	EH-0176-98	EvE WB 10 FEB 98	MODULAR JACK, 4 POS./4 CONT. WITH INSULATION DISPLACEMENT CONTACTS
LTR.	REVISION RECORD	DR. CHK. DATE	
DR. : L.V.D.HEIJDEN	CHK. : M. DE WINTER	APP. : L. VAN SOEST	DWG.No.
DATE: 20 OKT 89	DATE: 26-10-89	DATE: -	C-216780
			REV.LTR. SHEET
			F 1 OF 1 A2

X-ON Electronics

Largest Supplier of Electrical and Electronic Components

Click to view similar products for [Modular Connectors / Ethernet Connectors](#) category:

Click to view products by [TE Connectivity](#) manufacturer:

Other Similar products are found below :

[8949-H88/06BLKA/SN](#) [74441-0010/BKN](#) [MP1010RX-1000](#) [MP44RX-1000](#) [PHJ-4P4C-1-V-4](#) [PHP-6P6C-5](#) [GAX-3-66](#) [GAX-8-62](#) [GDCX-PA-66-50](#) [GDCX-PN-64](#) [GDCX-PN-66](#) [GDCX-PN-66-50](#) [GDLX-A-66](#) [GDLX-N-66](#) [GDLX-S-66](#) [GDLX-S-88K](#) [GDTX-S-88-50](#) [GDX-PA-1010](#) [GLX-N-1010M-BLK](#) [GLX-S-88M-BLK](#) [GMX-N-1010](#) [GMX-S-1010](#) [GMX-S-66](#) [GMX-SMT4-N-88](#) [GPX-2-64](#) [GSGX-N-2-88](#) [GSGX-N-4-88](#) [GSX-NS2-88-3.05](#) [GSX-NS2-88-3.05-50](#) [GSX-NS-88-3.05-50](#) [PT-108A-8C-UL](#) [PT-J951-8C](#) [PTS-J531-8CS-50UL](#) [1-1775629-2](#) [A-2014-0-4](#) [GWLX-S-88-GR](#) [GWLX-S9-88-YG](#) [DC-1021-8-WH-6](#) [1300530003](#) [1324640-4](#) [RJ11FTVC2G](#) [RJ11FTVC2N](#) [RJFTVX2SA1G](#) [132764-001](#) [1413235](#) [MP88X-1000](#) [MPS88RX-5000](#) [E5288-S000K3-L](#) [E5908-15A242-L](#) [155302-001](#)