

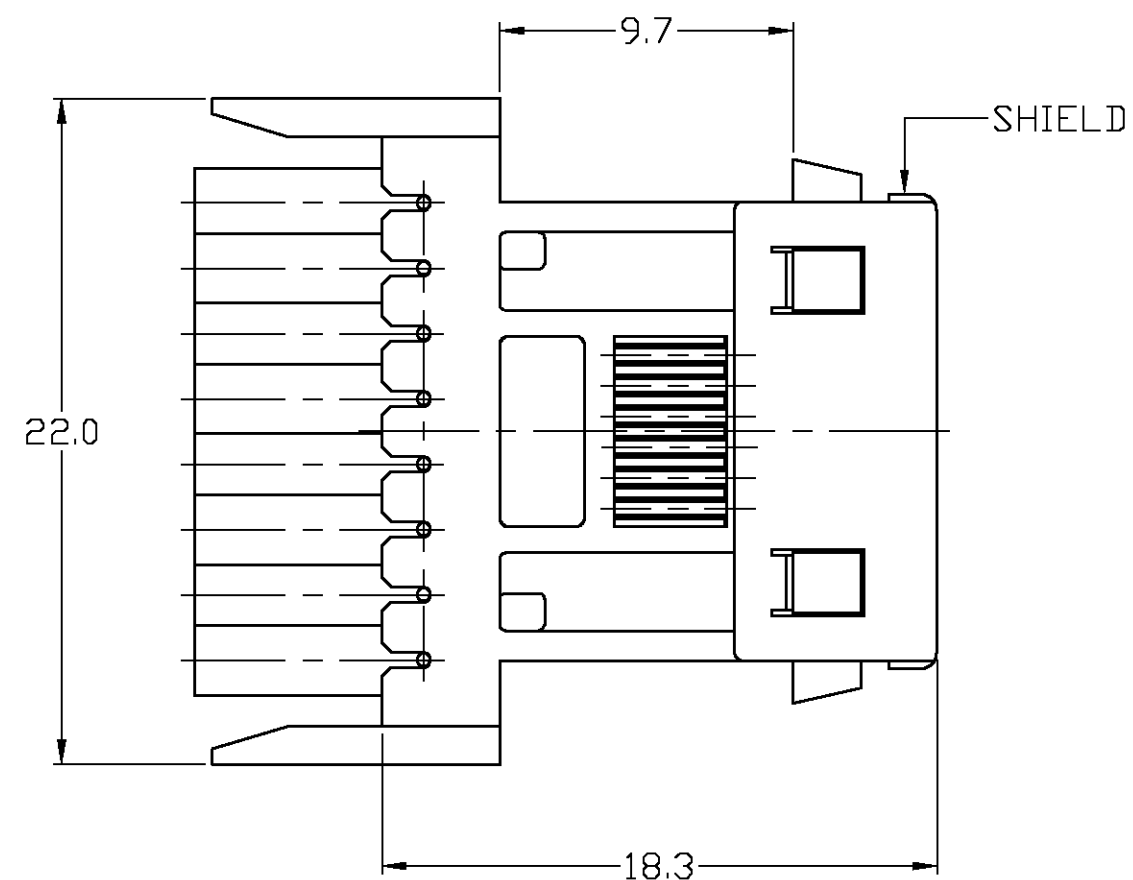
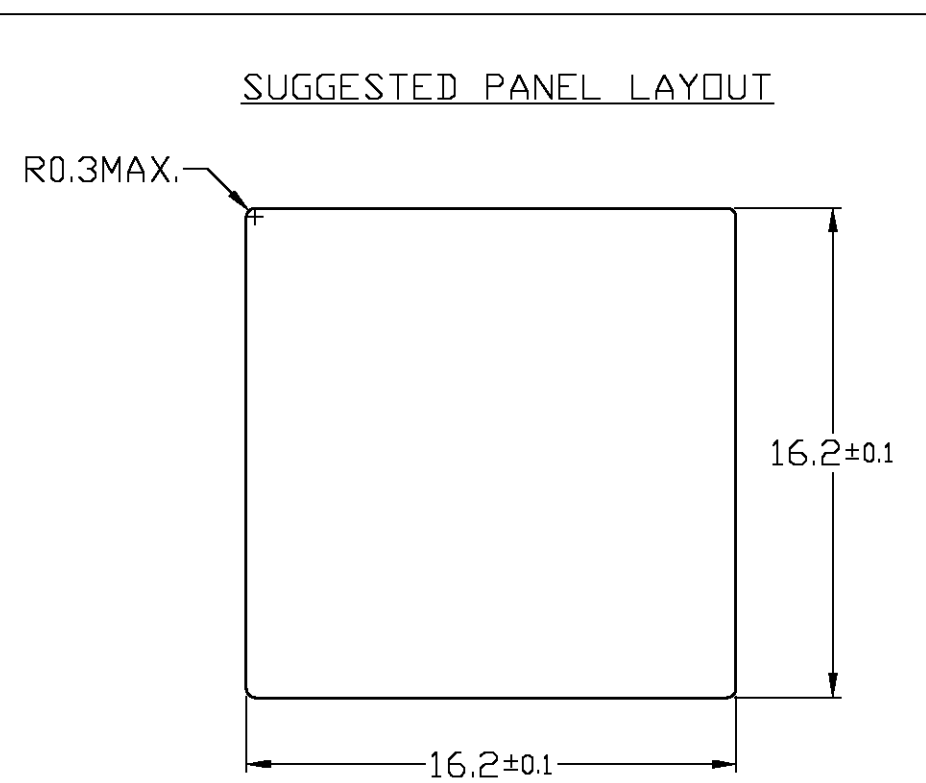
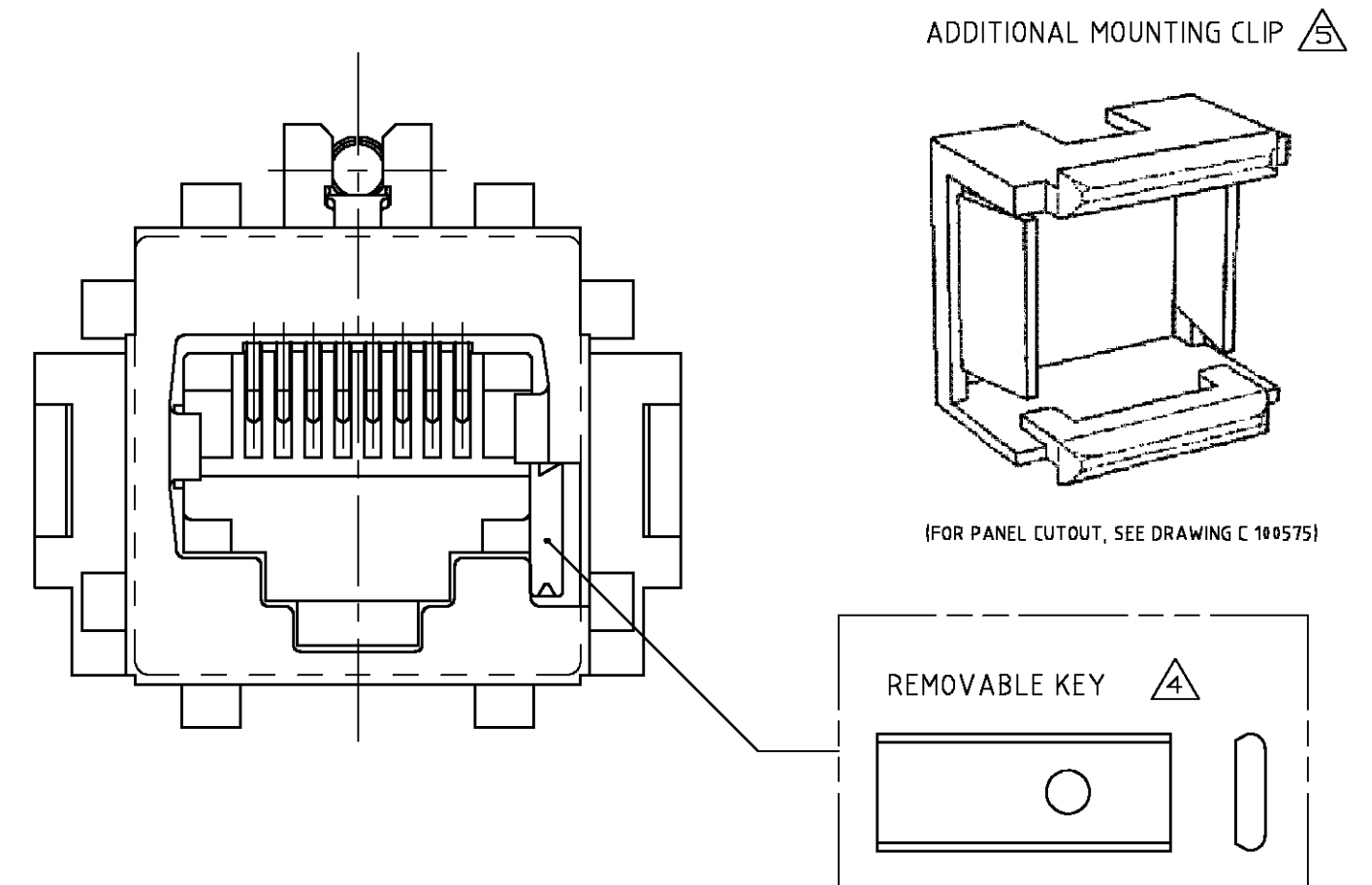
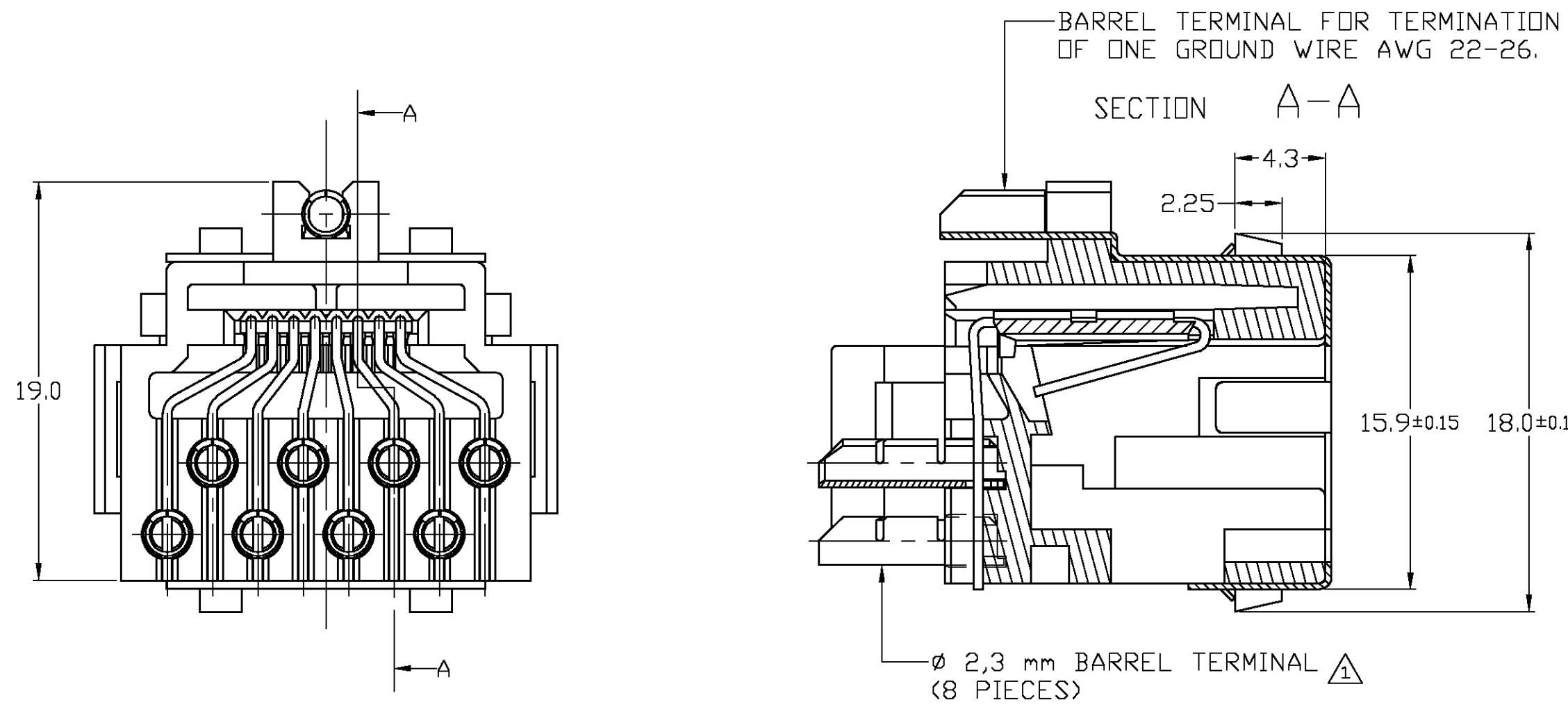
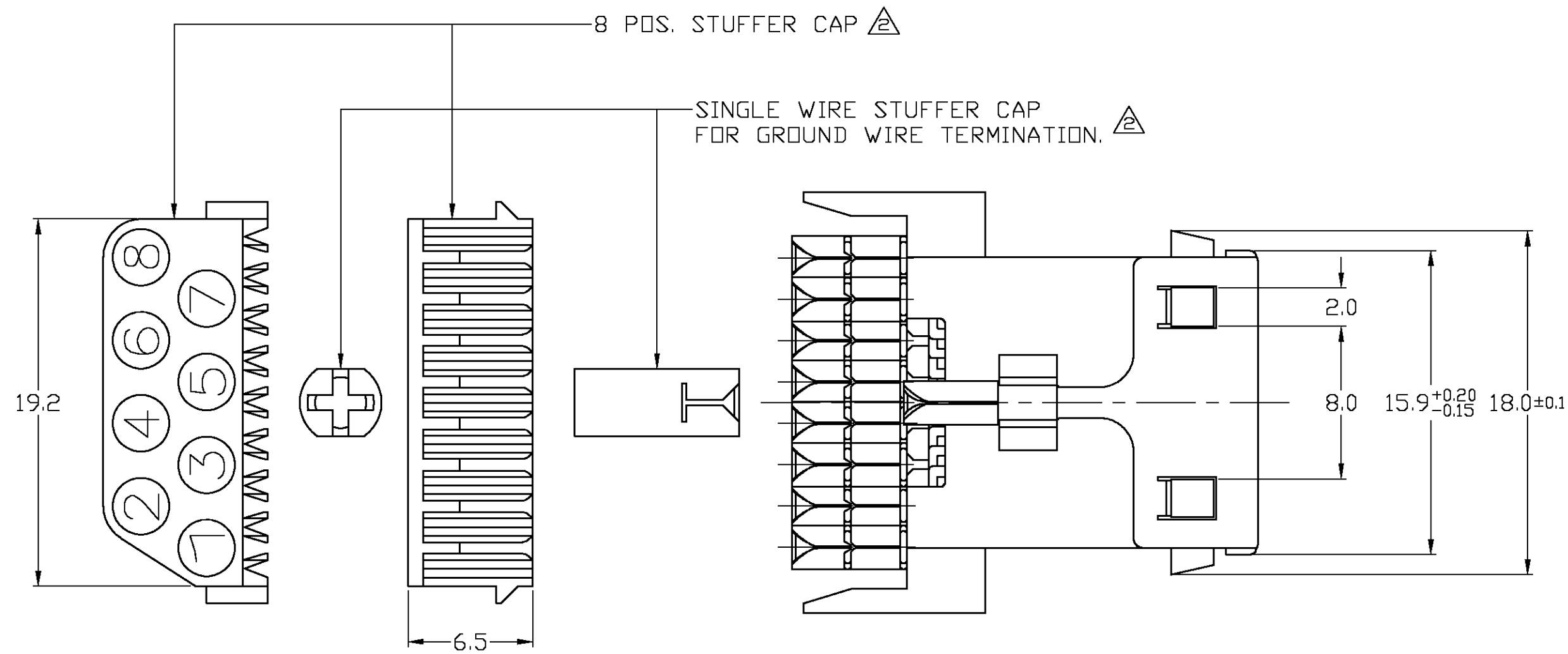
DO NOT SCALE
DIMENSIONS IN mm

METRIC

THIRD ANGLE
PROJECTION

NOTES:

- ⚠️ BARREL TERMINALS WILL ACCEPT ON OR TWO WIRES WITH THE SAME SIZE PER TERMINAL. WIRE RANGE FOR SOLID AND STRANDED WIRES: 0,12 mm² (AWG 26) - 0,35 mm² (AWG 22) MAXIMUM INSULATION ϕ : 1,2 mm.
- ⚠️ 8 POSITION STUFFER CAP AND SINGLE WIRE STUFFER CAP ARE SHIPPED NOT ASSEMBLED.
- ⚠️ MATERIALS: 8 POS. STUFFER CAP: ABS NATURAL
1 WIRE STUFFER CAP: NYLON
BARREL TERMINALS: PHOS. BRONZE
CONTACTS: PRE-TINPLATED
PHOS. BRONZE PLATED
1,25 μ m SELECTIVE GOLD
OVER 1,25 μ m NICKEL
HOUSING KEY: PBT, COLOR BLACK
UL 94HB
SHIELD: BRASS PRE-TINPLATED
- ⚠️ REMOVABLE KEY IS SHIPPED NOT ASSEMBLED.
- ⚠️ ADDITIONAL HARDWARE IS REQUIRED FOR PANEL MOUNTING. FOR INSTANCE MOUNTING CLIP 100575-1 (IS NOT INCLUDED).



500 PCS IN A BOX		SEE NOTE ⚠️	SEE NOTE ⚠️	216811-1
PACKAGING		FINISH		P/N
CUSTOMER DRAWING FOR REFERENCE ONLY WILL NOT BE UPDATED				
© COPYRIGHT 19 BY AMP HOLLAND B.V. ALL INTERNATIONAL RIGHTS RESERVED. AMP PRODUCTS MAY BE COVERED BY U.S. AND FOREIGN AND/OR PATENTS PENDING.				
THIS DRAWING IS UNPUBLISHED RELEASED FOR PUBLICATION				
G SR10-0119-01		KV	20 MAR 01	
F H-8627		J.T.	J.T.	25 OCT 93
E H-8627		J.T.	W.B.	02 AUG 93
D H-8627		J.T.	W.B.	13 APR 92
C H-8627		J.v.L.	J.T.	04 NOV 91
LTR. REVISION RECORD		DR.	CHK.	DATE
DR.: J.v.LIEMPT	CHK.: W.BRUMMANS	APP.: J.van SOEST	DWG.No.	REV.LTR. SHEET
DATE: 04 NOV 91	DATE:	DATE: 27 OCT 93	C-216811	G 1 OF 1

X-ON Electronics

Largest Supplier of Electrical and Electronic Components

Click to view similar products for [Modular Connectors / Ethernet Connectors](#) category:

Click to view products by [TE Connectivity](#) manufacturer:

Other Similar products are found below :

[8949-H88/06BLKA/SN](#) [74441-0010/BKN](#) [MP1010RX-1000](#) [MP44RX-1000](#) [PHJ-4P4C-1-V-4](#) [PHP-6P6C-5](#) [GAX-3-66](#) [GAX-8-62](#) [GDCX-PA-66-50](#) [GDCX-PN-64](#) [GDCX-PN-66](#) [GDCX-PN-66-50](#) [GDLX-A-66](#) [GDLX-N-66](#) [GDLX-S-66](#) [GDLX-S-88K](#) [GDTX-S-88-50](#) [GDX-PA-1010](#) [GLX-N-1010M-BLK](#) [GLX-S-88M-BLK](#) [GMX-N-1010](#) [GMX-S-1010](#) [GMX-S-66](#) [GMX-SMT4-N-88](#) [GPX-2-64](#) [GSGX-N-2-88](#) [GSGX-N-4-88](#) [GSX-NS2-88-3.05](#) [GSX-NS2-88-3.05-50](#) [GSX-NS-88-3.05-50](#) [PT-108A-8C-UL](#) [PT-J951-8C](#) [PTS-J531-8CS-50UL](#) [1-1775629-2](#) [A-2014-0-4](#) [GWLX-S-88-GR](#) [GWLX-S9-88-YG](#) [DC-1021-8-WH-6](#) [1300530003](#) [1324640-4](#) [RJ11FTVC2G](#) [RJ11FTVC2N](#) [RJFTVX2SA1G](#) [132764-001](#) [1413235](#) [MP88X-1000](#) [MPS88RX-5000](#) [E5288-S000K3-L](#) [E5908-15A242-L](#) [155302-001](#)