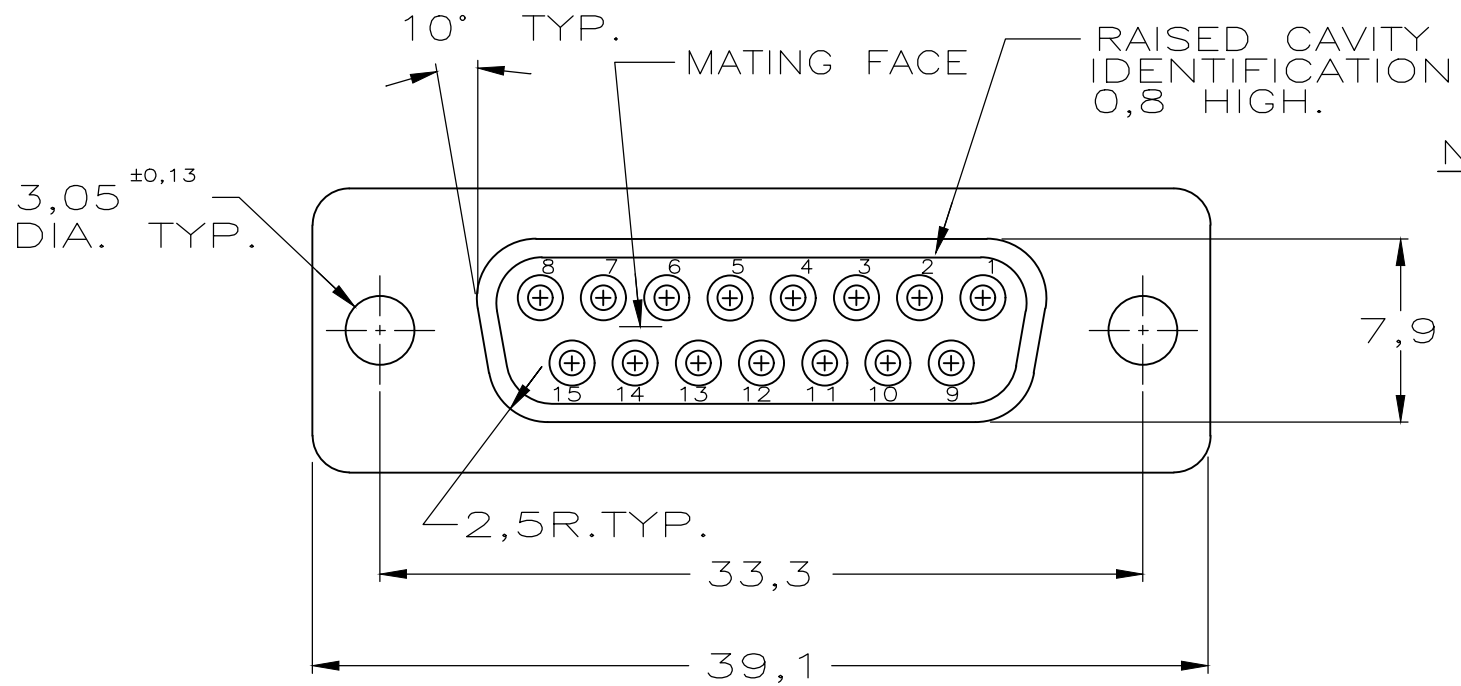
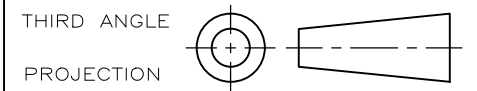
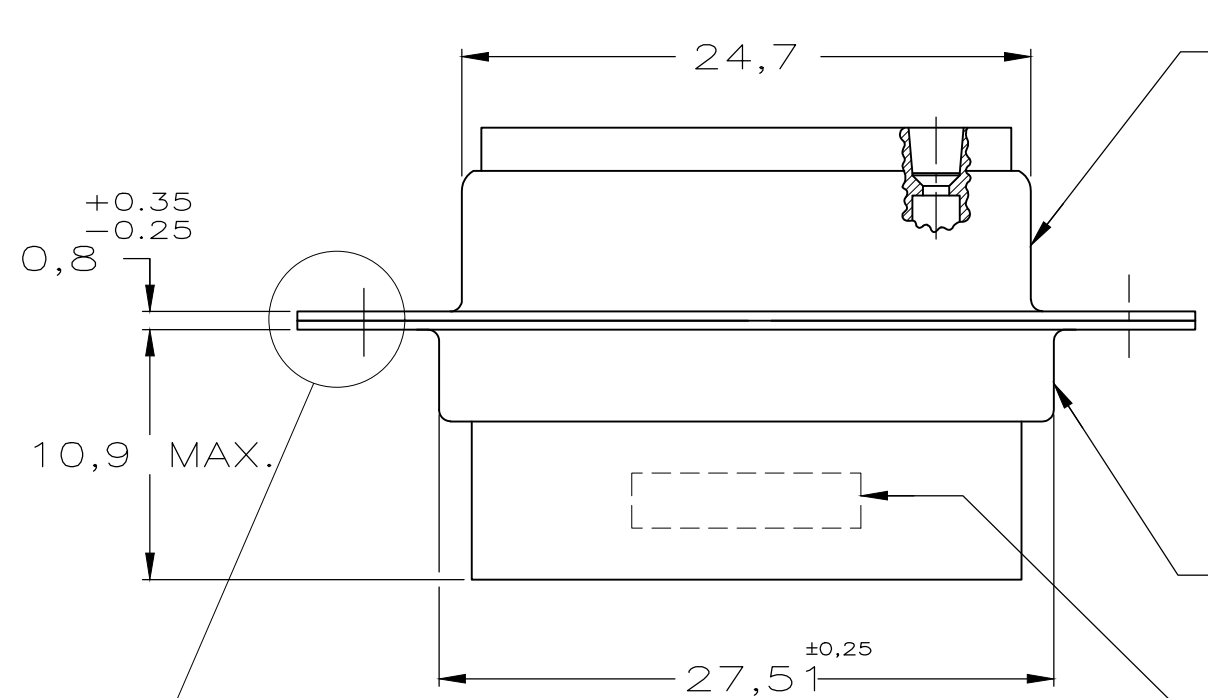


DO NOT SCALE
DIMENSIONS IN mm

METRIC



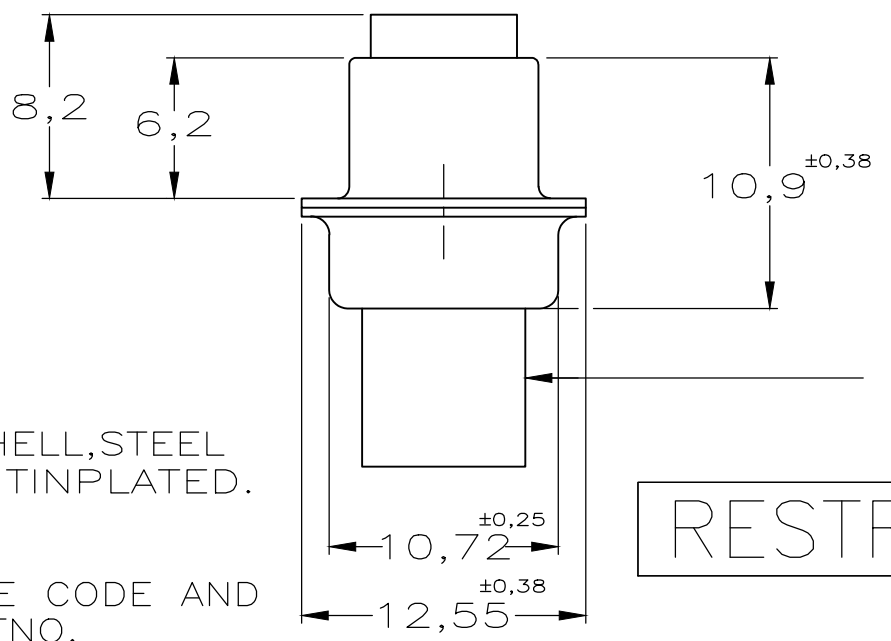
- NOTES: 1 THIS RECEPTACLE ACCEPTS SIZE 20 REC. CONTACTS.
 2 MAXIMUM WIRE INSULATION RECOMMENDED FOR USE WITH THIS RECEPTACLE IS 1,73 DIA. MAX..
 3 RETENTION TINES ARE AN INTEGRAL PART OF INSERT.
 4 FOLLOWING INSERTION/REMOVAL TOOLS ARE RECOMMENDED FOR USE WITH THESE CONNECTORS:
- | 32-28AWG/28-24AWG CONT's | 24-20AWG CONTACTS |
|---------------------------|---------------------------|
| 91285-1 INSERTION/REMOVAL | 91285-1 INSERTION/REMOVAL |
| 726363-1 INSERTION ONLY | 726363-1 INSERTION ONLY |
| | 726364-1 REMOVAL ONLY |



FRONT SHELL
STEEL, BRIGHT TIN PLATED.

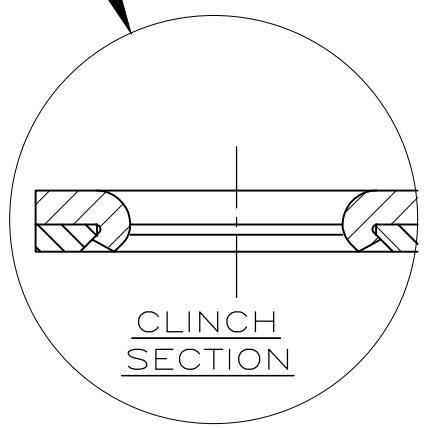
REAR SHELL, STEEL
BRIGHT TIN PLATED.

AMP, DATE CODE AND
AMP PARTNO.
INK STAMPED



INSERTS: NYLON
GLASS-FILLED
SELF-EXTINGUISHING
COLOR: BLACK

RESTRICTED TO ABB



SEE DRAWING		SEE DRAWING		216833-1	
FINISH		MATERIAL		PARTNUMBER	
TE TE CONNECTIVITY					
CUSTOMER DRAWING			THIS DRAWING IS UNPUBLISHED RELEASED FOR PRODUCTION ,19		
FOR REFERENCE ONLY WILL NOT BE UPDATED			© COPYRIGHT 19 - BY AMP-HOLLAND B.V. ALL INTERNATIONAL RIGHTS RESERVED. AMP PRODUCTS MAY BE COVERED BY U.S. AND FOREIGN PATENTS AND/OR PATENTS PENDING.		
DR. P.BEIJNON	DATE 03-01-90	WIRE RANGE -	NAME HDP-20 REC. CONNECTOR, SIZE 2, (15 POSITION) -SPECIAL-		REV.DATE
CHK. B.MOOIJ	DATE 04-01-90	INSUL.RANGE -			09 02 90
APP. L.V.SOEST	DATE 22-01-90	SIZE A3	SHEET 1 OF 1	DWG. No. 216833	REV.LTR. B

B	REVISED PER ECO-17-014522	26APR18	AP	DG
REV.	REVISION RECORD	DATE	DWN	APVD

8 | 7 | 6 | 5 | 4 | 3 | 2 | 1

X-ON Electronics

Largest Supplier of Electrical and Electronic Components

Click to view similar products for [D-Sub Standard Connectors](#) category:

Click to view products by [TE Connectivity](#) manufacturer:

Other Similar products are found below :

[56F706-005-LI](#) [56F711-015](#) [LV242999-142T12](#) [015-0341-000](#) [015-0349-000](#) [015-0350-000](#) [015-8544-011](#) [015-8755-001](#) [017041-0005](#)
[020419-0104](#) [012-0467-000](#) [012-9507-114](#) [020745-0008](#) [609-25P](#) [609-9P](#) [M24308/2-23Z](#) [M24308/2-36Z](#) [CT0-24-10SC](#) [CT0E20-8PS](#)
[CT0E22-14SC](#) [CT0F16S-1SC](#) [CT0FA22-1SS](#) [CT0P14S-5SXS](#) [CT0P22-14PS](#) [CT0TA16-11SXCA232](#) [CT0U22-14PSA206F127](#) [CT1E20-](#)
[19SS](#) [CT1E20-22SCAU-G9](#) [CT1F22-14PC-G9](#) [CT1FC22-2PC](#) [CT1FC24-28SSAU](#) [CT1N22-22SS](#) [CT2-10SL-3SC](#) [CT2-14S-2PCA34](#) [CT2-](#)
[18-10PS-FMLB-D](#) [CT2-18-11PCAU](#) [CT2-18-1PSAUA34](#) [CT2-22-19SC](#) [CT2-22-19SS-A206](#) [CT2-24-2PS](#) [CT2-28-12SC](#) [CT2-28-](#)
[12SCA232](#) [CT2-28-12SSA232](#) [CT6-10SL-3SC](#) [CT6-10SL-4SC](#) [CT6-16-12SC](#) [CT6-18-10PSA206](#) [CT6-18-10PSA232](#) [CT6-18-](#)
[10SSF127A206](#) [CT6-28-22SS](#)