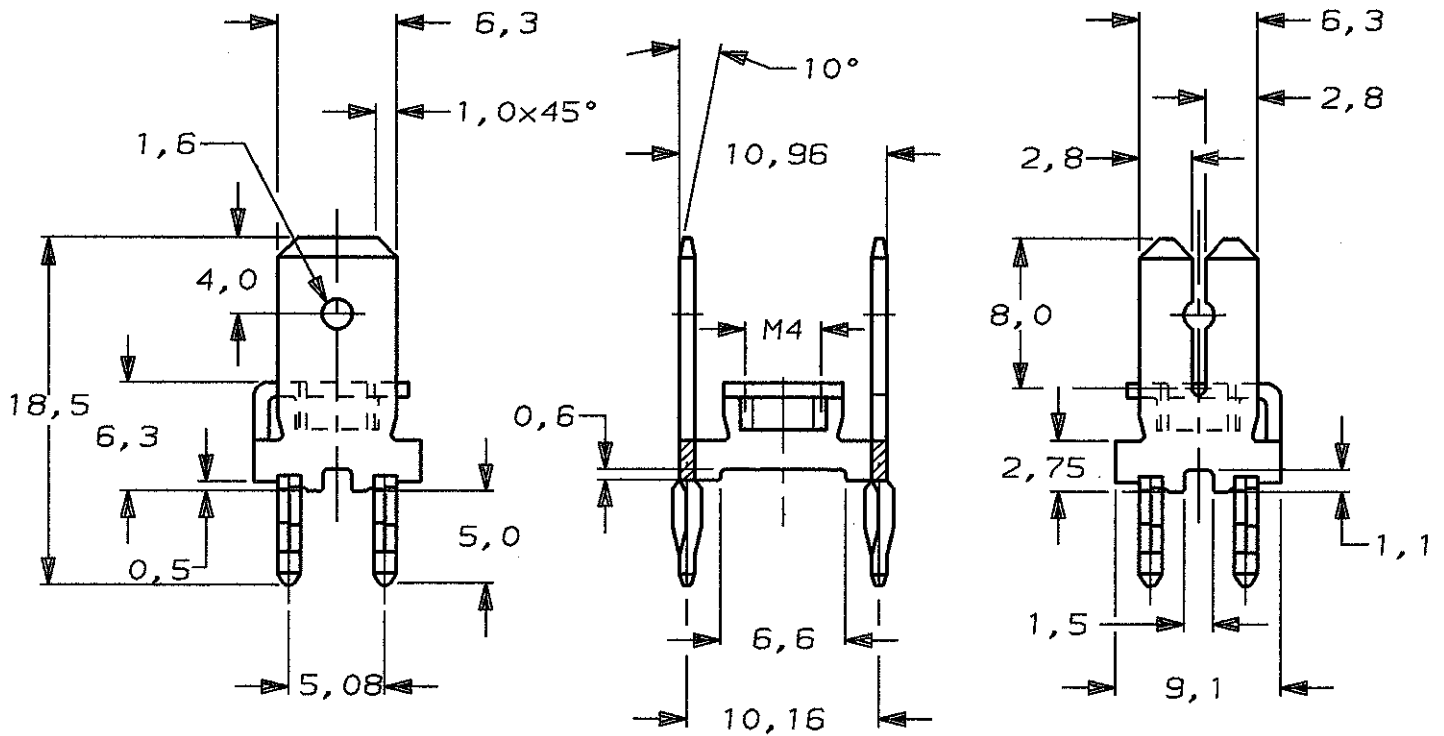


DO NOT SCALE

DIMENSIONS IN mm

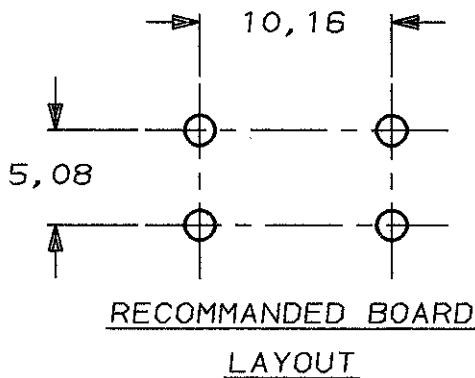
METRIC

THIRD ANGLE  
PROJECTION



NOTES :

- 1 PLATING : 2,54  $\mu$ m SnPb (93/7) MIN. ALL OVER  
UNDERLAYER 1,25  $\mu$ m Ni ALL OVER.
- 2 MATERIAL THICKNESS 0,8 mm .



PLATED THROUGH HOLE SPECIFICATION	
DRILLED HOLE	1,6 $\pm$ 0,025
Cu- THICKNESS	25-75 $\mu$ m
SnPb-THICKNESS	4-10 $\mu$ m
FINISHED HOLE	1,39 $^{+0,15}$ <sub>-0</sub>
FINISHED HOLE (AFTER REFLOW)	1,36 $^{+0,18}$ <sub>-0</sub>

	1	PHOSPHORBRONZE	216905-1
	FINISH	MATERIAL	PARTNUMBER
CUSTOMER DRAWING	<b>AMP</b>		AMP-HOLLAND B.V. 's-Hertogenbosch, The Netherlands.
	THIS DRAWING IS UNPUBLISHED <del>RELEASED FOR PUBLICATION</del> - , 19		
FOR REFERENCE ONLY WILL NOT BE UPDATED	© COPYRIGHT 19- BY AMP-HOLLAND B.V. ALL INTERNATIONAL RIGHTS RESERVED. AMP PRODUCTS MAY BE COVERED BY U.S. AND FOREIGN PATENTS AND/OR PATENTS PENDING.		
DR. S.MEEUWSEN	DATE 15-02-90	WIRE RANGE -	NAME POWER TERMINAL FOR POSITIVE LOCK RECEPTACLE (1,6 P.C.BOARD THICKNESS)
CHK. R.V.LOKVEN	DATE 03-04-90	INSUL. RANGE -	REV. DATE D M Y 19 02 91
APP. L.V.SOEST	DATE 03-04-90	SIZE A4	SHEET 1 OF 1
		DWG. No.	C-216905
		REV. LTR.	B

## X-ON Electronics

Largest Supplier of Electrical and Electronic Components

*Click to view similar products for [Terminals](#) category:*

*Click to view products by [TE Connectivity](#) manufacturer:*

Other Similar products are found below :

[00-054007-01074-6](#) [00-054007-70206-1](#) [00-054007-70210-8](#) [00-054007-70217-7](#) [00-054007-70226-9](#) [00-054007-70228-3](#) [00-054007-70248-1](#) [00-054007-70256-6](#) [00-054007-70301-3](#) [00-054007-70316-7](#) [0-0320562-0](#) [00-054007-49560-4](#) [00-054007-70209-2](#) [00-054007-70225-2](#) [00-054007-70227-6](#) [00-054007-70231-3](#) [00-054007-70241-2](#) [00-054007-70242-9](#) [00-054007-70244-3](#) [00-054007-70246-7](#) [00-054007-70263-4](#) [00-054007-70288-7](#) [00-054007-70290-0](#) [00-054007-70300-6](#) [00-054007-70304-4](#) [01-2065-1-0216](#) [01-2900-1-04412](#) [00581P0075](#) [600TS-10](#) [60205-1](#) [604200-1](#) [605601-1](#) [60598-1-CUT-TAPE](#) [61314-6-C](#) [61810-3](#) [61-S](#) [61-SN](#) [626-0194](#) [62-NBM-A](#) [62-SN](#) [62-SP](#) [63-S](#) [640179-1](#) [M55155/059I03](#) [M55155/079C01](#) [M55155/099H02](#) [M55155/109H01](#) [M55155/109H02](#) [M55155/12XH05](#) [M55155/16XH02](#)