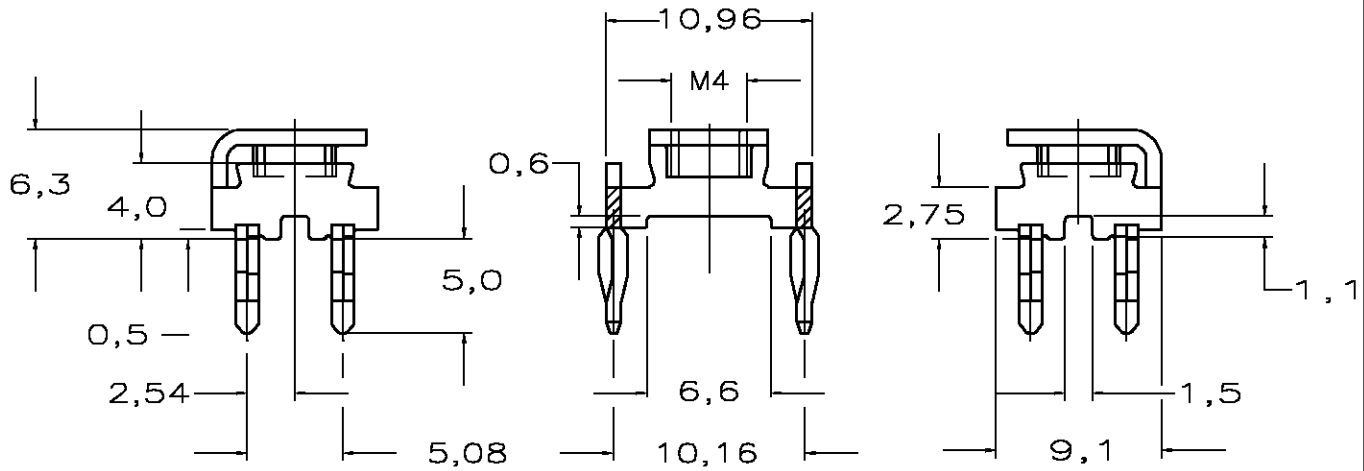
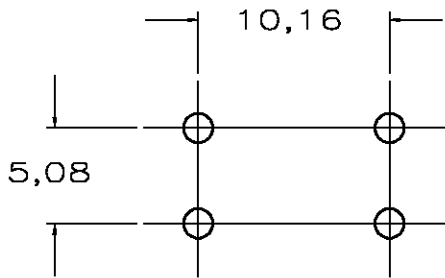


LOC	DIST	REVISIONS					
H	-	P	LTR	DESCRIPTION	DATE	DWN	APVD
		C		ECR-05-006211	13JUL05	CJF	JB



NOTES :

- 1 PLATING: Sn PLATE TO ASTM B 545 AND NI UNDERCOAT TO ASTM B 571 ALL OVER
- 2 MATERIAL THICKNESS 0,8 mm .



RECOMMENDED BOARD LAYOUT

THIS DRAWING IS UNPUBLISHED.

ALL RIGHTS RESERVED.

COPYRIGHT BY TYCO ELECTRONICS CORPORATION.

DIMENSIONS: MM		DWN	13FEB90	MATERIAL	PHOSPHORBRONZE	216906-1
TOLERANCES UNLESS OTHERWISE SPECIFIED:		CHK	03APR90	FINISH	MATERIAL	PART NUMBER
0 PLC ± -		APVD	03APR90			
1 PLC ± -		tyco Tyco Electronics Corporation Electronics s-HertogenBosch, Nederland,				
2 PLC ± -		PRODUCT SPEC	108-19059	NAME POWER TERMINAL WITH ACTION PIN (1,6-3,2 P.C.BOARD THK'S.)		
3 PLC ± -		APPLICATION SPEC	-	SIZE	CAGE CODE	DRAWING NO
4 PLC ± -		WEIGHT	-	A4	00779	C=216906
ANGLES ± -		CUSTOMER DRAWING				RESTRICTED TO -
		SCALE		1:1	SHEET	1 OF 1
AMP 1469-35 REV 31MAR2000		REV		C		

X-ON Electronics

Largest Supplier of Electrical and Electronic Components

Click to view similar products for [Barrier Terminal Blocks](#) category:

Click to view products by [TE Connectivity](#) manufacturer:

Other Similar products are found below :

[CR151D20104](#) [670A-RZ-15-KT20](#) [6C1N03](#) [6PCR-02](#) [6PCR-02-008](#) [6PCR-05-008](#) [6PCR-08-008](#) [6PCR-09-008](#) [6PCR-13-006](#) [6PCR-15-006](#) [6PCR-21-006](#) [6PCV-06-008](#) [6PCV-06-716](#) [6PCV-09-001](#) [6PCV-10-009](#) [6PCV-15-008](#) [6PCV-17-1206](#) [6PCV-20-323](#) [6PCV-30-006](#) [6STR-06-006](#) [6STR-08-006](#) [6STR-12-008](#) [6STR-13-006](#) [6STR-14-008](#) [6STR-16-008](#) [6STR-17-008](#) [6STR-21-008](#) [6STR-25-008](#) [6STR-27-008](#) [6STV-03-006](#) [6STV-03-008](#) [6STV-04-006](#) [6STV-09-006](#) [6STV-10-006](#) [6WWR-03-693](#) [6WWV-12-008](#) [6WWV-16-008](#) [72212603](#) [72504-C-50](#) [72506-C](#) [72507-C-50](#) [73203](#) [75505-C](#) [75505-C-50](#) [75510-C](#) [77010-50](#) [7C1N08](#) [812-GP-3/4ST-09](#) [8-1437402-5](#) [8-1437402-7](#)