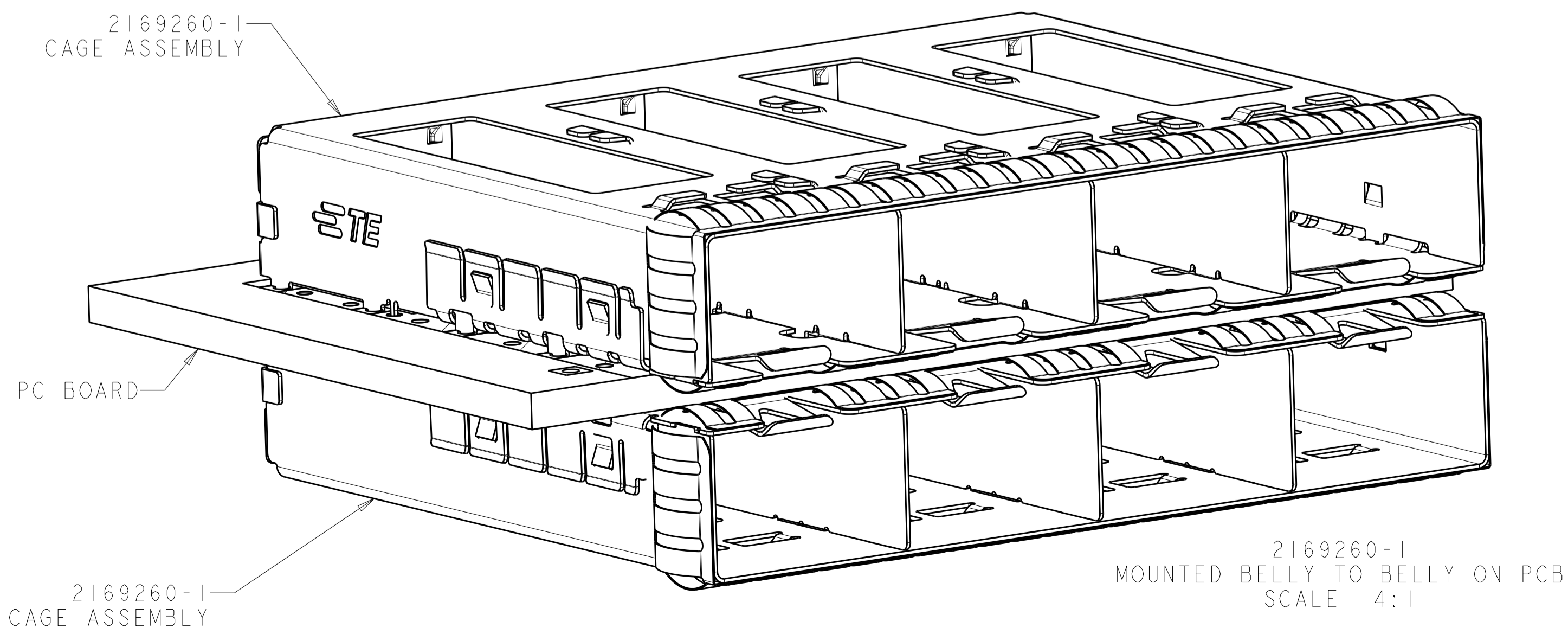
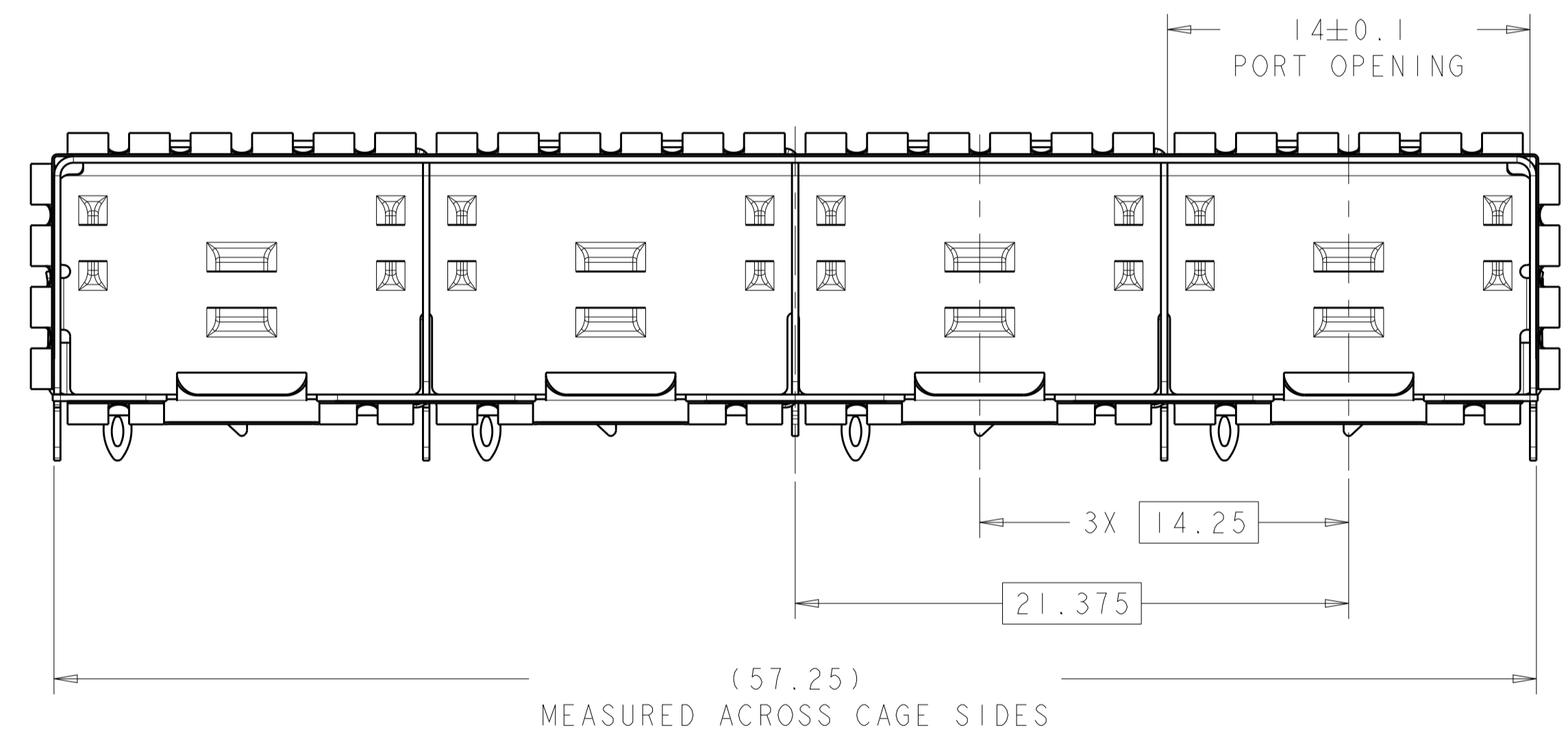
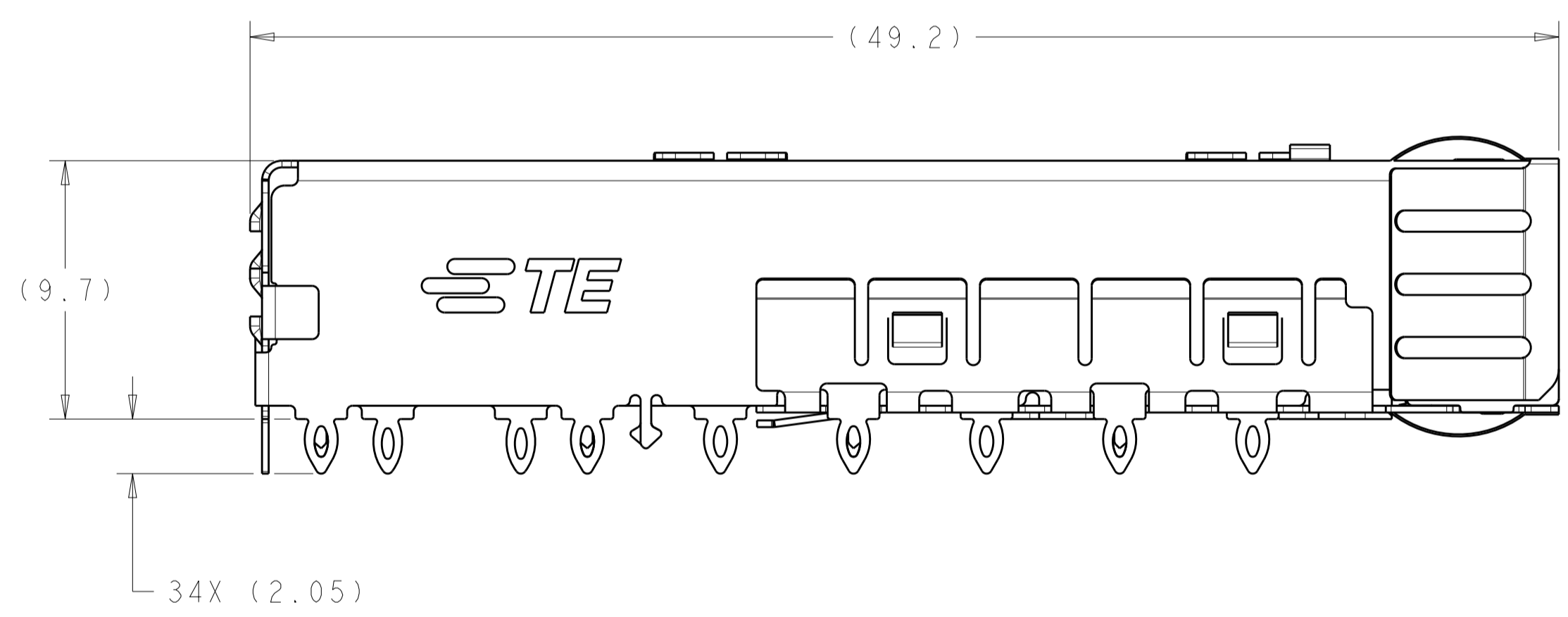
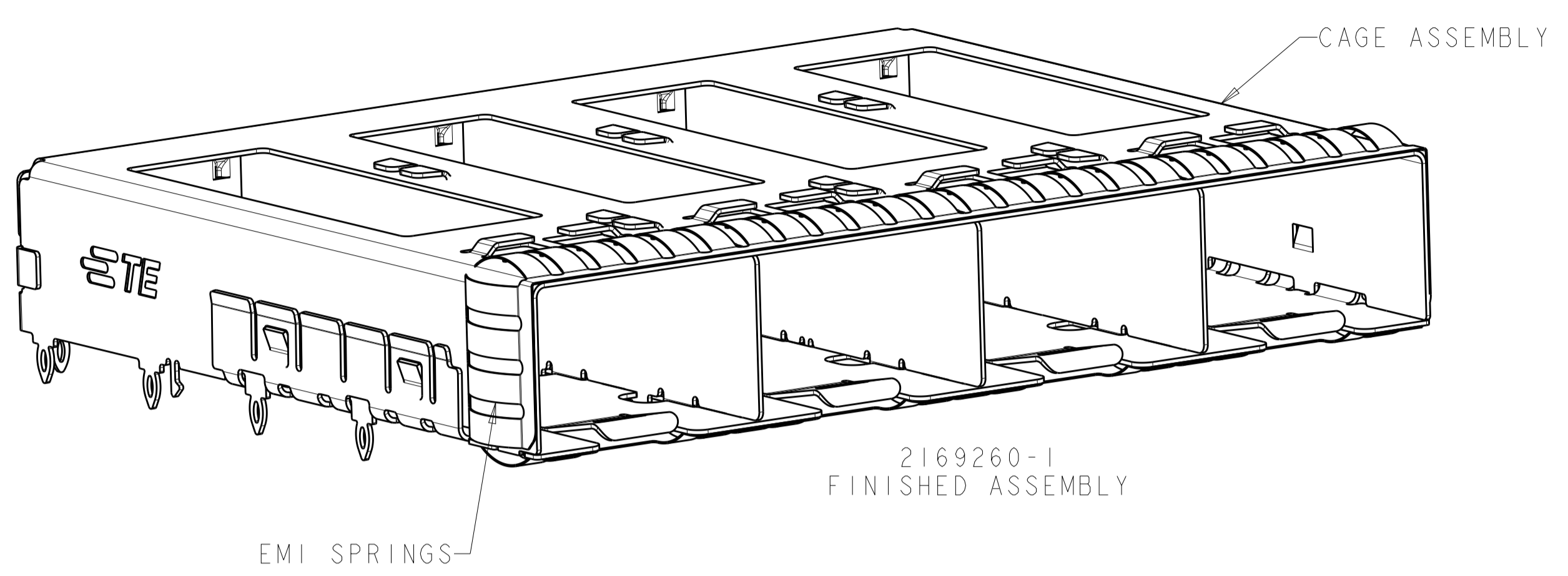


LOC	DIST	REVISIONS					
GP	00	P	LTN	DESCRIPTION	DATE	DWN	APVD
		A		RELEASED PER ECO-12-013192	10OCT2012	BMM	MRS

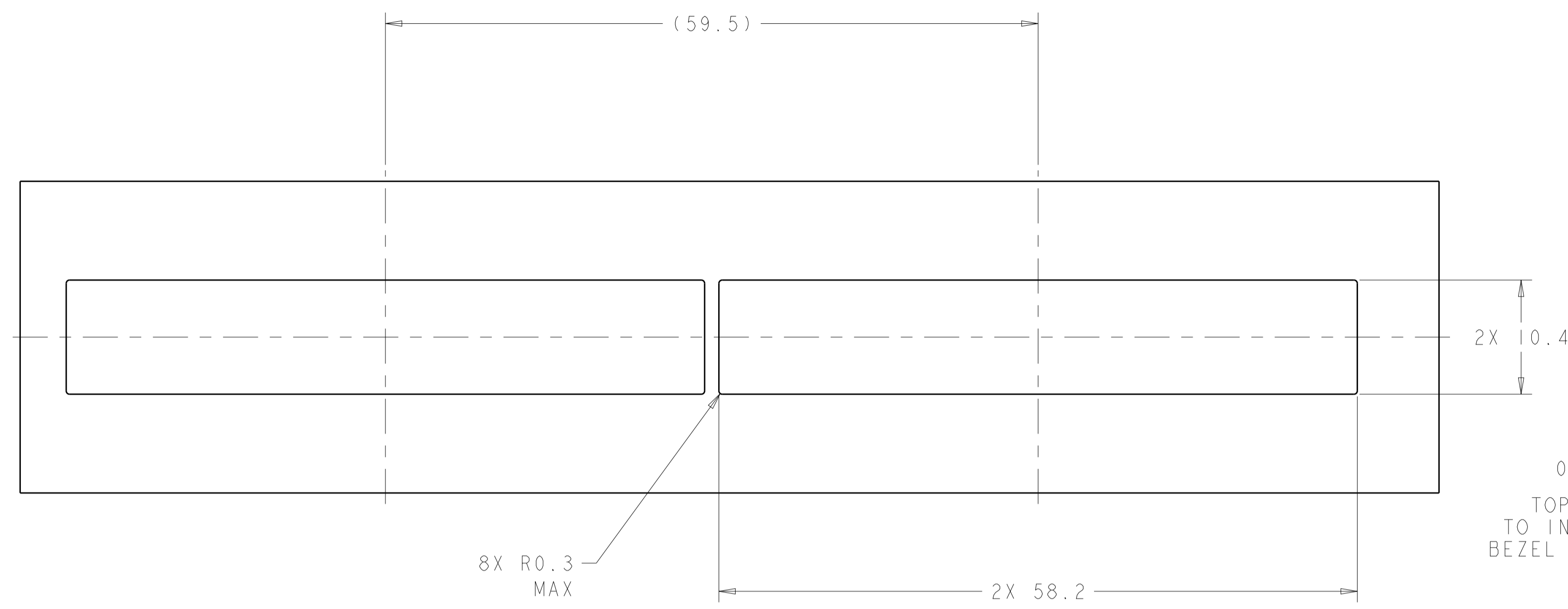
- 1. MATERIAL: CAGE ASSEMBLY: 0.25mm THICK NICKEL SILVER ALLOY.
EMI SPRINGS: COPPER ALLOY
- 2. FINISH
SPRINGS: MINIMUM OF 0.8um MATTE TIN PLATED OVER A MINIMUM OF 0.8um NICKEL UNDERPLATE.
NON-PLATED EDGES PERMISSIBLE.
- 3. PADS AND VIAS CHASSIS GROUND.
- 4. DATUM AND BASIC DIMENSION ESTABLISHED BY CUSTOMER.
- 5. MATES WITH SFP MSA COMPLIANT TRANSCEIVERS.
- 6. INTERPRETATION OF DATUM REFERENCE FRAME IN ACCORDANCE WITH SECT 4.4.1.1 OF ASME Y14.5M-1994.
- 7. REFERENCE APPLICATION SPEC. 114-13120, HOLE A, FOR RECOMMENDED DRILL HOLE DIAMETER AND PLATING THICKNESS.
- 8. REFERENCE APPLICATION SPEC. 114-13120, HOLE B, FOR RECOMMENDED DRILL HOLE DIAMETER AND PLATING THICKNESS.
- 9. HOLE PATTERN REPEATS FOR EACH PORT. SPACING BETWEEN PORTS IS 14.25mm.
- 10. MINIMUM PC BOARD THICKNESS:
SINGLE SIDED = 1.50
DOUBLE SIDED = 2.25
- 11. CERTAIN MATING TRANSCEIVERS MAY REQUIRE ADDITIONAL PCB THICKNESS THAT WOULD NEED TO BE DETERMINED BY THE CUSTOMER.
- 12. PRODUCT COMPLIES WITH WITH SPECIFICATION SFF-8433 IMPROVED PLUGGABLE FORM FACTOR FOR SFP+ GANGED CAGES.



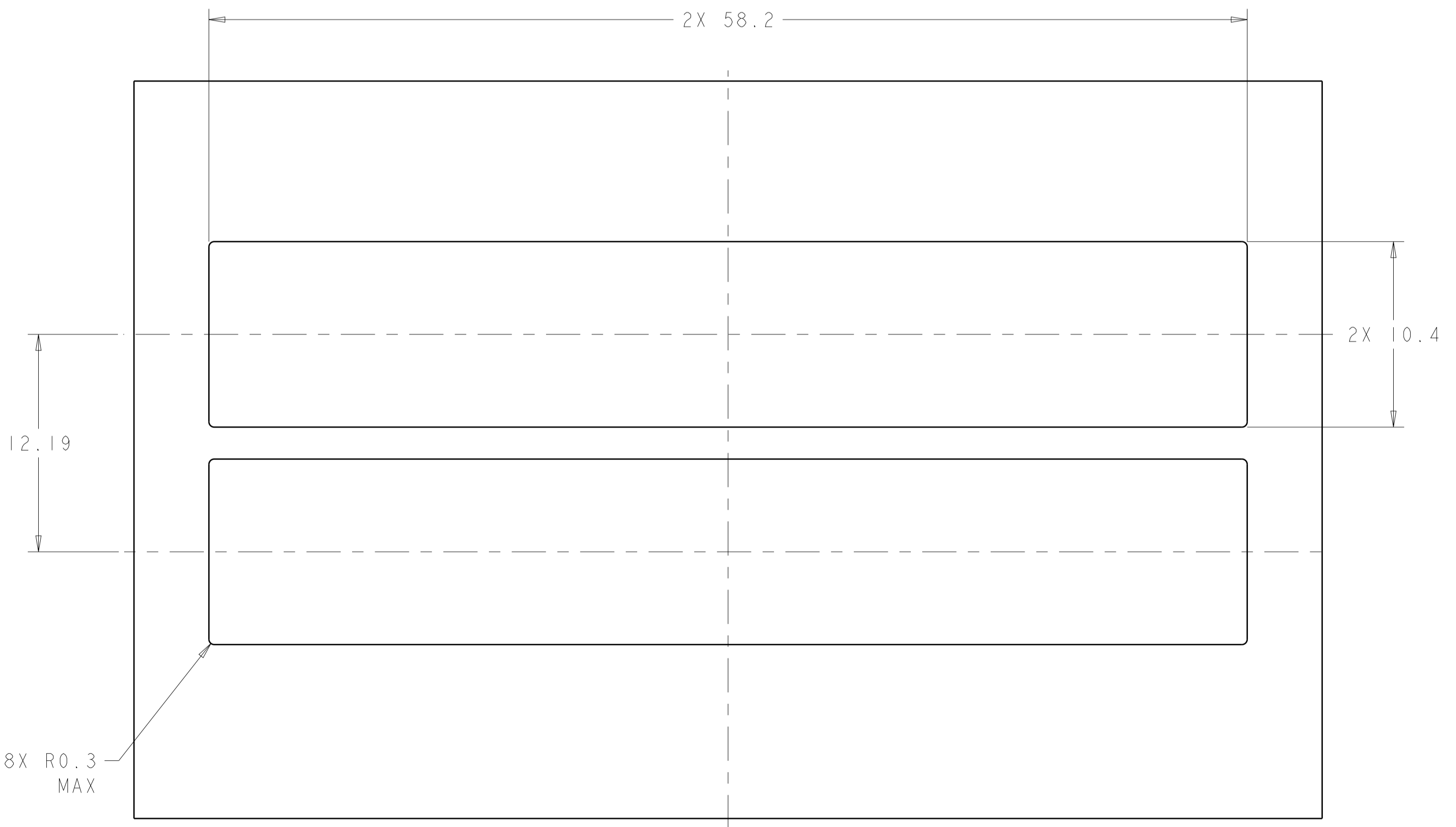
2169260-1
PART
NUMBER

THIS DRAWING IS A CONTROLLED DOCUMENT.		DWN B. MATTHEWS 10DEC2010	TE Connectivity	
DIMENSIONS:		CHK M. SCHMITT 10DEC2010	NAME	
mm	TOLERANCES UNLESS OTHERWISE SPECIFIED:	APVD M. SCHMITT 10DEC2010	SFP+ ENHANCED 1X4 CAGE ASSEMBLY PRESS FIT, EXTERNAL EMI SPRINGS	
0 PLC	±0.1	PRODUCT SPEC	SIZE	CAGE CODE
1 PLC	±0.1	108-2364	A1	00779
2 PLC	±0.1	APPLICATION SPEC	SCALE	5:1
3 PLC	±0.1	114-13120	SHEET	1 OF 4
4 PLC	±0.1	WEIGHT	REV	A
ANGLES	±1°	Customer Drawing		

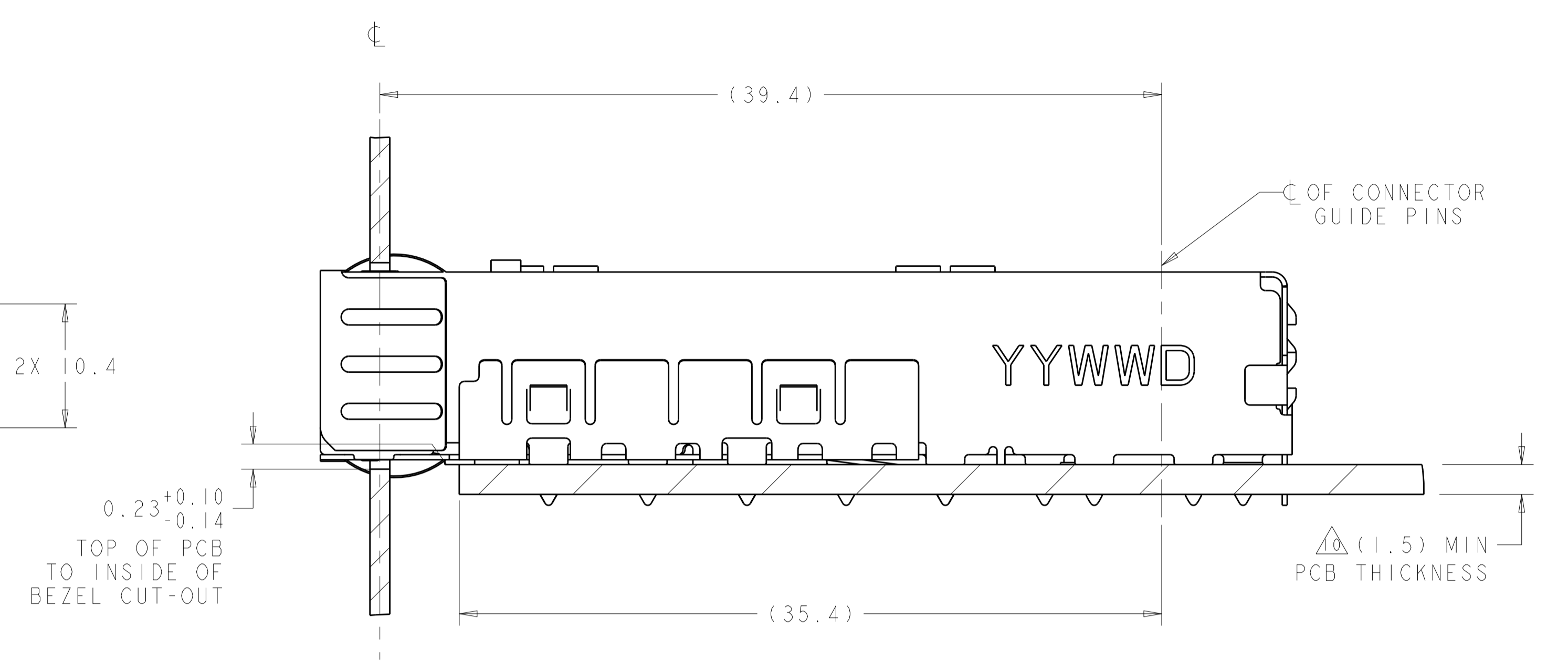
LOC	DIST	REVISIONS			
P	LTN	DESCRIPTION	DATE	DMN	APVD
-	-	SEE SHEET 1	-	-	-



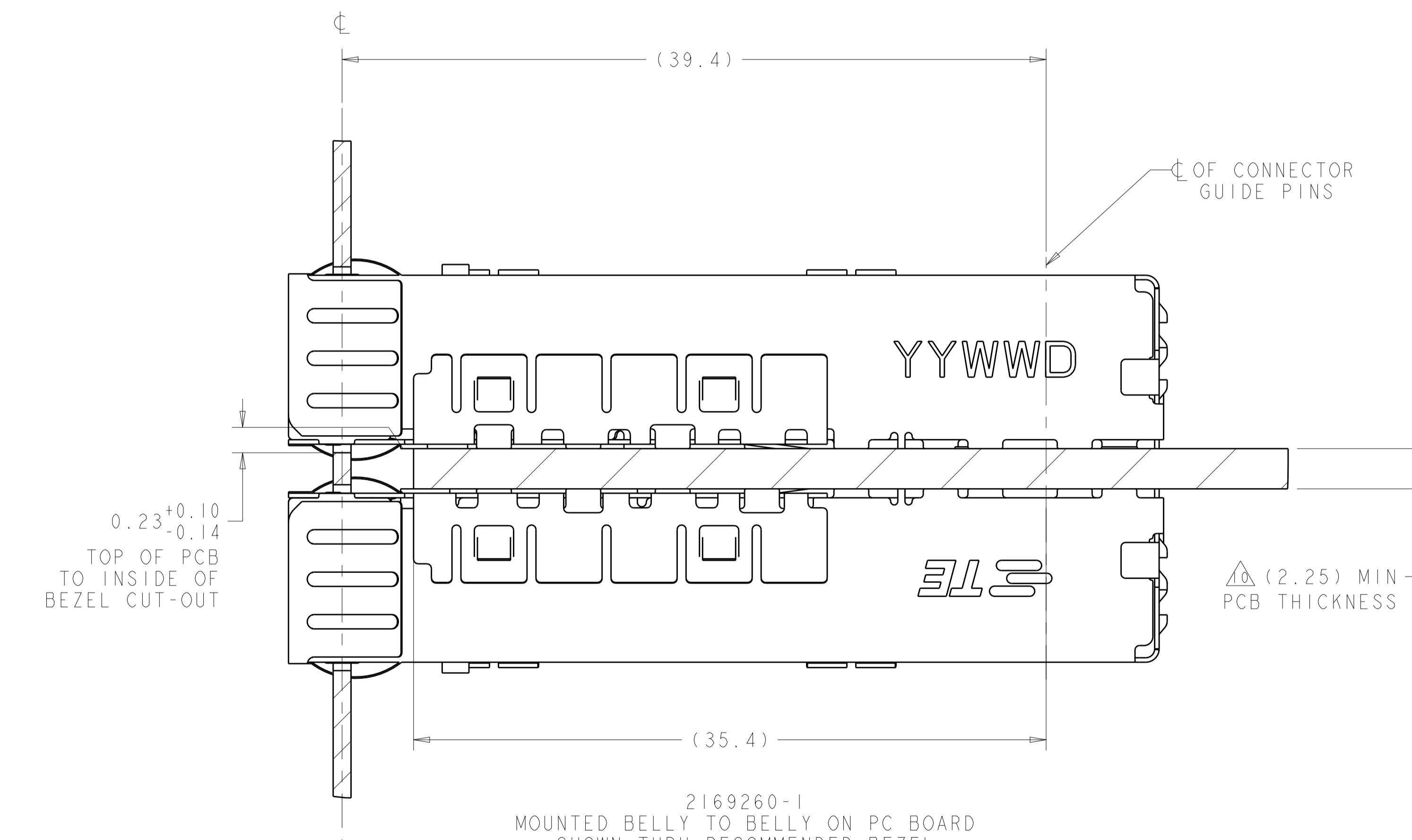
RECOMMENDED BEZEL CUT-OUT
 SINGLE SIDED APPLICATIONS
 SCALE 3:1



RECOMMENDED BEZEL CUT-OUT
 BELLY TO BELLY APPLICATIONS



2169260-1
 MOUNTED ON PC BOARD
 SHOWN THRU RECOMMENDED BEZEL

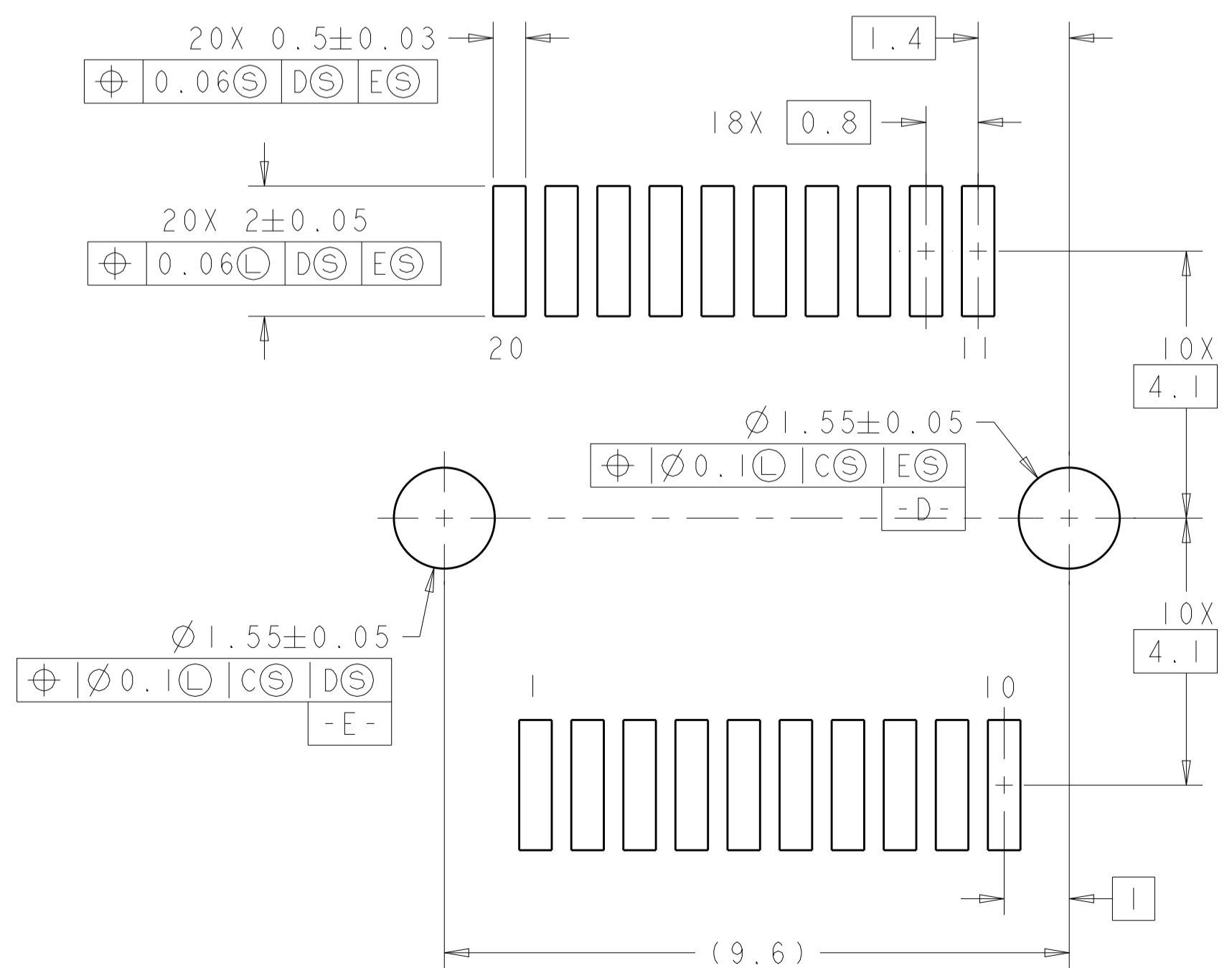
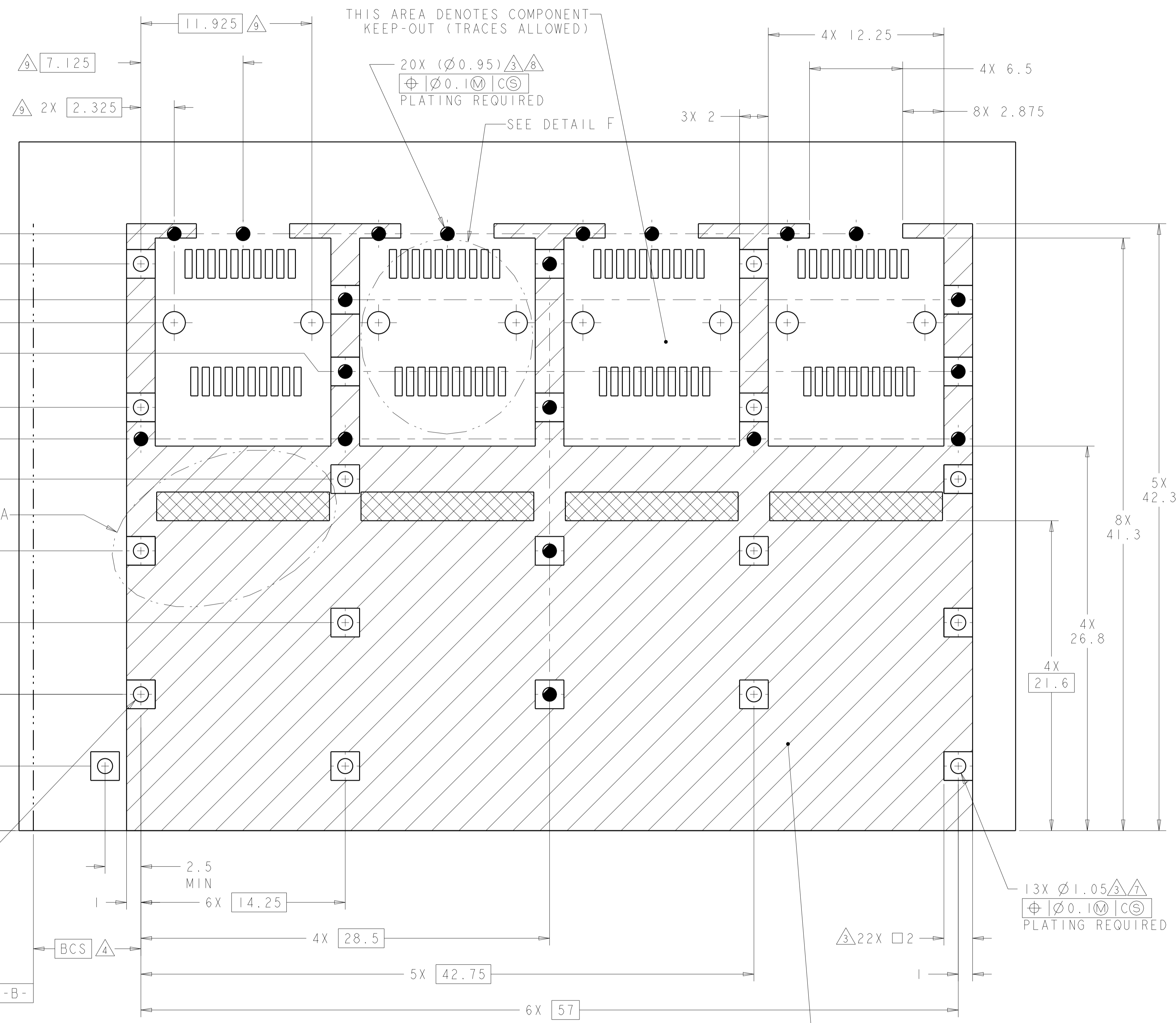
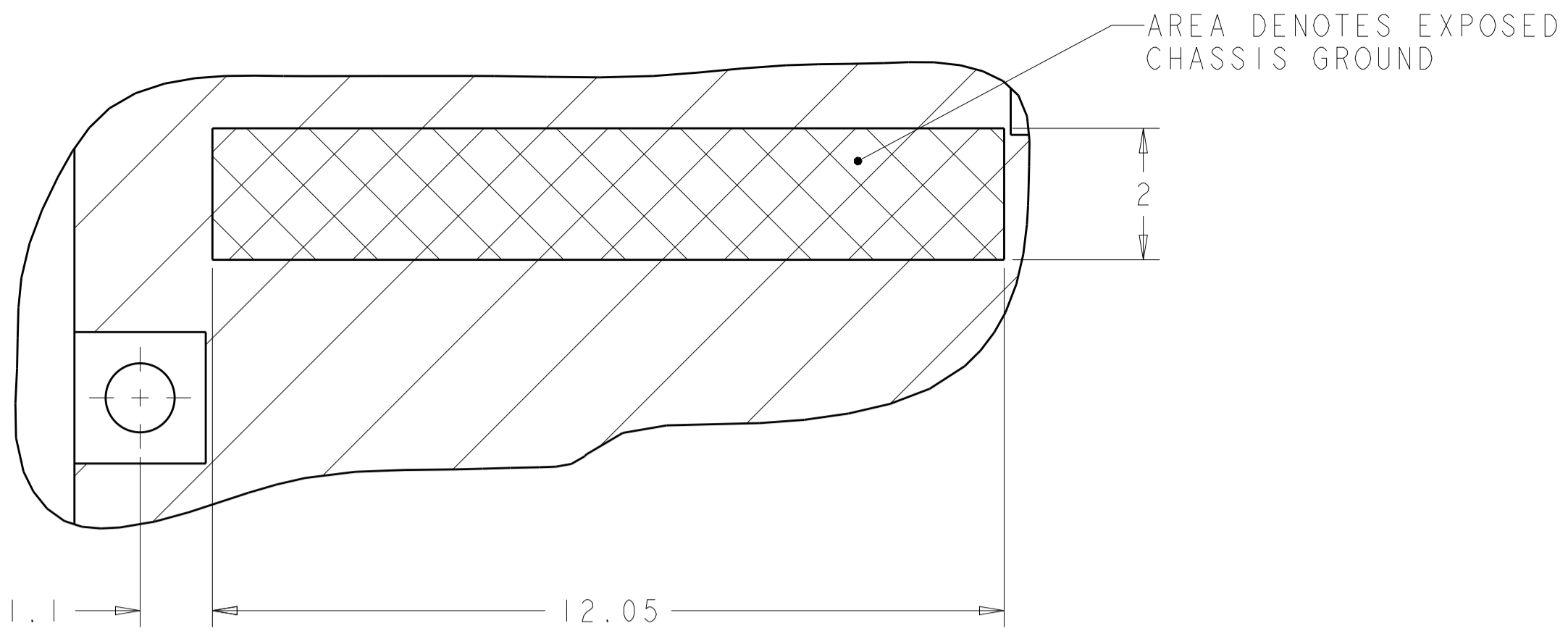


2169260-1
 MOUNTED BELLY TO BELLY ON PC BOARD
 SHOWN THRU RECOMMENDED BEZEL

THIS DRAWING IS A CONTROLLED DOCUMENT.		DMN B. MATTHEWS	10DEC2010	STE TE Connectivity
DIMENSIONS: mm		CHK M. SCHMITT	10DEC2010	
TOLERANCES UNLESS OTHERWISE SPECIFIED:		APVD M. SCHMITT	10DEC2010	NAME SFP+ ENHANCED 1X4 CAGE ASSEMBLY PRESS FIT, EXTERNAL EMI SPRINGS
0 PLC ±0.1		PRODUCT SPEC	108-2364	
1 PLC ±0.1		APPLICATION SPEC	114-13120	SIZE CAGE CODE DRAWING NO
2 PLC ±0.1		WEIGHT	-	A100779C=2169260
3 PLC ±0.1		RESTRICTED TO	-	SCALE 5:1 SHEET 2 OF 4 REV A
4 PLC ±0.1		Customer Drawing	-	
ANGLES ±1°				
FINISH				

LOC	DIST	REV	DATE	APPD	APVD
GP	00				

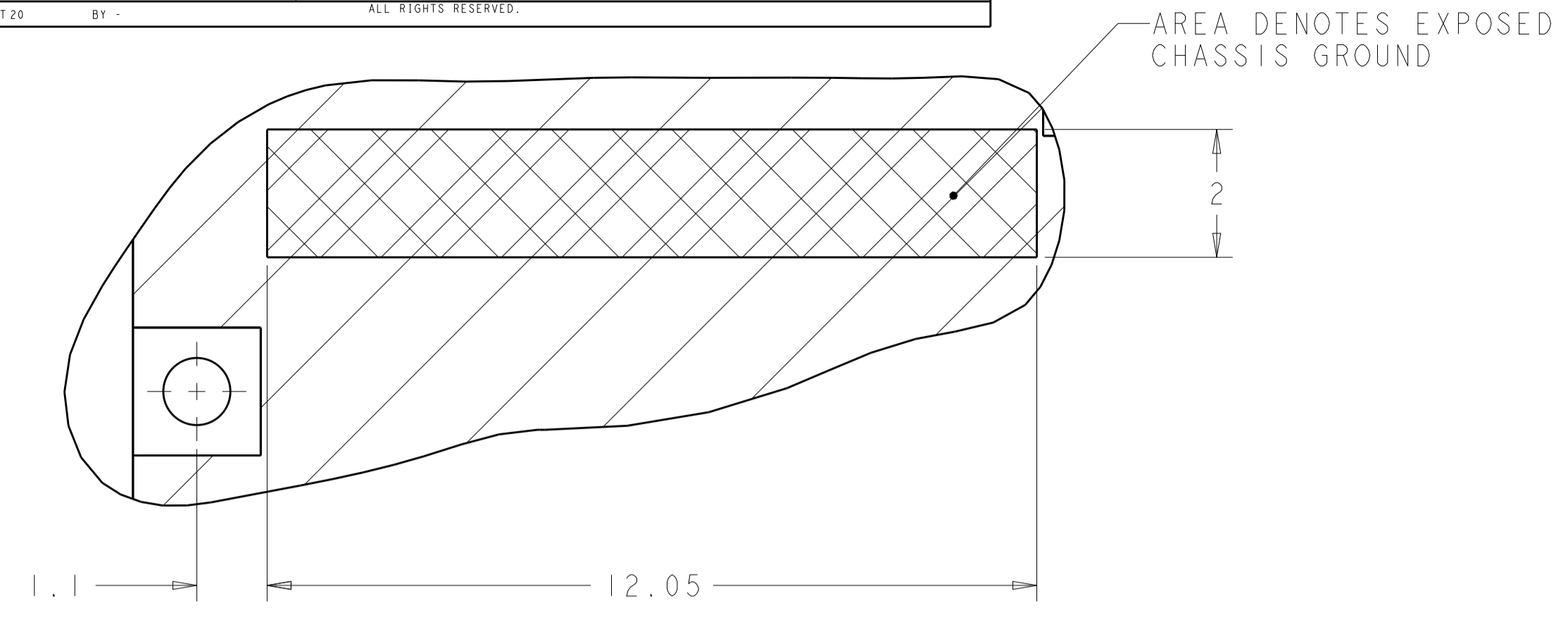
REVISIONS					
REV	DATE	BY	APPD	DESCRIPTION	DATE
-	-	-	-	SEE SHEET 1	-



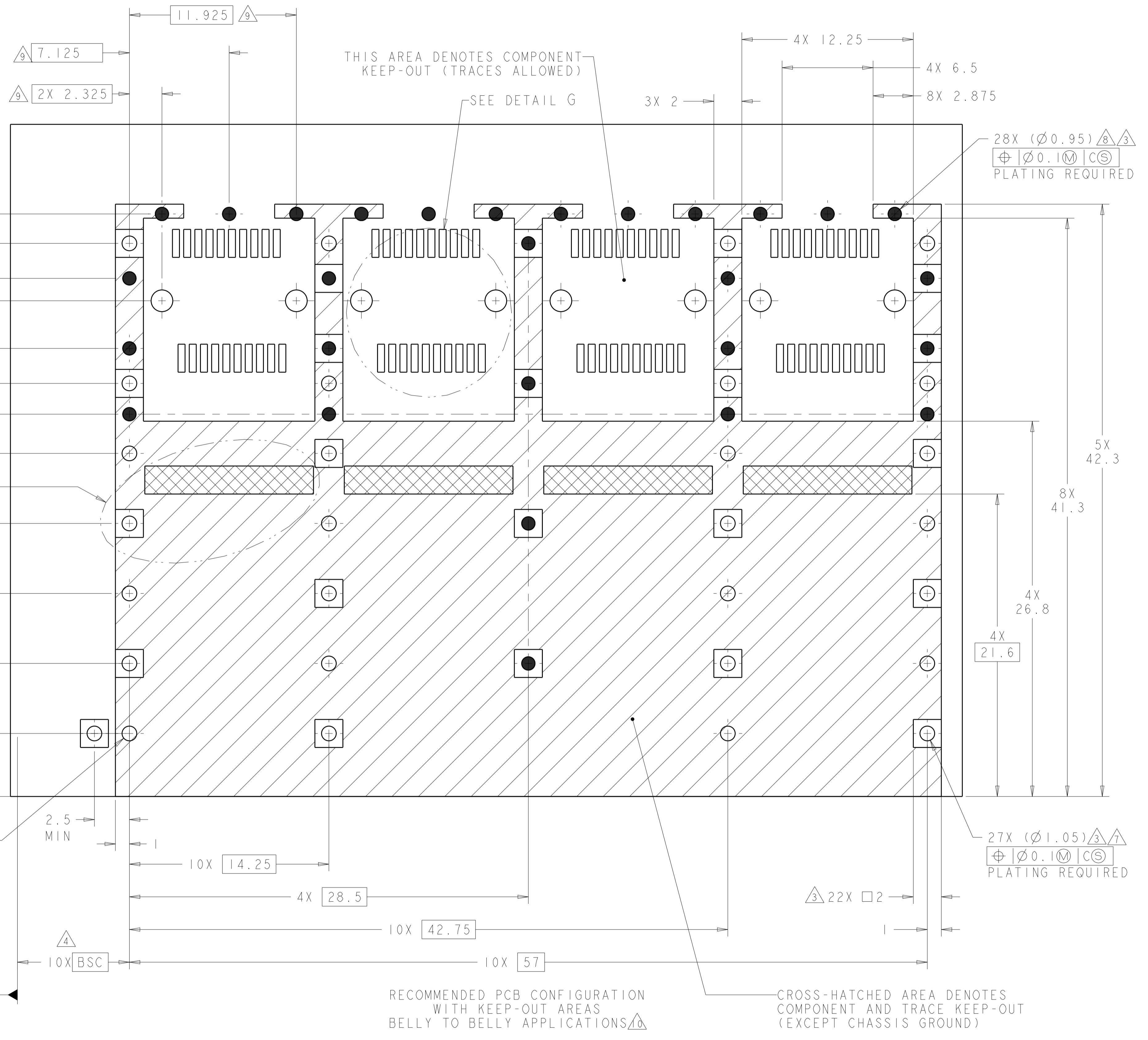
RECOMMENDED PCB CONFIGURATION WITH KEEP-OUT AREAS SINGLE SIDED APPLICATIONS

THIS DRAWING IS A CONTROLLED DOCUMENT.		OWN: B. MATTHEWS	DATE: 10DEC2010
DIMENSIONS: mm		CHK: M. SCHMITT	DATE: 10DEC2010
TOLERANCES UNLESS OTHERWISE SPECIFIED:		APVD: M. SCHMITT	DATE: 10DEC2010
0 PLC	±0.1	NAME: SFP+ ENHANCED 1X4 CAGE ASSEMBLY PRESS FIT, EXTERNAL EMI SPRINGS	
1 PLC	±0.1	PRODUCT SPEC: 108-2364	
2 PLC	±0.1	APPLICATION SPEC: 114-13120	
3 PLC	±0.1	SIZE: CAGE CODE DRAWING NO: A100779	
4 PLC	±0.1	RESTRICTED TO: -	
ANGLES	±1°	SCALE: 5:1	
MATERIAL:	FINISH:	SHEET 3 OF 4	
WEIGHT:		REV: A	

LOC	DIST	REVISIONS			
GP	00	REV	DATE	BY	APPV
-	-	SEE SHEET 1	-	-	-



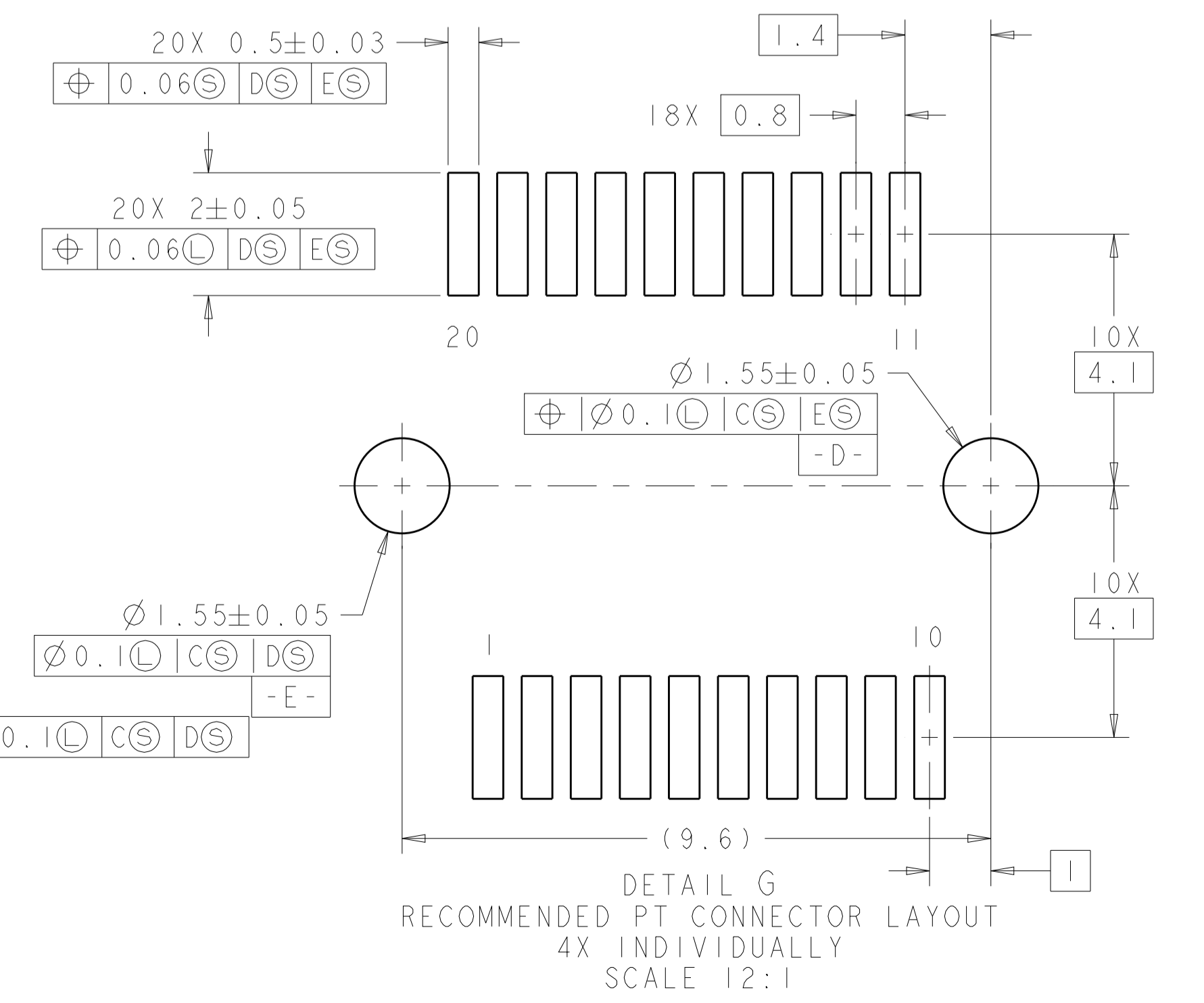
DETAIL B
 4X INDIVIDUALLY
 SCALE 12:1



THIS AREA DENOTES COMPONENT
 KEEP-OUT (TRACES ALLOWED)

RECOMMENDED PCB CONFIGURATION
 WITH KEEP-OUT AREAS
 BELLY TO BELLY APPLICATIONS

CROSS-HATCHED AREA DENOTES
 COMPONENT AND TRACE KEEP-OUT
 (EXCEPT CHASSIS GROUND)



DETAIL G
 RECOMMENDED PT CONNECTOR LAYOUT
 4X INDIVIDUALLY
 SCALE 12:1

THIS DRAWING IS A CONTROLLED DOCUMENT.		OWN: B. MATTHEWS	DATE: 10DEC2010	STE TE Connectivity
DIMENSIONS: mm		CHK: M. SCHMITT	DATE: 10DEC2010	
TOLERANCES UNLESS OTHERWISE SPECIFIED:		APVD: M. SCHMITT	DATE: 10DEC2010	NAME: SFP+ ENHANCED 1X4 CAGE ASSEMBLY PRESS FIT, EXTERNAL EMI SPRINGS
0 PLC ±0.1		PRODUCT SPEC	108-2364	
1 PLC ±0.1		APPLICATION SPEC	114-13120	
2 PLC ±0.1		WEIGHT	-	
3 PLC ±0.1		SIZE: CAGE CODE DRAWING NO	A100779C=2169260	RESTRICTED TO
4 PLC ±0.1		SCALE: 5:1	SHEET 4 OF 4	REV A
ANGLES ±1°		Customer Drawing		

X-ON Electronics

Largest Supplier of Electrical and Electronic Components

Click to view similar products for [I/O Connectors](#) category:

Click to view products by [TE Connectivity](#) manufacturer:

Other Similar products are found below :

[571763P](#) [58098-0628](#) [72.250.1628.2](#) [72.250.2428.2](#) [74720-0505](#) [76.350.0729.0](#) [76871-1403](#) [FCN-244F080-G/1](#) [FCN-260A9920](#) [PCR-E36PM](#) [PCS-XE26MA+](#) [G38A71314B](#) [1571250010](#) [157-22500-3](#) [MS3471L14-19P L/C](#) [172501-4002](#) [172501-6002](#) [FCN-260C008-A/L0](#) [FCN-260C024-AL0](#) [FCN-261Z008](#) [2000314-1](#) [200331-1](#) [PCR-E36FC+](#) [PCS-E28FS+](#) [PCS-XE26SLFD+](#) [PCS-XE26SLFDT+](#) [G730VID08BDC24](#) [U90B2054081210](#) [38113800006](#) [DP3AR020WQ1R200](#) [Z4.102.0680.0](#) [500-1040](#) [500-1052](#) [500-1054](#) [ZP-4008-66L](#) [0709821002](#) [DX40-20P\(55\)](#) [5554841-1](#) [MS3474W18-8P-LC*](#) [U90B3054061110](#) [U65-E04-4020](#) [ZPF000000000097891](#) [747360449](#) [10099439-003C-TRLF](#) [10137239-0021LF](#) [E9320-001-01](#) [10137239-0011LF](#) [70289-001LF](#) [70.060.1028.0](#) [109029-ZZ](#)