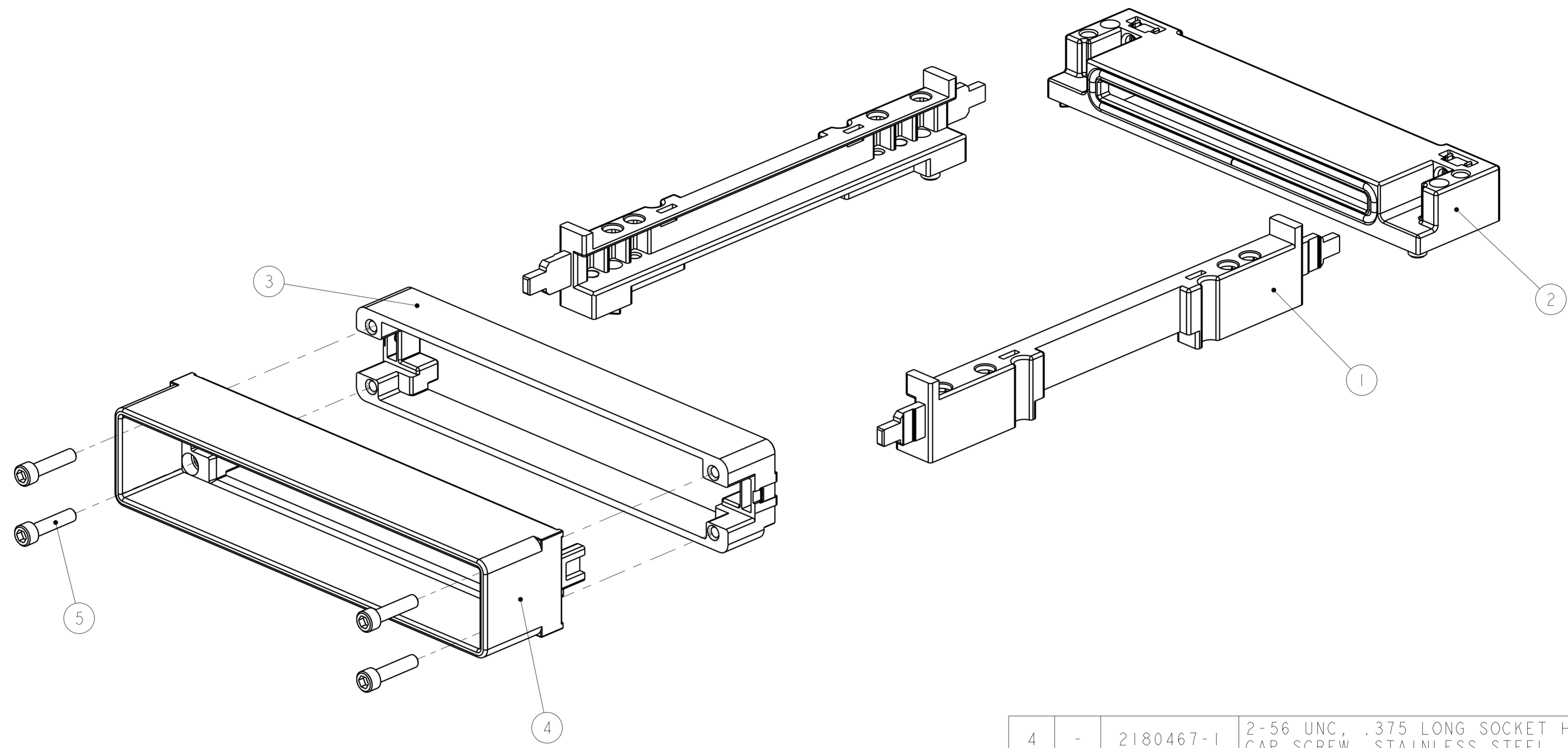



THIS DRAWING IS UNPUBLISHED. RELEASED FOR PUBLICATION 20
 © COPYRIGHT 20 BY - ALL RIGHTS RESERVED.

LOC	DIST	REVISIONS					
GP	00	P	LTR	DESCRIPTION	DATE	DWN	APVD
		B		REVISED PER ECO-12-021786	04MAR2013	CJV	MRS
		BI		REVISED PER ECO-19-001697	18FEB2019	IT	SH

I . BULK PACKED



4	-	2180467-1	2-56 UNC, .375 LONG SOCKET HEAD CAP SCREW, STAINLESS STEEL	5
1	1	2057626-1	EXTERNAL BRACKET ASSEMBLY	4
1	1	2057930-1	BACKER PLATE ASSEMBLY	3
1	1	2057631-1	CONNECTOR COVER ASSEMBLY	2
2	2	2057592-2	GUIDE RAIL	1
-2	-1	PART NUMBER	DESCRIPTION	ITEM NO

THIS DRAWING IS A CONTROLLED DOCUMENT. DIMENSIONING AND TOLERANCING PER ASME Y14.5M-2009		DWN M. SCHMITT 3DEC2010	 TE Connectivity NAME HARDWARE KIT, CFP, NO HEATSINK
DIMENSIONS: mm		CHK M. SCHMITT 3DEC2010	
TOLERANCES UNLESS OTHERWISE SPECIFIED:		APVD B. WERTZ 3DEC2010	
0 PLC ± 1 PLC ± 2 PLC ± 3 PLC ± 4 PLC ± ANGLES ± FINISH		PRODUCT SPEC 108-2399 APPLICATION SPEC 114-13263 WEIGHT -	
MATERIAL	-	CUSTOMER DRAWING	SIZE A200779 CAGE CODE C-2169666 DRAWING NO G-2169666 RESTRICTED TO SCALE 2:1 SHEET 1 OF 1 REV BI

X-ON Electronics

Largest Supplier of Electrical and Electronic Components

Click to view similar products for [I/O Connectors](#) category:

Click to view products by [TE Connectivity](#) manufacturer:

Other Similar products are found below :

[571763P](#) [72.250.1628.2](#) [72.250.2428.2](#) [74720-0505](#) [76.350.0729.0](#) [76871-1403](#) [FCN-244F080-G/1](#) [FCN-260A9920](#) [MP-5T180MUNNA-005](#)
[PCR-E36PM](#) [PCS-XE26MA+](#) [G38A71314B](#) [1571250010](#) [157-22500-3](#) [MS3471L14-19P L/C](#) [91-569786-35H](#) [172501-4002](#) [172501-6002](#)
[FCN-260C008-A/L0](#) [FCN-260C024-AL0](#) [FCN-261Z008](#) [2000314-1](#) [200331-1](#) [PCR-E36FC+](#) [PCS-E28FS+](#) [PCS-XE26SLFD+](#) [PCS-](#)
[XE26SLFDT+](#) [G730VID08BDC24](#) [U90B2054081210](#) [UE86K842720321](#) [38113800006](#) [DP3AR020WQ1R200](#) [Z4.102.0680.0](#) [500-1040](#)
[500-1052](#) [500-1054](#) [ZP-4008-66L](#) [0709821002](#) [10-565995-597N](#) [DX40-20P\(55\)](#) [5554841-1](#) [U90B3054061110](#) [U65-E04-4020](#)
[ZPF00000000097891](#) [557-262M2-06C](#) [747360449](#) [10099439-003C-TRLF](#) [10137239-0021LF](#) [E9320-001-01](#) [10137239-0011LF](#)