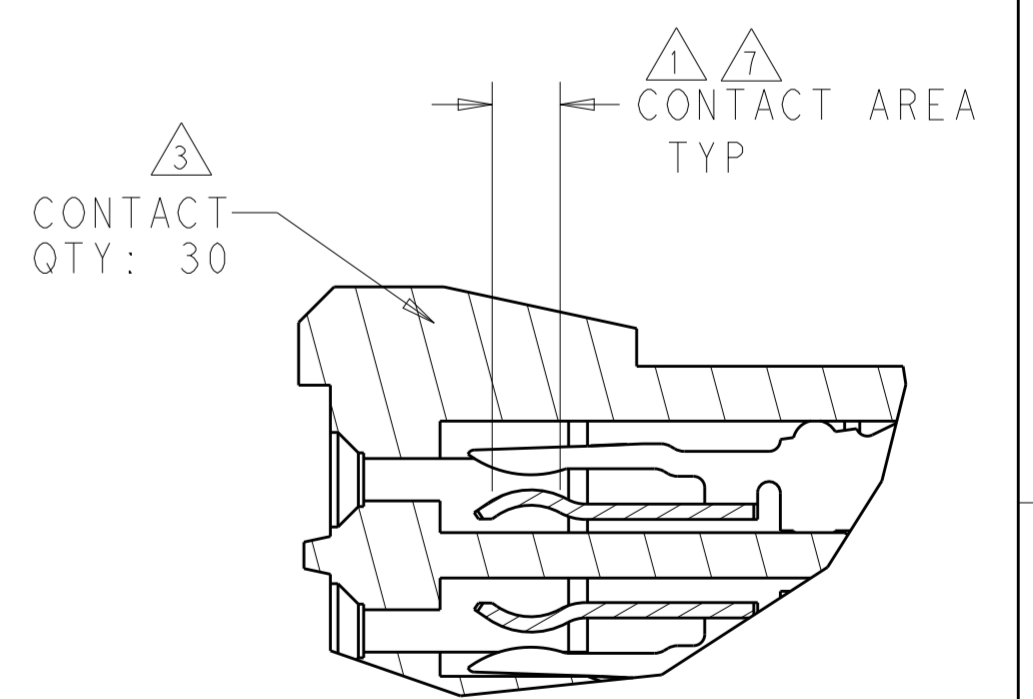
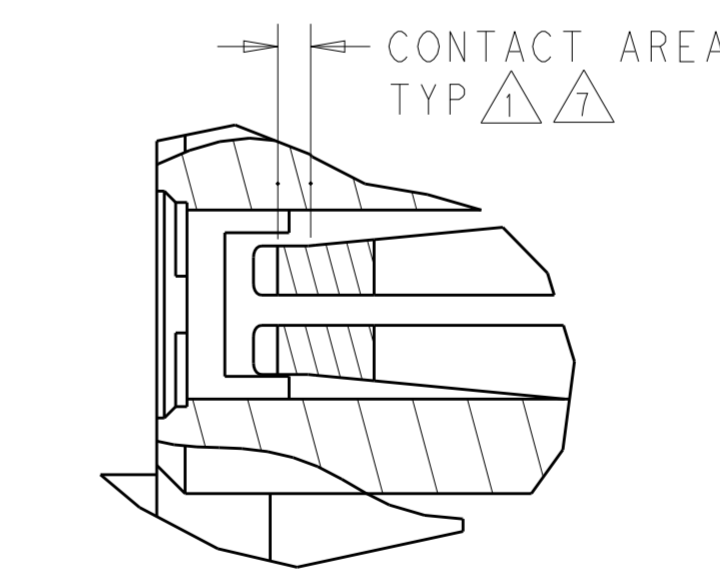
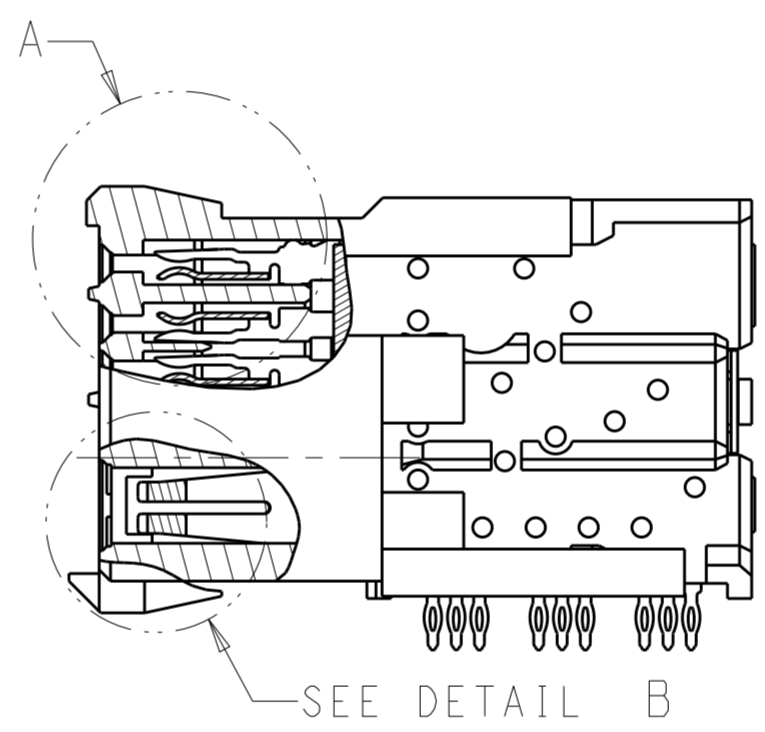
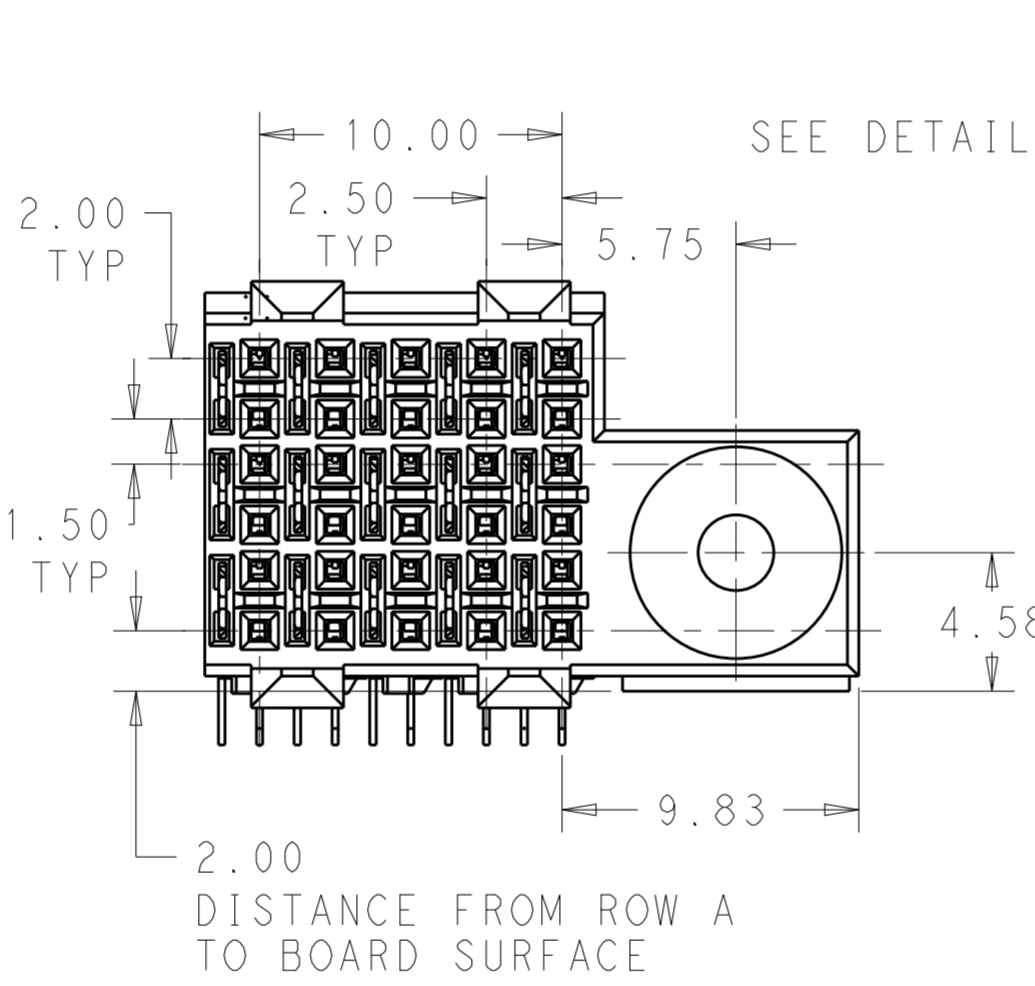
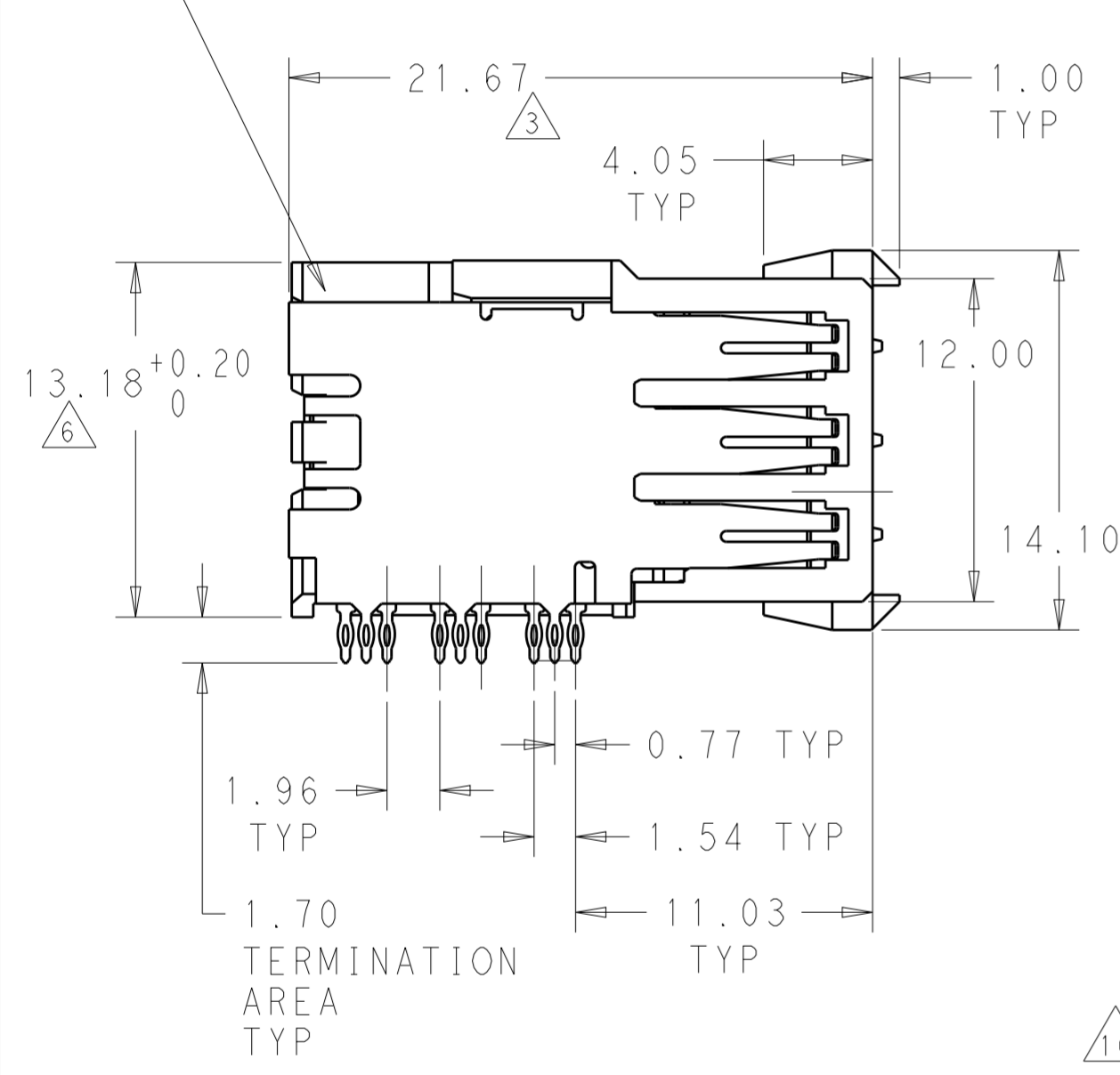
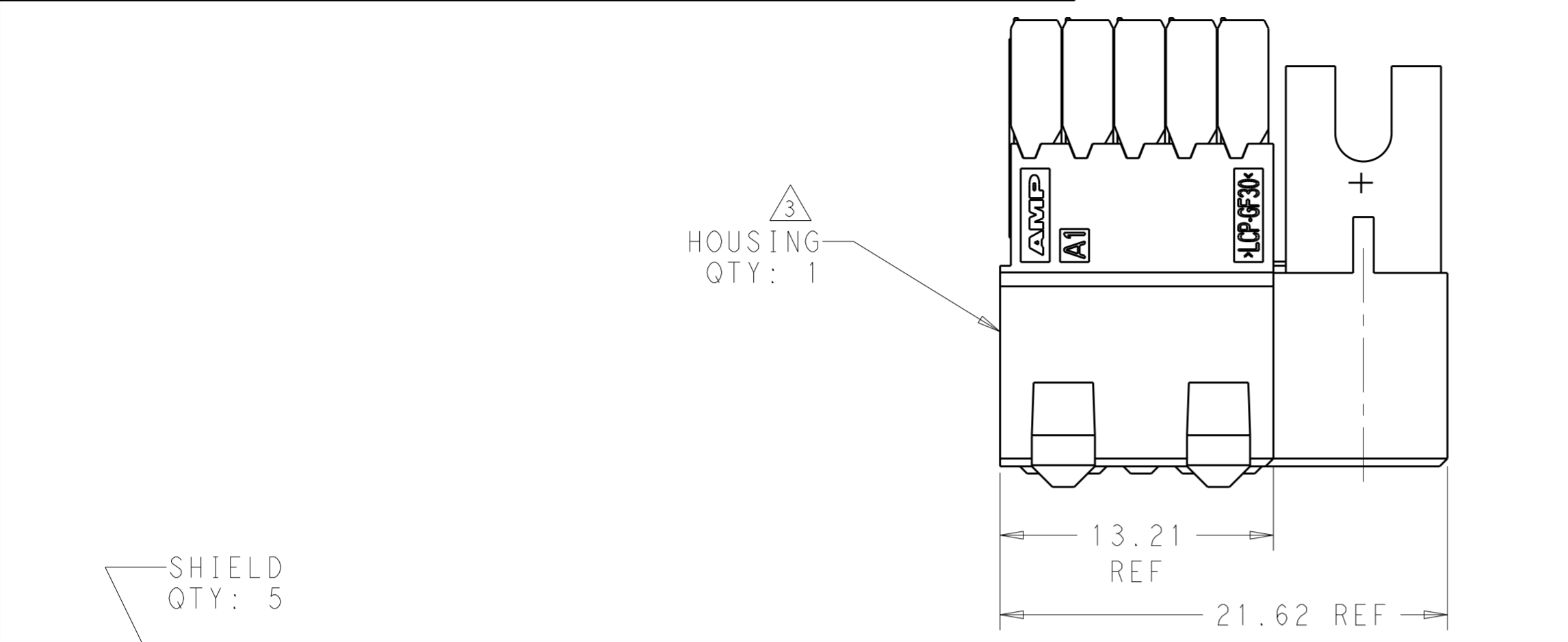


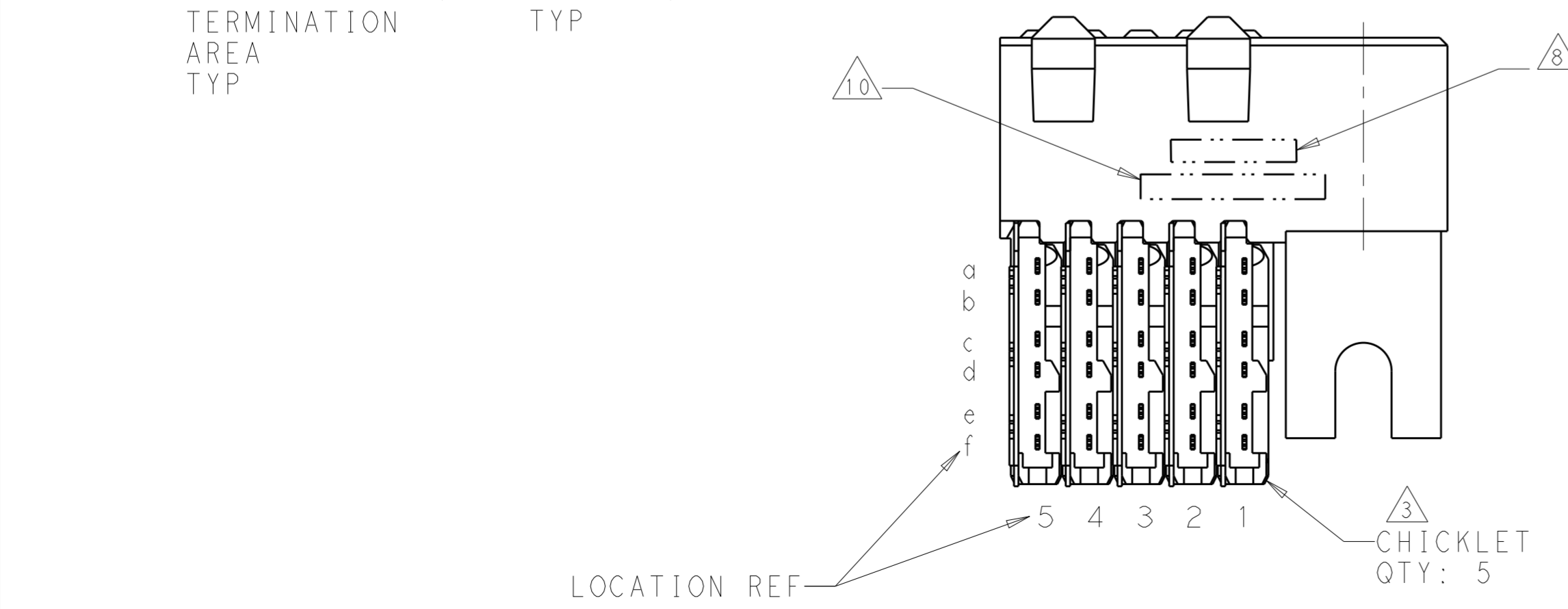
THIS DRAWING IS UNPUBLISHED. RELEASED FOR PUBLICATION 20
 © COPYRIGHT 20 BY - ALL RIGHTS RESERVED.

REVISIONS					
P	LTR	DESCRIPTION	DATE	DWN	APVD
	B	REVISED PER ECO-14-017188	21NOV2014	AP	RP



DETAIL B SCALE 10:1

DETAIL A SCALE 10:1

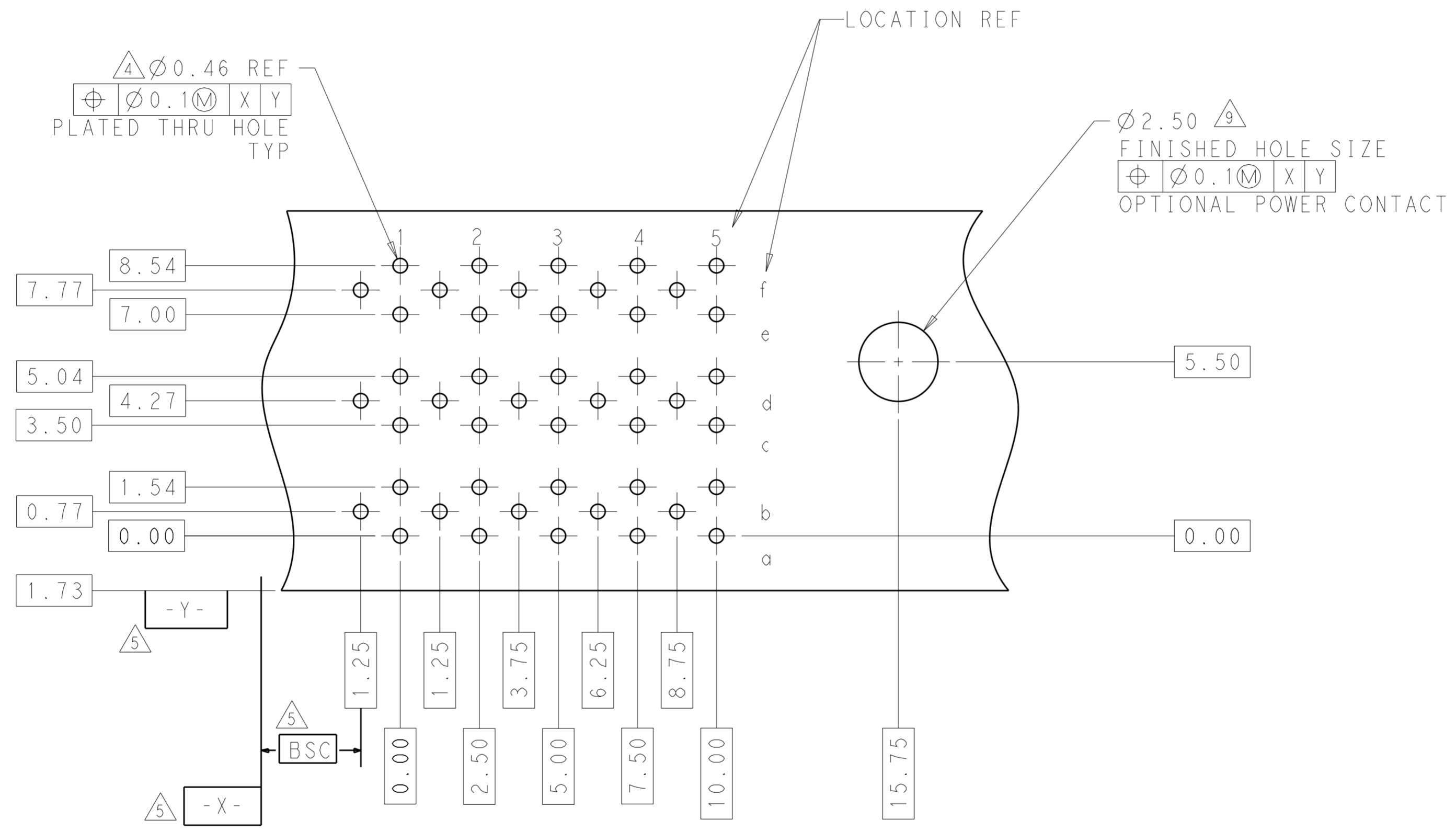


- 1 0.76µm MIN GOLD OVER 1.27µm MIN NICKEL OR GOLD FLASH OVER 0.76µm MIN PALLADIUM-NICKEL OVER 1.27µm MIN NICKEL
- 2 0.76µm MIN TIN OVER 1.27µm MIN NICKEL
- 3 MATERIAL:
CONTACT - COPPER ALLOY
SHIELD - PHOSPHOR BRONZE
HOUSING - LCP, UL94V-0
CHICKLET - GLASS FILLED POLYESTER
- 4 REFERENCE APPLICATION SPEC 114-13020 FOR RECOMMENDED PLATED THRU HOLE DIAMETER AND PLATING THICKNESS.
- 5 DATUM AND BASIC DIMENSION ESTABLISHED BY CUSTOMER.
- 6 SEATING HEIGHT TO BOARD SURFACE.
- 7 CONTACT AREA LUBRICATED WITH BELLCORE APPROVED LUBRICANT. TECHNICAL REFERENCE: GR-1217-CORE, ISSUE 1, NOVEMBER 1995.
- 8 DATE CODE
- 9 OPTIONAL POWER CONTACT PN 535875-X
- 10 PART NUMBER

THIS DRAWING IS A CONTROLLED DOCUMENT.		DWN M. BOWERS 07 JAN 2011	TE Connectivity	
DIMENSIONS: mm		CHK M. BOWERS 07 JAN 2011		
TOLERANCES UNLESS OTHERWISE SPECIFIED:		APVD M. BOWERS 07 JAN 2011	NAME RECEPTACLE ASSEMBLY, 30 POSITION RIGHT HAND, 6 ROW, DUAL BEAM Z-PACK HS3 PLUS	
0 PLC ±		PRODUCT SPEC 108-1957	SIZE A2	
1 PLC ±0.5		APPLICATION SPEC 114-13020	CAGE CODE 00779	
2 PLC ±0.13		WEIGHT -	DRAWING NO C-2169722	
3 PLC ±		Customer Drawing	RESTRICTED TO -	
4 PLC ±		SCALE 3:1	SHEET 1 OF 2	
ANGLES ±		REV B		
FINISH				

THIS DRAWING IS UNPUBLISHED. RELEASED FOR PUBLICATION 20
 © COPYRIGHT 20 BY - ALL RIGHTS RESERVED.

REVISIONS				
P	LTR	DESCRIPTION	DATE	APVD
-		SEE SHEET 1	-	-



RECOMMENDED PRINTED
 CIRCUIT BOARD LAYOUT
 COMPONENT SIDE OF PRINTED CIRCUIT BOARD

THIS DRAWING IS A CONTROLLED DOCUMENT.		DWN M. BOWERS 07 JAN 2011	TE Connectivity	
DIMENSIONS: mm		CHK M. BOWERS 07 JAN 2011		
TOLERANCES UNLESS OTHERWISE SPECIFIED:		APVD M. BOWERS 07 JAN 2011	NAME RECEPTACLE ASSEMBLY, 30 POSITION RIGHT HAND, 6 ROW, DUAL BEAM Z-PACK HS3 PLUS	
0 PLC \pm 1 PLC ± 0.5 2 PLC ± 0.13 3 PLC \pm 4 PLC \pm ANGLES \pm FINISH		PRODUCT SPEC 108-1957	SIZE A200779	
MATERIAL		APPLICATION SPEC 114-13020	DRAWING NO C-2169722	
		WEIGHT -	RESTRICTED TO -	
		Customer Drawing	SCALE 3:1	SHEET 1 OF 2
			REV B	

X-ON Electronics

Largest Supplier of Electrical and Electronic Components

Click to view similar products for [Hard Metric Connectors](#) category:

Click to view products by [TE Connectivity](#) manufacturer:

Other Similar products are found below :

[6345127-1](#) [646916-9](#) [6469658-1](#) [973108](#) [1-2000713-0](#) [1-2000713-2](#) [1-2000713-3](#) [1645343-1](#) [1645456-1](#) [1645594-1](#) [1645595-1](#) [1645601-1](#)
[1934822-1](#) [278071110010833](#) [1645179-1](#) [1645245-1](#) [1645457-1](#) [1645525-1](#) [1645570-1](#) [1645596-1](#) [17041102202](#) [1857470-1](#) [1934275-1](#)
[1934289-1](#) [1934759-1](#) [2000673-1](#) [2170292-2](#) [2-536642-6](#) [3-106015-1](#) [352188-1](#) [352629-1](#) [5120823-1](#) [5120899-1](#) [3-100145-0](#) [3-100147-0](#)
[3-100669-1](#) [3-106081-0](#) [HM2DK2368PLF](#) [5646530-1](#) [3-352049-0](#) [3-352069-0](#) [3-352115-0](#) [3-352638-0](#) [352189-1](#) [3-646357-0](#) [3-646487-0](#)
[3-646513-0](#) [104108](#) [106726-1](#) [114352](#)