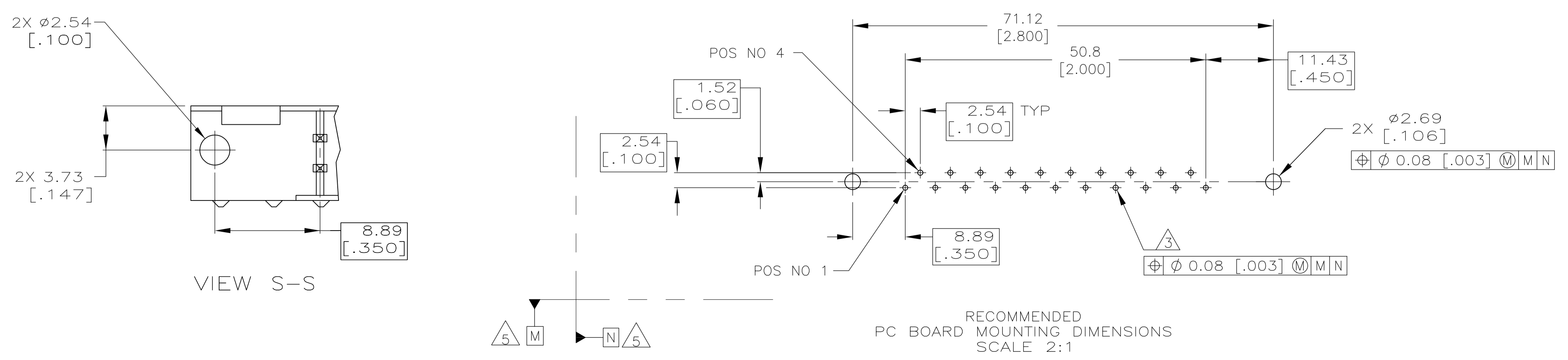
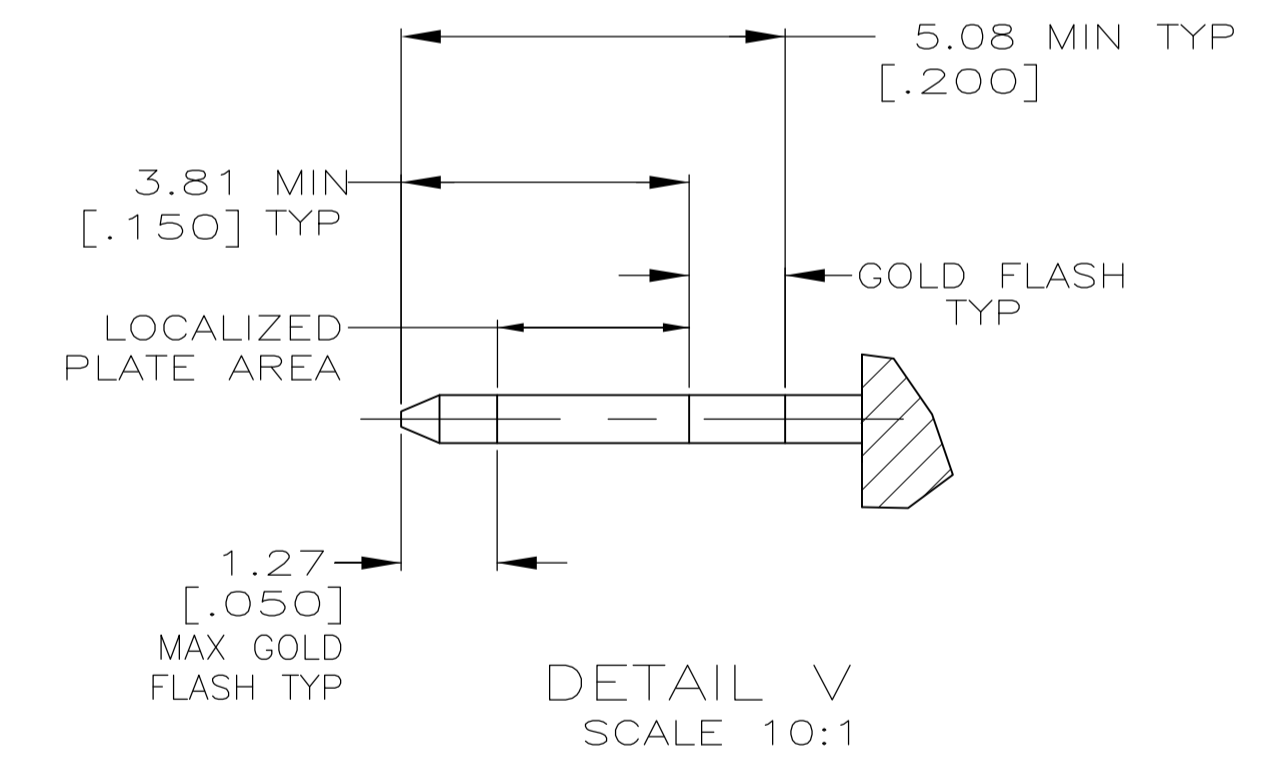
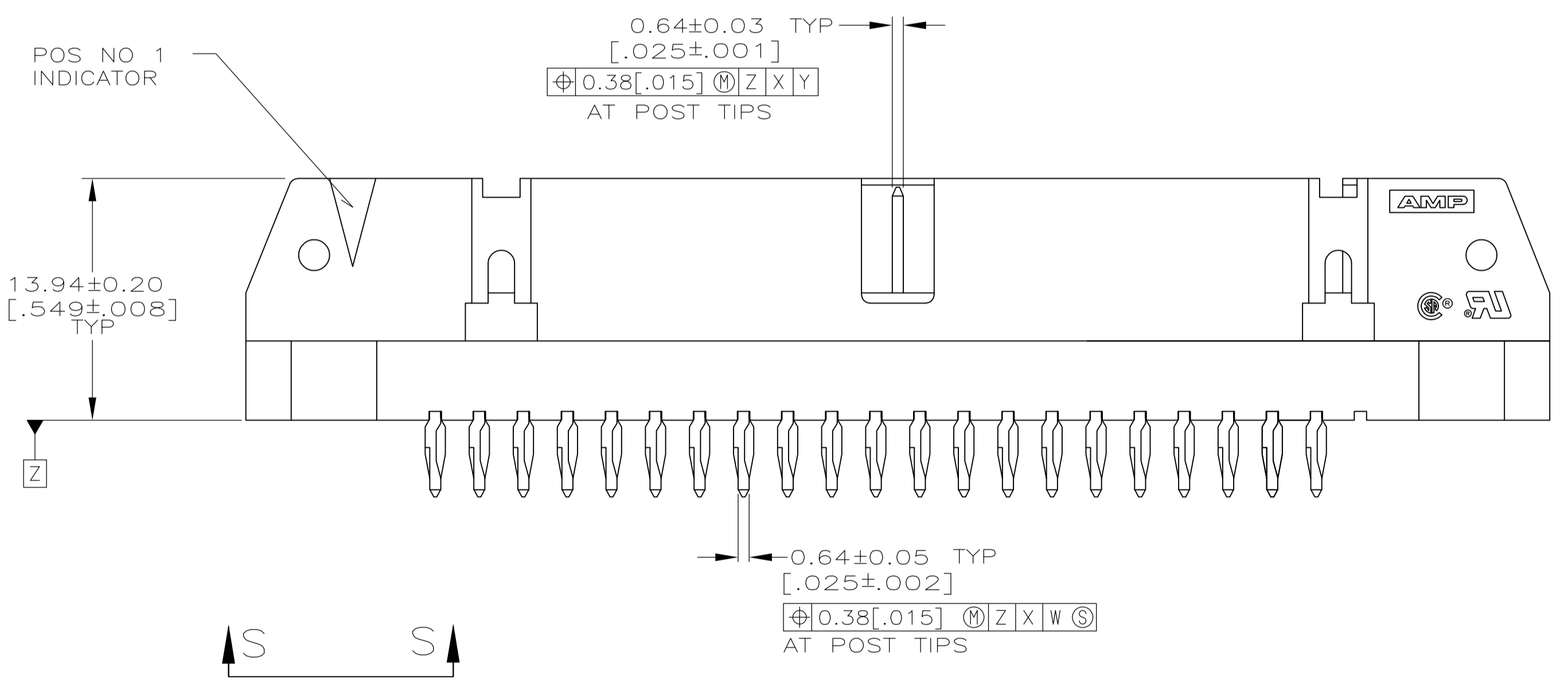
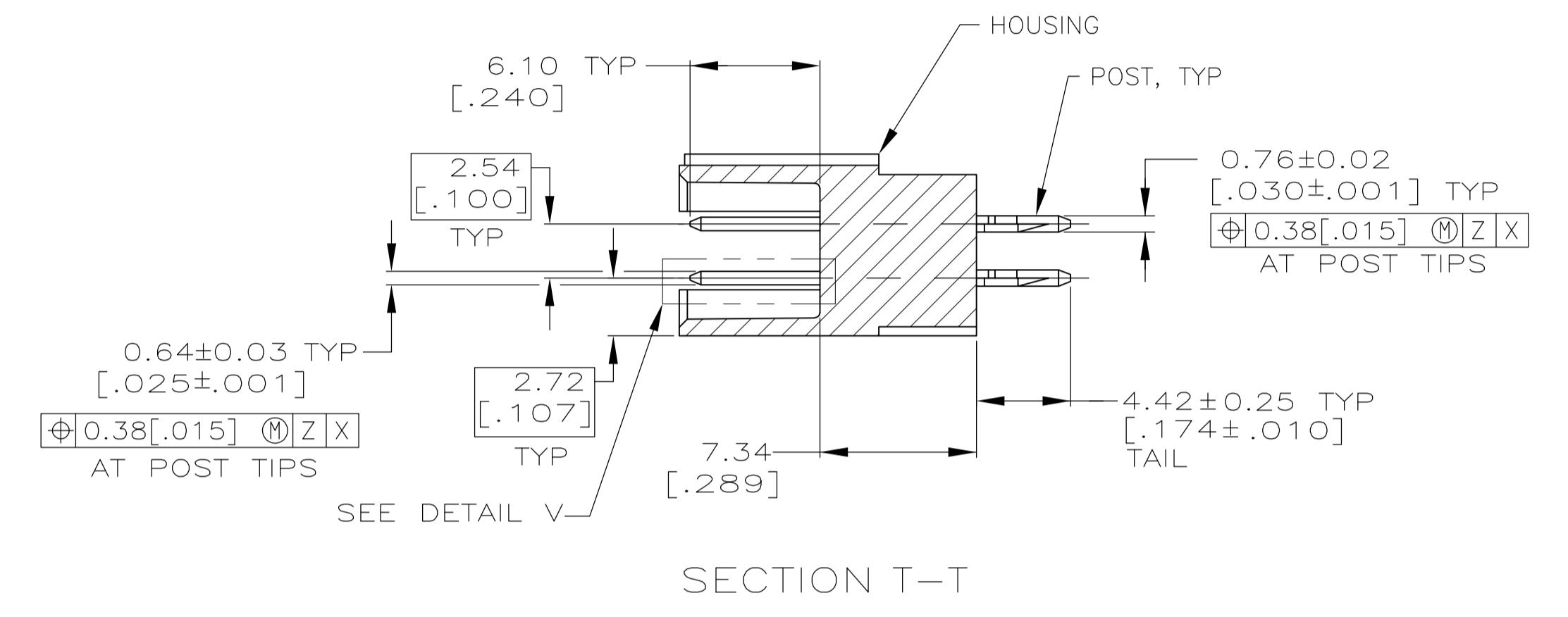
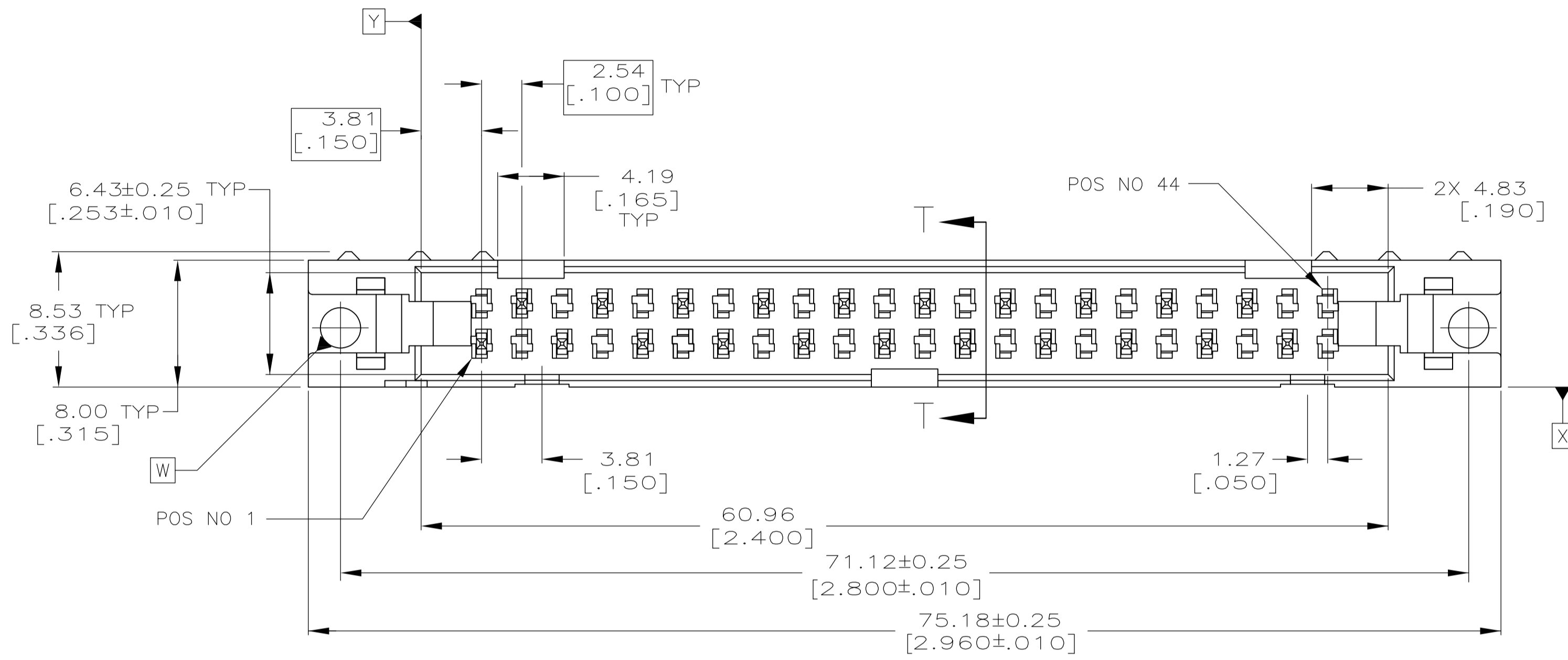


- 1 NO POST LOCATED IN POSITIONS 2, 3, 6, 7, 10, 11, 14, 15, 18, 19, 22, 23, 26, 27, 30, 31, 34, 35, 38, 39, 42, 43, AND 44.
- 2 HOUSING: GLASS FILLED NYLON OR POLYESTER, 94V-0 RATED, BLACK. POSTS: PHOSPHOR BRONZE.
- 3 POSTS: GOLD FLASH OVER PALLADIUM-NICKEL PLATE, $0.76\mu\text{m}[.000030]$ MIN TOTAL ON THE LOCALIZED PLATE AREA, $2.54\mu\text{m}[.000100]$ MIN TIN PLATE ON THE TAIL, $1.27\mu\text{m}[.000050]$ MIN NICKEL UNDERPLATE ON THE ENTIRE POST.
-OR-
 $0.76\mu\text{m}[.000030]$ MIN GOLD PLATE ON THE LOCALIZED PLATE AREA, $2.54\mu\text{m}[.000100]$ MIN TIN PLATE ON THE TAIL, $1.27\mu\text{m}[.000050]$ MIN NICKEL UNDERPLATE ON THE ENTIRE POST.
- 4 REFER TO APPLICATION SPECIFICATION 114-40020 FOR HOLE SIZE AND FINISH RECOMMENDATIONS.
- 5 DATUMS M & N TO BE ESTABLISHED BY CUSTOMER.



RECOMMENDED PC BOARD MOUNTING DIMENSIONS SCALE 2:1

44	2169791-1
NO OF POS	PART NUMBER

THIS DRAWING IS A CONTROLLED DOCUMENT.		DIN C. VALENTINE 02MAR2011		STE TE Connectivity	
DIMENSIONS: mm [INCHES]		TOLERANCES UNLESS OTHERWISE SPECIFIED:		APVD S. BOLASH 02MAR2011 NAME	
0 PLC ± -		1 PLC ± -		PRODUCT SPEC	
2 PLC ± 0.13[.005]		3 PLC ± -		108-40019	
4 PLC ± -		ANGLES ± -		APPLICATION SPEC	
MATERIAL		FINISH		114-40020	
2		3		SIZE CASE CODE DRAWING NO	
CUSTOMER DRAWING		SCALE 4:1		RESTRICTED TO	
		SHEET 1 OF 1		REV A	

X-ON Electronics

Largest Supplier of Electrical and Electronic Components

Click to view similar products for [Power to the Board](#) category:

Click to view products by [TE Connectivity](#) manufacturer:

Other Similar products are found below :

[6450171-4](#) [6450552-7](#) [6600323-8](#) [6643429-1](#) [6646040-2](#) [6651939-1](#) [6766604-1](#) [120959-1](#) [1393557-2](#) [1393532-2](#) [1393532-3](#) [1393532-4](#)
[1393557-1](#) [1600812-5](#) [1-6450861-2](#) [1744132-7](#) [1761122-1](#) [1766250-1](#) [1892109-1](#) [2-6450860-5](#) [2-6450870-0](#) [1-6450161-4](#) [1-6450850-6](#) [1-6450869-6](#) [1645526-2](#) [1-6600130-0](#) [2005243-2](#) [377-0020-11130](#) [TE34-12-16P-F0](#) [5-6450830-6](#) [5646956-4](#) [377-0080-11131A](#) [4-6450830-9](#)
[4-6600333-3](#) [10125416-4050LF](#) [6600320-3](#) [3-6450860-5](#) [1888123-2](#) [6450166-1](#) [6643978-1](#) [6766605-1](#) [701-15-02109](#) [N11444](#) [6651938-1](#)
[6450810-7](#) [46437-1112](#) [1-1589677-8](#) [5646956-5](#) [6450813-2](#) [6450129-4](#)