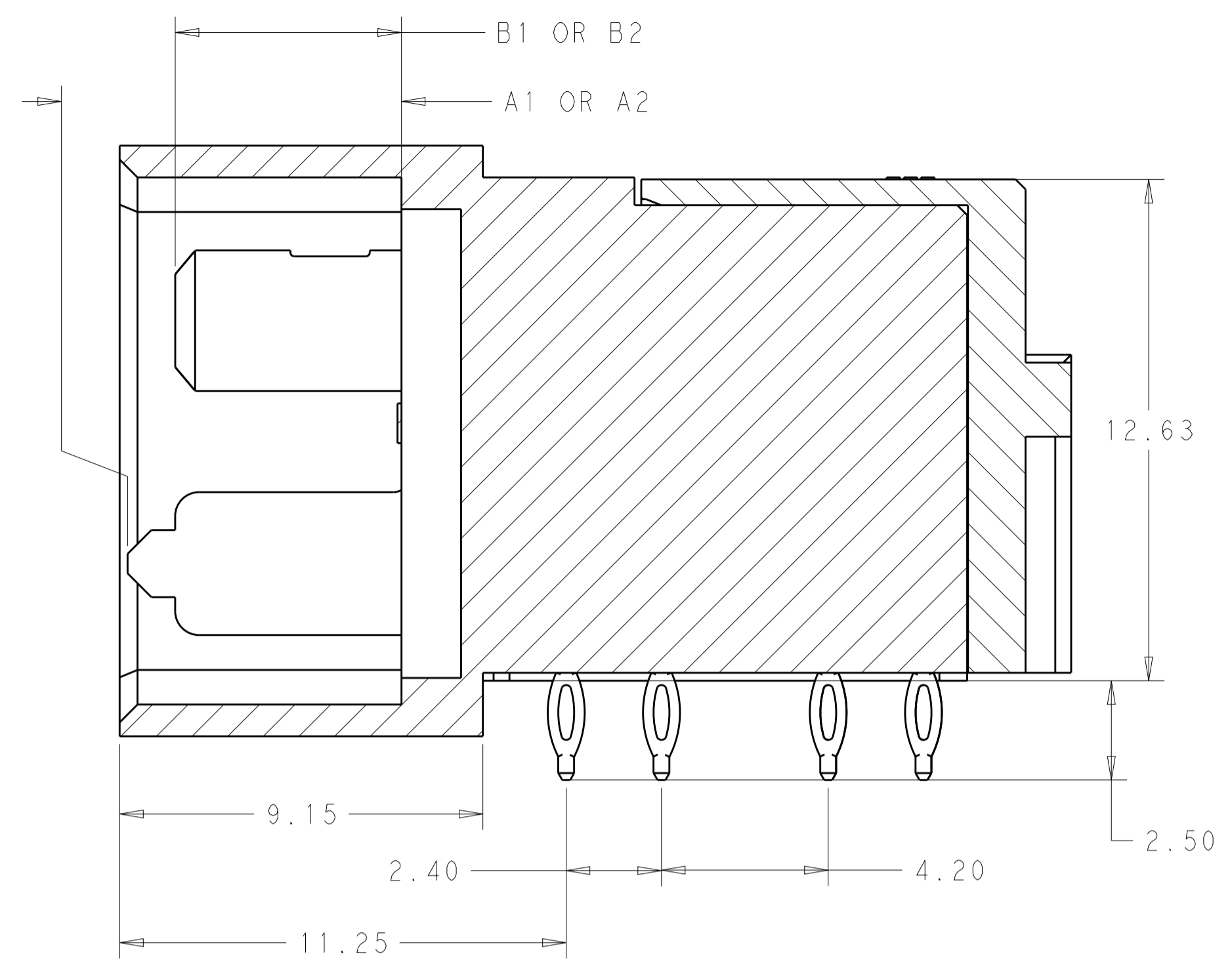
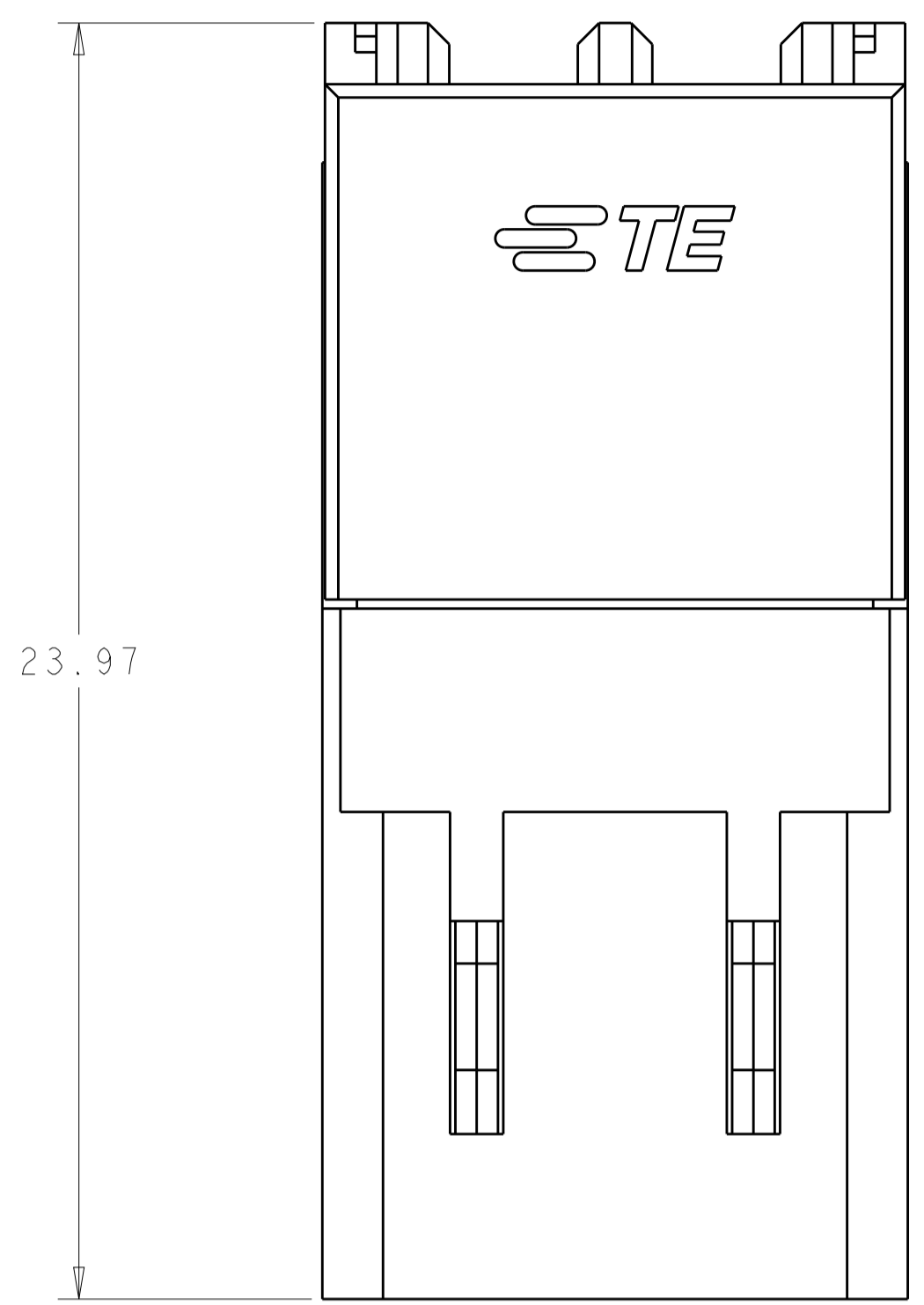
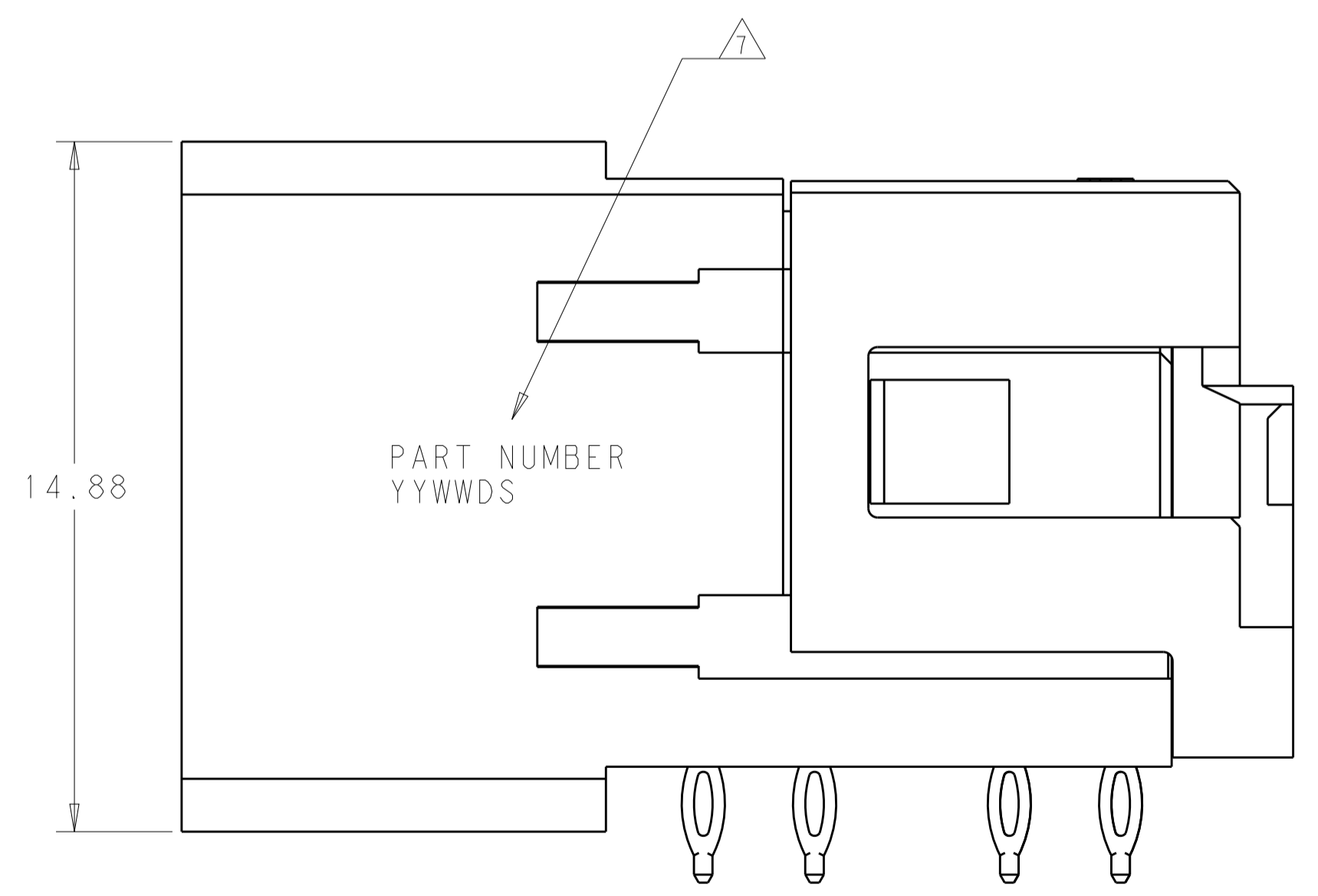
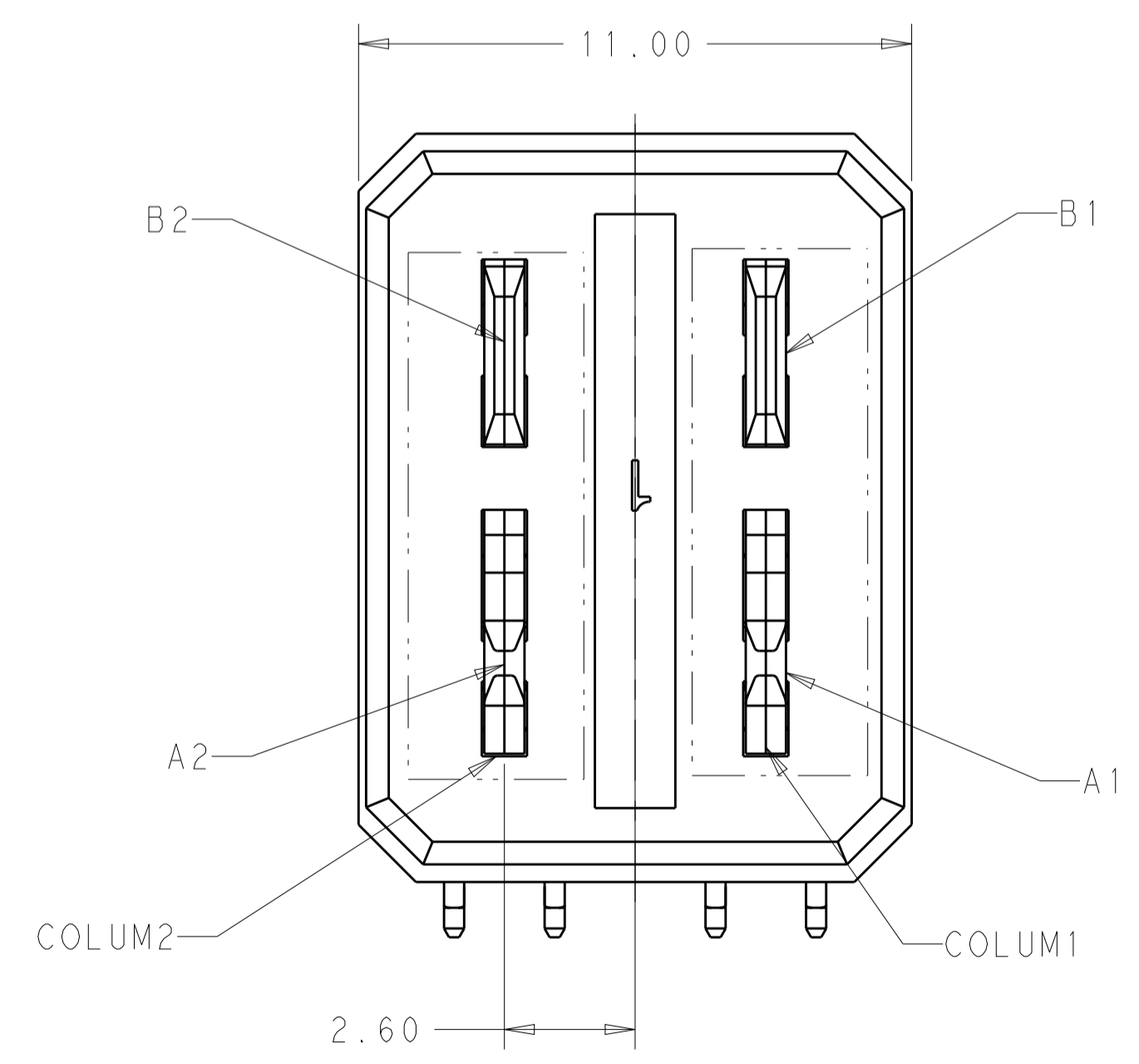


LOC		DIST		REVISIONS			
P	LTN	DESCRIPTION	DATE	DWN	APVD		
A3		REV PER ECR-12-013085	24JULY2012	LW	AC		
B		REV PER ECR-13-017562	14NOV2013	HS	FY		



SECTION Z-Z

- NOTES:
- MATERIALS:
 HOUSING: HIGH TEMP. THERMOPLASTIC GLASS/MINERAL FILLED UL94V-0
 TERMINAL: COPPER ALLOY
 - FINISH:
 TIN OPTION- GOLD AT CONTACT AREA AND NICKEL UNDERPLATED OVER ALL TIN AT TAIL AREA
 TIN-LEAD OPTION- GOLD AT CONTACT AREA AND NICKEL UNDERPLATED OVER ALL TIN-LEAD AT TAIL AREA
 - PCB HOLE SIZE:
 -DRILLED HOLE SIZE 0.838MM REF
 -COPPER UNDERPLATE 0.03 TO 0.07MM
 -TIN/TIN-LEAD SURFACE PLATED FINISHED HOLE SIZE 0.725±0.075MM OR ORGANIC SURFACE PROTECTANT (OSP) PLATED FINISHED HOLE SIZE 0.75±0.05MM
 - CONNECTOR WERE PACKED BY TRAY
 5. REFER TO TE'S PRODUCT SPECIFICATION: 108-2473 FOR TORQUE FORCE AND RETENTION FORCE
 - MATED WITH 2169806-*
 - PART NUMBER AND DATE CODE AT ASSEMBLY AREA AS APPROXIMATE SHOWN. ALSO CAN BE OPPOSITE SIDE
 - THERE ARE TWO TYPES OPTION ONE TYPE WITH DOVETAIL ANOTHER WITHOUT DOVETAIL
 - COMPONENT PLACEMENT ZONE



TRAY	TIN PLATING	NO DOVE TAIL	6.9	6.9	6.9	6.9	2169797-1
			5.7	5.7	5.7	5.7	2169797-2
			6.9	6.9	5.7	5.7	2169797-3
			5.7	5.7	6.9	6.9	2169797-4
			5.7	6.9	5.7	5.7	2169797-5
		WITH DOVE TAIL	6.9	6.9	6.9	6.9	2169797-6
			5.7	5.7	5.7	5.7	2169797-7
			6.9	6.9	5.7	5.7	2169797-8
			5.7	5.7	6.9	6.9	2169797-9
			6.0	6.0	6.0	6.0	5-2169797-1
			5.7	5.7	5.7	5.7	5-2169797-2
		NO DOVE TAIL	6.9	6.9	5.7	5.7	5-2169797-3
			5.7	5.7	6.9	6.9	5-2169797-4
	TIN-LEAD PLATING		5.7	6.9	5.7	5.7	5-2169797-5
			6.9	6.9	6.9	6.9	5-2169797-6
		WITH DOVE TAIL	5.7	5.7	5.7	5.7	5-2169797-7
			6.9	6.9	5.7	5.7	5-2169797-8
			5.7	5.7	6.9	6.9	5-2169797-9
PACKAGING	PLATING OPTION	TYP 8	B1	B2	A2	A1	PART NUMBER

THIS DRAWING IS A CONTROLLED DOCUMENT. DWN: LERRY_WANG 05MAY2011
 CHK: SUNY_ZHAO 05MAY2011
 APVD: SUNY_ZHAO 05MAY2011

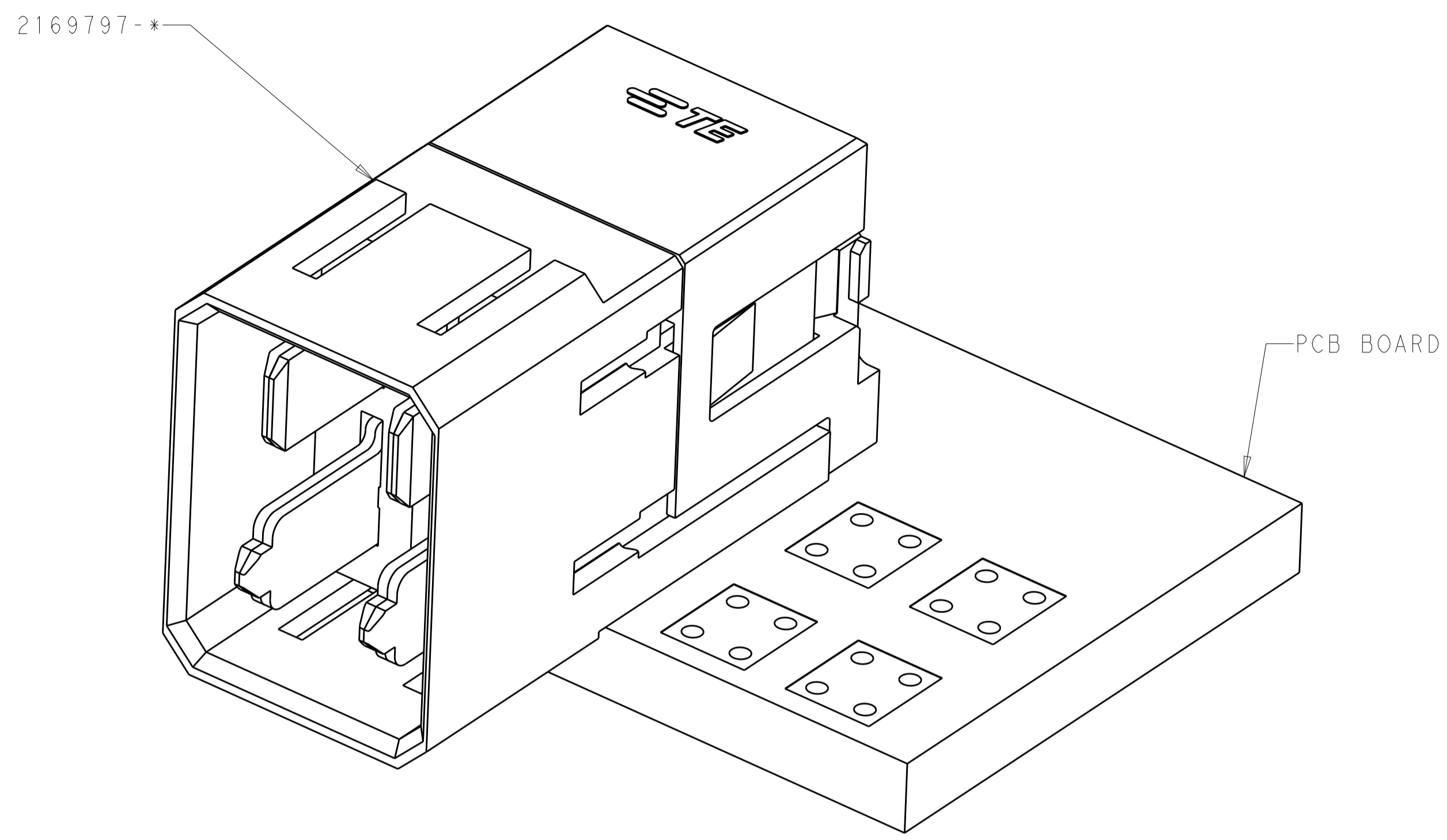
DIMENSIONS: mm
 TOLERANCES UNLESS OTHERWISE SPECIFIED:
 0 PLC ±.1
 1 PLC ±.15
 2 PLC ±.25
 3 PLC ±.3
 4 PLC ±.4
 ANGLES ±.5

MATERIAL: FINISH: 2

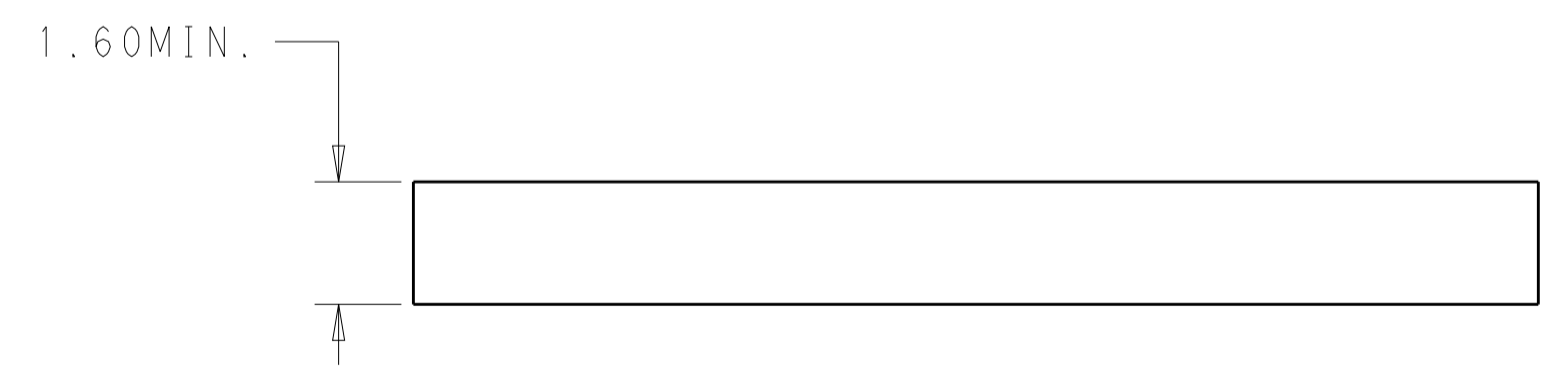
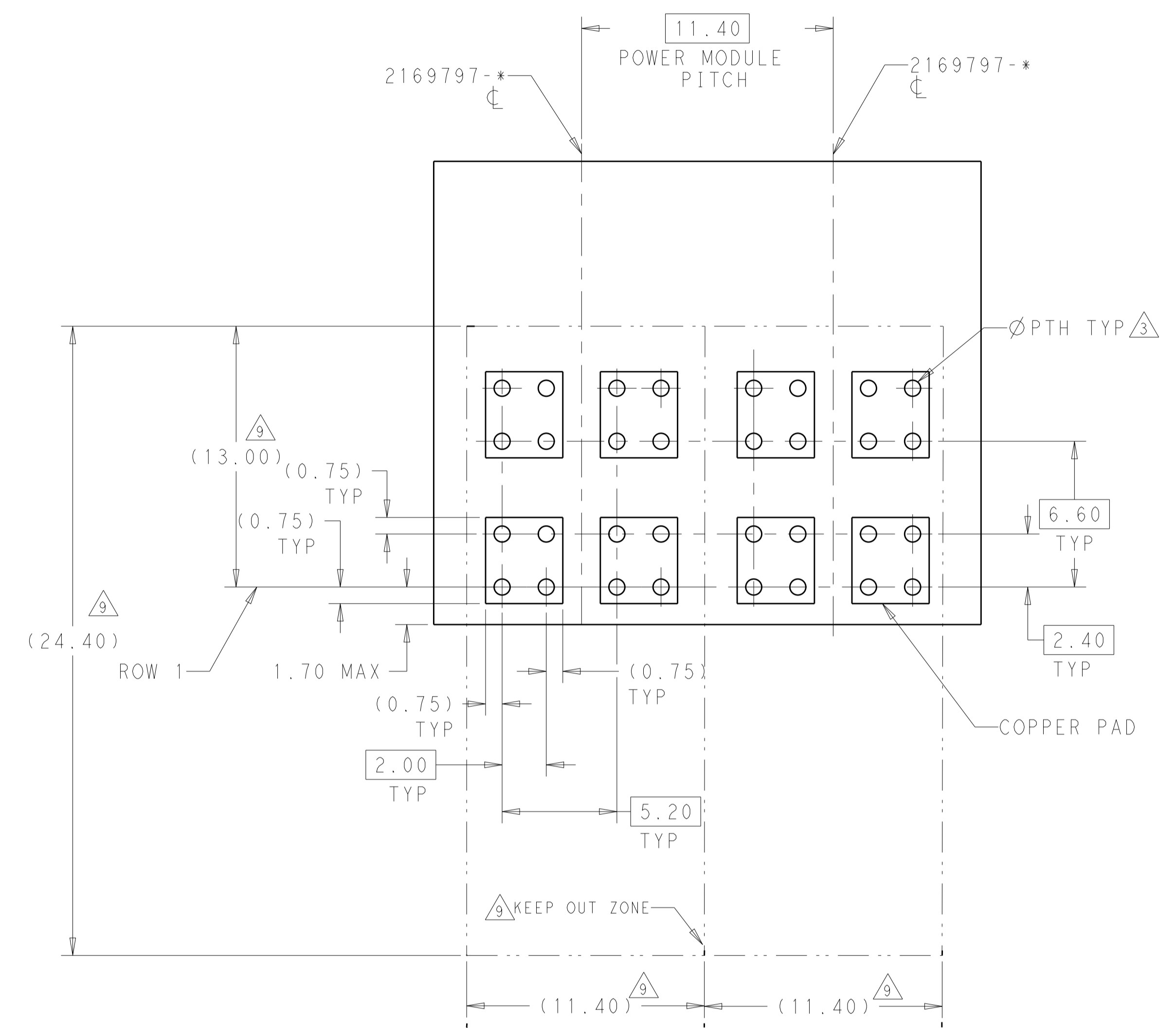
TE Connectivity
 ASSEMBLY
 IMPACT POWER 3PAIR R/A HEADER
 PRESS-FIT

SIZE: A1 CAGE CODE: 100779 DRAWING NO: 108-2473 APPLICATION SPEC: 114-32028 WEIGHT: CUSTOMER DRAWING
 SCALE: 8:1 SHEET 1 OF 2 REV B

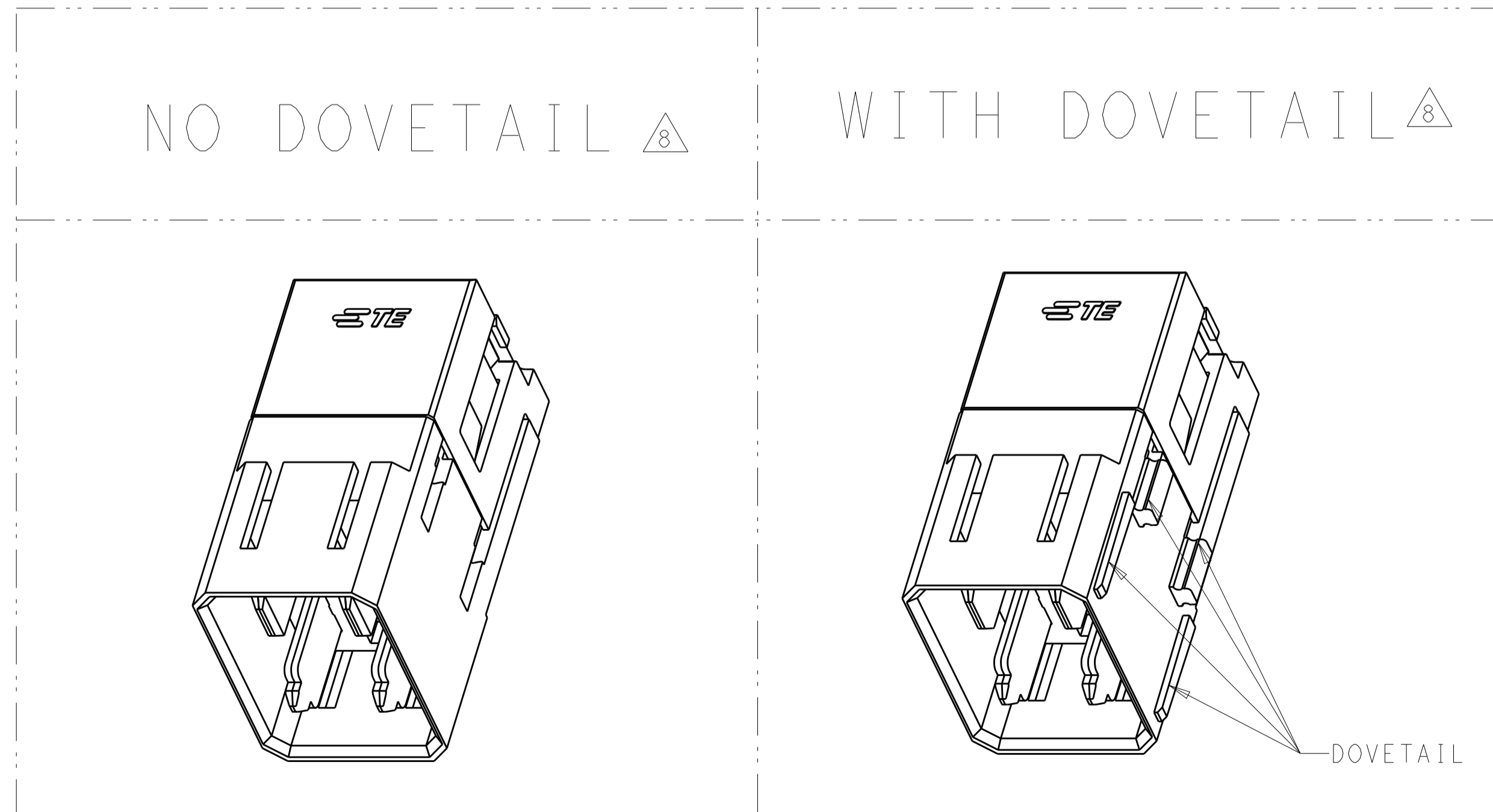
LOC	DIST	REV	DATE	BY	APPD
-	-	1	-	-	-
REVISIONS			DESCRIPTION		
-			SEE SHEET 1		



CONNECTOR MATED WITH PCB



PCB LAYOUT FOR 3PAIR R/A HEADER POWER MODULE
(COMPONENT SIDE SHOWN)



THIS DRAWING IS A CONTROLLED DOCUMENT.		OWN: LERRY_WANG 05MAY2011	TE Connectivity
DIMENSIONS: mm		CHK: SUNY_ZHAO 05MAY2011	
TOLERANCES UNLESS OTHERWISE SPECIFIED:		APVD: SUNY_ZHAO 05MAY2011	NAME: ASSEMBLY
0 PLC	±.2	PRODUCT SPEC	IMPACT POWER 3PAIR R/A HEADER
1 PLC	±.25	APPLICATION SPEC	PRESS-FIT
2 PLC	±.3	SIZE: 114-32028	RESTRICTED TO:
3 PLC	±.4	WEIGHT: -	A100779C=2169797
4 PLC	±.5	CUSTOMER DRAWING	SCALE: 8:1 SHEET 2 OF 2 REV B

X-ON Electronics

Largest Supplier of Electrical and Electronic Components

Click to view similar products for [High Speed/Modular Connectors](#) category:

Click to view products by [TE Connectivity](#) manufacturer:

Other Similar products are found below :

[650827-1](#) [74040-1346](#) [1410191-1](#) [1410368-3](#) [1410964-2](#) [1410326-3](#) [1410367-3](#) [1410971-4](#) [1467833-1](#) [2000877-1](#) [2000878-1](#) [2041314-1](#)
[2065387-1](#) [2187307-1](#) [163P](#) [1934290-1](#) [2000875-1](#) [2065917-1](#) [2102736-2](#) [FSR-40](#) [2169868-2](#) [22354-8](#) [437-5040-000](#) [5-1393565-0](#) [039-](#)
[0246-000](#) [0761601016](#) [0784461022](#) [10123159-12ELF](#) [030-2415-003/100 PK](#) [030-7380-004](#) [030-2494-001](#) [532939-1](#) [5532901-3](#) [3-1469268-](#)
[7](#) [74748-102LF](#) [10041743-101LF](#) [10066670-100002LF](#) [1-533915-1](#) [249-4515-000](#) [7-1469373-3](#) [DL2-2J/S](#) [2000713-8](#) [2000713-7](#)
[10124313-101LF](#) [3011-21](#) [757105208](#) [EBTF-4-10-2.0-S-RA-1](#) [430305-001](#) [4395800100](#) [8140115](#)