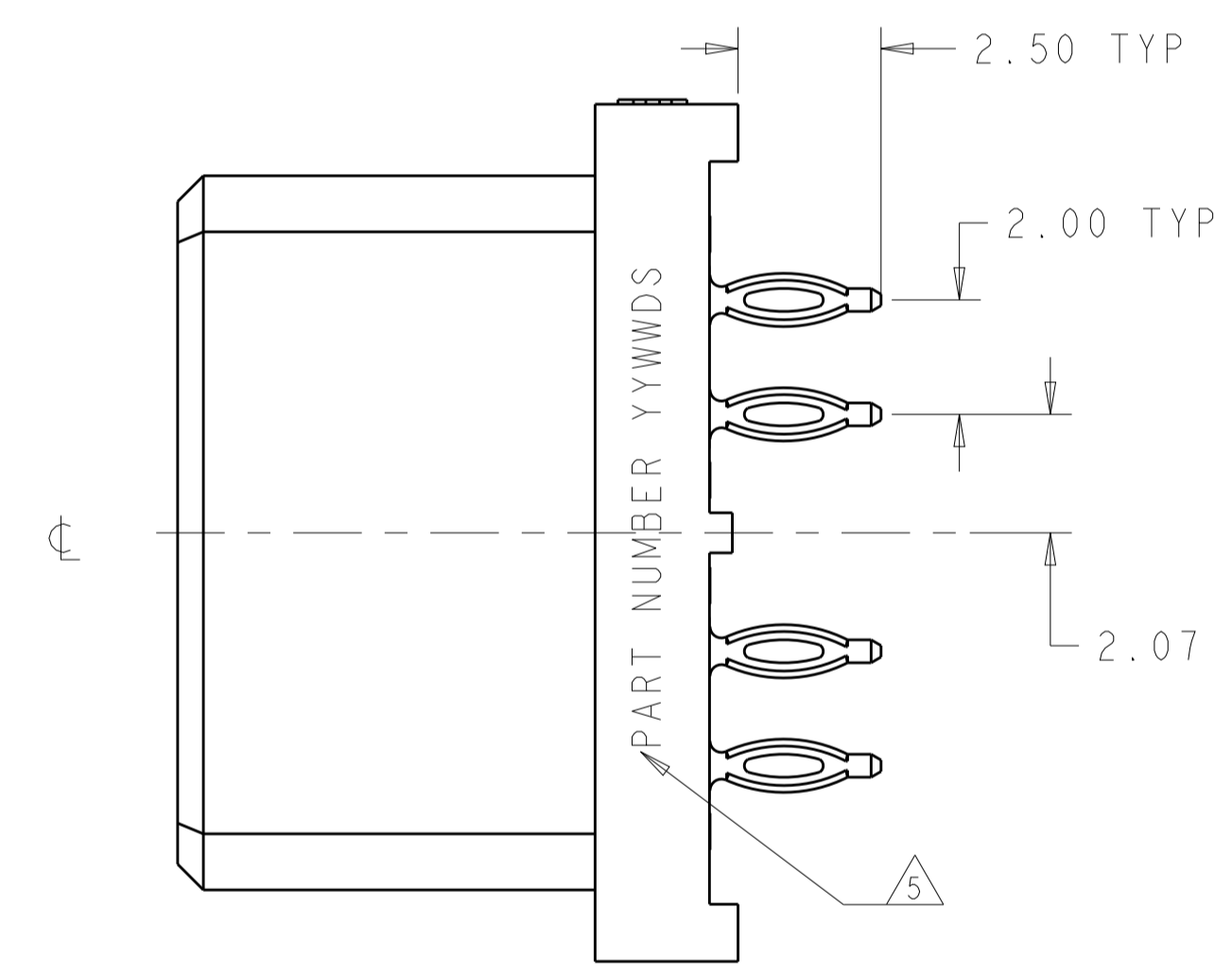
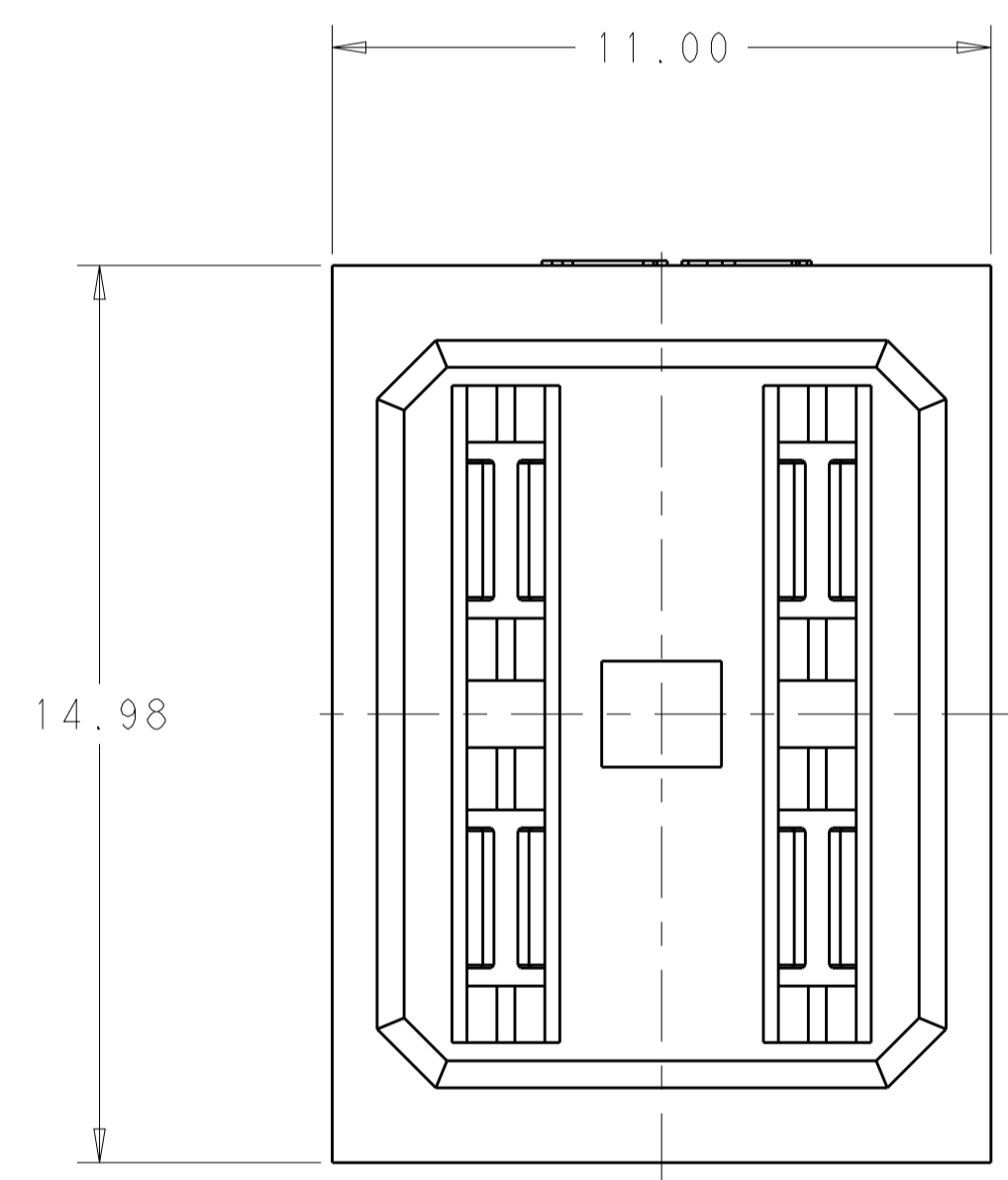
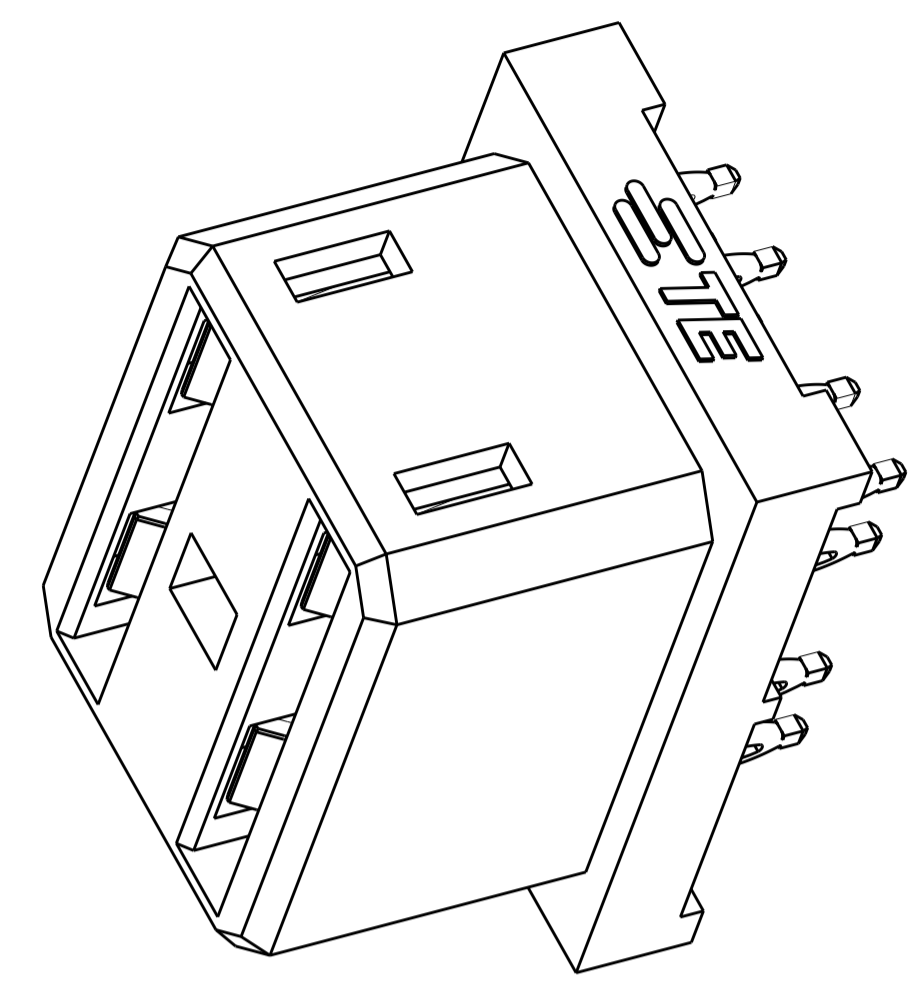
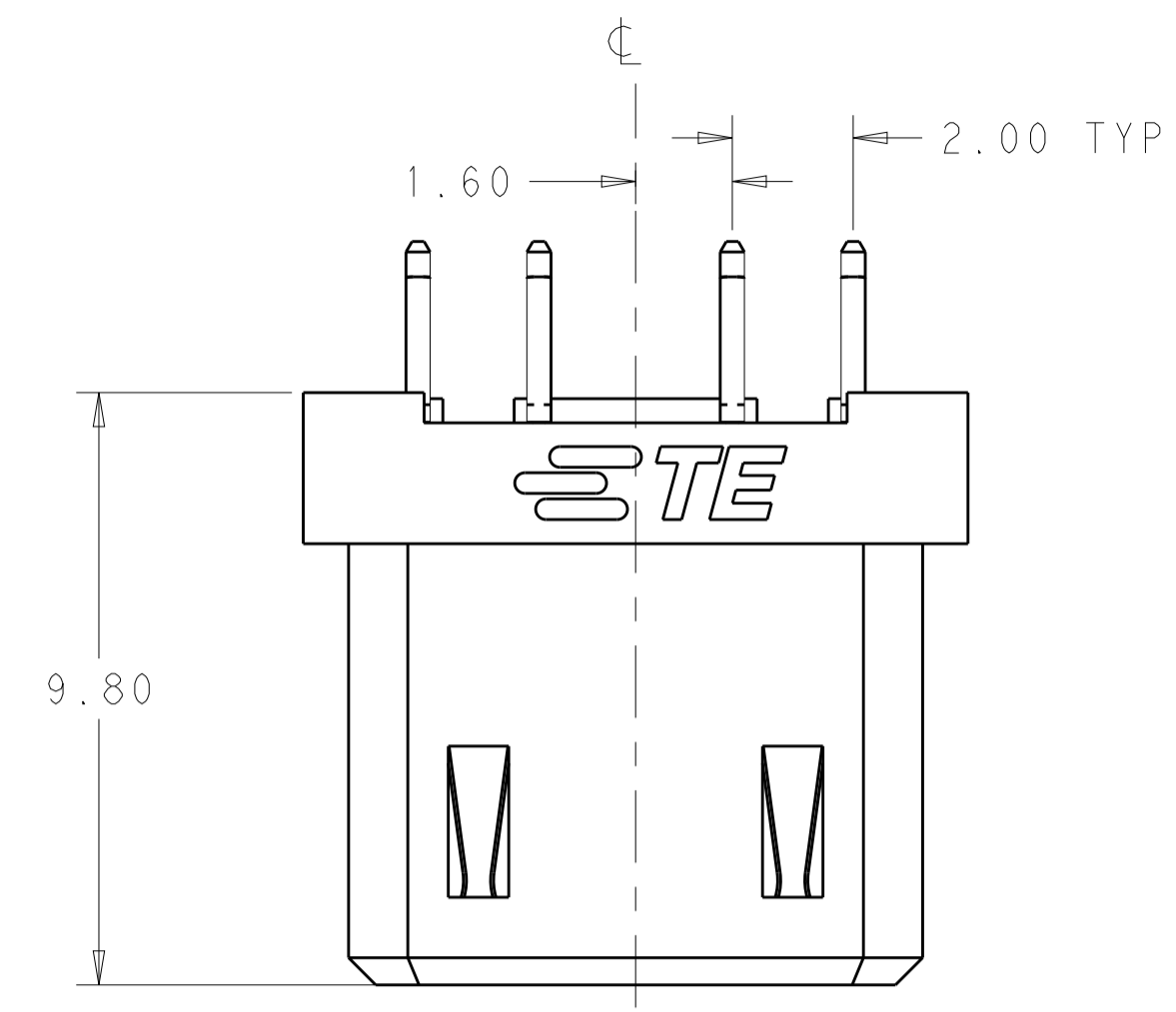


LOC		DIST		REVISIONS			
P	LTN	DESCRIPTION	DATE	DWN	APVD		
A		INITIAL RELEASE	07JUN2012	LW	AC		
A1		REV PER ECR-12-013085	20JULY2012	LW	AC		



NOTES:

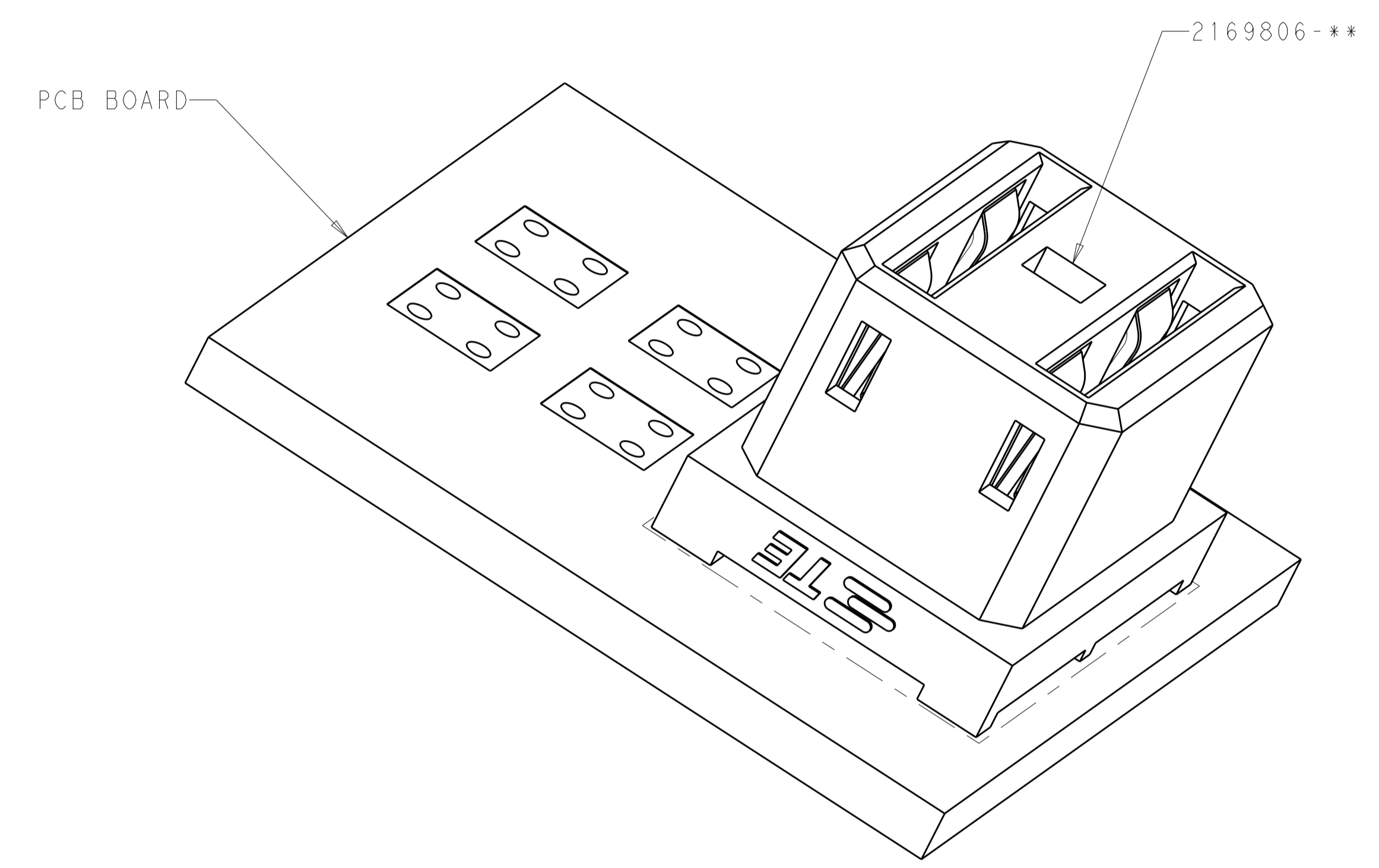
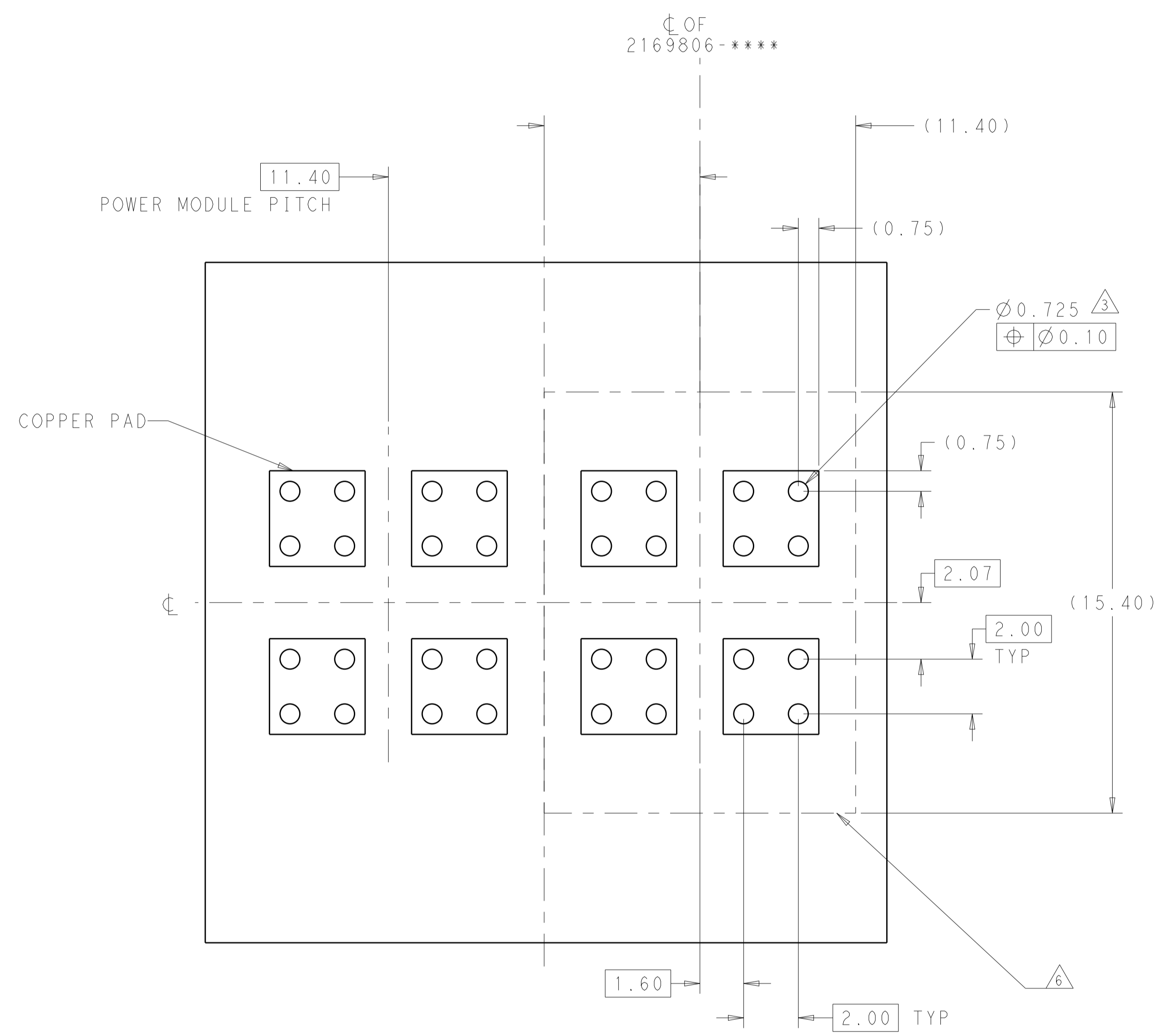
- MATERIALS:
 HOUSING: HIGH TEMP, THERMOPLASTIC GLASS/MINERAL FILLED UL94V-0.
 CONTACT: COPPER ALLOY
- FINISH OPTION
 TIN OPTION: 0.76um MINIMUM GOLD AT CONTACT AREA
 2.54um MINIMUM NICKEL UNDERPLATE OVER ALL
 TIN AT TAIL AREA.
 TIN-LEAD OPTION: 0.76um MINIMUM GOLD AT CONTACT AREA
 2.54um MINIMUM NICKEL UNDERPLATE OVER ALL
 TIN-LEAD AT TAIL AREA..
- PCB NOTE FOR DIAMETER 0.725mm PLATED HOLE.
 -DRILLED HOLE SIZE IS 0.838mm
 -PLATED WITH 0.007mm MIN. TIN OVER.
 0.03 TO 0.08mm COPPER UNDERPLATE TO ACHIEVE
 0.725±0.075mm HOLE.
- MATES WITH 2169797-***.
- PART NUMBER AND DATE CODE AT ASSEMBLY AREA AS APPROXIMATE SHOWN.
- KEEP OUT ZONE FROM OTHER COMPONENTS.

OBSOLETE	TRAY	TIN-LEAD PLATING	5-2169806-1
		TIN PLATING	2169806-1
PACKAGING	PLATING OPTION	PART NUMBER	

THIS DRAWING IS A CONTROLLED DOCUMENT.		DWN	12MAY2011	STE TE Connectivity
		CHK	12MAY2011	
		APVD	12MAY2011	
		JIC		
DIMENSIONS:	TOLERANCES UNLESS OTHERWISE SPECIFIED:	PRODUCT SPEC		IMPACT POWER, 3 PAIR VERTICAL RECEPTACLE PRESS-FIT
mm	0 PLC ±. 1 PLC ±. 2 PLC ±.25 3 PLC ±. 4 PLC ±. ANGLES ±°	108-2473		
		APPLICATION SPEC		SIZE
		114-32028		CAGE CODE
		WEIGHT		DRAWING NO
		CUSTOMER DRAWING		A100779C=2169806
		SCALE		RESTRICTED TO
		1:1		-
		SHEET		REV
		1 OF 2		A1

LOC		DIST		REVISIONS			
P	LTN	DESCRIPTION	DATE	DWN	APVD		
-	-	SEE SHEET 1	-	-	-		

RECOMMENDED PCB LAYOUT
 (COMPONENT SIDE SHOWN)
 MINIMUM BOARD THICKNESS: 1.60mm



CONNECTOR MATES WITH PCB

THIS DRAWING IS A CONTROLLED DOCUMENT.		DWN: AY 12MAY2011	TE Connectivity NAME: IMPACT POWER, 3 PAIR VERTICAL RECEPTACLE PRESS-FIT
DIMENSIONS: mm		CHK: SZ 12MAY2011	
TOLERANCES UNLESS OTHERWISE SPECIFIED:		APVD: JHC 12MAY2011	
0 PLC ± 1 PLC ± 2 PLC ±.25 3 PLC ± 4 PLC ± ANGLES ±° FINISH		PRODUCT SPEC: 108-2473 APPLICATION SPEC: 114-32028 WEIGHT:	
MATERIAL:		CUSTOMER DRAWING	SIZE: A1 CAGE CODE: 100779 DRAWING NO: 2169806 SCALE: 5:1 SHEET: 2 OF 2 REV: A1

X-ON Electronics

Largest Supplier of Electrical and Electronic Components

Click to view similar products for [High Speed/Modular Connectors](#) category:

Click to view products by [TE Connectivity](#) manufacturer:

Other Similar products are found below :

[650827-1](#) [74040-1346](#) [1410191-1](#) [1410368-3](#) [1410964-2](#) [1410326-3](#) [1410367-3](#) [1410971-4](#) [1467833-1](#) [2000877-1](#) [2000878-1](#) [2041314-1](#)
[2065387-1](#) [2187307-1](#) [163P](#) [1934290-1](#) [2000875-1](#) [2065917-1](#) [2102736-2](#) [FSR-40](#) [2169868-2](#) [22354-8](#) [437-5040-000](#) [5-1393565-0](#) [039-](#)
[0246-000](#) [0740618502](#) [0761601016](#) [0784461022](#) [10123159-12ELF](#) [030-2415-003/100 PK](#) [030-7380-004](#) [030-2494-001](#) [532939-1](#) [5532901-](#)
[3](#) [3-1469268-7](#) [74748-102LF](#) [10041743-101LF](#) [10066670-100002LF](#) [1-533915-1](#) [249-4515-000](#) [7-1469373-3](#) [DL2-2J/S](#) [2000713-8](#)
[2000713-7](#) [10124313-101LF](#) [3011-21](#) [757105208](#) [430305-001](#) [4395800100](#) [8140115](#)