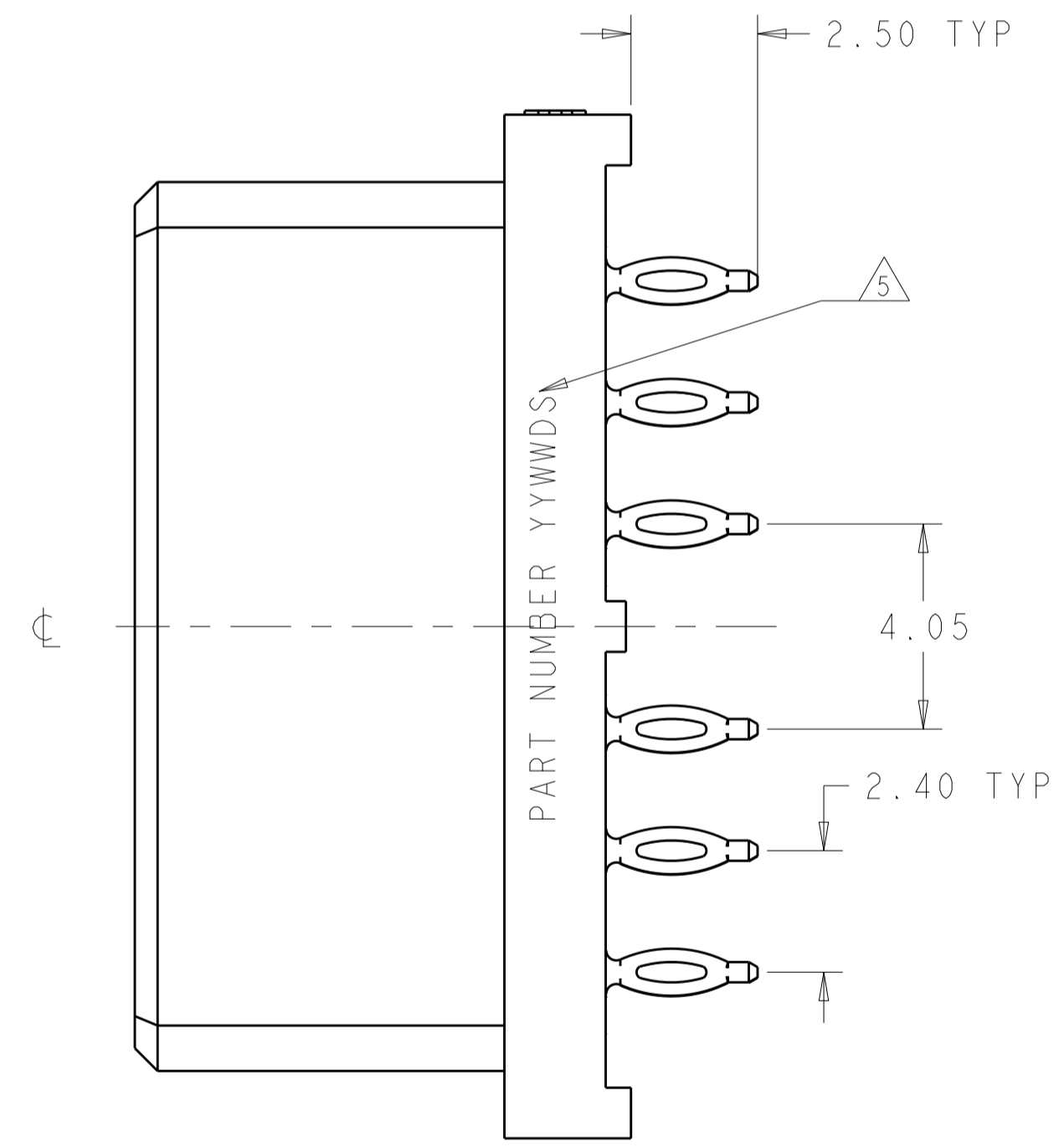
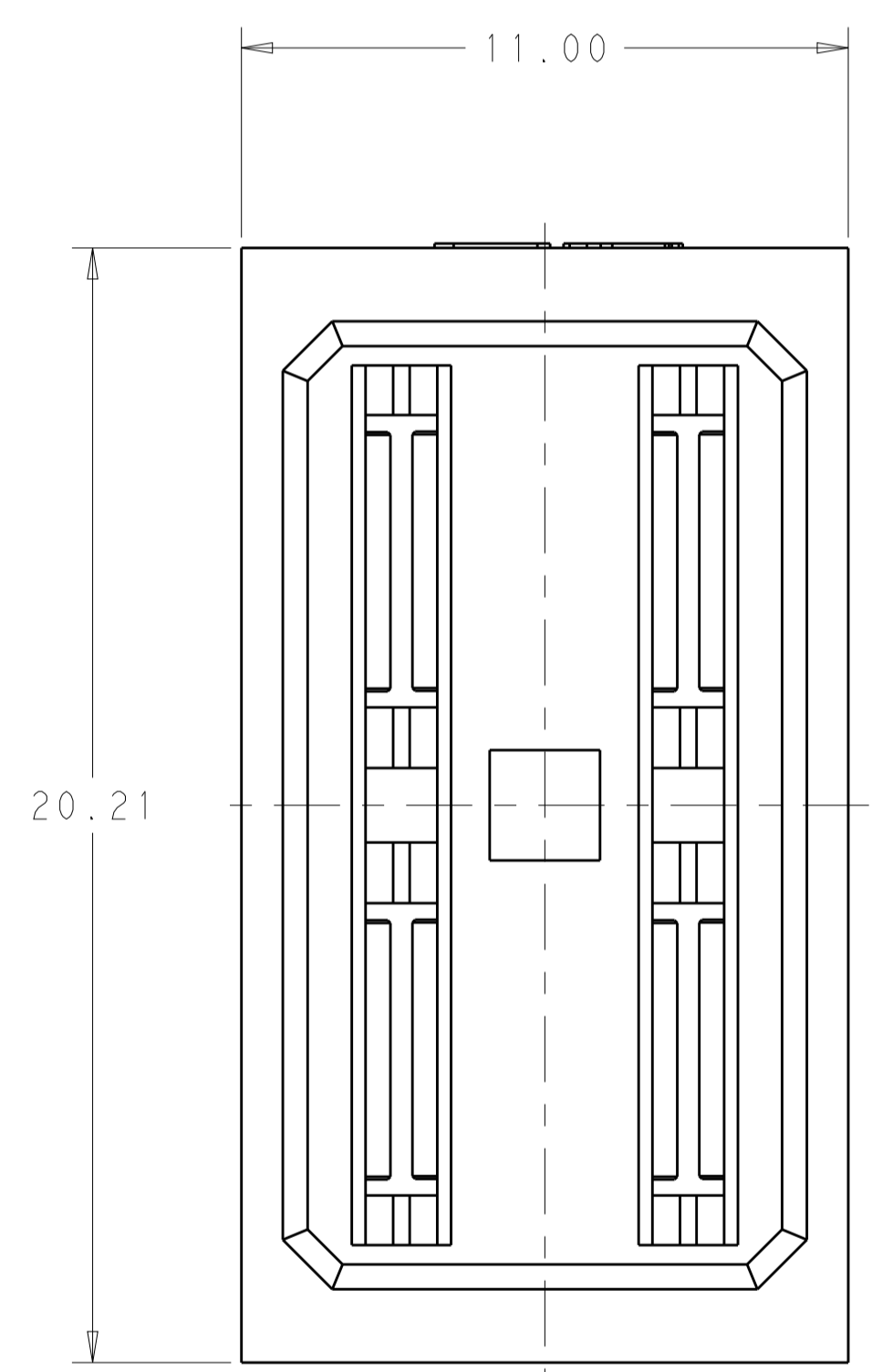
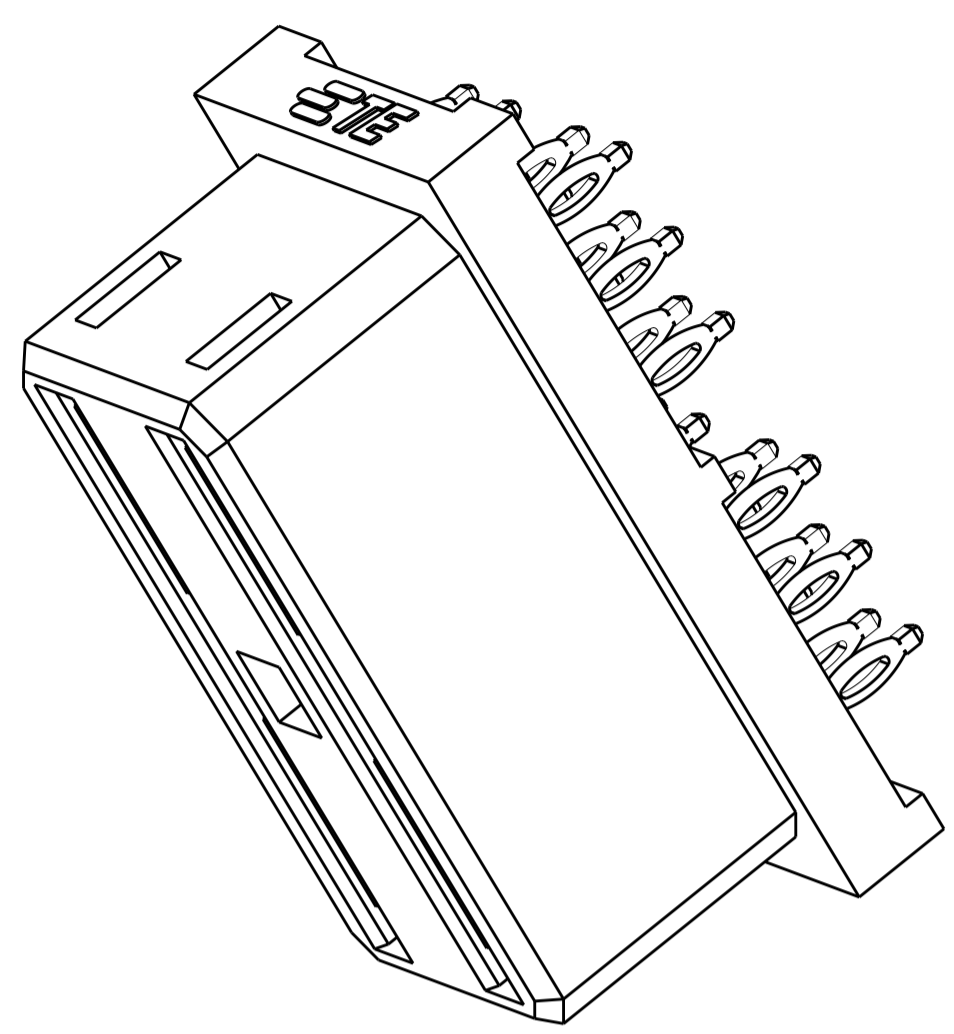
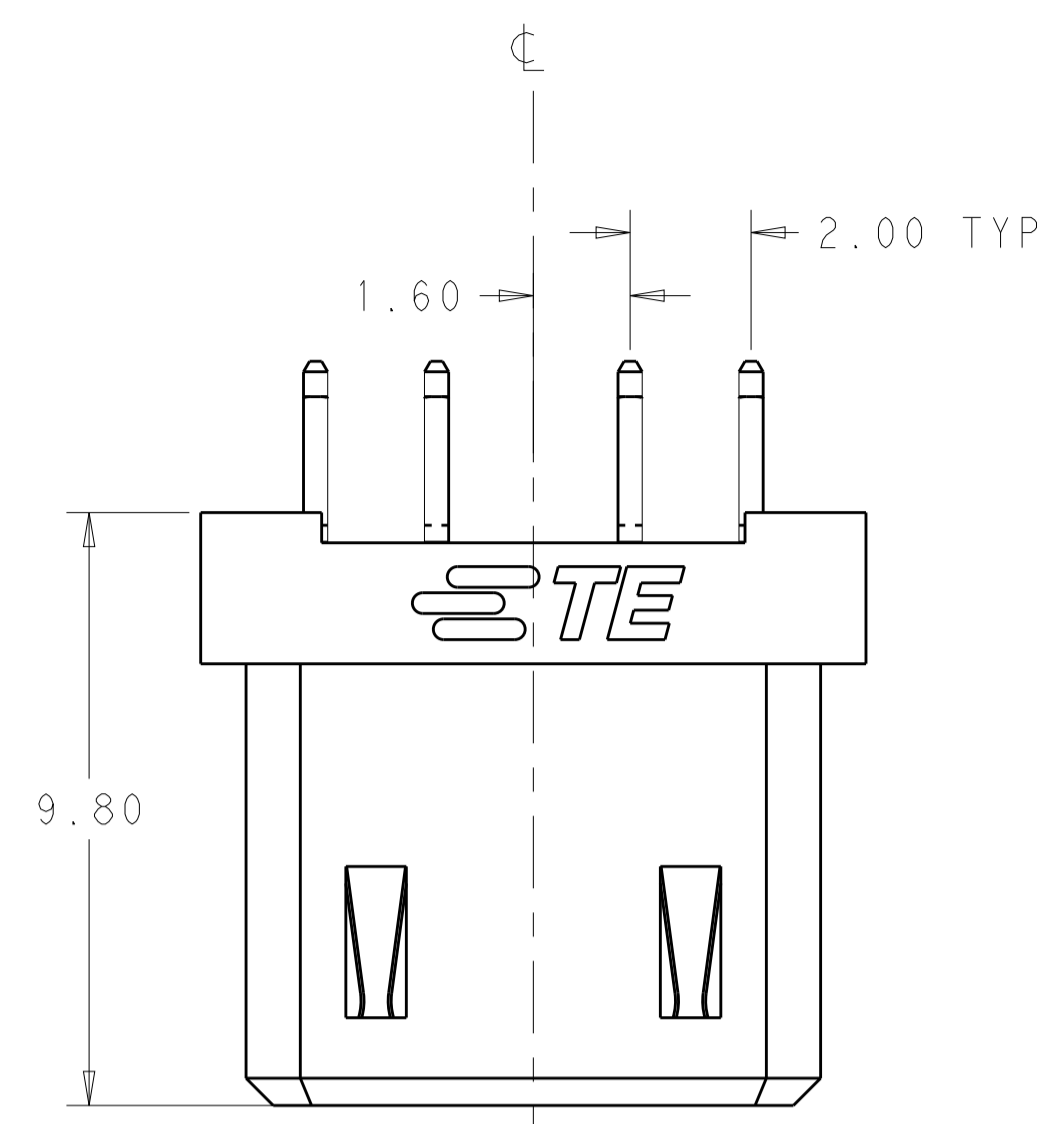


LOC		DIST		REVISIONS			
				REV	DATE	BY	CHKD
		A		INITIAL RELEASE	07JUN2012	LW	AC
		A1		REV PER ECR-12-013085	20JULY2012	LW	AC



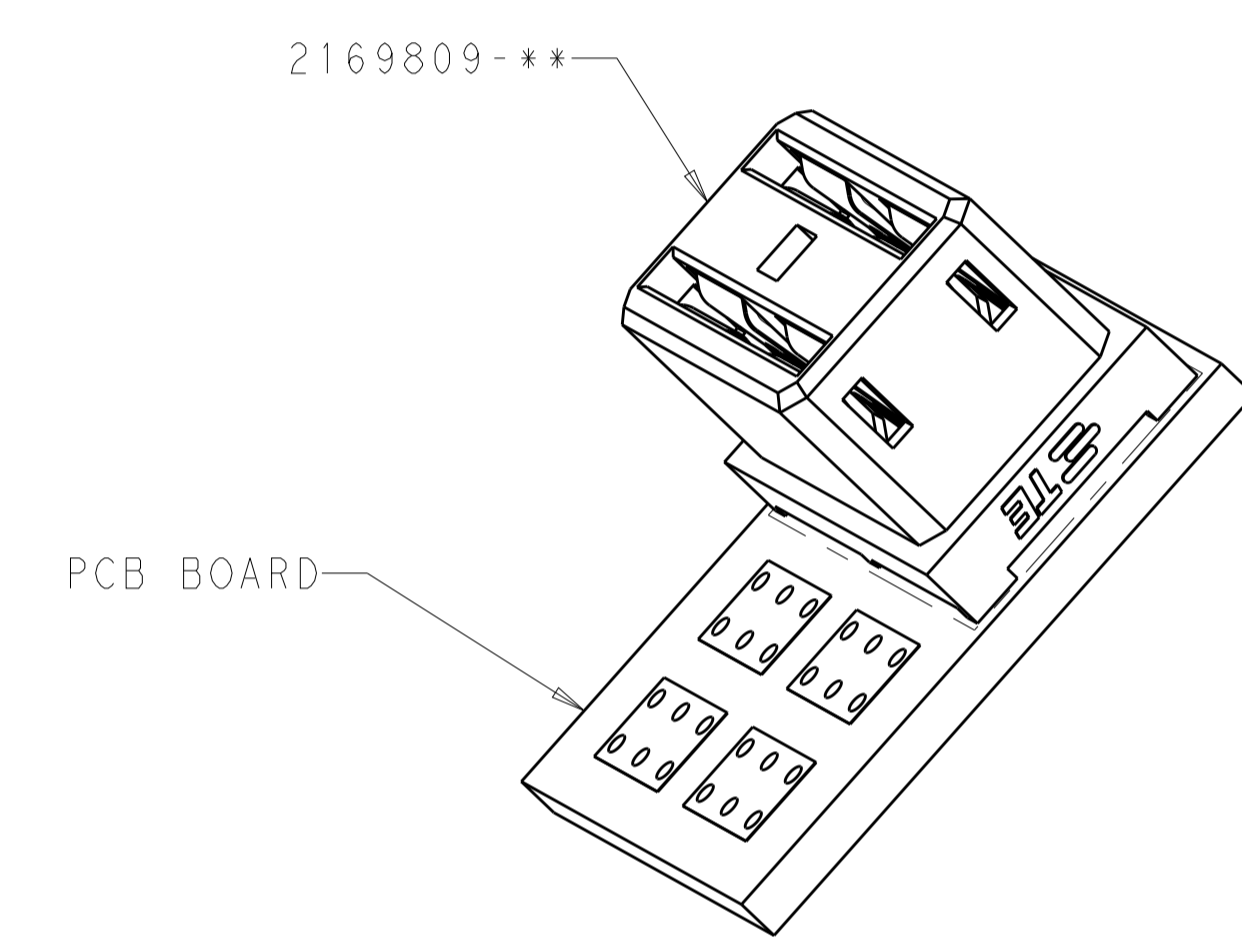
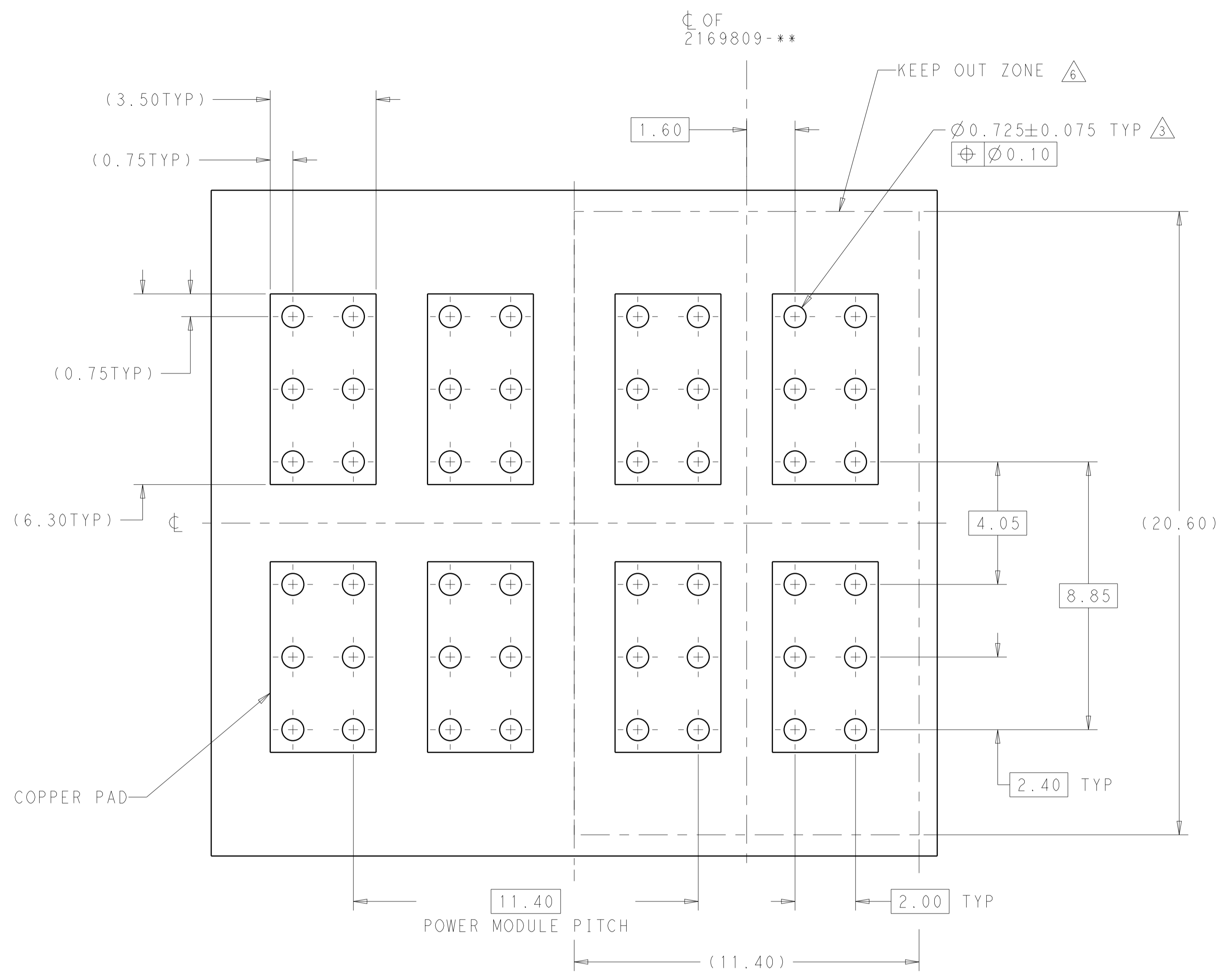
NOTES:

1. MATERIALS:
 HOUSING: HIGH TEMP, THERMOPLASTIC GLASS/MINERAL FILLED UL94V-0.
 CONTACT: COPPER ALLOY
2. FINISH OPTION
 TIN OPTION: 0.76um MINIMUM GOLD AT CONTACT AREA
 2.54um MINIMUM NICKEL UNDERPLATE OVER ALL
 TIN AT TAIL AREA.
 TIN-LEAD OPTION: 0.76um MINIMUM GOLD AT CONTACT AREA
 2.54um MINIMUM NICKEL UNDERPLATE OVER ALL
 TIN-LEAD AT TAIL AREA.
3. PCB NOTE FOR DIAMETER 0.725mm PLATED HOLE.
 -DRILLED HOLE SIZE IS 0.838mm
 -PLATED WITH 0.007mm MIN. TIN OVER.
 0.03 TO 0.08mm COPPER UNDERPLATE TO ACHIEVE
 0.725±0.075mm HOLE.
4. MATES WITH 2169802-***.
5. PART NUMBER AND DATE CODE AT ASSEMBLY AREA AS APPROXIMATE SHOWN.
6. KEEP OUT ZONE FROM OTHER COMPONENTS.

OBSOLETE	TRAY	TIN-LEAD PLATING	5 2169809 1
		TIN PLATING	2169809-1
PACKAGING	PLATING OPTION	PART NUMBER	

THIS DRAWING IS A CONTROLLED DOCUMENT.		DWN: 07MAR2011	TE Connectivity NAME: IMPACT POWER, 4 PAIR VERTICAL RECEPTACLE PRESS-FIT
DIMENSIONS:		CHK: 07MAR2011	
TOLERANCES UNLESS OTHERWISE SPECIFIED:		APVD: 07MAR2011	
0 PLC ±.05 1 PLC ±.05 2 PLC ±0.25 3 PLC ±.05 4 PLC ±.05 ANGLES ±.5° FINISH:		PRODUCT SPEC: 108-2473 APPLICATION SPEC: 114-32028 WEIGHT:	
MATERIAL:		SCALE: 1:1	RESTRICTED TO: A100779C=2169809
CUSTOMER DRAWING		SHEET 1 OF 2	REV: A1

LOC		DIST		REVISIONS			
P	LTN	DESCRIPTION	DATE	DMN	APVD		
-	-	SEE SHEET 1	-	-	-		



CONNECTOR MATES WITH PCB

RECOMMENDED PCB LAYOUT
 (COMPONENT SIDE SHOWN)
 MINIMUM BOARD THICKNESS: 1.60mm

THIS DRAWING IS A CONTROLLED DOCUMENT.		DMN: 07MAR2011	TE Connectivity
DIMENSIONS: mm		CHK: 07MAR2011	
TOLERANCES UNLESS OTHERWISE SPECIFIED:		APVD: JHC	NAME: IMPACT POWER, 4 PAIR VERTICAL RECEPTACLE PRESS-FIT
0 PLC ±.00	1 PLC ±.01	PRODUCT SPEC: 108-2473	SIZE: A1
2 PLC ±0.25	3 PLC ±.01	APPLICATION SPEC: 114-32028	CAGE CODE: 2169809
4 PLC ±.01	ANGLES ±.0°	WEIGHT: -	RESTRICTED TO: -
MATERIAL: -	FINISH: -	CUSTOMER DRAWING	SCALE: 1:1 SHEET 2 OF 2 REV: A1

X-ON Electronics

Largest Supplier of Electrical and Electronic Components

Click to view similar products for [Hard Metric Connectors](#) category:

Click to view products by [TE Connectivity](#) manufacturer:

Other Similar products are found below :

[6345127-1](#) [646916-9](#) [6469658-1](#) [973108](#) [1-2000713-0](#) [1-2000713-2](#) [1-2000713-3](#) [1645343-1](#) [1645456-1](#) [1645594-1](#) [1645595-1](#) [1645601-1](#)
[1934822-1](#) [278071110010833](#) [1645179-1](#) [1645245-1](#) [1645457-1](#) [1645525-1](#) [1645570-1](#) [1645596-1](#) [17041102202](#) [1857470-1](#) [1934275-1](#)
[1934289-1](#) [1934759-1](#) [2000673-1](#) [2170292-2](#) [2-536642-6](#) [3-106015-1](#) [352188-1](#) [352629-1](#) [5120823-1](#) [5120899-1](#) [3-100145-0](#) [3-100147-0](#)
[3-100669-1](#) [3-106081-0](#) [HM2DK2368PLF](#) [5646530-1](#) [3-352049-0](#) [3-352069-0](#) [3-352115-0](#) [3-352638-0](#) [352189-1](#) [3-646357-0](#) [3-646487-0](#)
[3-646513-0](#) [106726-1](#) [114352](#) [114619](#)