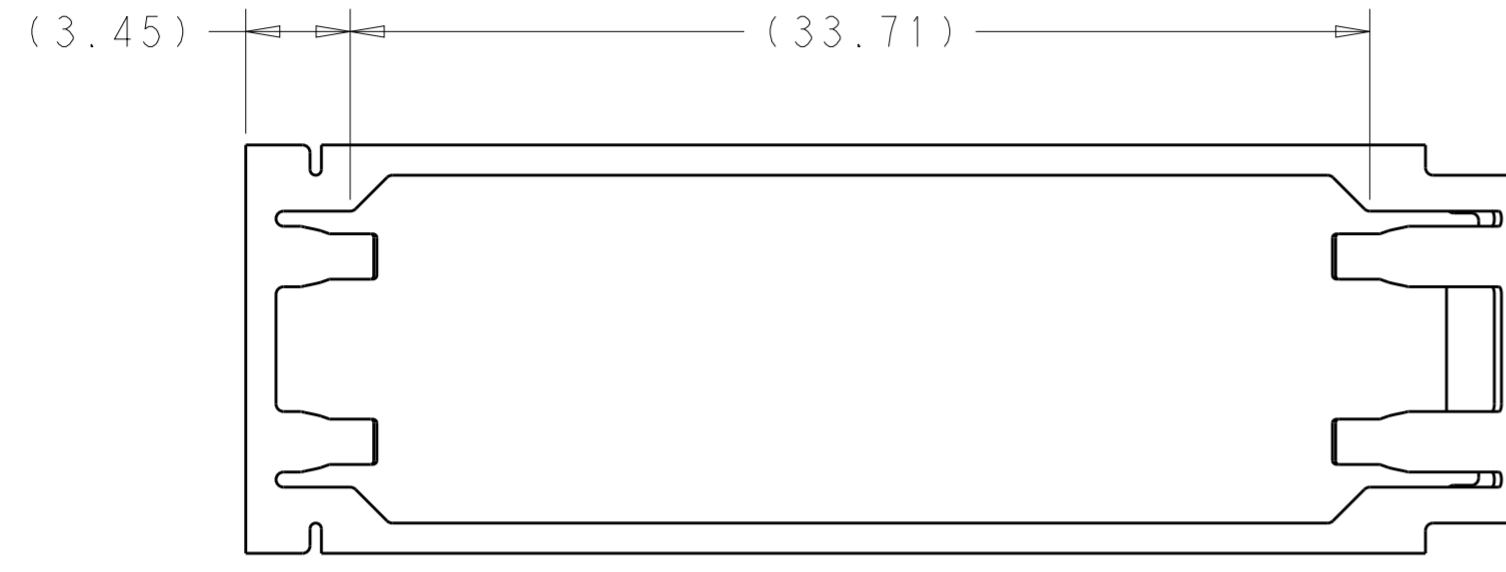
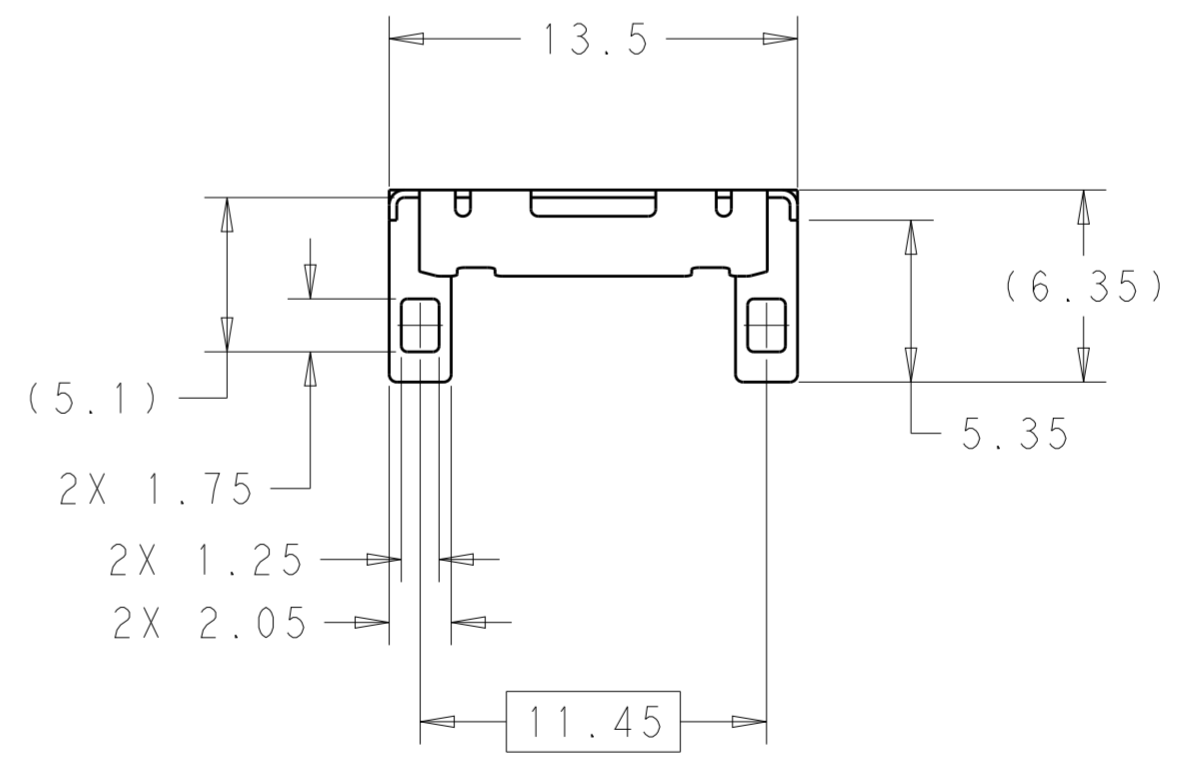
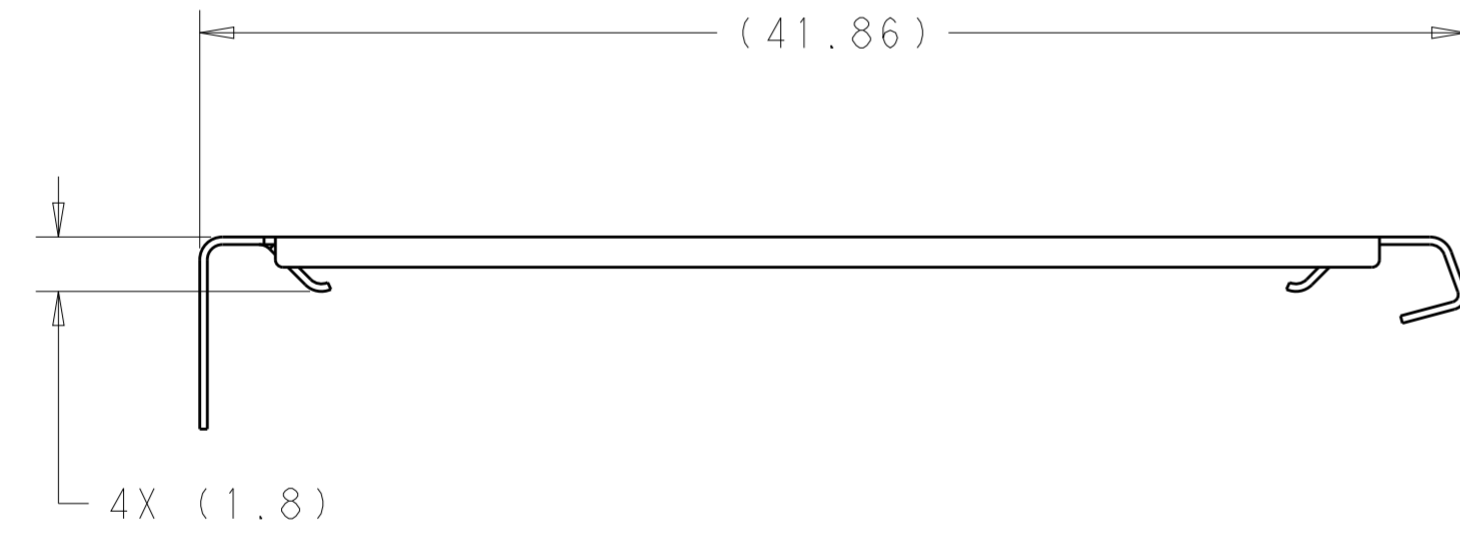
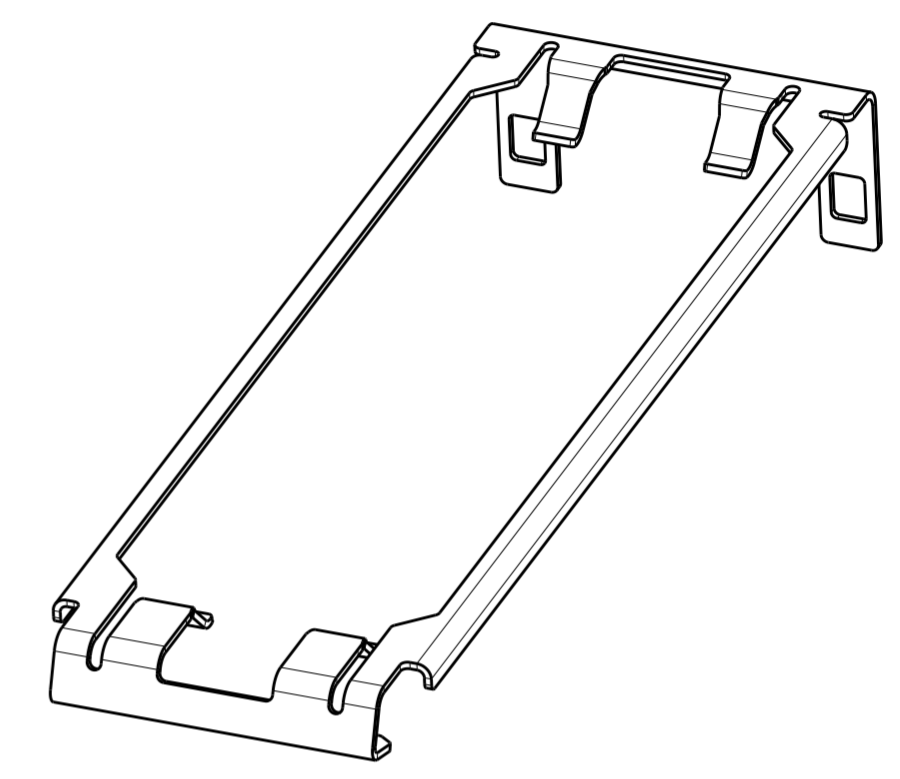


THIS DRAWING IS UNPUBLISHED. RELEASED FOR PUBLICATION
 © COPYRIGHT copyright.d8te- ALL RIGHTS RESERVED.

LOC	DIST	REVISIONS					
GP	00	P	LTR	DESCRIPTION	DATE	DWN	APVD
		A		RELEASED PER ECO-12-013192	24AUG2012	BMM	MRS
		A1		RELEASED PER ECO-15-012866	17NOV2015	KQ	SH



⚠ MATERIAL: 0.25±0.1 THICK PASSIVATED STAINLESS STEEL



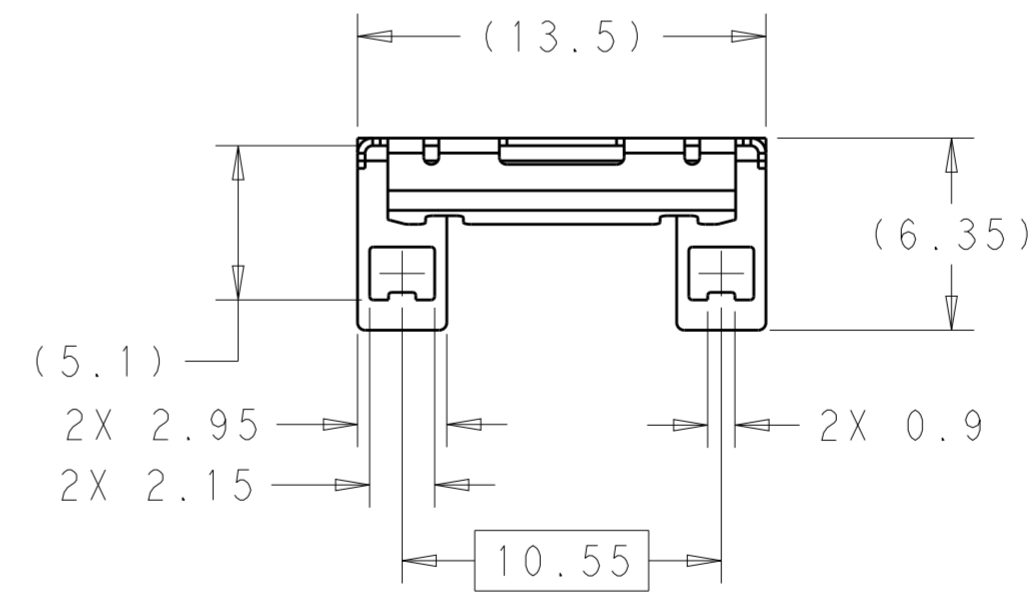
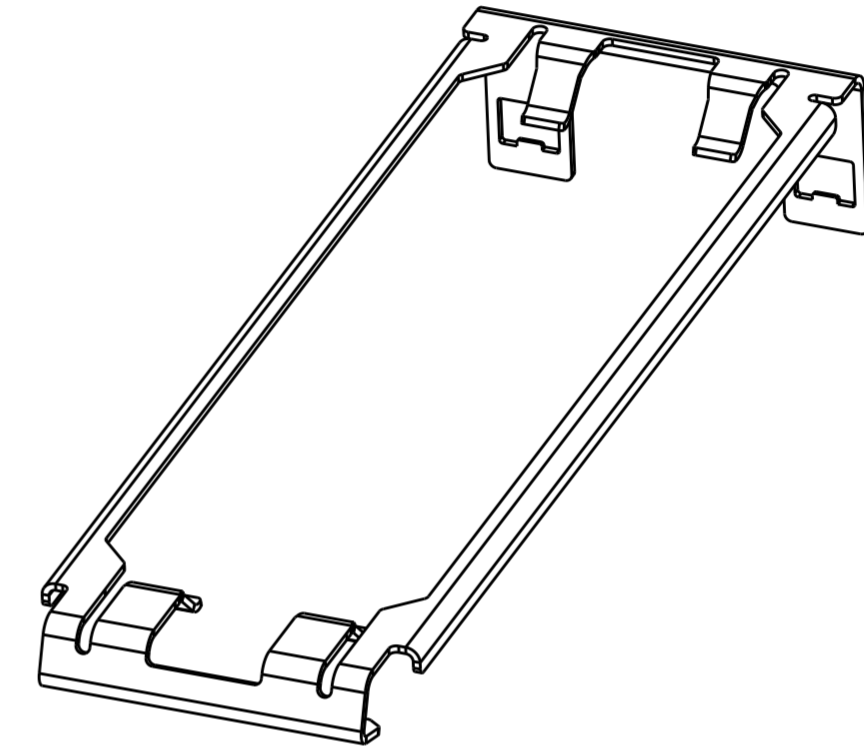
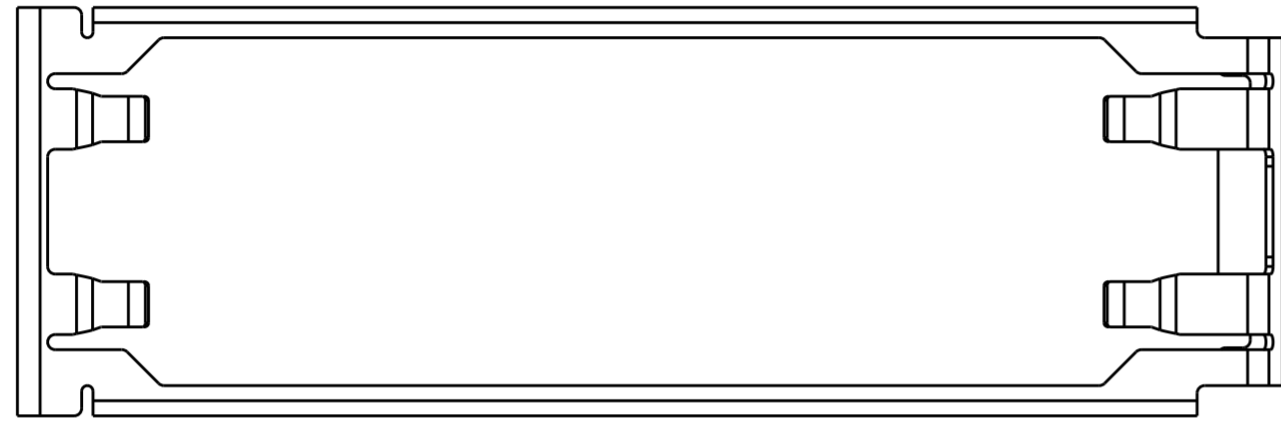
2169851-1
PART NUMBER

THIS DRAWING IS A CONTROLLED DOCUMENT.		DWN B. MATTHEWS 17AUG2010	TE Connectivity	
DIMENSIONS: mm		CHK M. SCHMITT 17AUG2010		
TOLERANCES UNLESS OTHERWISE SPECIFIED:		APVD M. SCHMITT 17AUG2010	NAME HEATSINK CLIP GANGED SFP+	
0 PLC ± 1 PLC ±0.1 2 PLC ±0.1 3 PLC ±0.1 4 PLC ±0.1 ANGLES ±1° FINISH		PRODUCT SPEC 108-2364	RESTRICTED TO	
MATERIAL		APPLICATION SPEC 114-13120	SIZE A200779	CAGE CODE C-2169851
⚠		WEIGHT -	SCALE 4:1 SHEET 1 OF 3 REV A1	
		Customer Drawing		

THIS DRAWING IS UNPUBLISHED. RELEASED FOR PUBLICATION
 © COPYRIGHT copyright.d08e- ALL RIGHTS RESERVED.

LOC	DIST	REVISIONS					
GP	00	P	LTR	DESCRIPTION	DATE	DWN	APVD

P/N: 2169851-6
 UNMARKED DIMENSION SAME AS 2169851-1



2169851-6

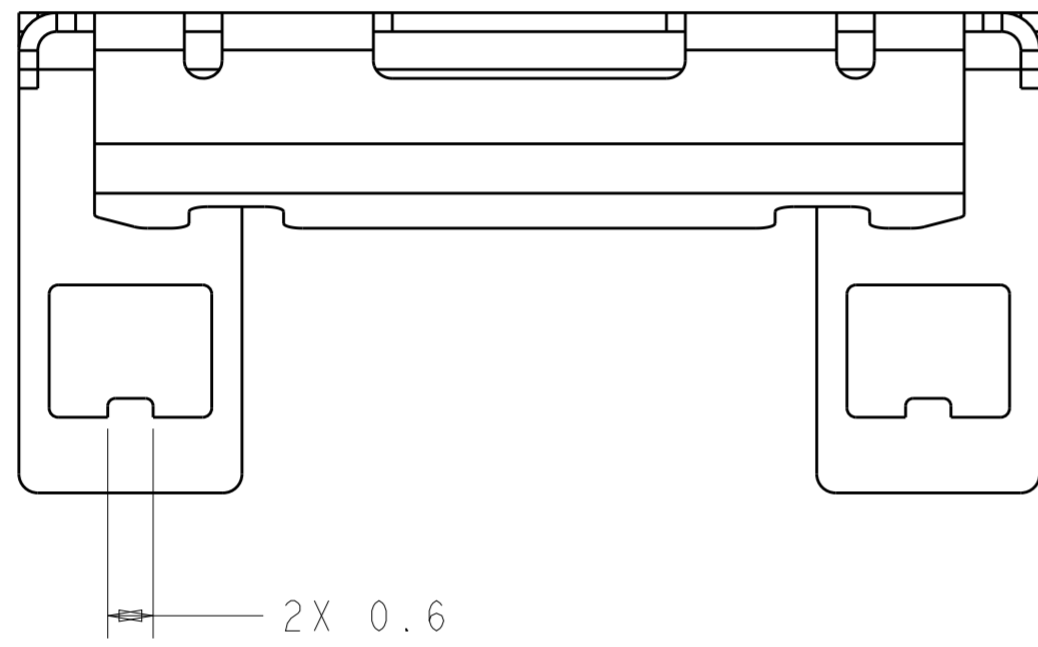
PART NUMBER

THIS DRAWING IS A CONTROLLED DOCUMENT.		DWN B. MATTHEWS 17AUG2010	TE Connectivity	
DIMENSIONS: mm		CHK M. SCHMITT 17AUG2010		
TOLERANCES UNLESS OTHERWISE SPECIFIED:		APVD M. SCHMITT 17AUG2010	NAME HEATSINK CLIP GANGED SFP+	
0 PLC ±- 1 PLC ±0.1 2 PLC ±0.1 3 PLC ±0.1 4 PLC ±0.1 ANGLES ±1° FINISH		PRODUCT SPEC 108-2364	RESTRICTED TO	
MATERIAL		APPLICATION SPEC 114-13120	SIZE A200779	CAGE CODE C-2169851
		WEIGHT -	DRAWING NO -	
		Customer Drawing		SCALE 4:1 SHEET 2 OF 3 REV A1

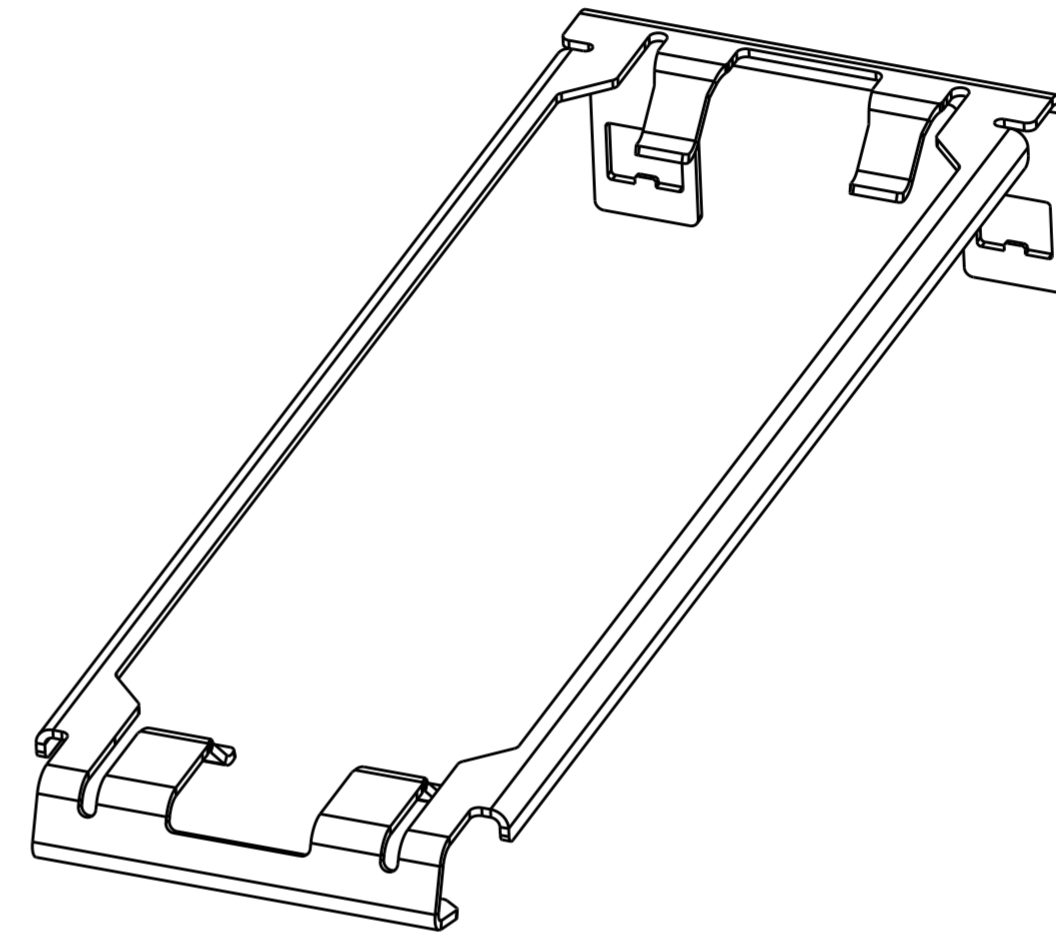
THIS DRAWING IS UNPUBLISHED. RELEASED FOR PUBLICATION
 © COPYRIGHT copyright.d0te- ALL RIGHTS RESERVED.

LOC		DIST		REVISIONS			
P	LTR	DESCRIPTION	DATE	DWN	APVD		
GP	00						

P/N: 2169851-8
 UNMARKED DIMENSION SAME AS 2169851-6



SCALE 10:1



2169851-8
 PART
 NUMBER

THIS DRAWING IS A CONTROLLED DOCUMENT.		DWN B. MATTHEWS 17AUG2010	STE TE Connectivity	
		CHK M. SCHMITT 17AUG2010		
DIMENSIONS: mm		APVD M. SCHMITT 17AUG2010	NAME HEATSINK CLIP GANGED SFP+	
TOLERANCES UNLESS OTHERWISE SPECIFIED:		PRODUCT SPEC 108-2364	RESTRICTED TO	
0 PLC ±-		APPLICATION SPEC 114-13120	SIZE A2100779	CAGE CODE C-2169851
1 PLC ±0.1		WEIGHT -	SCALE 4:1	SHEET 3 OF 3
2 PLC ±0.1				REV A1
3 PLC ±0.1				
4 PLC ±0.1				
ANGLES ±1°		Customer Drawing		
FINISH				

X-ON Electronics

Largest Supplier of Electrical and Electronic Components

Click to view similar products for [I/O Connectors](#) category:

Click to view products by [TE Connectivity](#) manufacturer:

Other Similar products are found below :

[571763P](#) [72.250.1628.2](#) [72.250.2428.2](#) [74720-0505](#) [76.350.0729.0](#) [76871-1403](#) [FCN-244F080-G/1](#) [FCN-260A9920](#) [MP-5T180MUNNA-005](#)
[PCR-E36PM](#) [PCS-XE26MA+](#) [G38A71314B](#) [1571250010](#) [157-22500-3](#) [MS3471L14-19P L/C](#) [91-569786-35H](#) [172501-4002](#) [172501-6002](#)
[FCN-260C008-A/L0](#) [FCN-260C024-AL0](#) [FCN-261Z008](#) [2000314-1](#) [200331-1](#) [PCR-E36FC+](#) [PCS-E28FS+](#) [PCS-XE26SLFD+](#) [PCS-](#)
[XE26SLFDT+](#) [G730VID08BDC24](#) [U90B2054081210](#) [UE86K842720321](#) [38113800006](#) [DP3AR020WQ1R200](#) [Z4.102.0680.0](#) [500-1040](#)
[500-1052](#) [500-1054](#) [ZP-4008-66L](#) [0709821002](#) [10-565995-597N](#) [DX40-20P\(55\)](#) [5554841-1](#) [MS3474W18-8P-LC*](#) [U90B3054061110](#) [U65-](#)
[E04-4020](#) [ZPF000000000097891](#) [557-262M2-06C](#) [747360449](#) [10099439-003C-TRLF](#) [10137239-0021LF](#) [E9320-001-01](#)