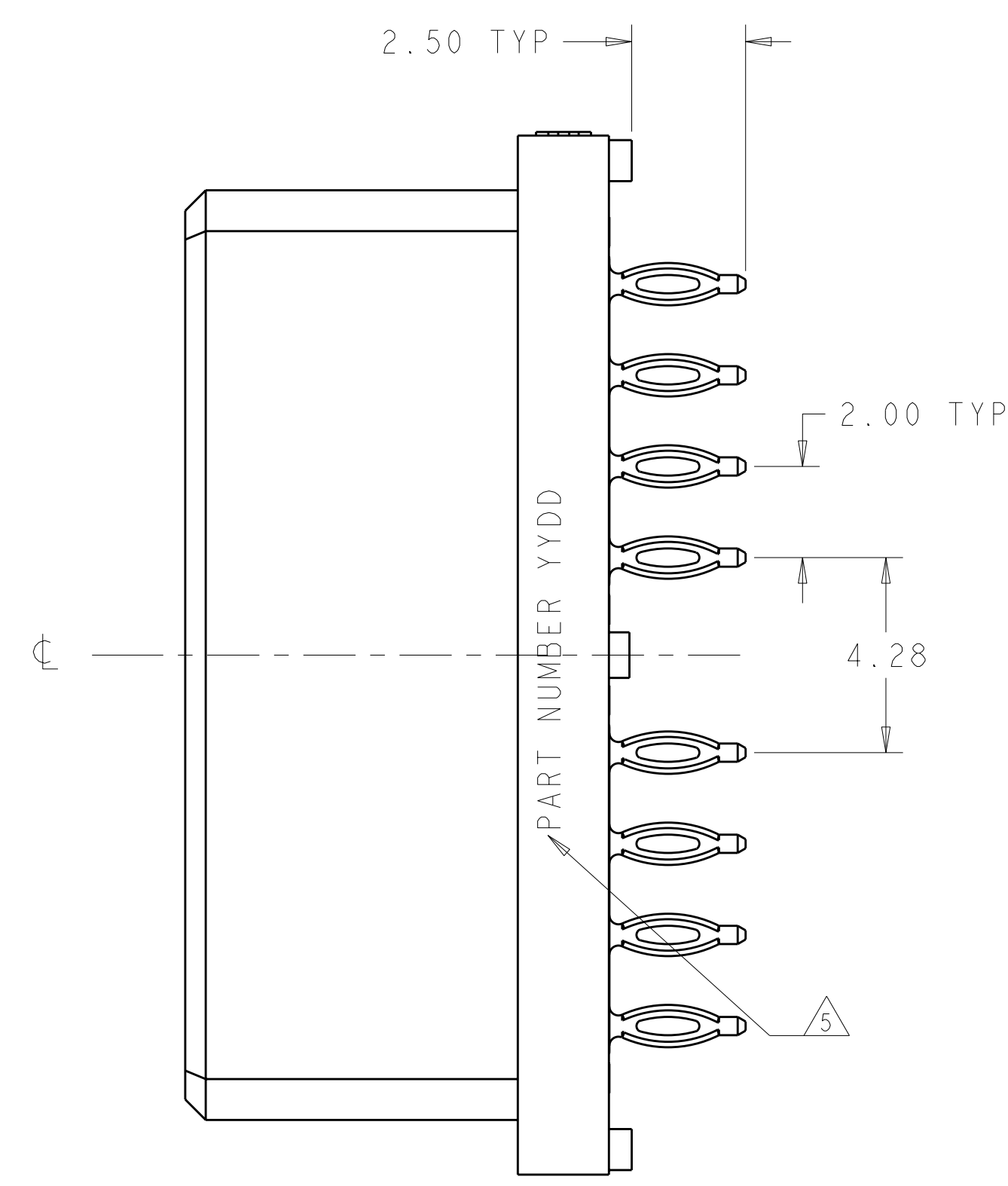
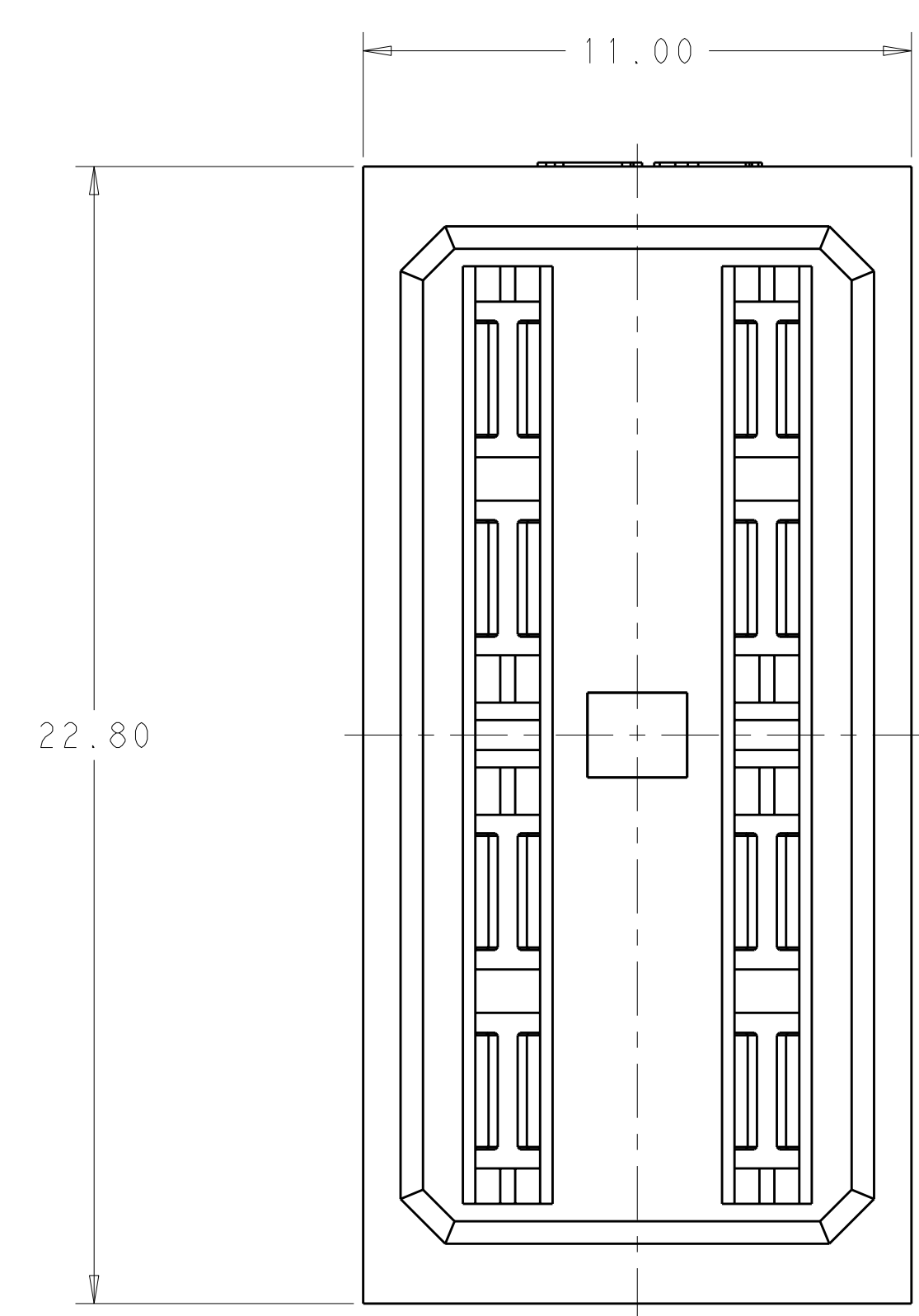
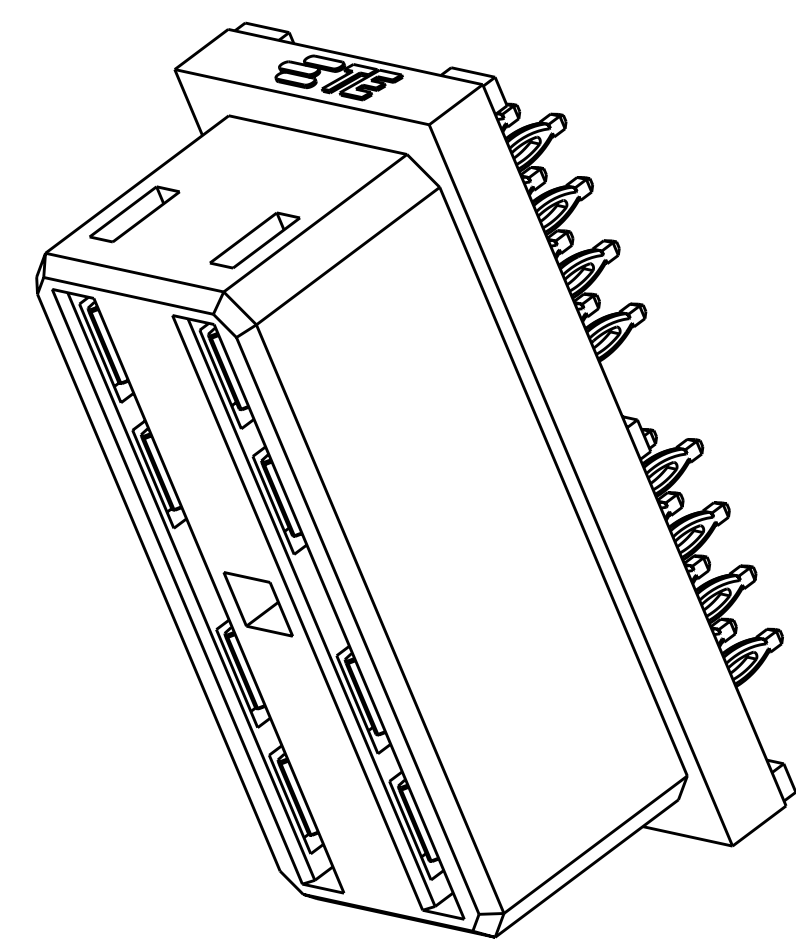
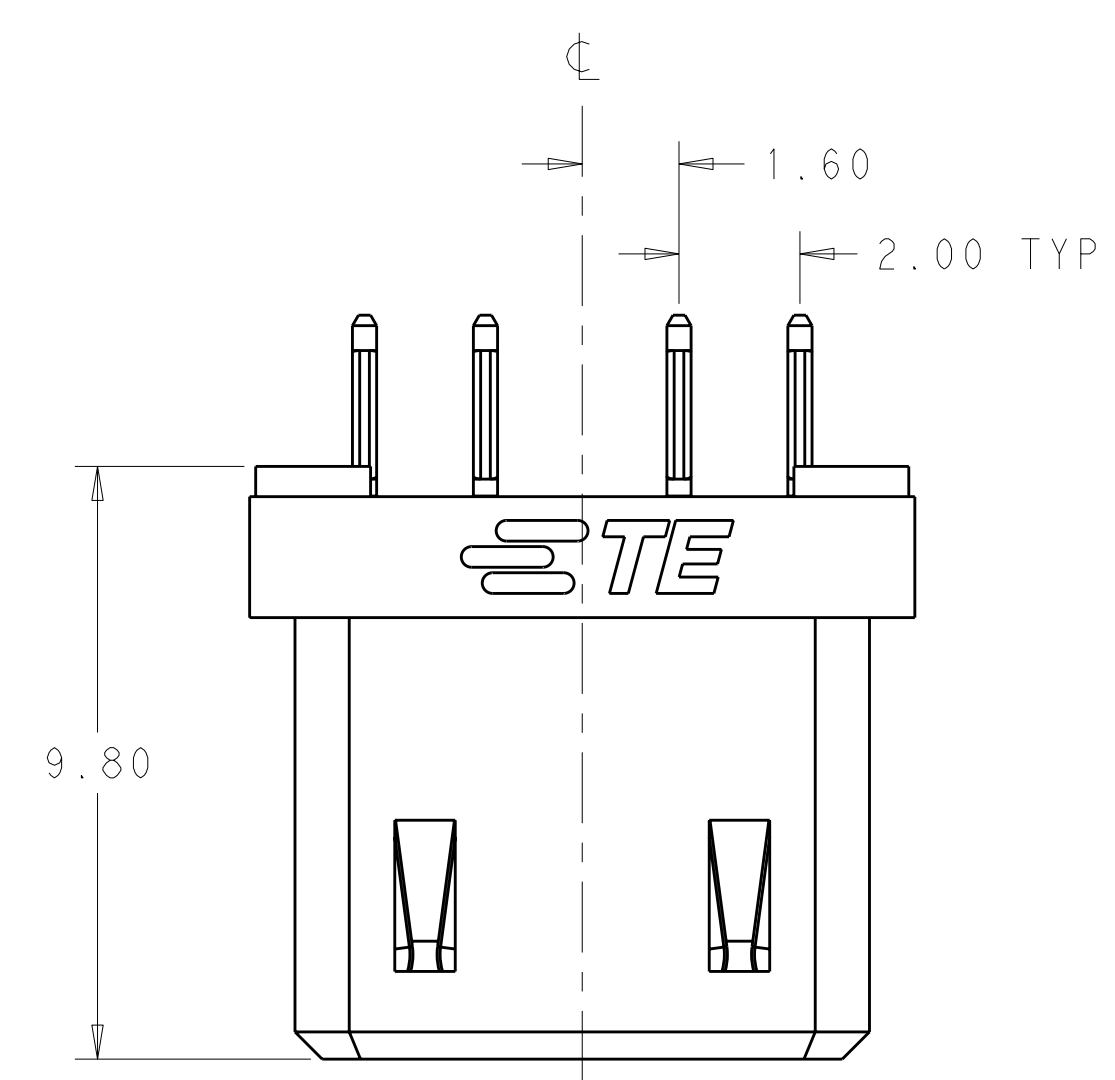


| LOC | DIST | REV | DATE      | BY | APPD |
|-----|------|-----|-----------|----|------|
| 1   | 1    | 1   | 21MAR2011 | AY | JHC  |



NOTES:

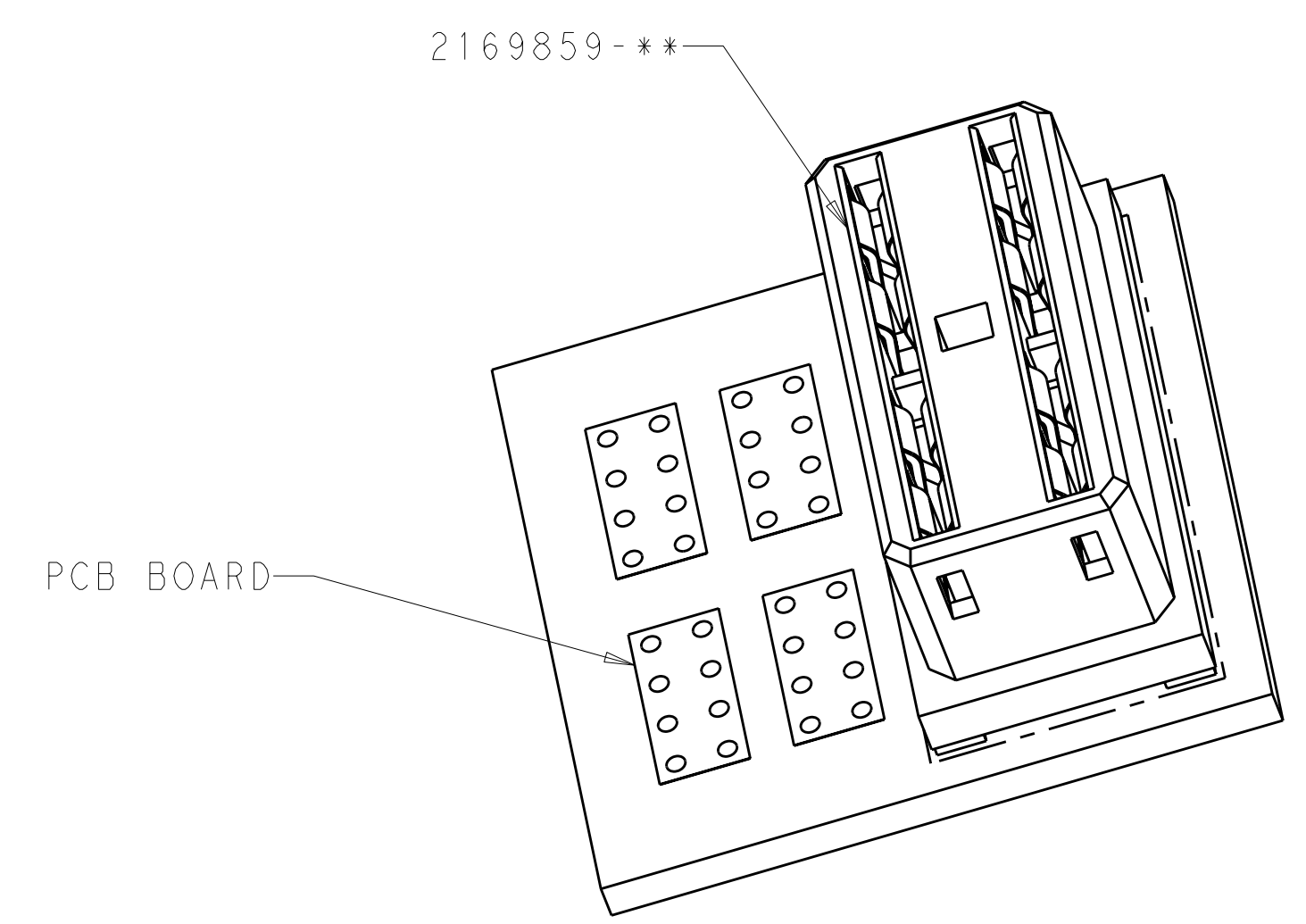
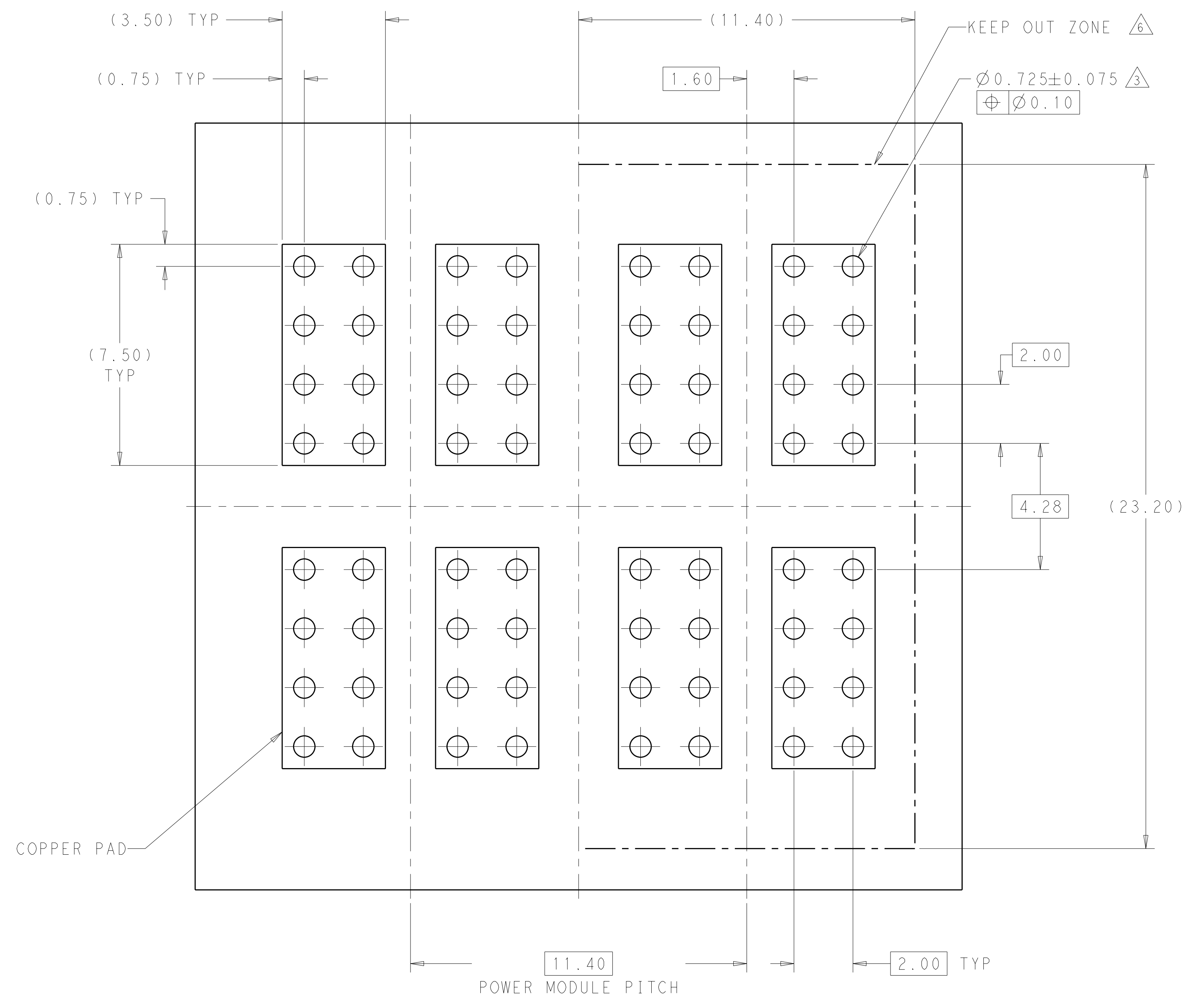
1. MATERIALS:  
 HOUSING: HIGH TEMP, THERMOPLASTIC GLASS/MINERAL FILLED UL94V-0.  
 CONTACT: COPPER ALLOY
2. FINISH OPTION  
 TIN OPTION: GOLD AT CONTACT AREA AND NICKEL UNDERPLATE OVER ALL TIN AT TAIL AREA.  
 TIN-LEAD OPTION: GOLD AT CONTACT AREA AND NICKEL UNDERPLATE OVER ALL TIN-LEAD AT TAIL AREA.
3. PCB NOTE FOR DIAMETER 0.725mm PLATED HOLE.  
 -DRILLED HOLE SIZE IS 0.838mm  
 -PLATED WITH 0.007mm MIN. TIN OVER.  
 0.03 TO 0.08mm COPPER UNDERPLATE TO ACHIEVE 0.725±0.075mm HOLE.
4. MATES WITH 2169869-\*\*\*.
5. PART NUMBER AND DATE CODE AT ASSEMBLY AREA AS APPROXIMATE SHOWN.
6. KEEP OUT ZONE FROM OTHER COMPONENTS.

DESIGN APPROVED THIS PRINT IS  
**PRELIMINARY**  
 TO FIRST PIECE APPROVAL  
 CONTACT PRODUCT ENGINEERING  
 BEFORE USING THIS PRINT

|           |                  |             |
|-----------|------------------|-------------|
| TRAY      | TIN-LEAD PLATING | 5-2169859-1 |
|           | TIN PLATING      | 2169859-1   |
| PACKAGING | △ PLATING OPTION | PART NUMBER |

|  |  |              |           |   |           |            |               |       |
|--|--|--------------|-----------|---|-----------|------------|---------------|-------|
| THIS DRAWING IS A CONTROLLED DOCUMENT.   |  | OWN          | 2011.2.22 | TE Connectivity<br>NAME<br>IMPACT POWER, 5 PAIR<br>VERTICAL RECEPTACLE<br>PRESS-FIT |           |            |               |       |
| DIMENSIONS:  |  | CHK          | 2011.2.22 |   |           |            |               |       |
| TOLERANCES UNLESS OTHERWISE SPECIFIED:   |  | APVD         | 2011.2.22 |   |           |            |               |       |
| mm   |  | JHC          |           |   |           |            |               |       |
| 0 PLC ±...<br>1 PLC ±...<br>2 PLC ±0.25<br>3 PLC ±...<br>4 PLC ±...<br>ANGLES ±... |  | PRODUCT SPEC | 108-****  | SIZE  | CAGE CODE | DRAWING NO | RESTRICTED TO |       |
| MATERIAL   |  | FINISH       | 114-****  | WEIGHT  | A100779   | C=2169859  | -             |       |
| CUSTOMER DRAWING   |  | SCALE        |           | NA  | SHEET     | 1          | OF 2          | REV 1 |

| LOC |      | DIST |     | REVISIONS   |      |     |      |
|-----|------|------|-----|-------------|------|-----|------|
| NO. | DATE | BY   | CHK | DESCRIPTION | DATE | OWN | APVD |
| 1   |      |      |     | SEE SHEET 1 |      |     |      |



RECOMMENDED PCB LAYOUT  
 (COMPONENT SIDE SHOWN)  
 MINIMUM BOARD THICKNESS: 1.60mm

|  |  |                  |  |                  |           |            |                       |
|--|--|------------------|--|------------------|-----------|------------|-----------------------|
| THIS DRAWING IS A CONTROLLED DOCUMENT.   |  | OWN              | 2011.2.22  | TE Connectivity  |           |            |                       |
| DIMENSIONS:  |  | CHK              | 2011.2.22  |                  |           |            |                       |
| TOLERANCES UNLESS OTHERWISE SPECIFIED:   |  | APVD             | 2011.2.22  |                  |           |            |                       |
| 0 PLC ±0.1<br>1 PLC ±0.15<br>2 PLC ±0.25<br>3 PLC ±0.1<br>4 PLC ±0.1<br>ANGLES ±0.5°<br>FINISH |  | NAME             | IMPACT POWER, 5 PAIR<br>VERTICAL RECEPTACLE<br>PRESS-FIT |                  |           |            |                       |
| MATERIAL   |  | PRODUCT SPEC     | 108-****   | SIZE             | CAGE CODE | DRAWING NO | RESTRICTED TO         |
|  |  | APPLICATION SPEC | 114-****   | A100779          | C=2169859 |            |                       |
|  |  | WEIGHT           |  | CUSTOMER DRAWING |           | SCALE      | NA SHEET 2 OF 2 REV 1 |

## X-ON Electronics

Largest Supplier of Electrical and Electronic Components

*Click to view similar products for [Power to the Board](#) category:*

*Click to view products by [TE Connectivity](#) manufacturer:*

Other Similar products are found below :

[6450171-4](#) [6450552-7](#) [6600323-8](#) [6643429-1](#) [6646040-2](#) [6651939-1](#) [6766604-1](#) [120959-1](#) [1393557-2](#) [1393532-2](#) [1393532-3](#) [1393532-4](#)  
[1393557-1](#) [1600812-5](#) [1-6450861-2](#) [1744132-7](#) [1761122-1](#) [1766250-1](#) [1892109-1](#) [2-6450860-5](#) [2-6450870-0](#) [1-6450161-4](#) [1-6450850-6](#) [1-](#)  
[6450869-6](#) [1645526-2](#) [1-6600130-0](#) [2005243-2](#) [377-0020-11130](#) [TE34-12-16P-F0](#) [51700-10201602AALF](#) [5-6450830-6](#) [5646956-4](#) [377-](#)  
[0080-11131A](#) [4-6450830-9](#) [4-6600333-3](#) [10125416-4050LF](#) [10130248-005LF](#) [6600320-3](#) [3-6450860-5](#) [1888123-2](#) [6450166-1](#) [6643978-1](#)  
[6766605-1](#) [701-15-02109](#) [N11444](#) [6651938-1](#) [6450810-7](#) [46437-1112](#) [1-1589677-8](#) [5646956-5](#)