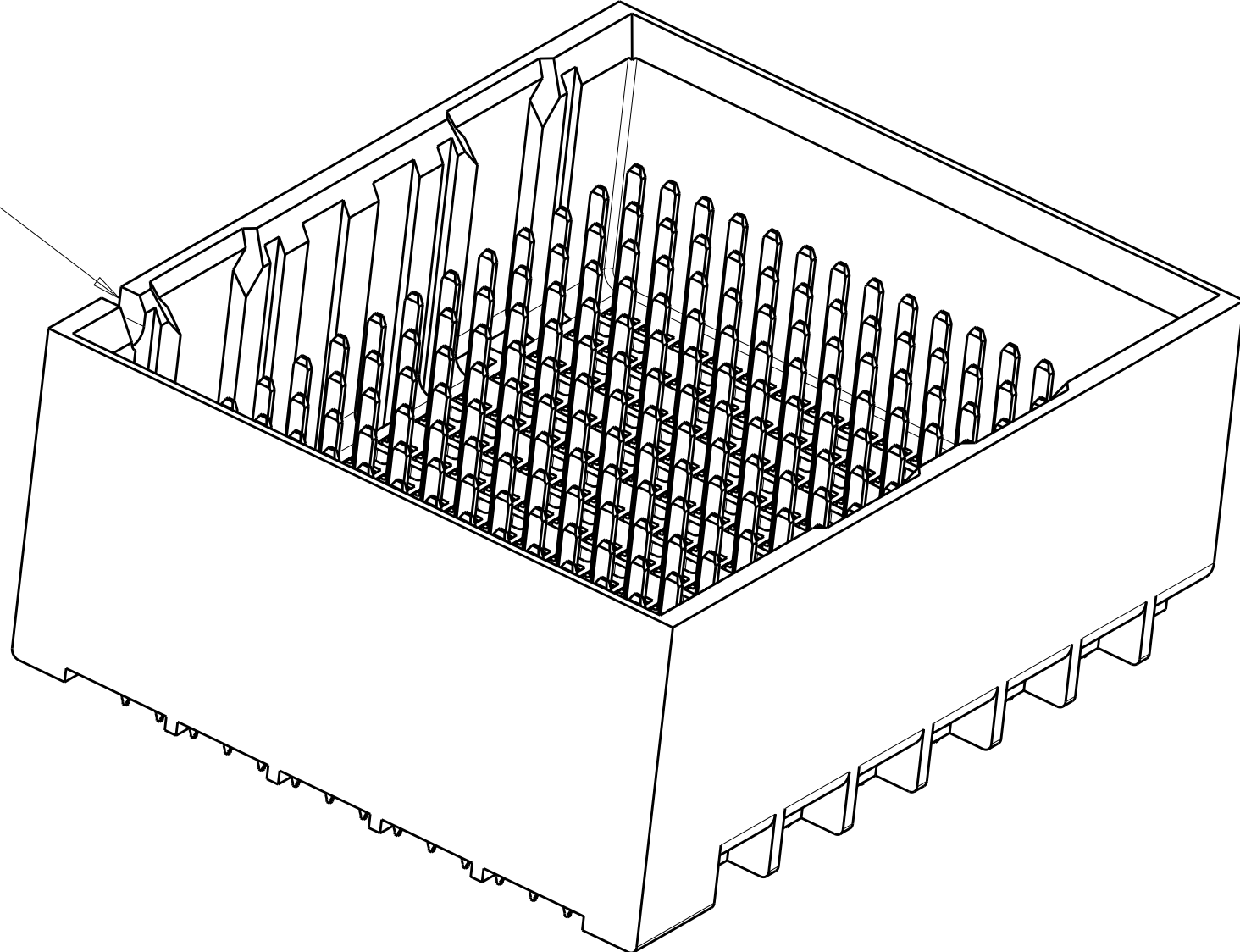
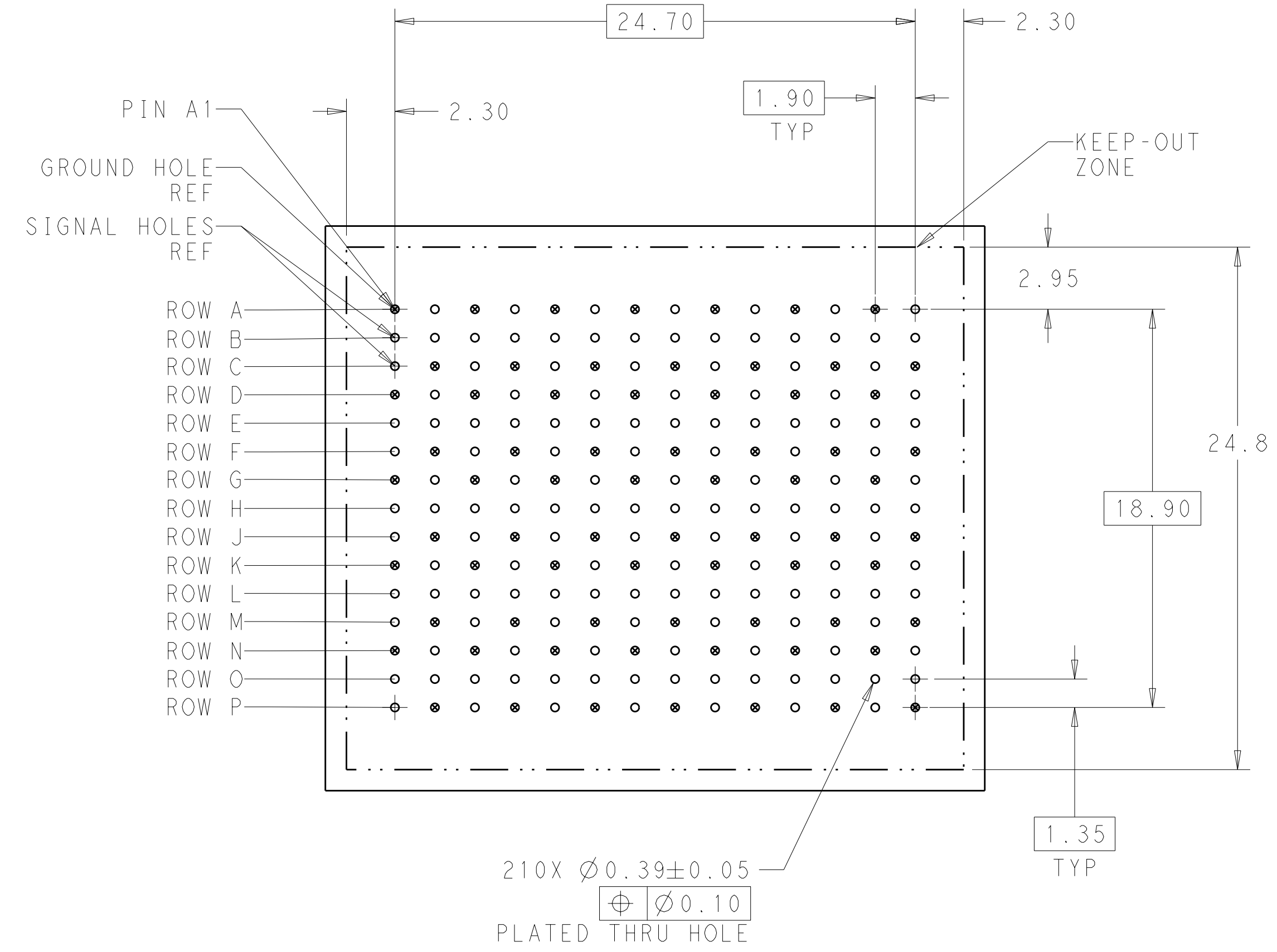
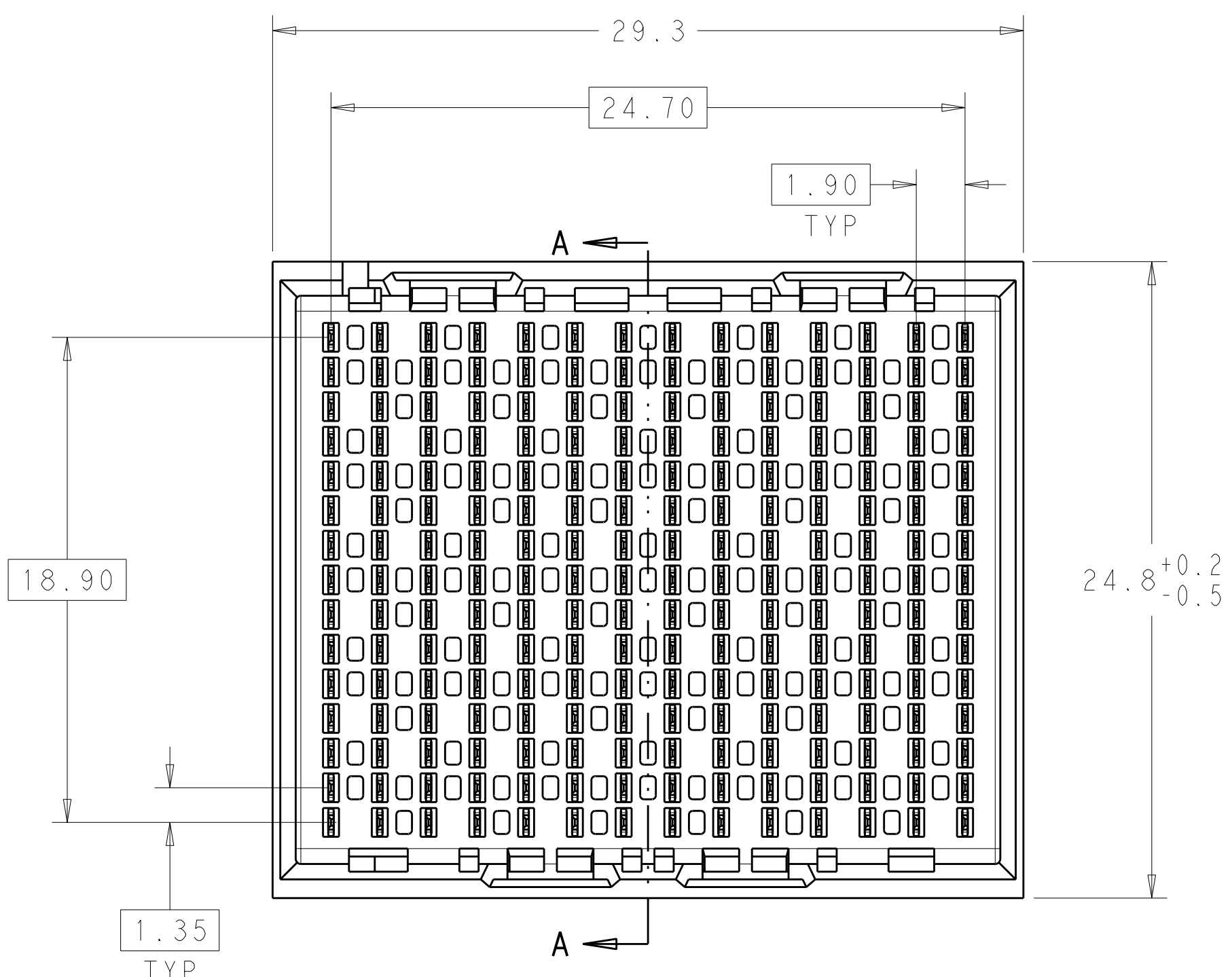


LOC	DIST	REVISIONS					
AD	00	P	LTB	DESCRIPTION	DATE	DWN	APVD
		1		DRAWING CREATED BY AUTOMATION PROGRAM	02MAY2011	-	JE
		2		2169868-2 ADDED TO PRINT	25APR2012	-	JE

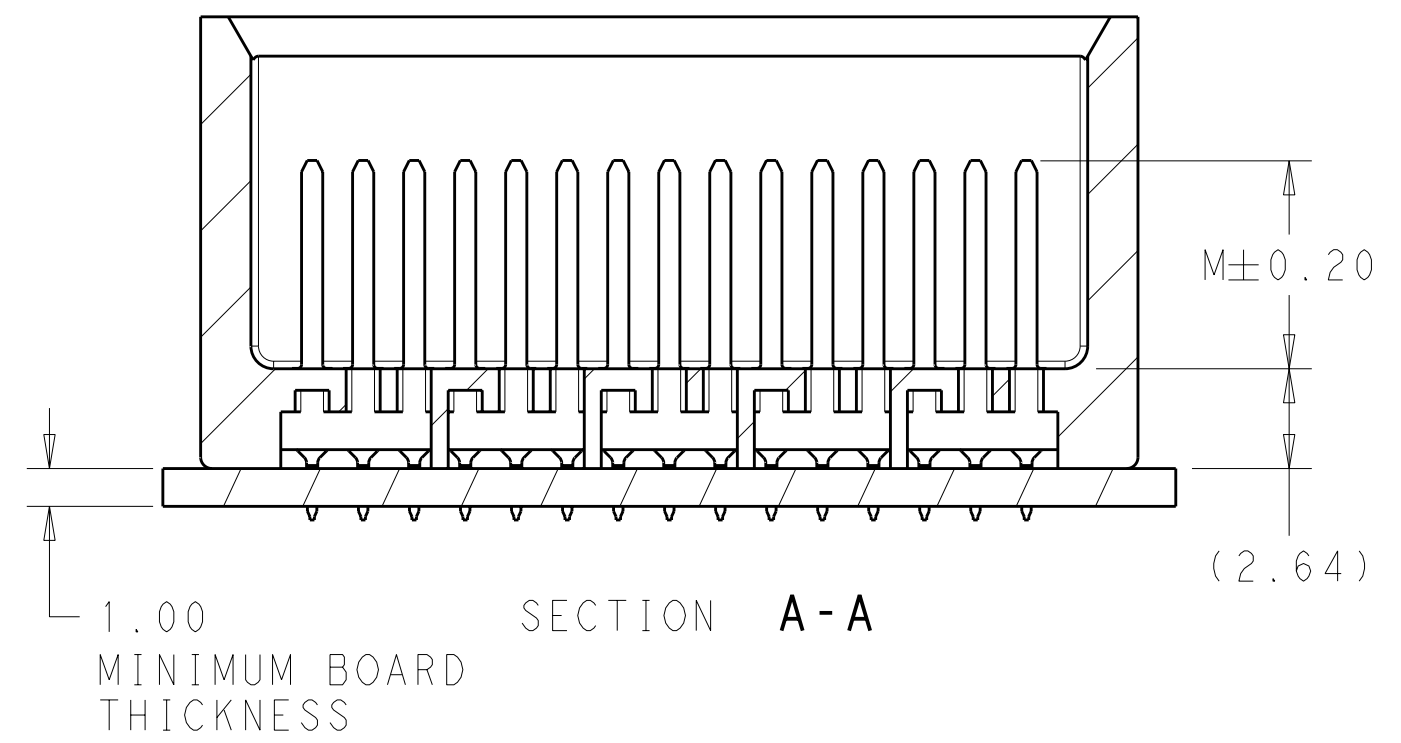
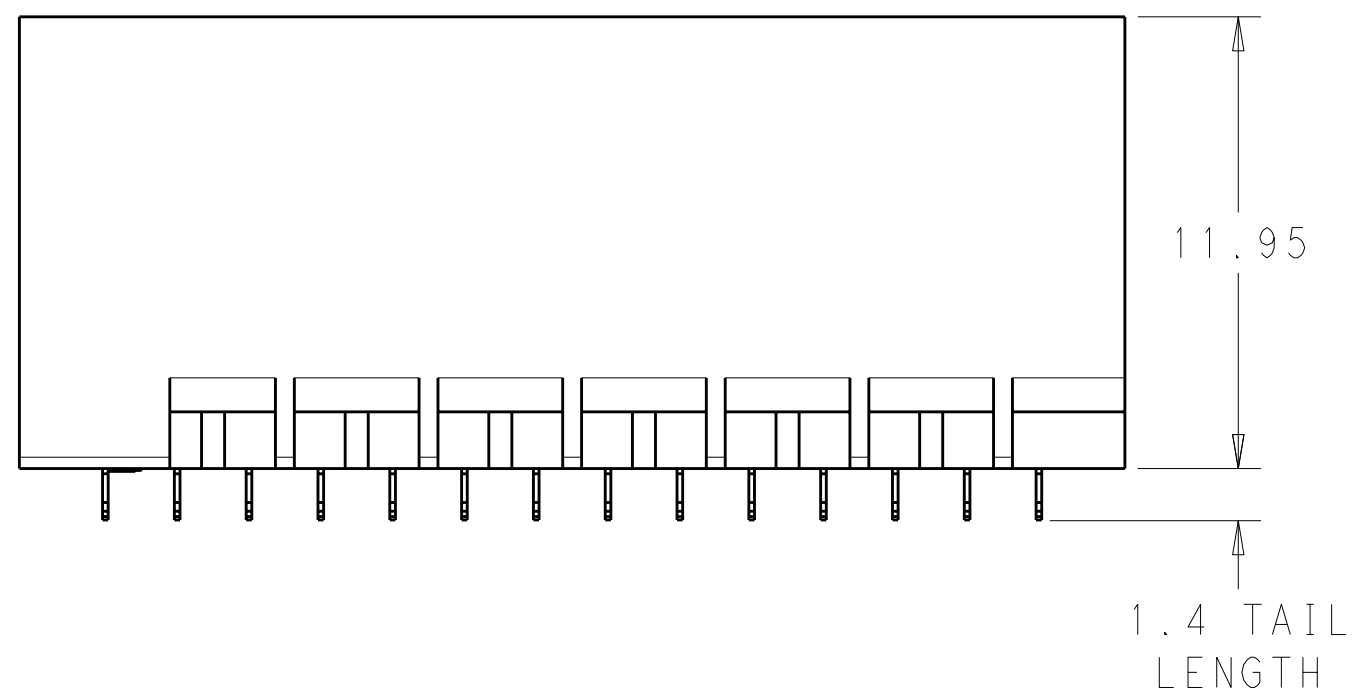
NOTCH DESIGNATES ROW A



- 1 MATERIAL:
HOUSING: LCP, GLASS FILLED, UL94V-0.
TERMINALS: HIGH PERFORMANCE COPPER ALLOY.
- 2 FINISH:
30μ" MIN GOLD IN CONTACT AREA. SELECTIVE TIN ON PCB TAILS, NICKEL OVERALL.



UNGUIDED BACKPLANE HOLE PATTERN (CONNECTOR SIDE)



DESIGN APPROVED THIS PRINT IS
PRELIMINARY
 TO FIRST PIECE APPROVAL CONTACT PRODUCT ENGINEERING BEFORE USING THIS PRINT

DIMENSIONS: mm		TOLERANCES UNLESS OTHERWISE SPECIFIED: 9 PLC ± 3 PLC ±0.25 5 PLC ±0.13 4 PLC ± ANGLES ±		DWN R. GRZYBOWSKI 02MAY2011 CHK J. EABY 02MAY2011 APVD J. EABY 02MAY2011		Tyco Electronics Corporation Harrisburg, PA 17105-3608	
MATERIAL:		FINISH:		NAME: IMPACT, 5 PAIR, 14 COLUMN, HEADER UNGUIDED, DUAL END WALL SIGNAL MODULE, 0.39 PTH, SELECT LOAD		RESTRICTED TO:	
WEIGHT:		FINISH:		SIZE: CAGE CODE DRAWING NO: A1100779C=2169868		SCALE: 5:1 SHEET 1 OF 2 REV 2	
CUSTOMER DRAWING				SCALE: 5:1 SHEET 1 OF 2 REV 2			

THIS DRAWING IS UNPUBLISHED. RELEASED FOR PUBLICATION 20
 © COPYRIGHT 20 BY TYCO ELECTRONICS CORPORATION. ALL INTERNATIONAL RIGHTS RESERVED.

LOC	DIST	REVISIONS			
AD	00	REV	DATE	BY	APPD
-	-	1	SEE SHEET 1	-	-

2169868-1														
PART NUMBER														
CONTACT LAYOUT														
A = 4.5mm (DIM M)														
B = 4.9mm (DIM M)														
C = 5.5mm (DIM M)														
X = EMPTY														
COLUMNS														
	1	2	3	4	5	6	7	8	9	10	11	12	13	14
A	A	A	A	A	X	A	A	A	A	X	A	A	A	A
B	A	A	A	A	X	A	A	A	A	X	A	A	A	A
C	A	A	A	A	X	A	A	A	A	X	A	A	A	A
D	A	A	A	A	X	A	A	A	A	X	A	A	A	A
E	A	A	A	A	X	A	A	A	A	X	A	A	A	A
F	A	A	A	A	X	A	A	A	A	X	A	A	A	A
G	A	A	A	A	X	A	A	A	A	X	A	A	A	A
H	A	A	A	A	X	A	A	A	A	X	A	A	A	A
J	A	A	A	A	X	A	A	A	A	X	A	A	A	A
K	A	A	A	A	X	A	A	A	A	X	A	A	A	A
L	A	A	A	A	X	A	A	A	A	X	A	A	A	A
M	A	A	A	A	X	A	A	A	A	X	A	A	A	A
N	A	A	A	A	X	A	A	A	A	X	A	A	A	A
O	A	A	A	A	X	A	A	A	A	X	A	A	A	A
P	A	A	A	A	X	A	A	A	A	X	A	A	A	A

2169868-2														
PART NUMBER														
CONTACT LAYOUT														
A = 4.5mm (DIM M)														
B = 4.9mm (DIM M)														
C = 5.5mm (DIM M)														
X = EMPTY														
COLUMNS														
	1	2	3	4	5	6	7	8	9	10	11	12	13	14
A	A	A	A	A	A	A	X	X	A	A	A	A	A	A
B	A	A	A	A	A	A	X	X	A	A	A	A	A	A
C	A	A	A	A	A	A	X	X	A	A	A	A	A	A
D	A	A	A	A	A	A	X	X	A	A	A	A	A	A
E	A	A	A	A	A	A	X	X	A	A	A	A	A	A
F	A	A	A	A	A	A	X	X	A	A	A	A	A	A
G	A	A	A	A	A	A	X	X	A	A	A	A	A	A
H	A	A	A	A	A	A	X	X	A	A	A	A	A	A
J	A	A	A	A	A	A	X	X	A	A	A	A	A	A
K	A	A	A	A	A	A	X	X	A	A	A	A	A	A
L	A	A	A	A	A	A	X	X	A	A	A	A	A	A
M	A	A	A	A	A	A	X	X	A	A	A	A	A	A
N	A	A	A	A	A	A	X	X	A	A	A	A	A	A
O	A	A	A	A	A	A	X	X	A	A	A	A	A	A
P	A	A	A	A	A	A	X	X	A	A	A	A	A	A

REFER TO WWW.TE.COM
FOR PRODUCT AVAILABILITY

DESIGN APPROVED THIS PRINT IS
PRELIMINARY
TO FIRST PIECE APPROVAL
CONTACT PRODUCT ENGINEERING
BEFORE USING THIS PRINT

DIMENSIONS:		TOLERANCES UNLESS OTHERWISE SPECIFIED:		DWN R. GRZYBOWSKI 02MAY2011		Tyco Electronics Corporation Harrisburg, PA 17105-3608	
mm		0 PLC ±0.25		CHK J. EBY 02MAY2011		NAME IMPACT, 5 PAIR, 14 COLUMN, HEADER	
		1 PLC ±0.13		APVD J. EBY 02MAY2011		UNGUIDED, DUAL END WALL	
		5 PLC ±		PRODUCT SPEC		SIGNAL MODULE, 0.39 PTH, SELECT LOAD	
		4 PLC ±		APPLICATION SPEC		SIZE CAGE CODE DRAWING NO	
		ANGLES ±		WEIGHT		A100779C=2169868	
		FINISH		CUSTOMER DRAWING		RESTRICTED TO	
		SEE TABLE		SCALE 5:1		SHEET 2 OF 2	
				REV 2			

X-ON Electronics

Largest Supplier of Electrical and Electronic Components

Click to view similar products for [High Speed/Modular Connectors](#) category:

Click to view products by [TE Connectivity](#) manufacturer:

Other Similar products are found below :

[650827-1](#) [74040-1346](#) [1410191-1](#) [1410368-3](#) [1410964-2](#) [1410326-3](#) [1410367-3](#) [1410971-4](#) [1467833-1](#) [2000877-1](#) [2000878-1](#) [2041314-1](#)
[2065387-1](#) [2187307-1](#) [163P](#) [1934290-1](#) [2000875-1](#) [2065917-1](#) [2102736-2](#) [FSR-40](#) [2169868-2](#) [22354-8](#) [437-5040-000](#) [5-1393565-0](#) [039-](#)
[0246-000](#) [0740618502](#) [0761601016](#) [0784461022](#) [10123159-12ELF](#) [030-2415-003/100 PK](#) [030-7380-004](#) [030-2494-001](#) [532939-1](#) [5532901-](#)
[3](#) [3-1469268-7](#) [74748-102LF](#) [10041743-101LF](#) [10066670-100002LF](#) [1-533915-1](#) [249-4515-000](#) [7-1469373-3](#) [DL2-2J/S](#) [2000713-8](#)
[2000713-7](#) [10124313-101LF](#) [3011-21](#) [757105208](#) [430305-001](#) [4395800100](#) [8140115](#)