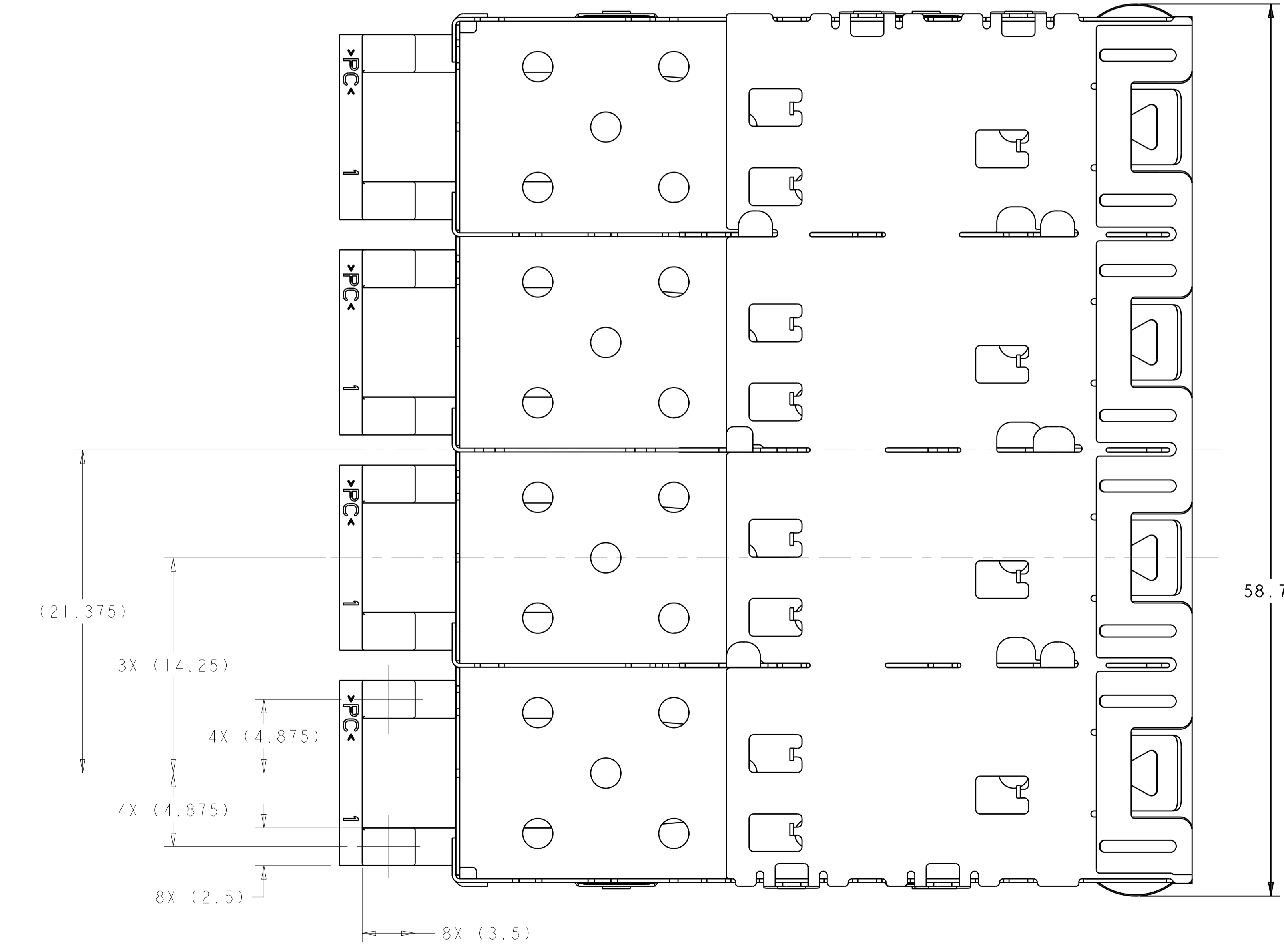
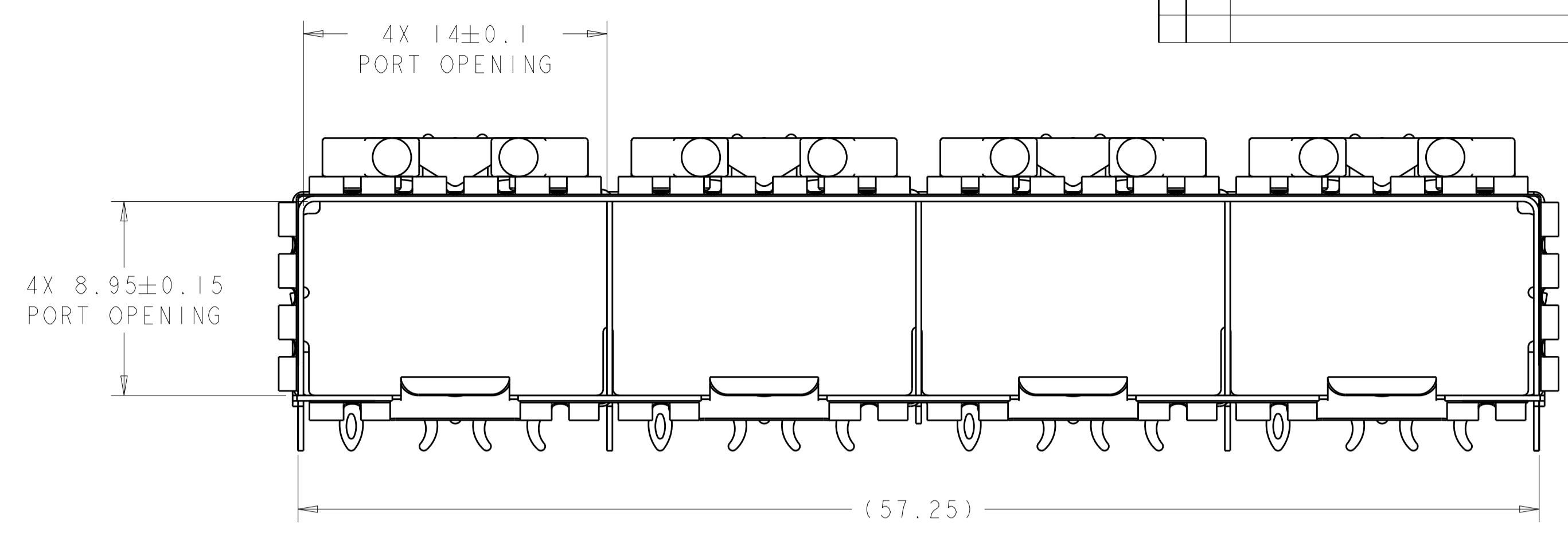
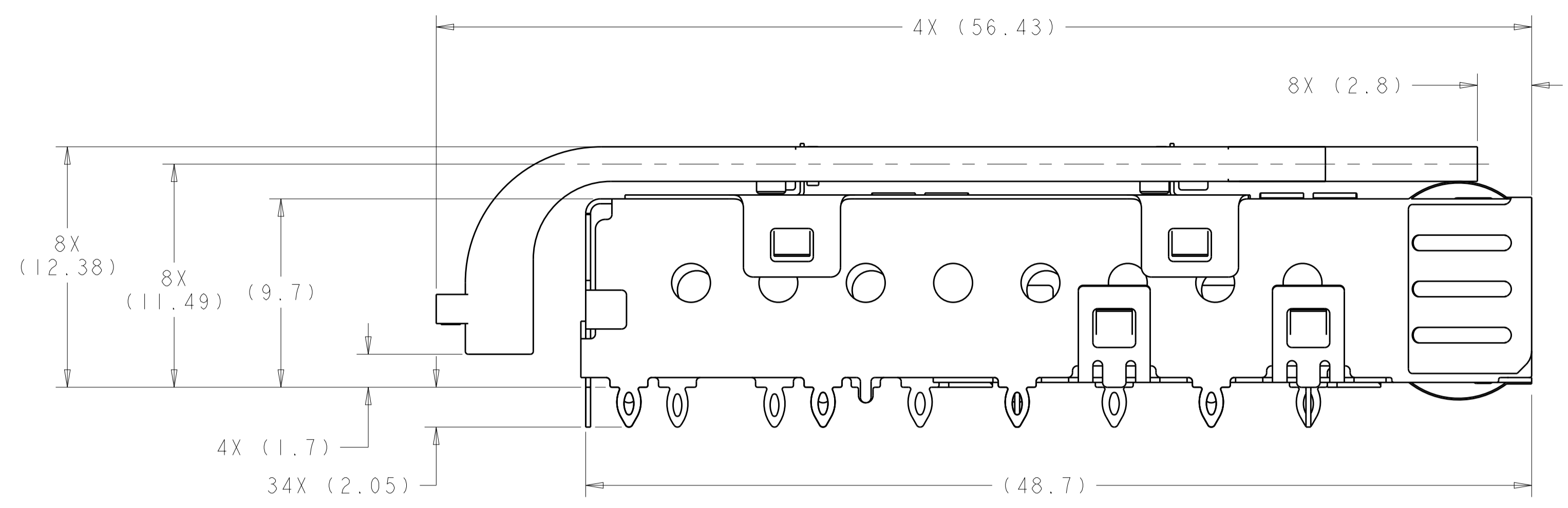
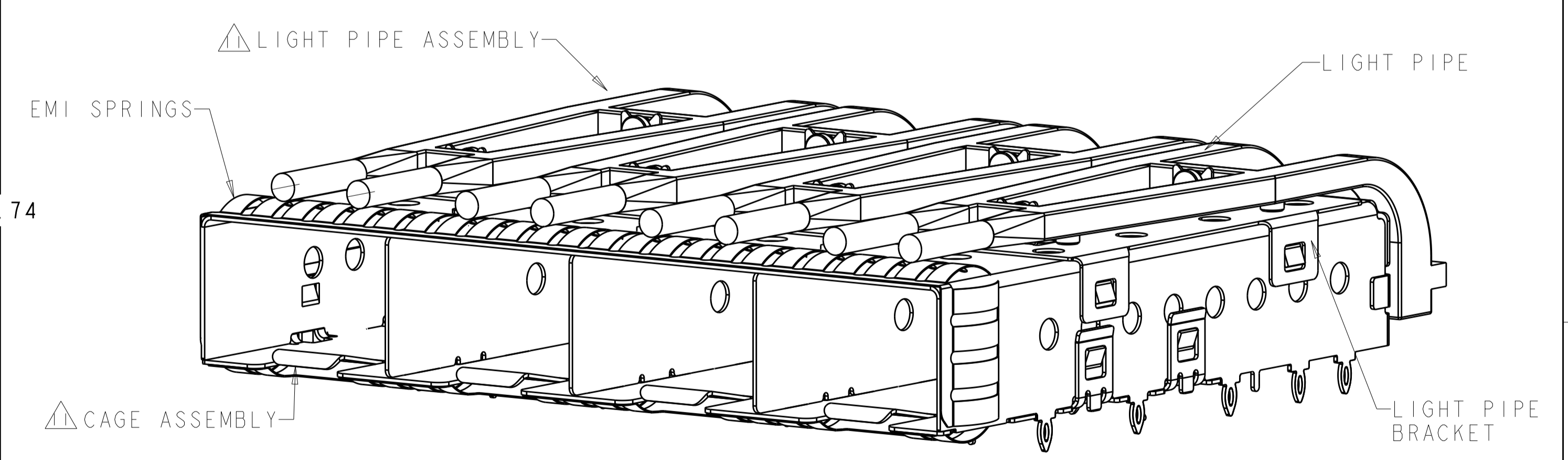


LOC		DIST		REVISIONS			
GP	00	P	LTN	DESCRIPTION	DATE	DWN	APVD
		A		RELEASED	26FEB2016	JW	SH



- 1. MATERIAL:
 CAGE ASSEMBLY: 0.25mm THICK NICKEL SILVER ALLOY
 LIGHT PIPE BRACKET: STAINLESS STEEL
 LIGHT PIPE: POLYCARBONATE, CLEAR
- 2. FINISH:
 SPRINGS: MINIMUM OF 0.8um TIN PLATE OVER A MINIMUM OF 0.8um NICKEL UNDERPLATE.
 NON-PLATED EDGES PERMISSIBLE.
- 3. PADS AND VIAS CHASSIS GROUND.
- 4. DATUM AND BASIC DIMENSION ESTABLISHED BY CUSTOMER.
- 5. MATES WITH SFP MSA COMPLIANT TRANSCEIVERS.
- 6. INTERPRETATION OF DATUM REFERENCE FRAME IN ACCORDANCE WITH SECT 4.4.1.1 OF ASME Y14.5M-1994.
- 7. REFERENCE APPLICATION SPEC. 114-13120, HOLE A, FOR RECOMMENDED DRILL HOLE DIAMETER AND PLATING THICKNESS.
- 8. REFERENCE APPLICATION SPEC. 114-13120, HOLE B, FOR RECOMMENDED DRILL HOLE DIAMETER AND PLATING THICKNESS.
- 9. HOLE PATTERN REPEATS FOR EACH PORT. SPACING BETWEEN PORTS IS 14.25mm.
- 10. MINIMUM PC BOARD THICKNESS:
 SINGLE SIDED = 1.50
 DOUBLE SIDED = 2.25
- 11. LIGHT PIPE ASSEMBLY SHIPPED UNASSEMBLED TO CAGE ASSEMBLY. CAGE ASSEMBLY TO BE PRESSED INTO THE PCB PRIOR TO ATTACHING THE LIGHT PIPE ASSEMBLY TO THE CAGE.
- 12. CERTAIN MATING TRANSCEIVERS MAY REQUIRE ADDITIONAL PCB THICKNESS THAT WOULD BE DETERMINED BY THE CUSTOMER.
- 13. PRODUCT COMPLIES WITH SPECIFICATION SFF-8433 IMPROVED PLUGGABLE FROM FACTOR FOR SFP+ GANGED CAGES.

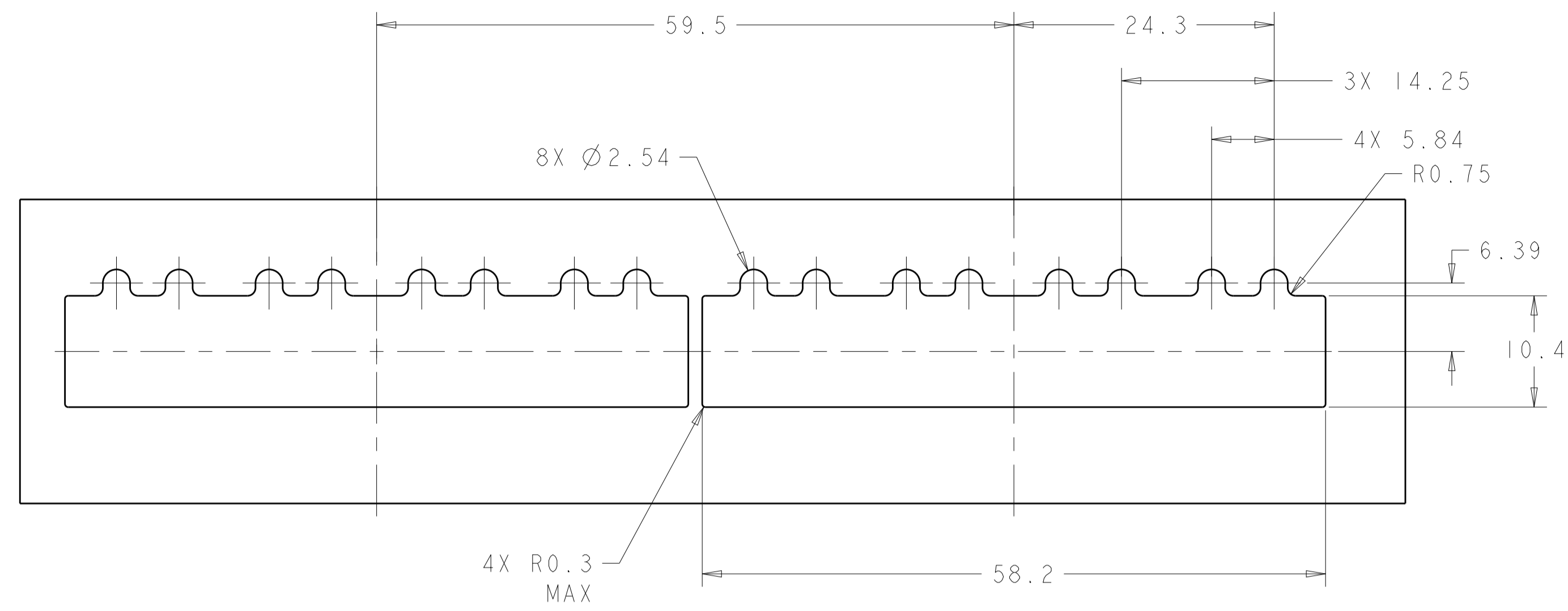


2170030-1
 FINISHED ASSEMBLY
 SCALE 4:1

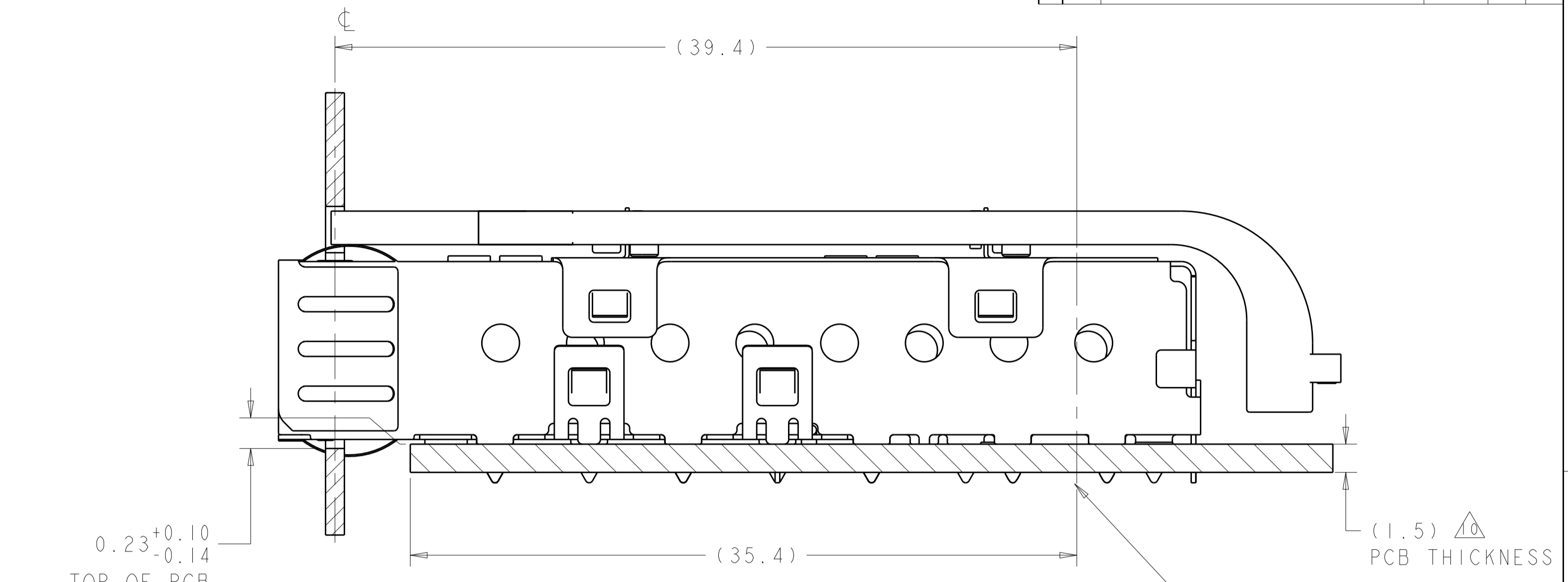
2170030-1
 PART NUMBER

THIS DRAWING IS A CONTROLLED DOCUMENT.		DWN T. XUE	Z0DEC2010	STE TE Connectivity
DIMENSIONS: mm		CHK C. WANG	Z0DEC2010	
TOLERANCES UNLESS OTHERWISE SPECIFIED:		APVD C. WANG	Z0DEC2010	NAME SFP+ 1X4 CAGE ASSEMBLY PRESS FIT, EXTERNAL EMI SPRINGS WITH ULTRA LOW PROFILE LIGHT PIPES
0 PLC ±0.1 1 PLC ±0.1 2 PLC ±0.1 3 PLC ±0.1 4 PLC ±0.1 ANGLES ±1°		PRODUCT SPEC 108-2364	APPLICATION SPEC 114-13120	
MATERIAL	FINISH	WEIGHT	SIZE A100779	DRAWING NO C=2170030
CUSTOMER DRAWING		SCALE 5:1	SHEET 1	OF 4
			REV A	

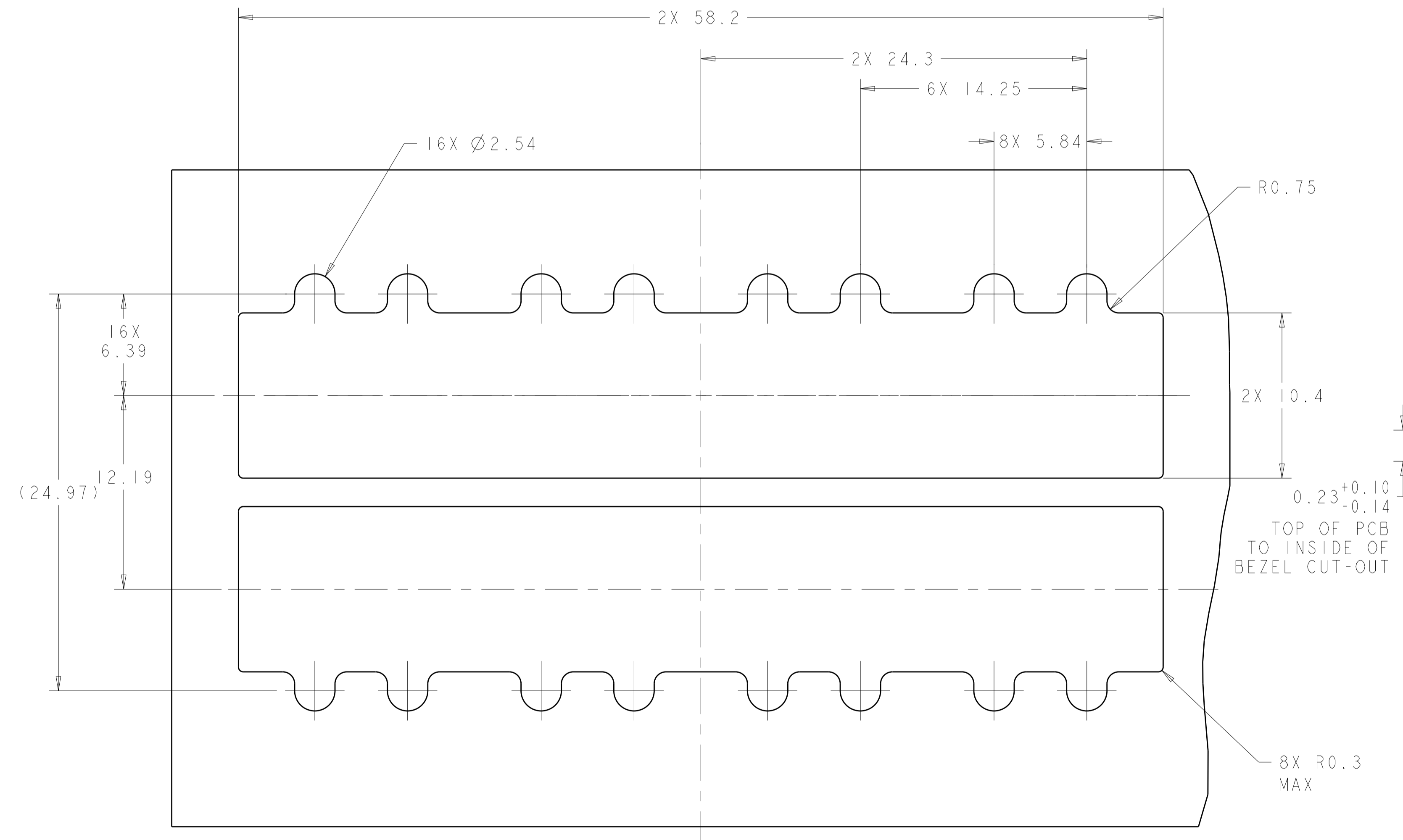
LOC		DIST		REVISIONS			
GP	00	P	LTN	DESCRIPTION	DATE	DMN	APVD
		-		SEE SHEET 1			



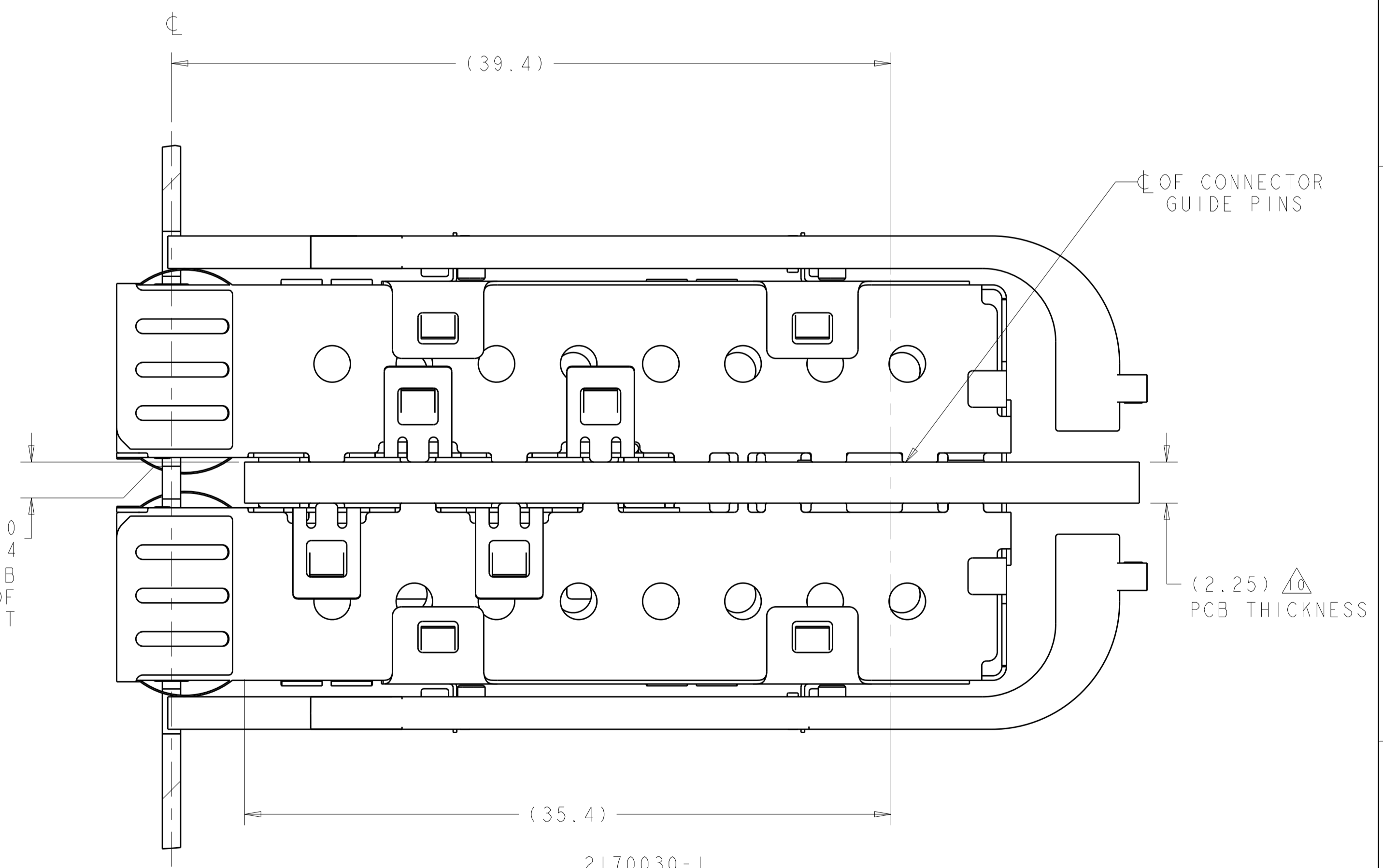
RECOMMENDED BEZEL CUT-OUT
 SINGLE SIDED APPLICATIONS
 SCALE 5:2



2170030-1
 MOUNTED ON PC BOARD
 SHOWN THRU RECOMMENDED BEZEL



RECOMMENDED BEZEL CUT-OUT
 BELLY TO BELLY APPLICATIONS

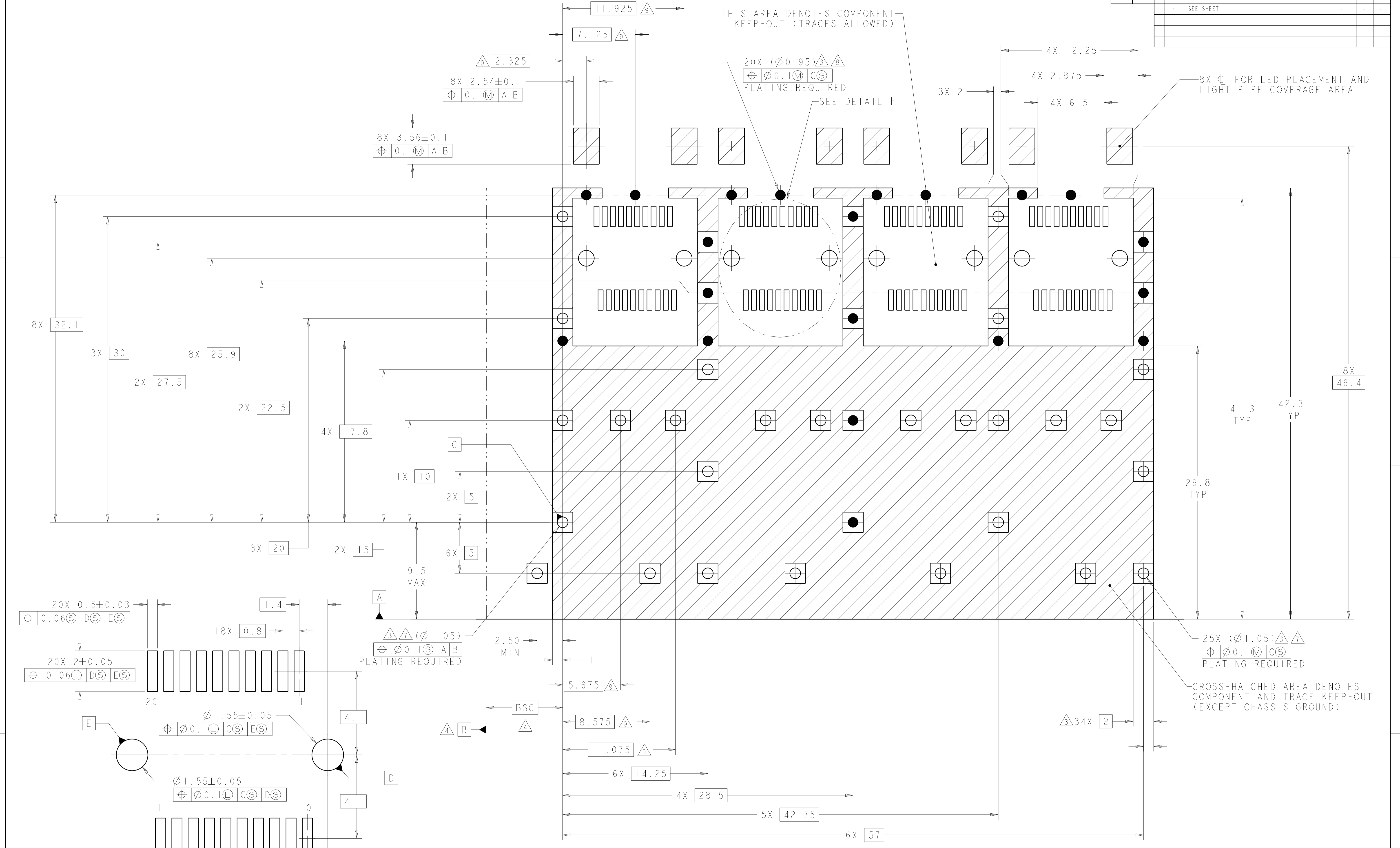


2170030-1
 MOUNTED BELLY TO BELLY ON PC BOARD
 SHOWN THRU RECOMMENDED BEZEL

THIS DRAWING IS A CONTROLLED DOCUMENT.		DMN T. XUE	Z0DEC2010	STE TE Connectivity
DIMENSIONS:		CHK C. WANG	Z0DEC2010	
mm	TOLERANCES UNLESS OTHERWISE SPECIFIED:	APVD C. WANG	Z0DEC2010	NAME SFP+ 1X4 CAGE ASSEMBLY PRESS FIT, EXTERNAL EMI SPRINGS WITH ULTRA LOW PROFILE LIGHT PIPES
Ø	0 PLC ±0.1	PRODUCT SPEC	108-2364	
	1 PLC ±0.1	APPLICATION SPEC	114-13120	
	2 PLC ±0.1	WEIGHT	A100779C=2170030	
	3 PLC ±0.1	CUSTOMER DRAWING	SCALE 5:1 SHEET 2 OF 4 REV A	
	4 PLC ±0.1			
	ANGLES ±1°			
MATERIAL	FINISH			

LOC	DIST	REV	DATE	OWN	APVD
GP	00				

REVISIONS			
REV	DATE	OWN	APVD
1			



THIS AREA DENOTES COMPONENT KEEP-OUT (TRACES ALLOWED)

20X (∅0.95)∠3∠8
 ∅0.1∩CS
 PLATING REQUIRED
 SEE DETAIL F

8X ∅ FOR LED PLACEMENT AND LIGHT PIPE COVERAGE AREA

∠3∠7 (∅1.05)
 ∅0.1∩AB
 PLATING REQUIRED

25X (∅1.05)∠3∠8
 ∅0.1∩CS
 PLATING REQUIRED

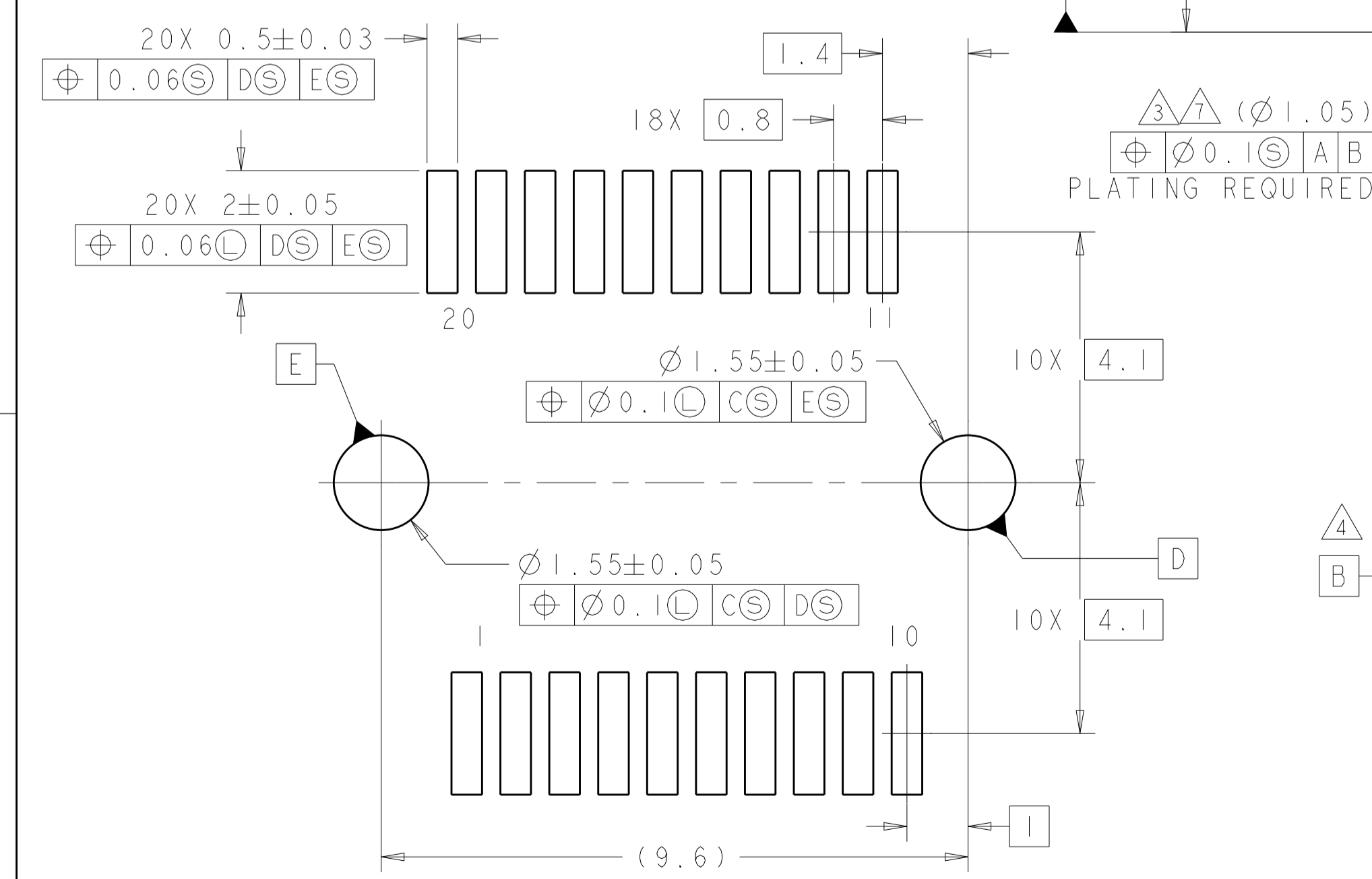
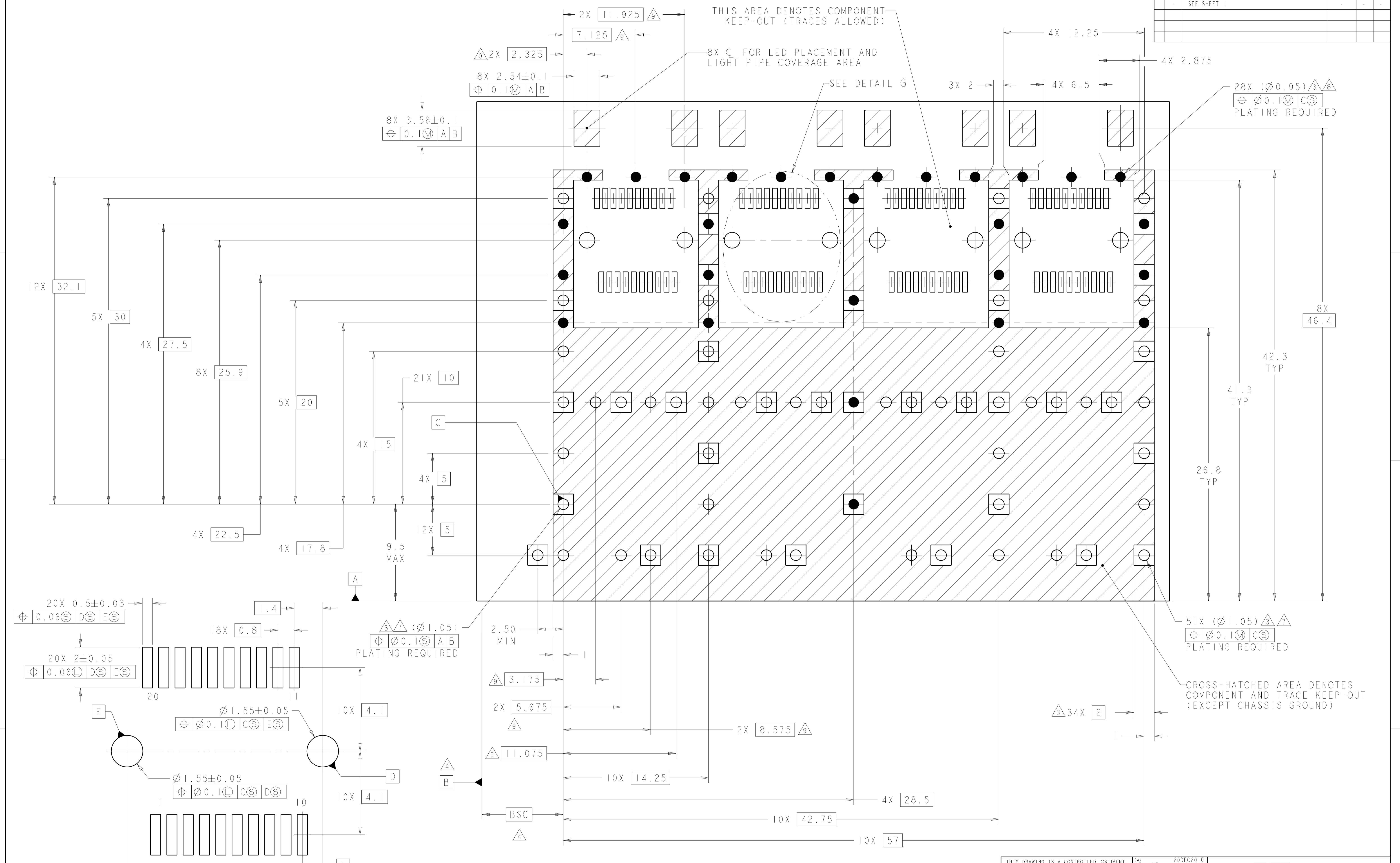
CROSS-HATCHED AREA DENOTES COMPONENT AND TRACE KEEP-OUT (EXCEPT CHASSIS GROUND)

DETAIL F
 RECOMMENDED PT CONNECTOR LAYOUT
 4X INDIVIDUALLY
 SCALE 12:1

RECOMMENDED PCB CONFIGURATION
 WITH KEEP-OUT AREAS
 SINGLE SIDED APPLICATIONS
 SCALE 6:1

THIS DRAWING IS A CONTROLLED DOCUMENT.		OWN: T. XUE Z0DEC2010	TE Connectivity
DIMENSIONS: mm		CHK: C. WANG Z0DEC2010	
TOLERANCES UNLESS OTHERWISE SPECIFIED:		APVD: C. WANG Z0DEC2010	NAME: SFP+ 1X4 CAGE ASSEMBLY PRESS FIT, EXTERNAL EMI SPRINGS WITH ULTRA LOW PROFILE LIGHT PIPES
0 PLC ±0.1		PRODUCT SPEC: 108-2364	
1 PLC ±0.1		APPLICATION SPEC: 114-13120	
2 PLC ±0.1		WEIGHT: -	
MATERIAL: -		FINISH: -	SCALE: 5:1
CUSTOMER DRAWING		SIZE: A1	SHEET: 3 OF 4

LOC		DIST		REVISIONS			
GP	00	P	LTN	DESCRIPTION	DATE	OWN	APVD
		-	-	SEE SHEET 1	-	-	-



DETAIL G
 RECOMMENDED PT CONNECTOR LAYOUT
 8X INDIVIDUALLY
 SCALE 12:1

RECOMMENDED PCB CONFIGURATION
 WITH KEEP-OUT AREAS
 BELLY TO BELLY APPLICATIONS Δ
 SCALE 6:1

THIS DRAWING IS A CONTROLLED DOCUMENT.		OWN T. XUE	Z0DEC2010	TE Connectivity
DIMENSIONS:		CHK C. WANG	Z0DEC2010	
TOLERANCES UNLESS OTHERWISE SPECIFIED:		APVD C. WANG	Z0DEC2010	NAME SFP+ 1X4 CAGE ASSEMBLY
mm		PRODUCT SPEC		108-2364
0 PLC ± 0.1		APPLICATION SPEC		114-13120
1 PLC ± 0.1		WEIGHT		A100779C=2170030
2 PLC ± 0.1		CUSTOMER DRAWING		SCALE 5:1 SHEET 4 OF 4 REV A
3 PLC ± 0.1				
4 PLC ± 0.1				
ANGLES $\pm 1^{\circ}$				

X-ON Electronics

Largest Supplier of Electrical and Electronic Components

Click to view similar products for [I/O Connectors](#) category:

Click to view products by [TE Connectivity](#) manufacturer:

Other Similar products are found below :

[571763P](#) [58098-0628](#) [72.250.1628.2](#) [72.250.2428.2](#) [74720-0505](#) [76.350.0729.0](#) [76871-1403](#) [FCN-244F080-G/1](#) [FCN-260A9920](#) [PCR-E36PM](#) [PCS-XE26MA+](#) [G38A71314B](#) [1571250010](#) [157-22500-3](#) [MS3471L14-19P L/C](#) [172501-4002](#) [172501-6002](#) [FCN-260C008-A/L0](#) [FCN-260C024-AL0](#) [FCN-261Z008](#) [2000314-1](#) [200331-1](#) [PCR-E36FC+](#) [PCS-E28FS+](#) [PCS-XE26SLFD+](#) [PCS-XE26SLFDT+](#) [G730VID08BDC24](#) [U90B2054081210](#) [38113800006](#) [DP3AR020WQ1R200](#) [Z4.102.0680.0](#) [500-1040](#) [500-1052](#) [500-1054](#) [ZP-4008-66L](#) [0709821002](#) [DX40-20P\(55\)](#) [5554841-1](#) [MS3474W18-8P-LC*](#) [U90B3054061110](#) [U65-E04-4020](#) [ZPF000000000097891](#) [747360449](#) [10099439-003C-TRLF](#) [10137239-0021LF](#) [E9320-001-01](#) [10137239-0011LF](#) [70289-001LF](#) [70.060.1028.0](#) [109029-ZZ](#)