

THIS DRAWING IS UNPUBLISHED.

RELEASED FOR PUBLICATION

20

LOC -

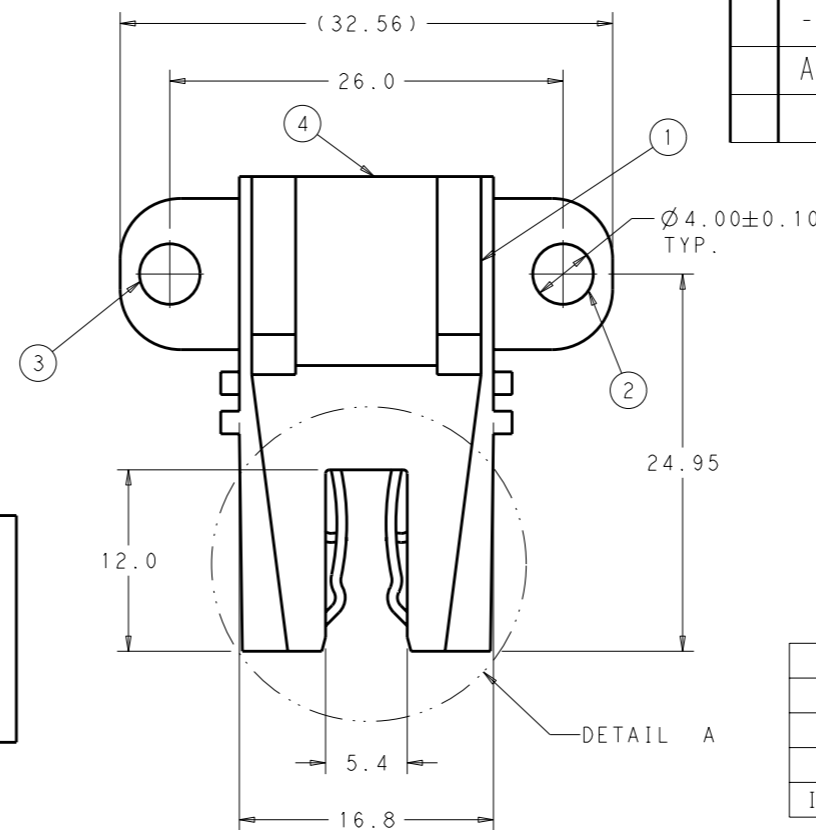
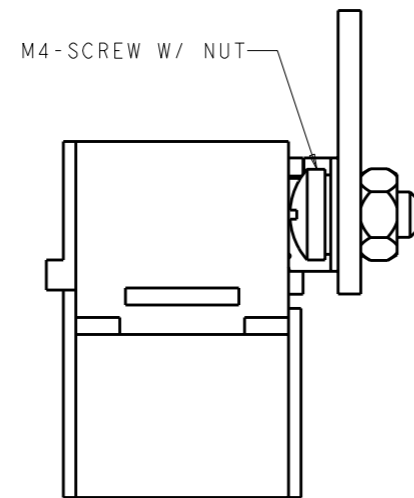
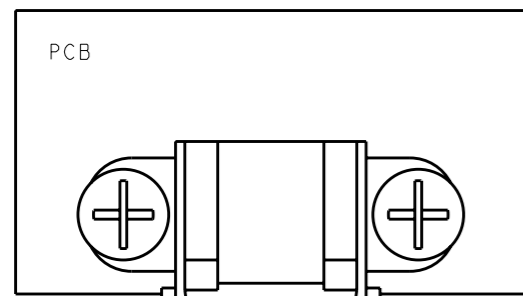
DIST -

REVISIONS

© COPYRIGHT 20

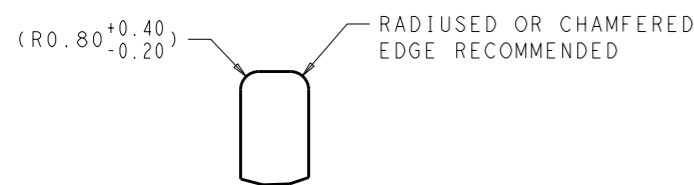
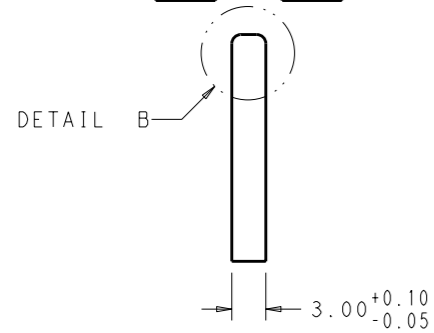
ALL RIGHTS RESERVED.

P	LTR	DESCRIPTION	DATE	DWN	APVD
-	-	-	-	-	-
-	-	-	-	-	-
A		INITIAL RELEASE	15JUN2011	JG	MOW

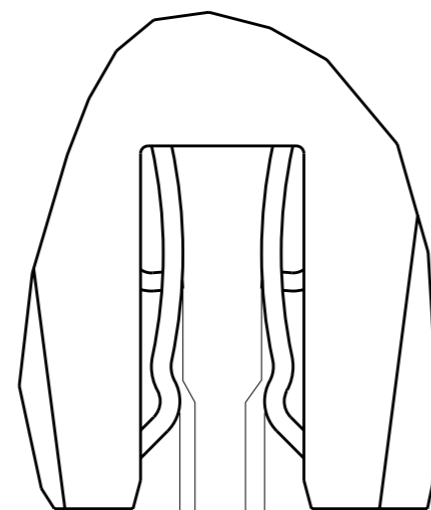


NOTES, UNLESS OTHERWISE SPECIFIED:  
 1. PLATING: 1.25um MIN. NICKEL PLATING OVER ALL, 3.0um MIN. TIN PLATING ON INDICATED AREAS.  
 2. AREA FOR DATE CODE AND P/N.  
 3. PCB, BUSBAR-CONDUCTORS, SCREWS AND NUTS IS FOR REFERENCE ONLY.

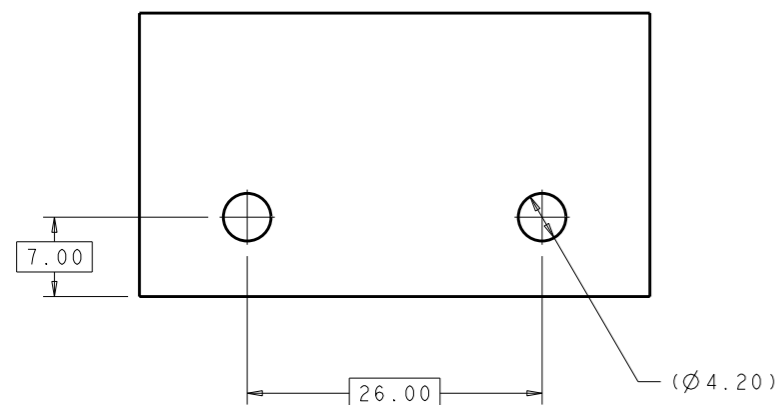
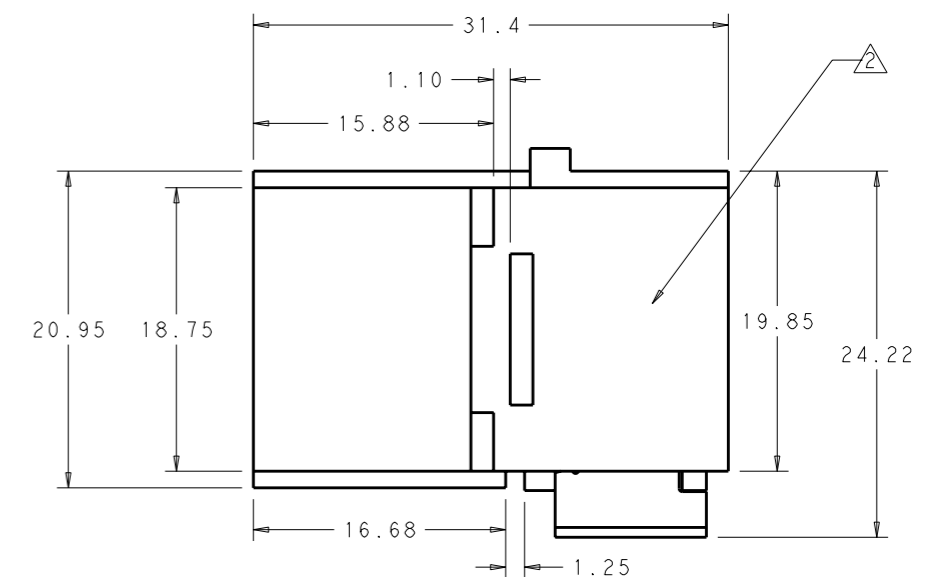
ITEM	DESCRIPTION	MATERIAL	FINISH	P/N
4	CLIP	STAINLESS STEEL	-	2170033-1
3	CONTACT LEFT	COPPER ALLOY	1	
2	CONTACT RIGHT	COPPER ALLOY	1	
1	HOUSING	PBT	BLACK	



DETAIL B SCALE 3:1



DETAIL A SCALE 4:1



RECOMMENDED PCB LAYOUT

THIS DRAWING IS A CONTROLLED DOCUMENT.		DWN JEFF GONG 30-Jan-11	TE Connectivity	
		CHK ALEX SHOAL 30-Jan-11		
		APVD ManQian Wang 30-Jan-11		
		PRODUCT SPEC 108-60093		
APPLICATION SPEC -		NAME Crown Clip Junior Power Screw Mount	RESTRICTED TO -	
MATERIAL -		WEIGHT -	SIZE A300779	CAGE CODE C-2170033
DIMENSIONS: mm		FINISH -		SCALE N/A
TOLERANCES UNLESS OTHERWISE SPECIFIED: 0 PLC ±- 1 PLC ±0.25 2 PLC ±0.15 3 PLC ±0.05 4 PLC ±- ANGLES ±2°		CUSTOMER DRAWING		SHEET 1 OF 1
				REV A

## X-ON Electronics

Largest Supplier of Electrical and Electronic Components

*Click to view similar products for [Heavy Duty Power Connectors](#) category:*

*Click to view products by [TE Connectivity](#) manufacturer:*

Other Similar products are found below :

[647757-1](#) [6643411-1](#) [6646058-2](#) [6646137-1](#) [6646138-1](#) [6646479-1](#) [6646608-1](#) [6646786-1](#) [6646940-1](#) [6651091-1](#) [6651525-1](#) [6651529-1](#)  
[6651788-1](#) [696475-1](#) [702-32-01109](#) [703-25-02205](#) [73000005059](#) [73000005642](#) [73080255059](#) [73080965046](#) [765-15-0080A](#) [765-16-0080B](#)  
[765-18-0080D](#) [829992-1](#) [902-77-02113](#) [PS00/A0620/6300](#) [PS25/A0420/63](#) [129-1J](#) [1409400](#) [AN0024023](#) [E6374G1](#) [e6389g2](#) [157-43GW8](#)  
[MS3117-14AC](#) [1643543-1](#) [1650540-1](#) [1651811-2](#) [1766260-1](#) [1766282-1](#) [1766966-1](#) [1791340000](#) [NLDFT-3-BL-L-S120-M40A](#) [NLDFT-N-](#)  
[W-L-C240-M40B](#) [NLS-2-R-C240-M40B](#) [NLS-N-W-C240-M40B](#) [NPS-3-BL-T6](#) [1986615-1](#) [2-1589900-8](#) [2199314-1](#) [KA8102](#)