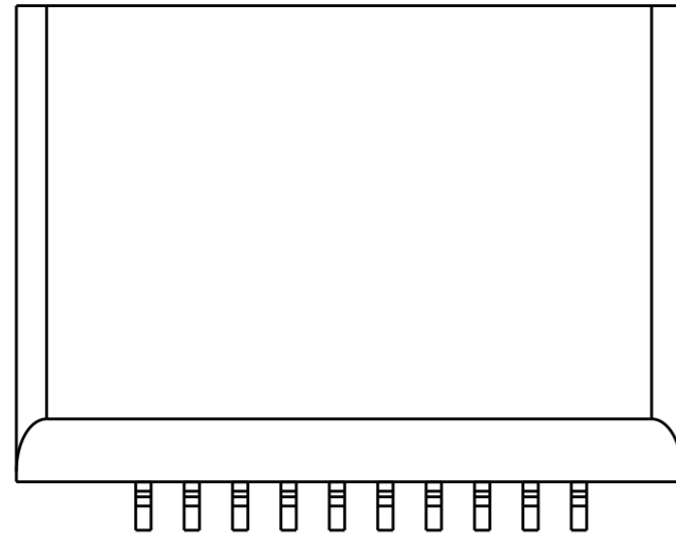


THIS DRAWING IS UNPUBLISHED. RELEASED FOR PUBLICATION 20
 © COPYRIGHT 20 BY - ALL RIGHTS RESERVED.

LOC		DIST		REVISIONS			
P	LTR	DESCRIPTION	DATE	DWN	APVD		
-	-	A	RELEASED	21NOV2013	JW	SH	

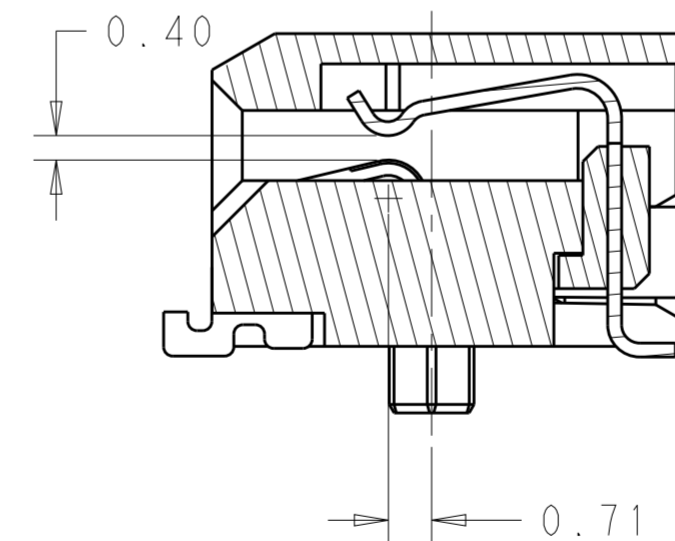
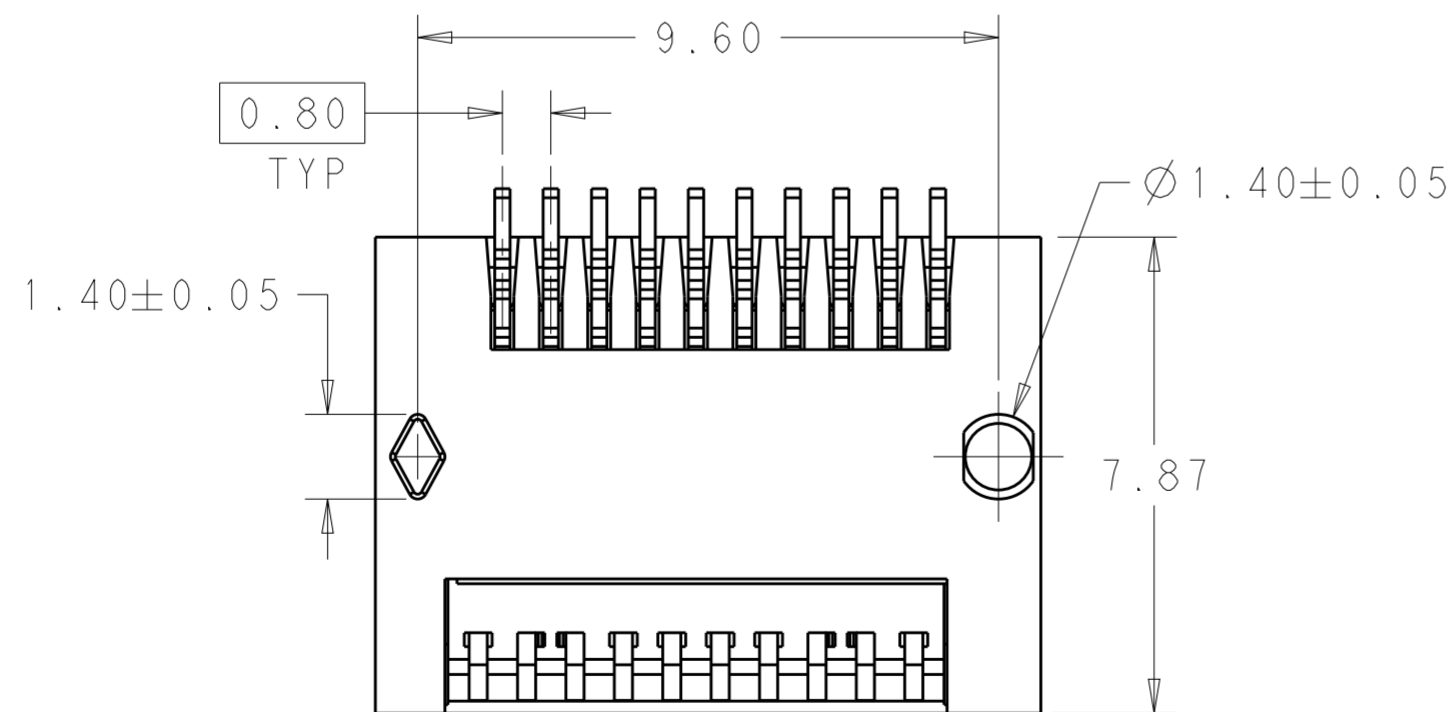
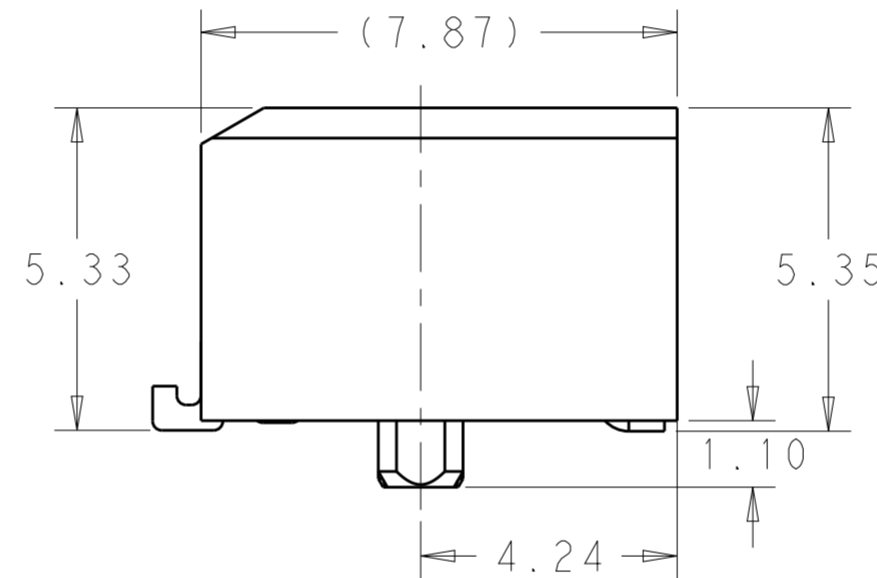
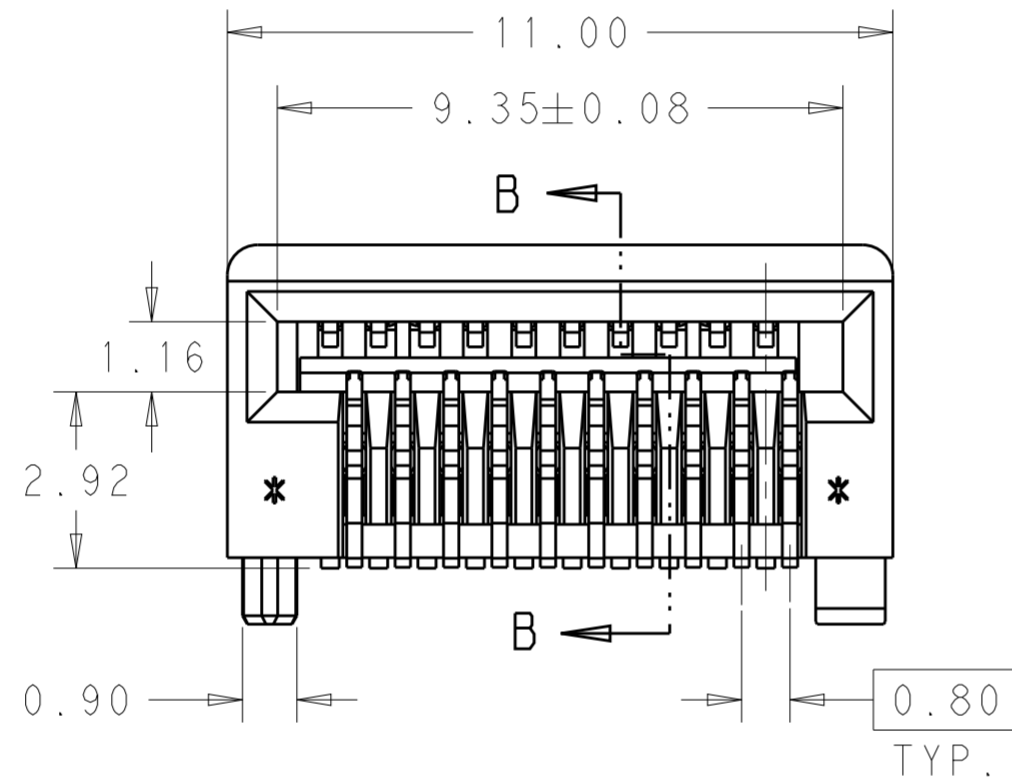
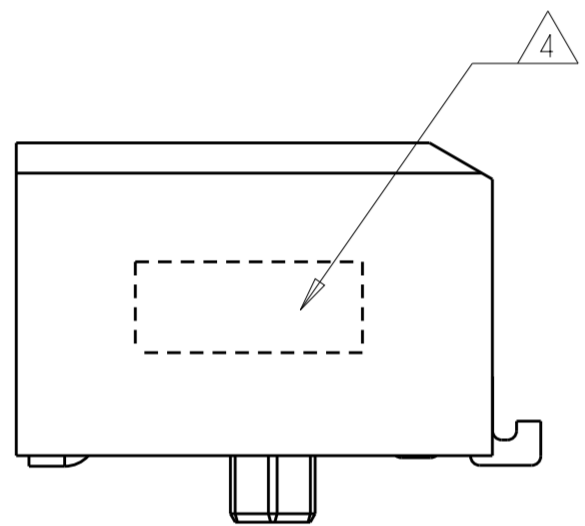


1 MATERIAL :
 CONTACT: COPPER ALLOY
 HOUSING: THERMOPLASTIC

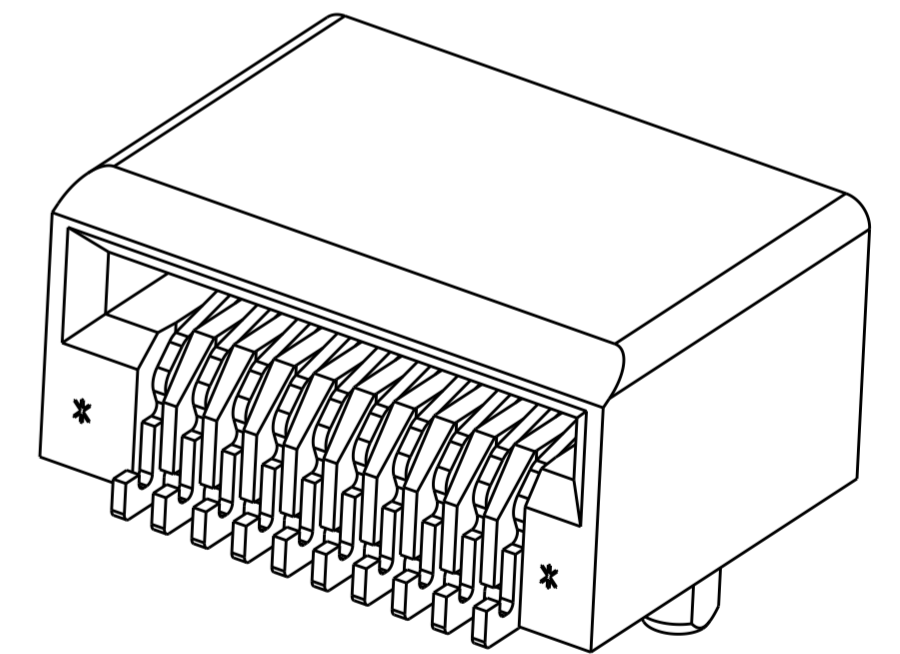
2 FINISH :
 CONTACT AREA: GOLD FLASH OVER PALLADIUM-NICKEL
 OR GOLD PLATING, 0.76um MIN TOTAL
 SOLDER AREA: GOLD FLASH
 UNDERPLATING: 2.54um MIN NICKEL OVER ALL

3 FINISH :
 CONTACT AREA: GOLD FLASH OVER PALLADIUM-NICKEL
 OR GOLD PLATING, 0.38um MIN TOTAL
 SOLDER AREA: GOLD FLASH
 UNDERPLATING: 2.54um MIN NICKEL OVER ALL

4 PART NUMBER AND DATE CODE APPROXIMATELY
 MARKED IN THIS AREA.



SECTION B-B

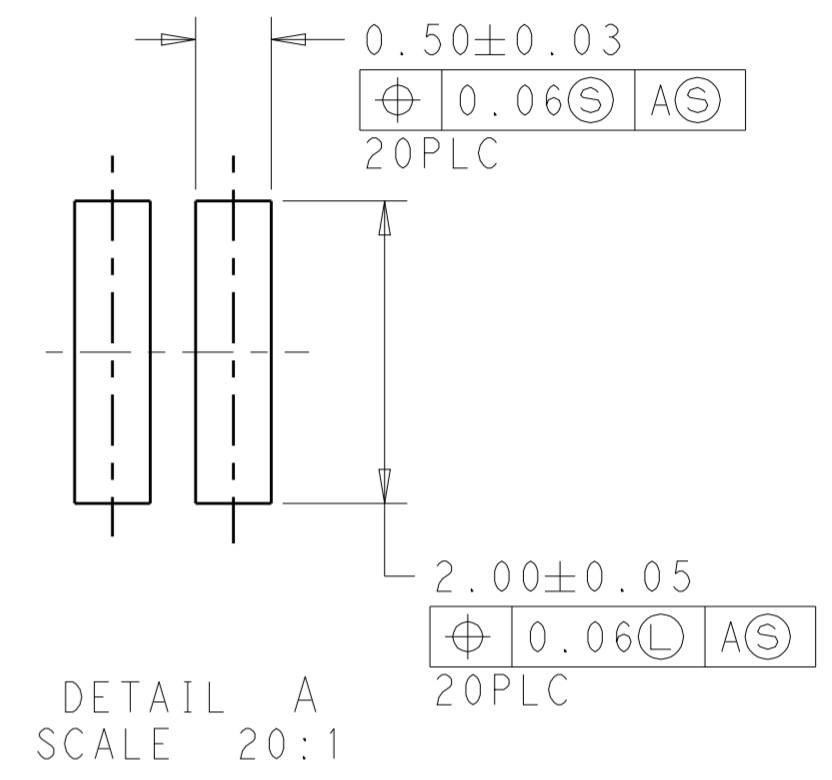
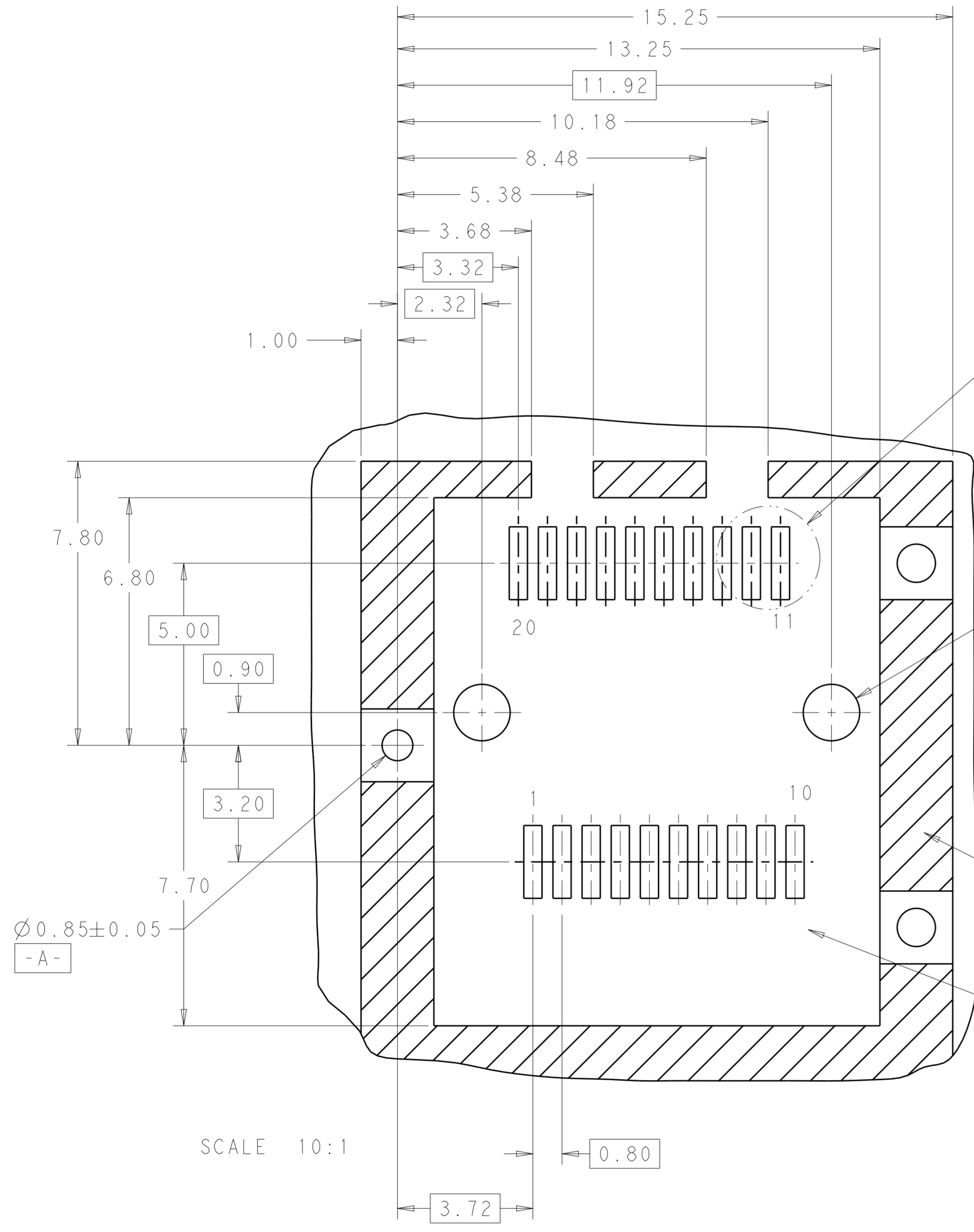


1	2170088-2
2	2170088-1
FINISH	TE PART NO.

THIS DRAWING IS A CONTROLLED DOCUMENT.		DWN ALEX SHOAL 28MAR2011	2170088-2	
DIMENSIONS: mm		CHK MANQIAN WANG 28MAR2011	2170088-1	
TOLERANCES UNLESS OTHERWISE SPECIFIED: 0 PLC ± 1 PLC ±0.25 2 PLC ±0.13 3 PLC ± 4 PLC ± ANGLES ± FINISH		APVD MANQIAN WANG 28MAR2011	2170088-2	
MATERIAL		PRODUCT SPEC 108-60099	NAME ASSEMBLY DRAWING SMT, 20POS, ZSFP+	
1		APPLICATION SPEC 114-13120	SIZE A2	CAGE CODE 00779
2 3		WEIGHT -	DRAWING NO C-2170088	RESTRICTED TO -
Customer Drawing		SCALE 8:1	SHEET 1	OF 2
			REV A	

THIS DRAWING IS UNPUBLISHED. RELEASED FOR PUBLICATION 20
 © COPYRIGHT 20 BY - ALL RIGHTS RESERVED.

LOC		DIST		REVISIONS			
P	LTR	DESCRIPTION	DATE	DWN	APVD		
-	-	SEE SHEET 1	-	-	-		



THIS DRAWING IS A CONTROLLED DOCUMENT.		DWN 28MAR2011 ALEX SHOAL	TE Connectivity	
DIMENSIONS: mm		CHK 28MAR2011 MANQIAN WANG		
TOLERANCES UNLESS OTHERWISE SPECIFIED:		APVD 28MAR2011 MANQIAN WANG	NAME ASSEMBLY DRAWING SMT, 20POS, ZSFP+	
0 PLC ± 1 PLC ±0.25 2 PLC ±0.13 3 PLC ± 4 PLC ± ANGLES ± FINISH ±		PRODUCT SPEC 108-60099	RESTRICTED TO	
MATERIAL		APPLICATION SPEC 114-13120	SIZE A200779	DRAWING NO C-2170088
		WEIGHT	SCALE 8:1 SHEET 2 OF 2 REV A	
		Customer Drawing		

X-ON Electronics

Largest Supplier of Electrical and Electronic Components

Click to view similar products for [I/O Connectors](#) category:

Click to view products by [TE Connectivity](#) manufacturer:

Other Similar products are found below :

[571763P](#) [72.250.1628.2](#) [72.250.2428.2](#) [74720-0505](#) [76.350.0729.0](#) [76871-1403](#) [FCN-244F080-G/1](#) [FCN-260A9920](#) [MP-5T180MUNNA-005](#)
[PCR-E36PM](#) [PCS-XE26MA+](#) [G38A71314B](#) [1571250010](#) [157-22500-3](#) [MS3471L14-19P L/C](#) [91-569786-35H](#) [172501-4002](#) [172501-6002](#)
[FCN-260C008-A/L0](#) [FCN-260C024-AL0](#) [FCN-261Z008](#) [2000314-1](#) [200331-1](#) [PCR-E36FC+](#) [PCS-E28FS+](#) [PCS-XE26SLFD+](#) [PCS-](#)
[XE26SLFDT+](#) [G730VID08BDC24](#) [HDMR-29-01-S-SM-TR](#) [U90B2054081210](#) [UE86K842720321](#) [38113800006](#) [DP3AR020WQ1R200](#)
[Z4.102.0680.0](#) [500-1040](#) [500-1052](#) [500-1054](#) [ZP-4008-66L](#) [0709821002](#) [10-565995-597N](#) [DX40-20P\(55\)](#) [5554841-1](#) [U90B3054061110](#)
[U65-E04-4020](#) [ZPF000000000097891](#) [557-262M2-06C](#) [747360449](#) [10099439-003C-TRLF](#) [10137239-0021LF](#) [E9320-001-01](#)