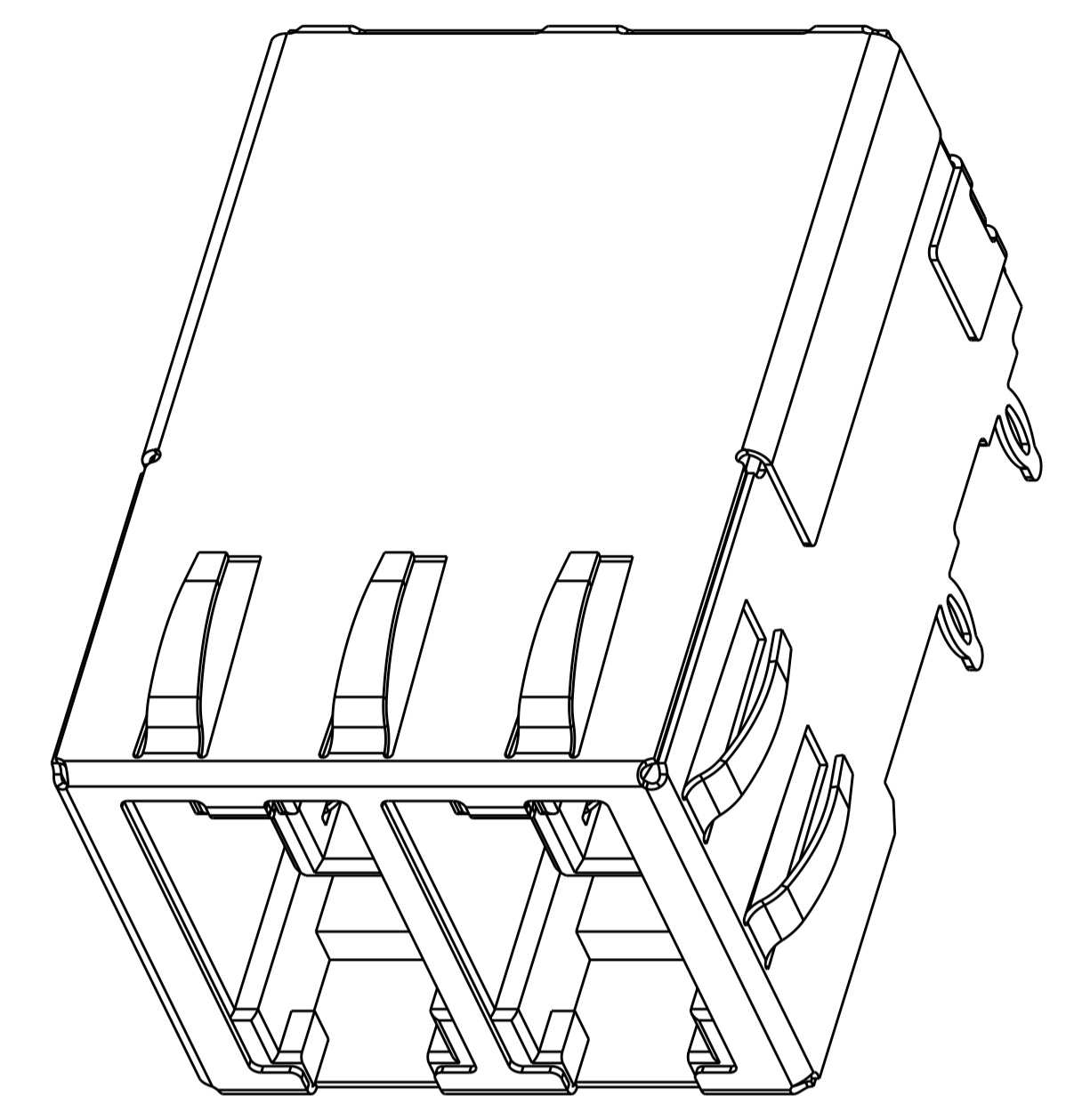
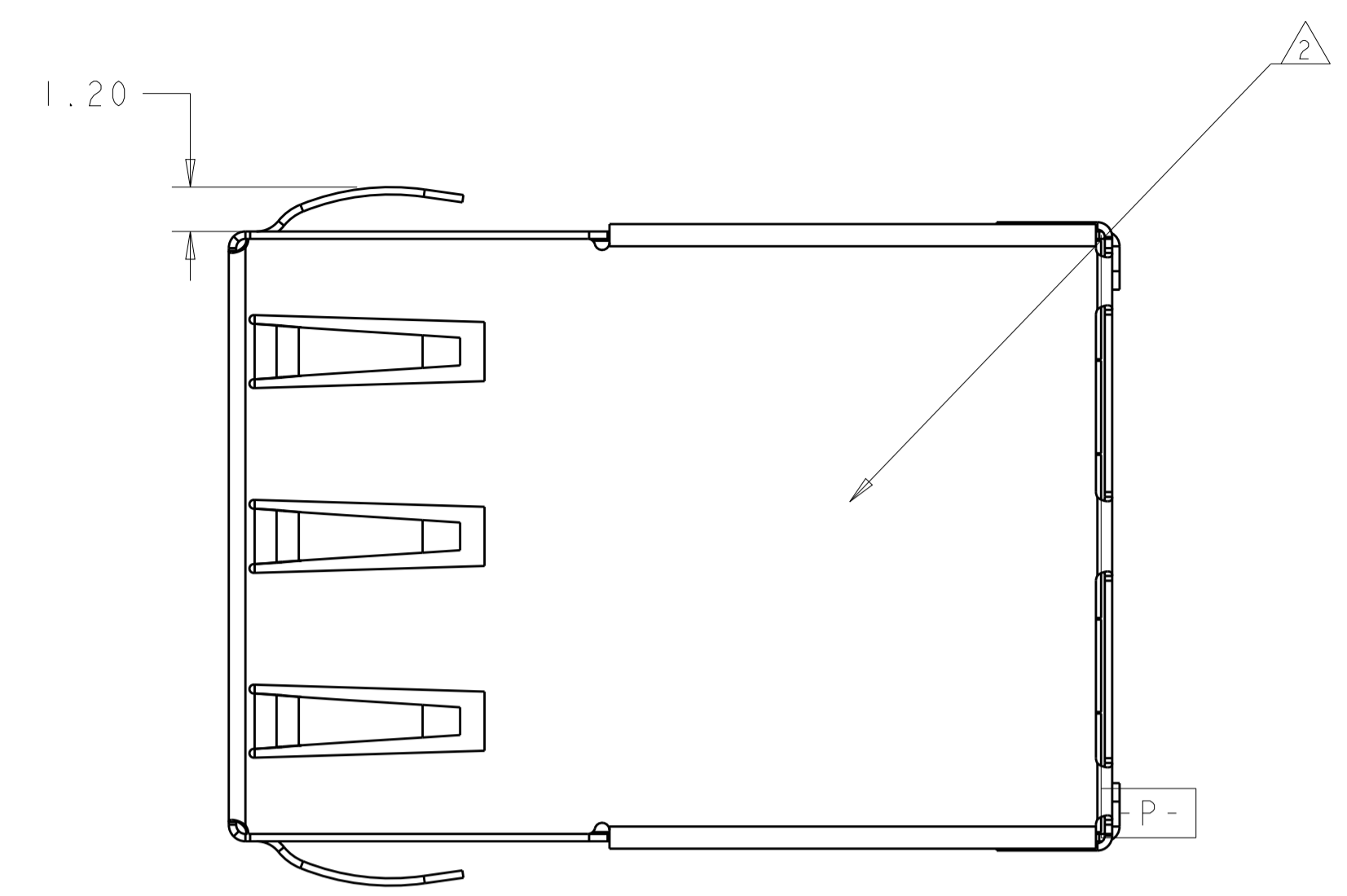
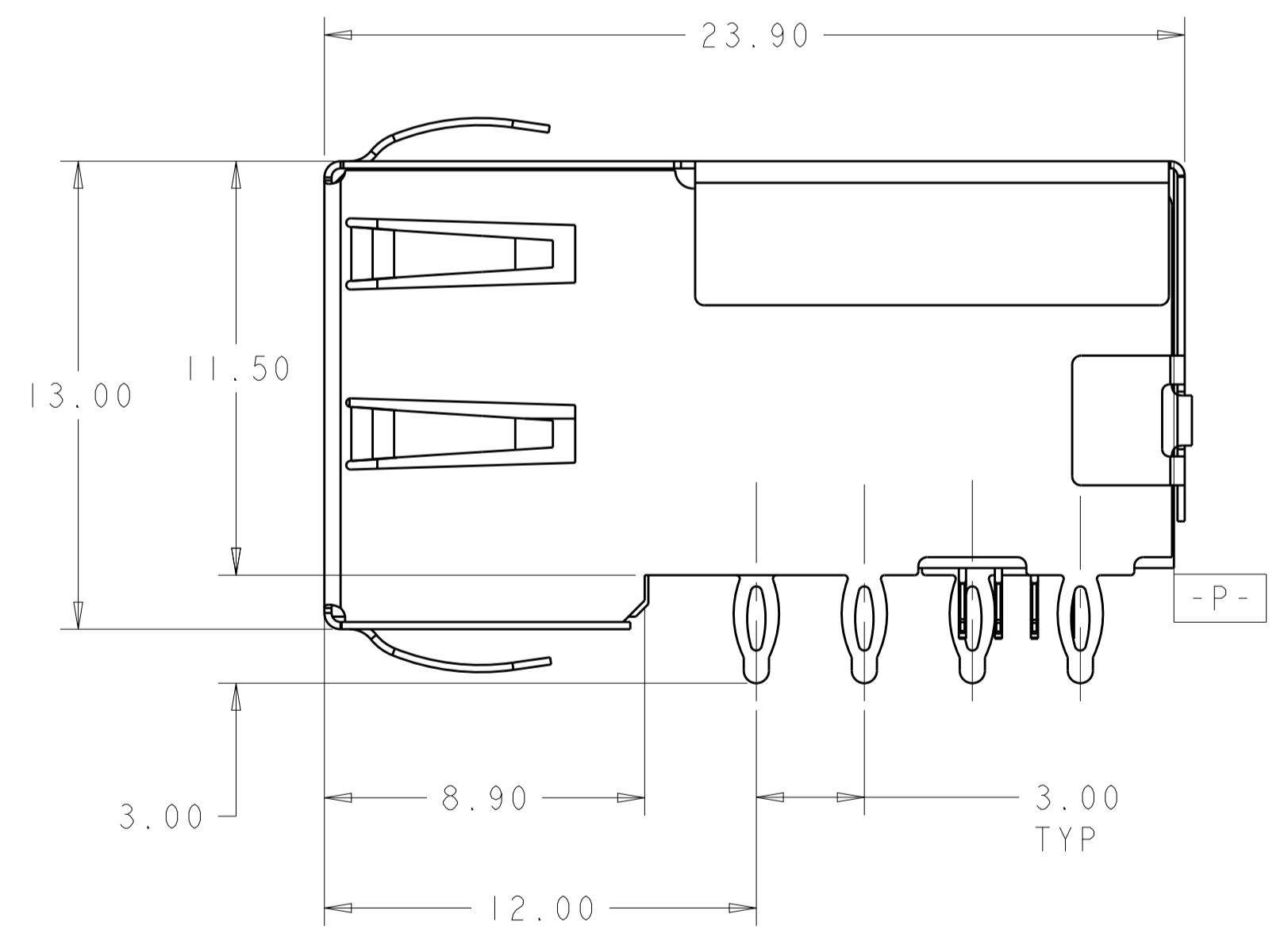
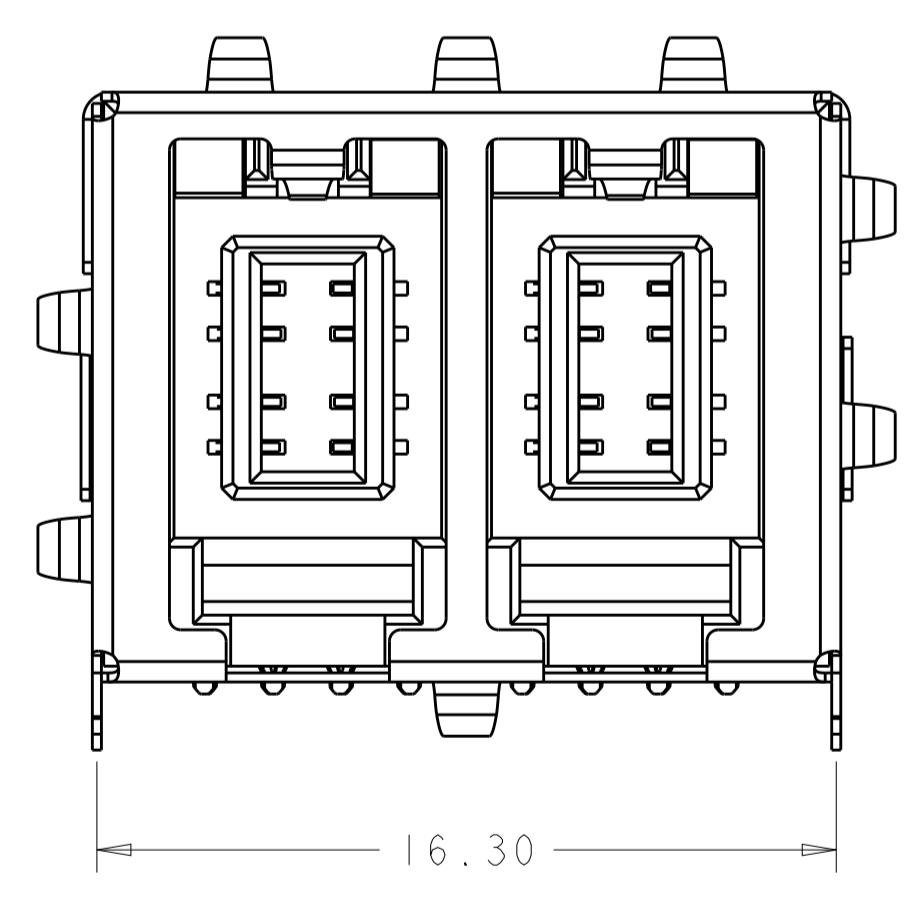


LOC		DIST		REVISIONS			
P	LTN	DESCRIPTION	DATE	DWN	APVD		
A		ECR-11-018212	26MAR2012	DZ	AC		
B			18JUN2013	CW	SH		

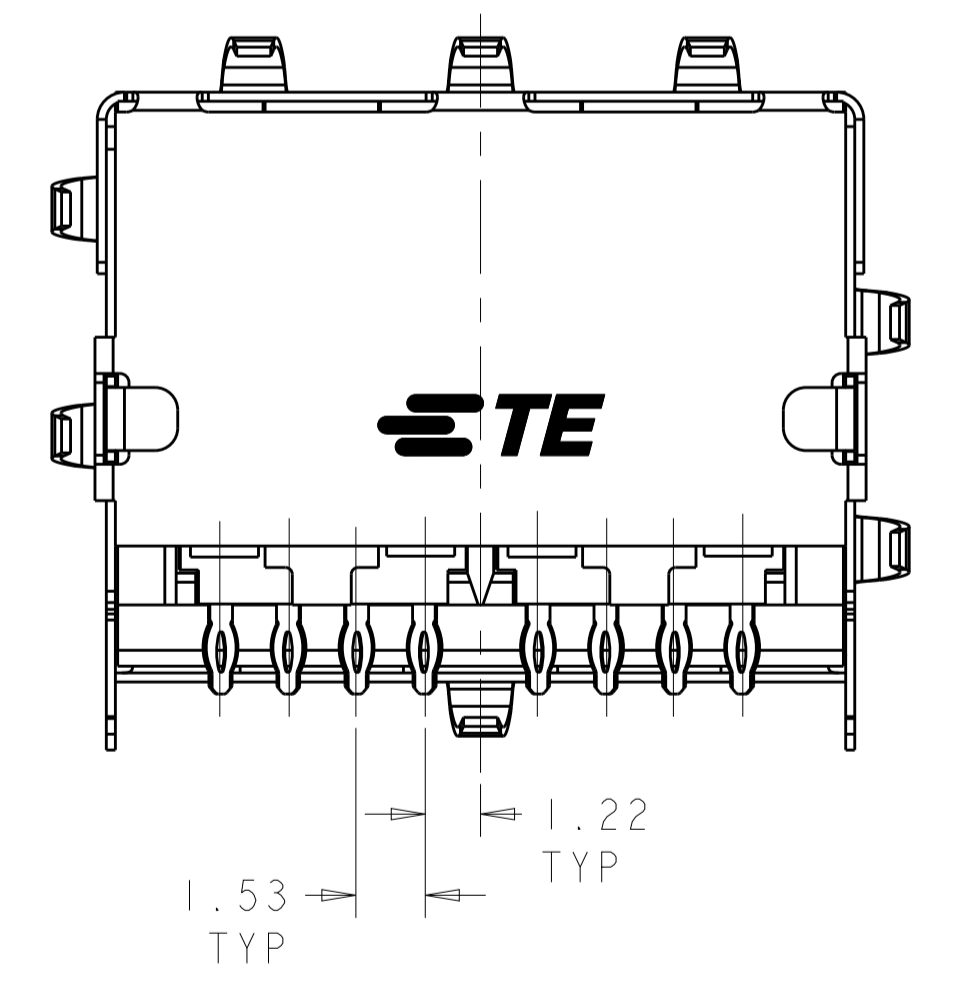
1. MATERIAL:  
 HOUSING: BLACK, THERMOPLASTIC, RATED UL 94V-0.  
 SHIELD: COPPER ALLOY WITH NICKEL PLATING.  
 CONTACTS: PHOSPHER BRONZE.  
 CONTACT PLATING: 0.05um MIN GOLD OVER  
 0.76um MIN PALLADIUM-NICKEL, AT MATING  
 INTERFACE CONTACT AREA.
2. DATE CODE SHOWN APPROXIMATE AREA.
3. LIGHT PIPE MATERIAL: CLEAR POLYCARBONATE
4. RECOMMENDED MIN PCB THICKNESS 1.5mm (.062").
5. DATUM AND BASIC DIMENSION ESTABLISHED BY CUSTOMER
6. FOR HOLE SIZE AND PLATINGS, SEE SHEET 3.
7. ISOLATION VOLTAGE: 2250VDC(MAX) FOR 60 SECONDS WITH  
 A RISE TIME OF 500V/SEC.
8. RECOMMENDED SMT LED MANUFACTURERS AND PN:  
 EVERLIGHT P/N: 18-225/R6G6C-A01/3T OR  
 PARALIGHT P/N: L-C185KFKGWT



SCALE 6:1



SCALE 6:1



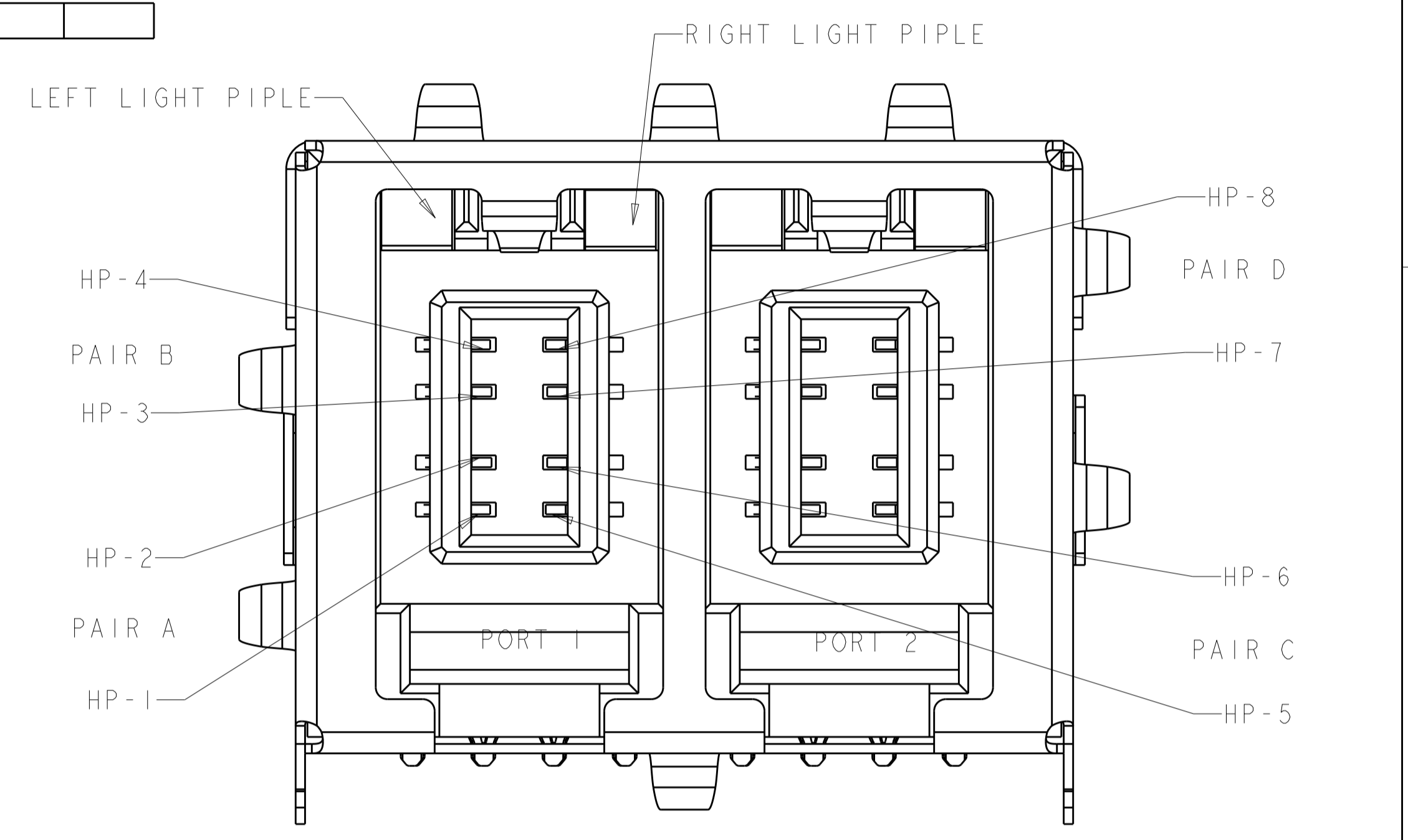
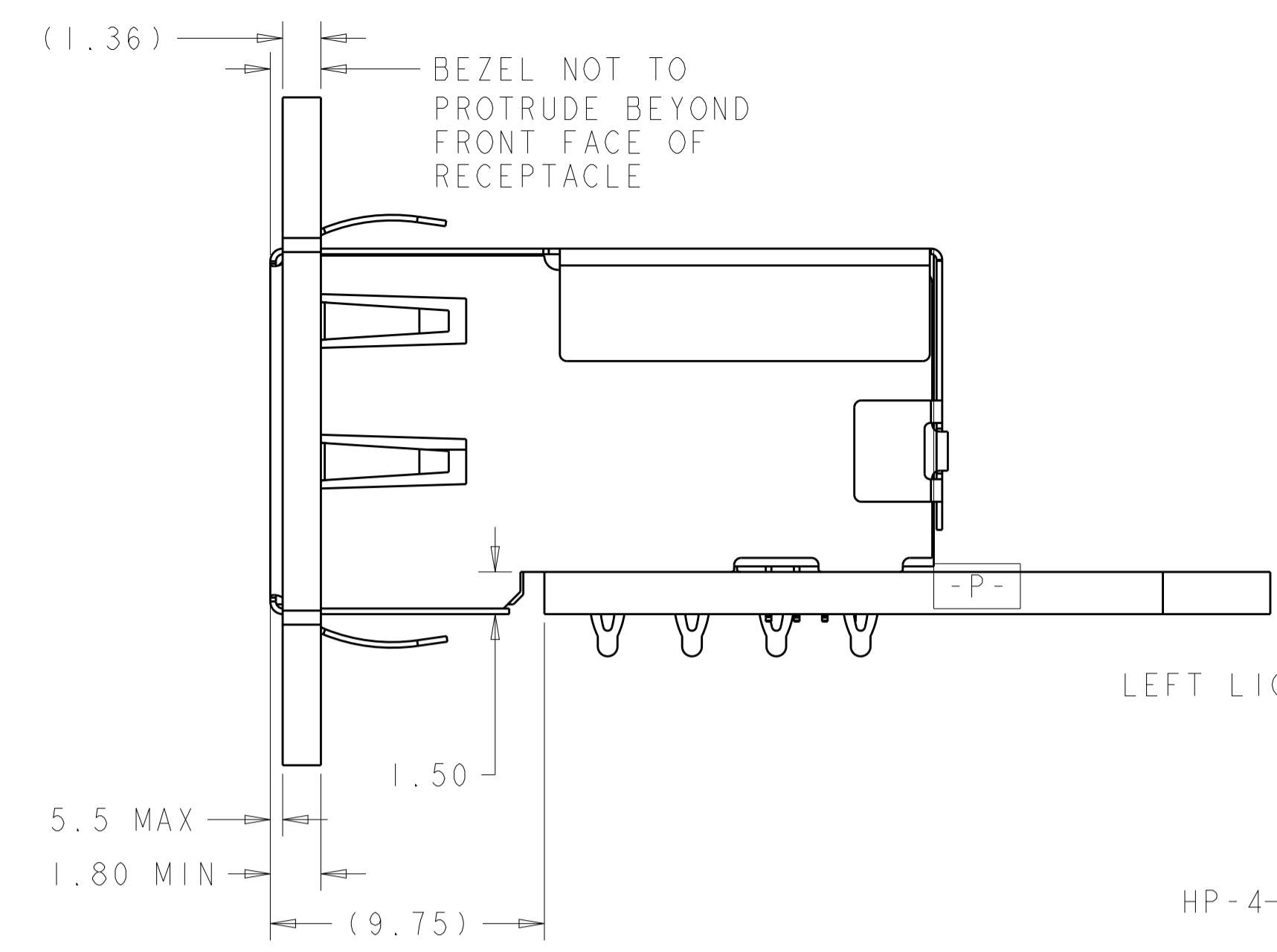
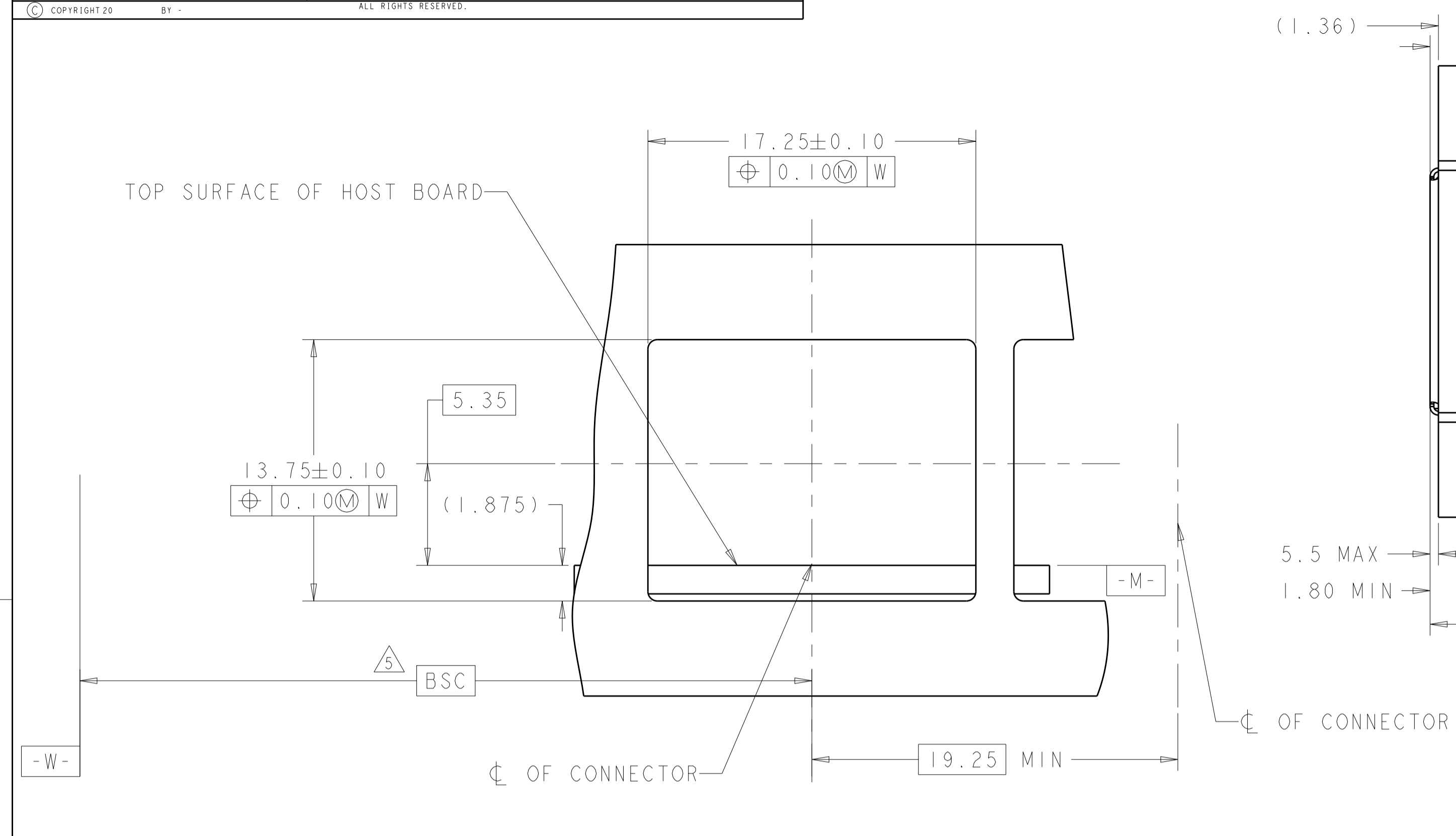
2170129-1 P/N

THIS DRAWING IS A CONTROLLED DOCUMENT.		DWN D. ZHU 15MAY2011	2170129-1	P/N
DIMENSIONS:		CHK MANOJIAN.W 15MAY2011	TE Connectivity RECEPTACLE ASSEMBLY 1X2 OFFSET, NON MAGNETICS RJ POINT FIVE	
TOLERANCES UNLESS OTHERWISE SPECIFIED:		APVD MANOJIAN.W 15MAY2011		
mm	0 PLC ±	PRODUCT SPEC	SIZE CAGE CODE DRAWING NO RESTRICTED TO A100779C=2170129 Customer Drawing SCALE 1:1 SHEET 1 OF 3 REV B	
	1 PLC ±0.25	108-60097		
	2 PLC ±	APPLICATION SPEC		
	3 PLC ±	114-60014		
	4 PLC ±	WEIGHT		
	ANGLES ±			
	FINISH			

LOC	DIST	REV	DATE	BY	APPV
AG	00				

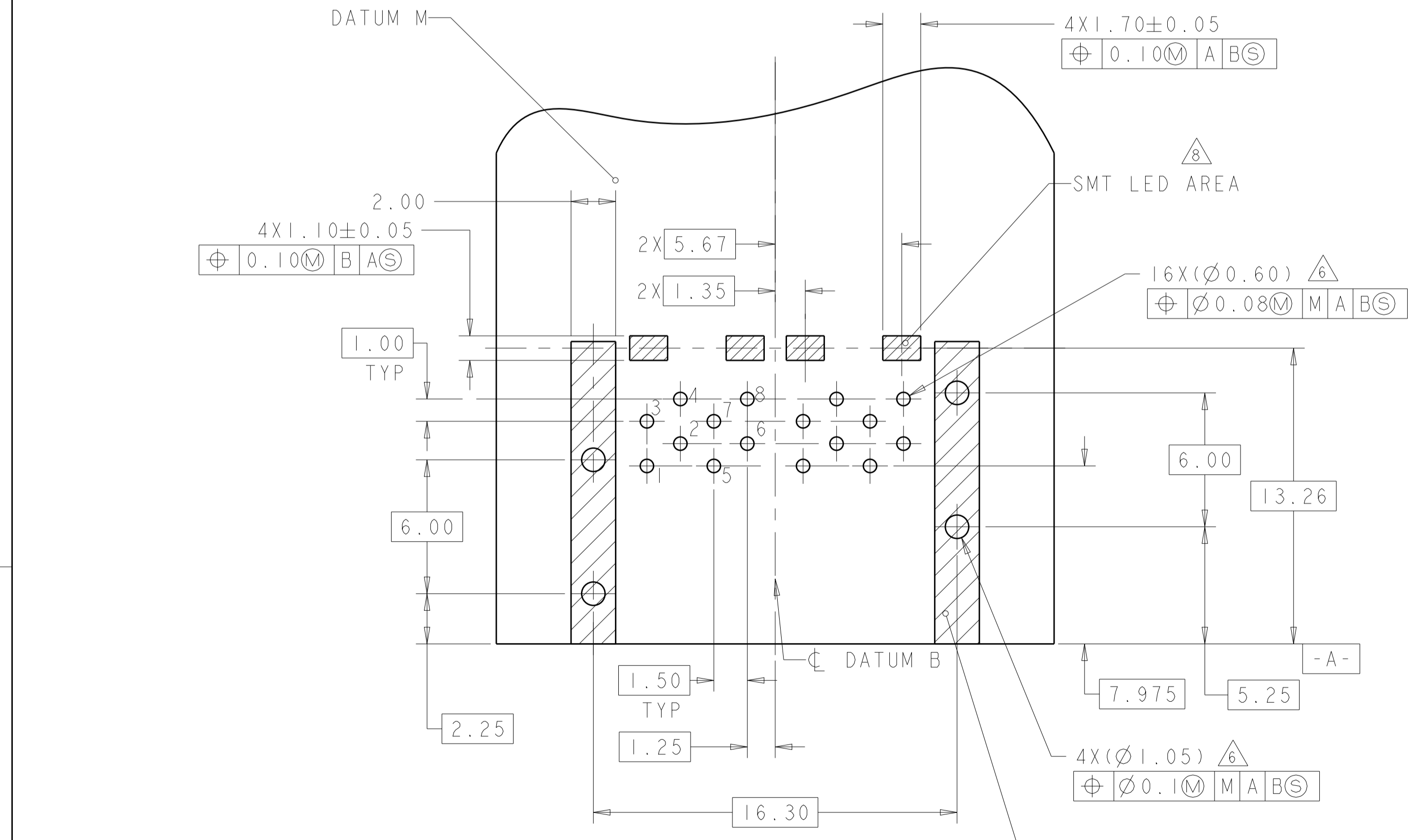
  

REVISIONS			
NO.	DESCRIPTION	DATE	BY
1	SEE SHEET 1		



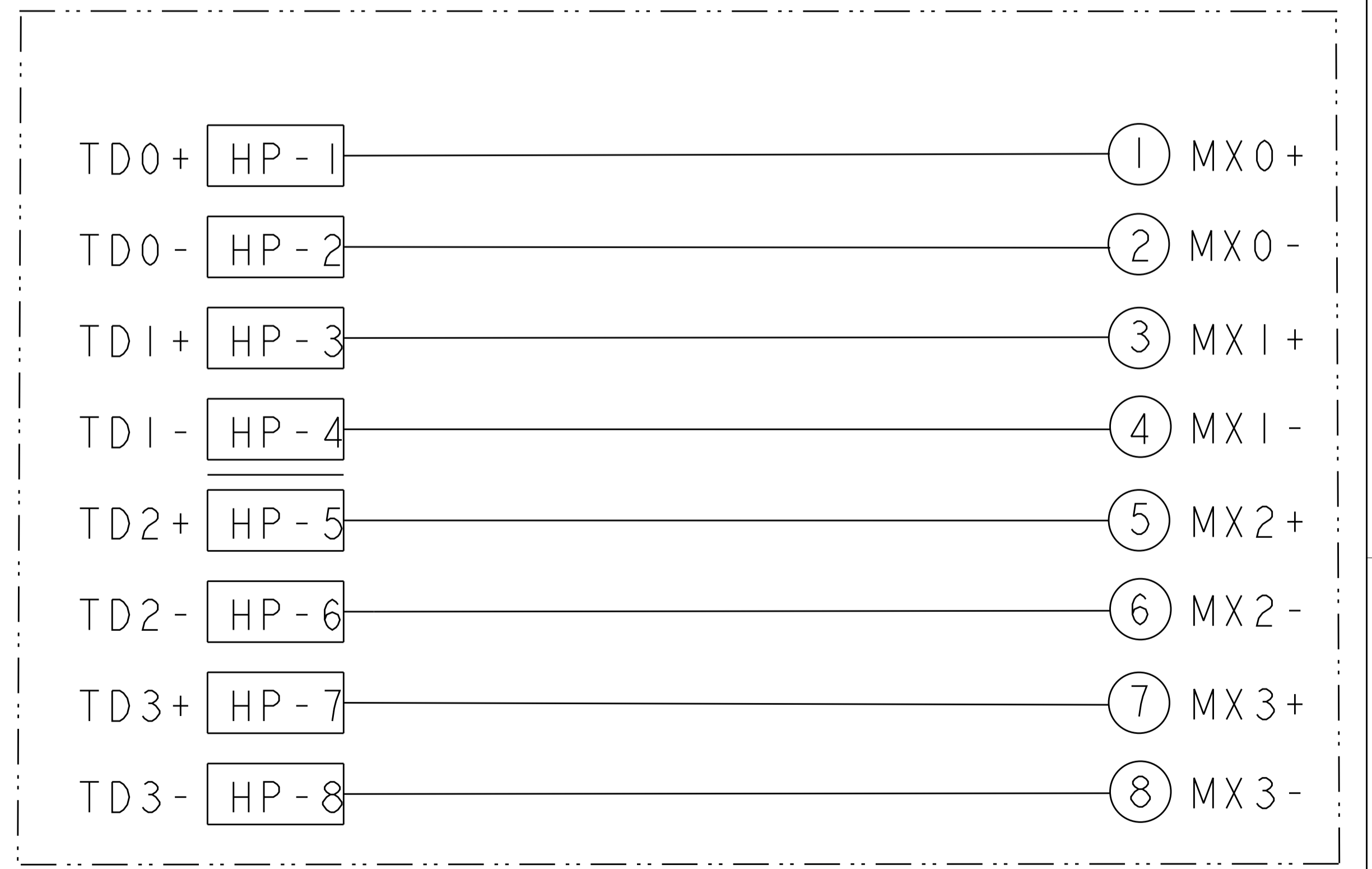
RECOMMENDED PANEL CUTOUT  
 SCALE 5:1

SCALE 10:1



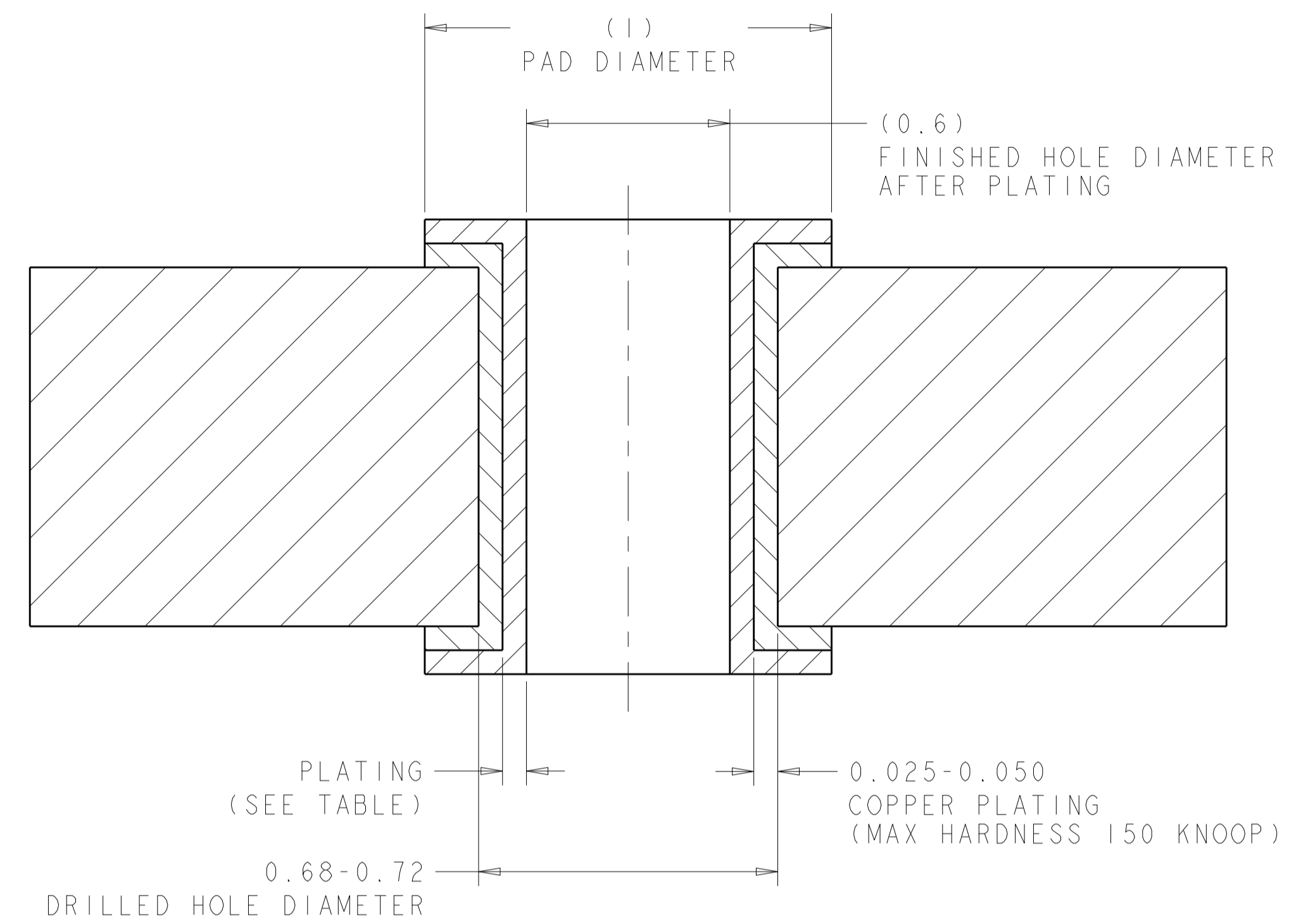
CROSS-HATCHED AREA DENOTES COMPONENT AND TRACE KEEP-OUT (EXCEPT CHASSIS GROUND)

RECOMMENDED PCB LAYOUT VIEWED FROM COMPONENT SIDE  
 SCALE 6:1

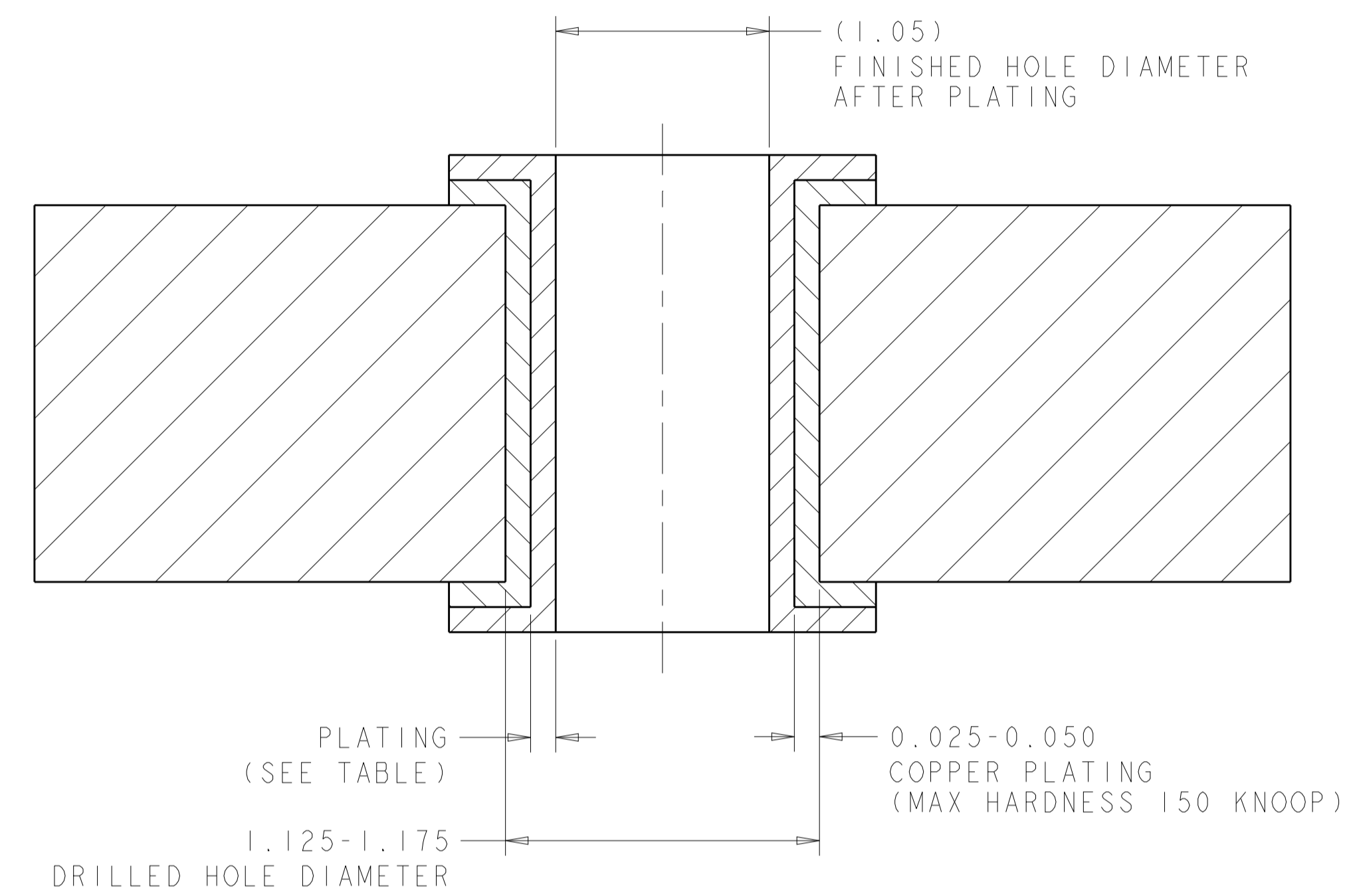


THIS DRAWING IS A CONTROLLED DOCUMENT.		OWN: D_ZHU 15MAY2011	TE Connectivity RECEPTACLE ASSEMBLY 1X2 OFFSET, NON MAGNETICS RJ POINT FIVE
DIMENSIONS: mm		CHK: MANOJAN.W 15MAY2011	
TOLERANCES UNLESS OTHERWISE SPECIFIED:		APPV: MANOJAN.W 15MAY2011	
0 PLC ± 1 PLC ±0.25 2 PLC ± 3 PLC ± 4 PLC ± ANGLES ±2°		NAME: PRODUCT SPEC	
MATERIAL		108-60097	SIZE: CAGE CODE DRAWING NO
FINISH		APPLICATION SPEC	RESTRICTED TO
		114-60014	A100779C=2170129
		WEIGHT	SCALE 1:1 SHEET 2 OF 3 REV B
		Customer Drawing	

LOC		DIST		REVISIONS			
P	LTN	DESCRIPTION	DATE	DMN	APVD		
-	-	SEE SHEET 1	-	-	-		



**RECOMMENDED HOLE DIMENSIONS  
FOR SIGNAL CONTACTS**



**RECOMMENDED HOLE DIMENSIONS  
FOR SHIELD PINS**

THICKNESS	PLATING
0.004-0.010	HOT AIR SOLDER LEVELING (HASL) TIN-LEAD (Sn Pb)
0.0005-0.001	IMMERSION TIN (Sn)
0.0002-0.0005	ORGANIC SOLDERABILITY PRESERVATIVE (OSP)
0.0001-0.0005 Au, 0.004-0.0076 Ni	IMMERSION GOLD (Au) OVER NICKEL (Ni) (ENIG)
0.010-0.025	TIN LEAD PLATING (Sn Pb)
0.0001-0.00015	IMMERSION SILVER (Ag)

THIS DRAWING IS A CONTROLLED DOCUMENT.

DMN: D\_ZHU 15MAY2011  
 CHK: MANOJAN.W 15MAY2011  
 APVD: MANOJAN.W 15MAY2011

**STE** TE Connectivity

NAME: RECEPTACLE ASSEMBLY 1X2 OFFSET, NON MAGNETICS RJ POINT FIVE

PRODUCT SPEC: 108-60097  
 APPLICATION SPEC: 114-60014

SIZE: A1  
 CAGE CODE: 00779  
 DRAWING NO: 2170129

RESTRICTED TO: -

Customer Drawing SCALE: 4:1 SHEET: 3 OF 3 REV: B

DIMENSIONS: mm  
 TOLERANCES UNLESS OTHERWISE SPECIFIED:  
 0 PLC ±  
 1 PLC ±0.25  
 2 PLC ±  
 3 PLC ±  
 4 PLC ±  
 ANGLES ±2°

MATERIAL:

FINISH:

## X-ON Electronics

Largest Supplier of Electrical and Electronic Components

*Click to view similar products for [Modular Connectors / Ethernet Connectors](#) category:*

*Click to view products by [TE Connectivity](#) manufacturer:*

Other Similar products are found below :

[8949-H88/06BLKA/SN](#) [74441-0010/BKN](#) [MP1010RX-1000](#) [MP44RX-1000](#) [PHJ-4P4C-1-V-4](#) [PHP-6P6C-5](#) [GAX-3-66](#) [GAX-8-62](#) [GDCX-PA-66-50](#) [GDCX-PN-64](#) [GDCX-PN-66](#) [GDCX-PN-66-50](#) [GDLX-A-66](#) [GDLX-N-66](#) [GDLX-S-66](#) [GDLX-S-88K](#) [GDTX-S-88-50](#) [GDX-PA-1010](#) [GLX-N-1010M-BLK](#) [GLX-S-88M-BLK](#) [GMX-N-1010](#) [GMX-S-1010](#) [GMX-S-66](#) [GMX-SMT4-N-88](#) [GPX-2-64](#) [GSGX-N-2-88](#) [GSGX-N-4-88](#) [GSX-NS2-88-3.05](#) [GSX-NS2-88-3.05-50](#) [GSX-NS-88-3.05-50](#) [PT-108A-8C-UL](#) [PT-J951-8C](#) [PTS-J531-8CS-50UL](#) [1-1775629-2](#) [A-2014-0-4](#) [GWLX-S-88-GR](#) [GWLX-S9-88-YG](#) [DC-1021-8-WH-6](#) [1300530003](#) [1324640-4](#) [RJ11FTVC2G](#) [RJ11FTVC2N](#) [RJFTVX2SA1G](#) [132764-001](#) [1413235](#) [MP88X-1000](#) [MPS88RX-5000](#) [E5288-S000K3-L](#) [E5908-15A242-L](#) [155302-001](#)