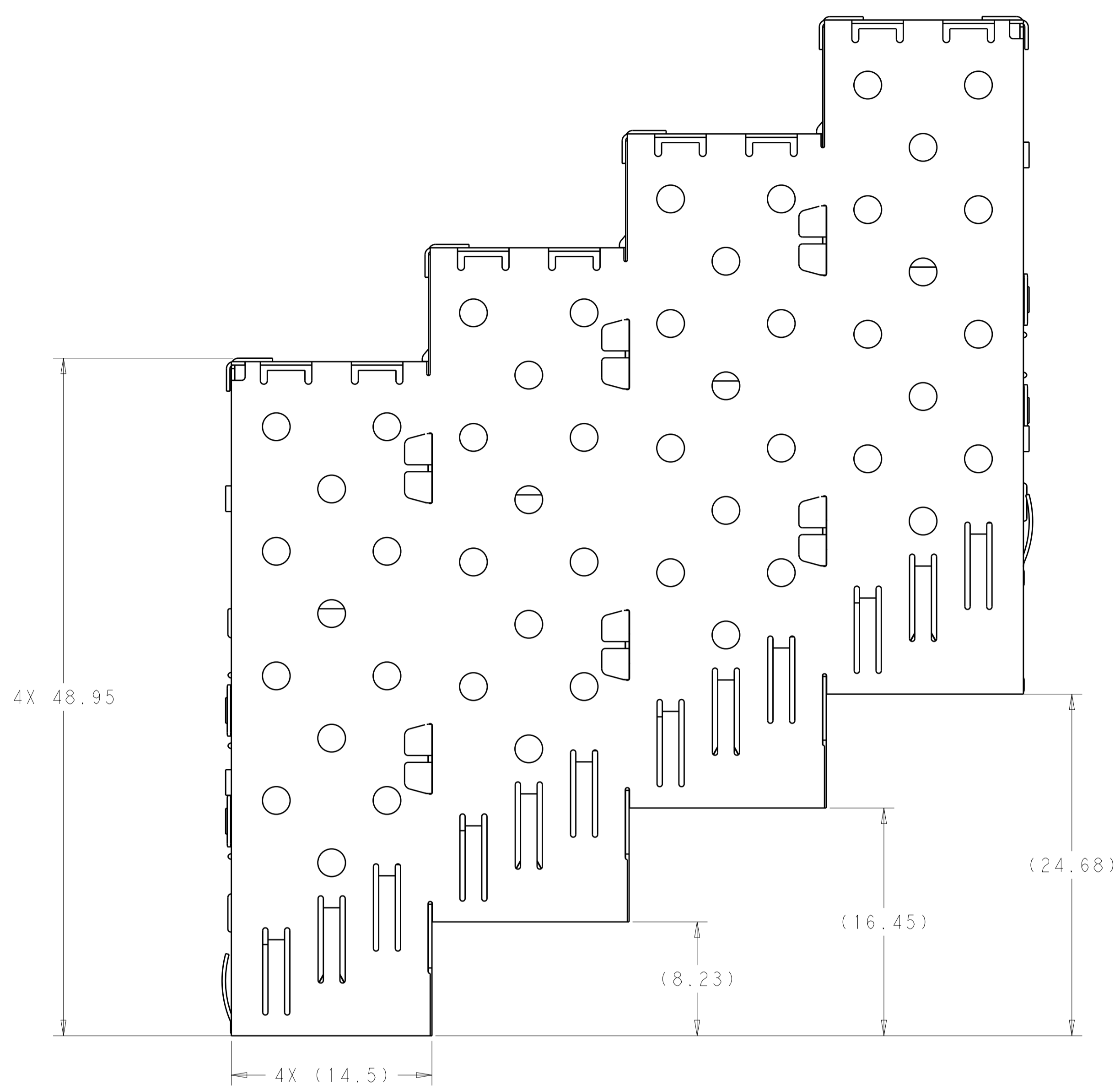
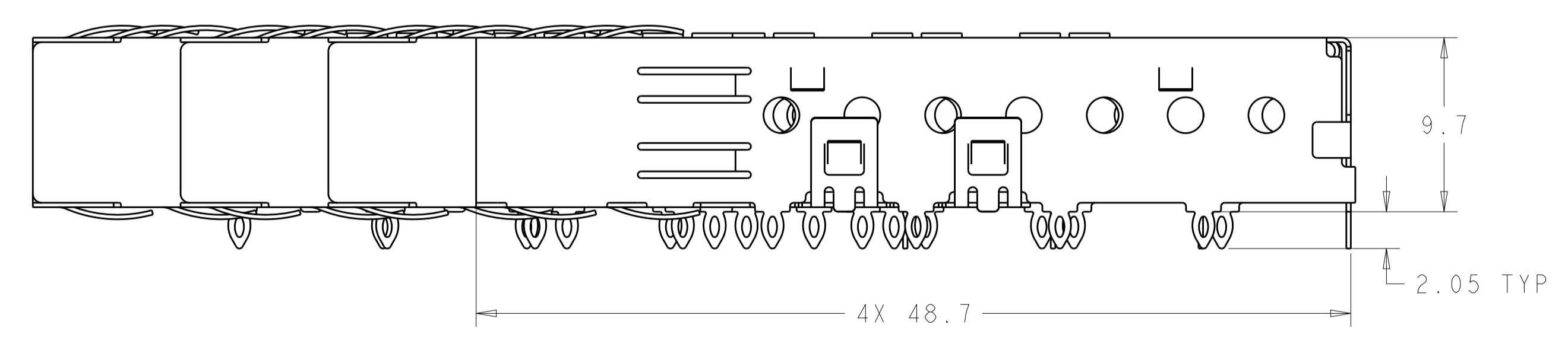
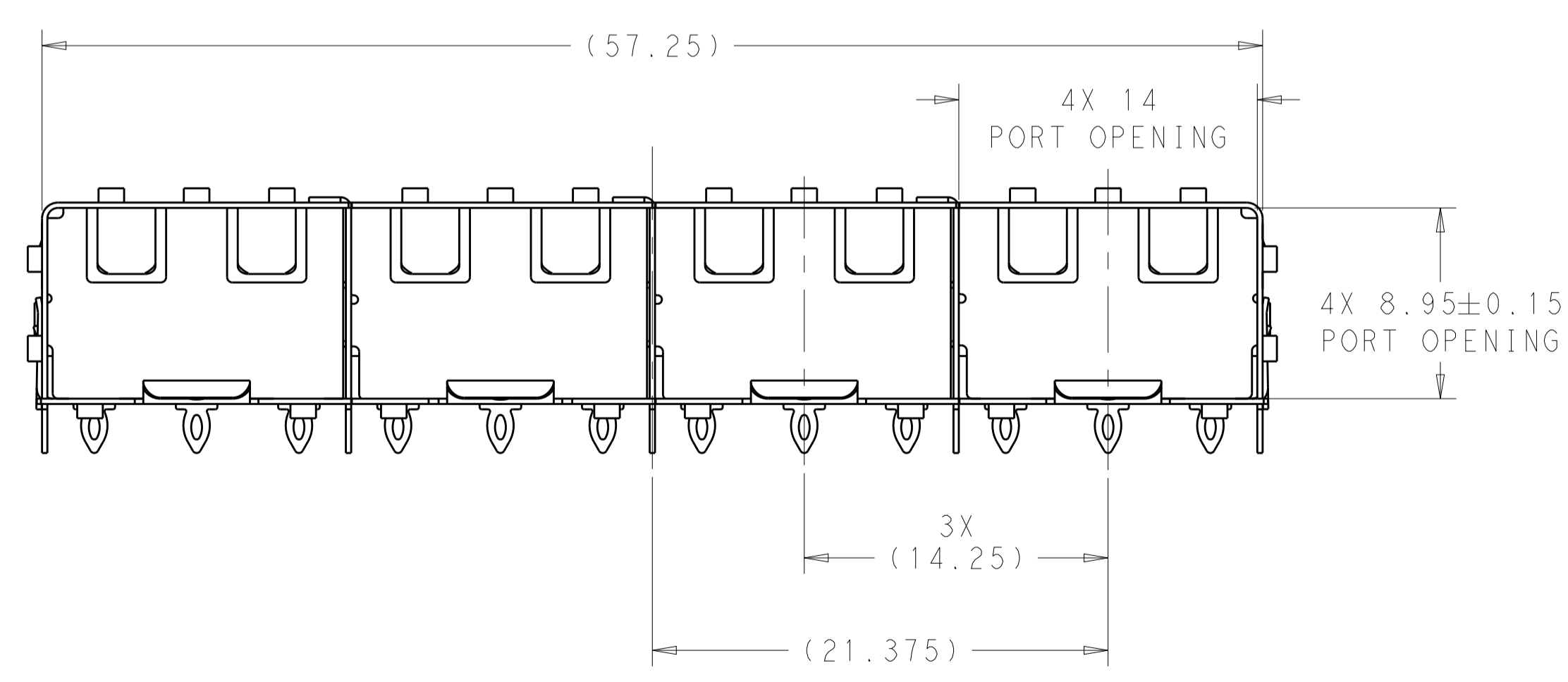
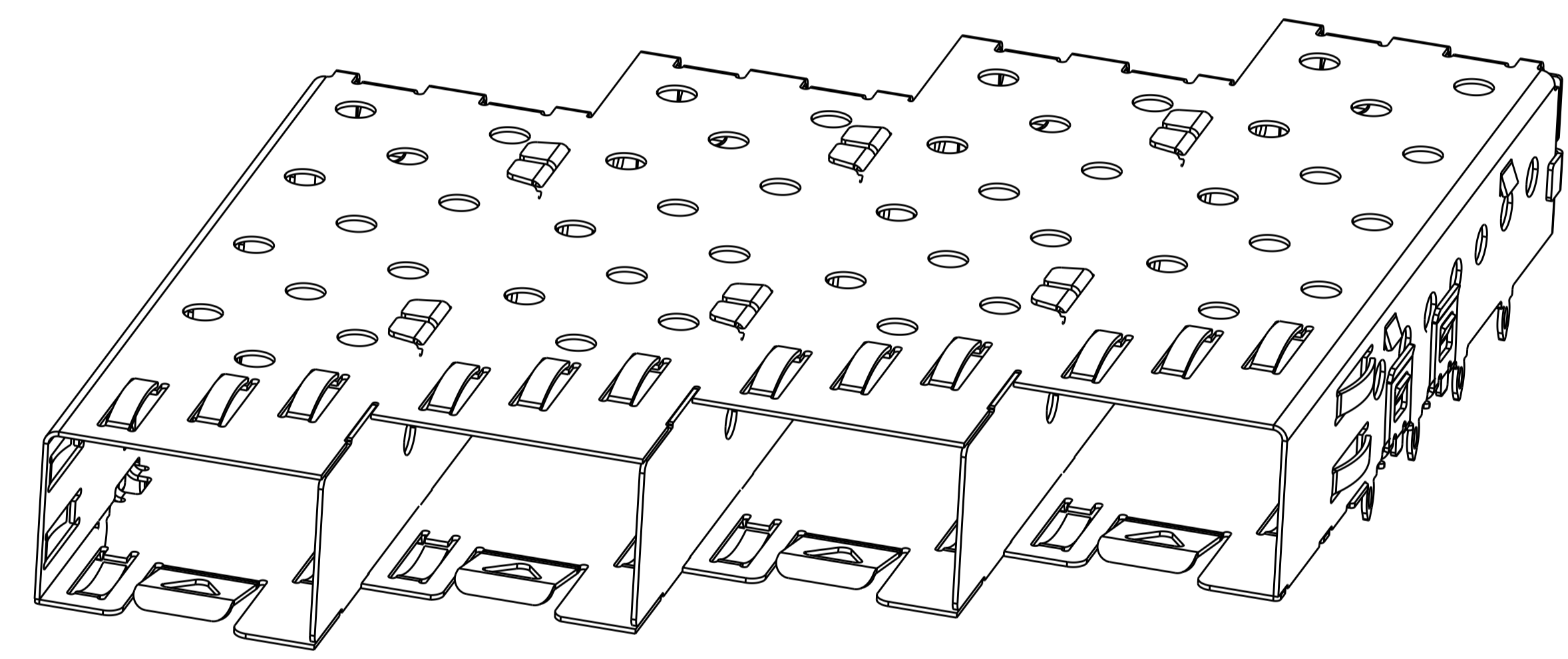


LOC	DIST	REVISIONS			
P	LTN	DESCRIPTION	DATE	DWN	APVD
GP	00	A	RELEASED	25FEB2016	JW SH



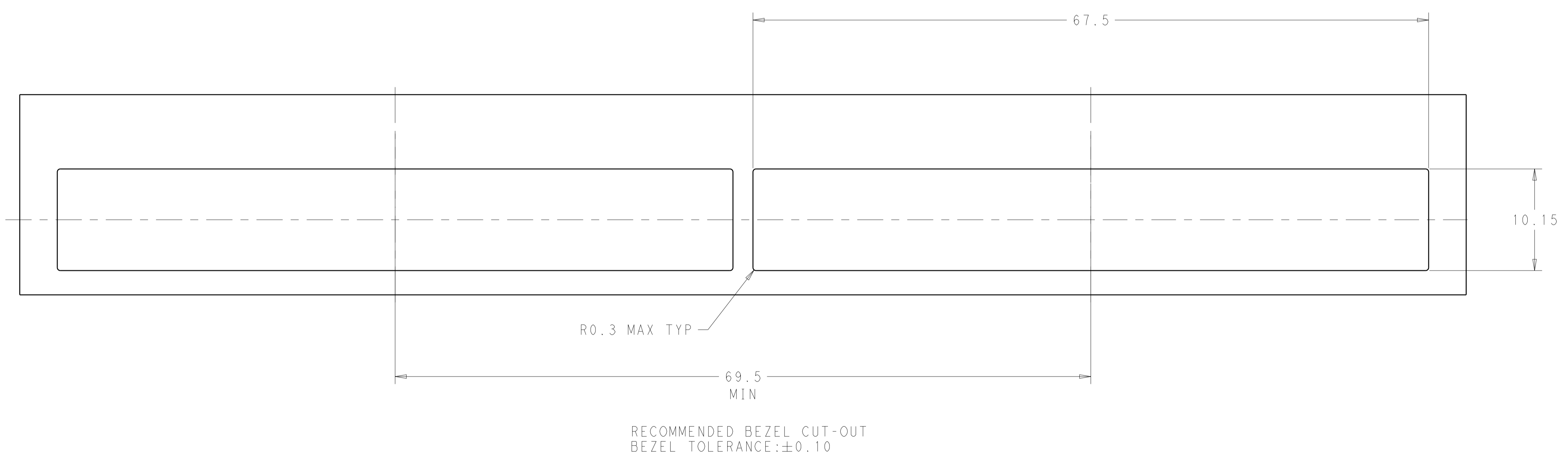
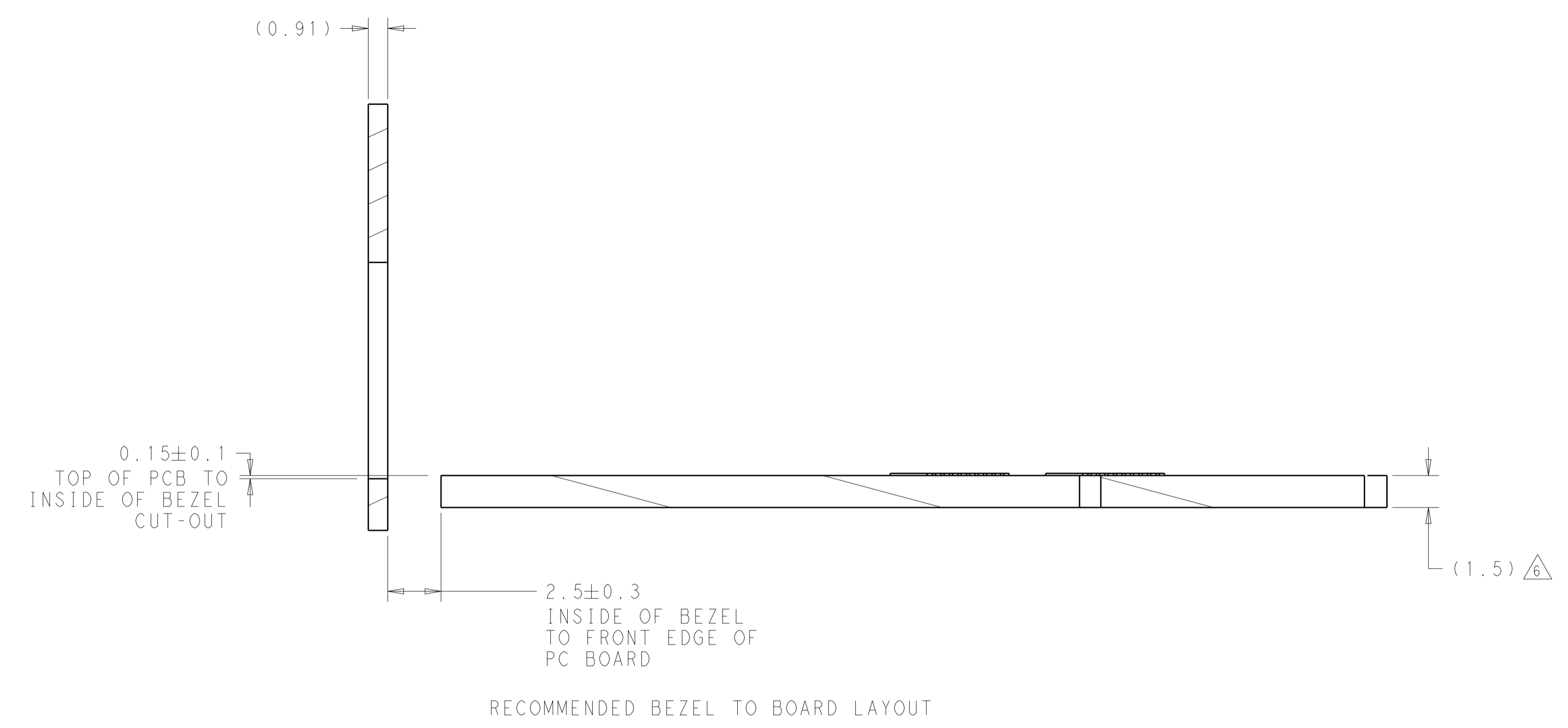
- 1 MATERIAL: 0.25mm THICK NICKEL SILVER ALLOY.
- 2 DATUM AND BASIC DIMENSIONS ESTABLISHED BY THE CUSTOMERS.
- 3. MATES WITH MSA COMPLIANT TRANSIEVERS.
- 4 PADS AND VIAS CHASSIS GROUND.
- 5 REFERENCE APPLICATION SPEC 114-13120, HOLE A, FOR RECOMMENDED DRILL HOLE DIAMETER AND PLATING THICKNESS.
- 6 MINIMUM PCB THICKNESS:  
SINGLE SIDED = 1.5mm



2170167-1  
 PART NO.

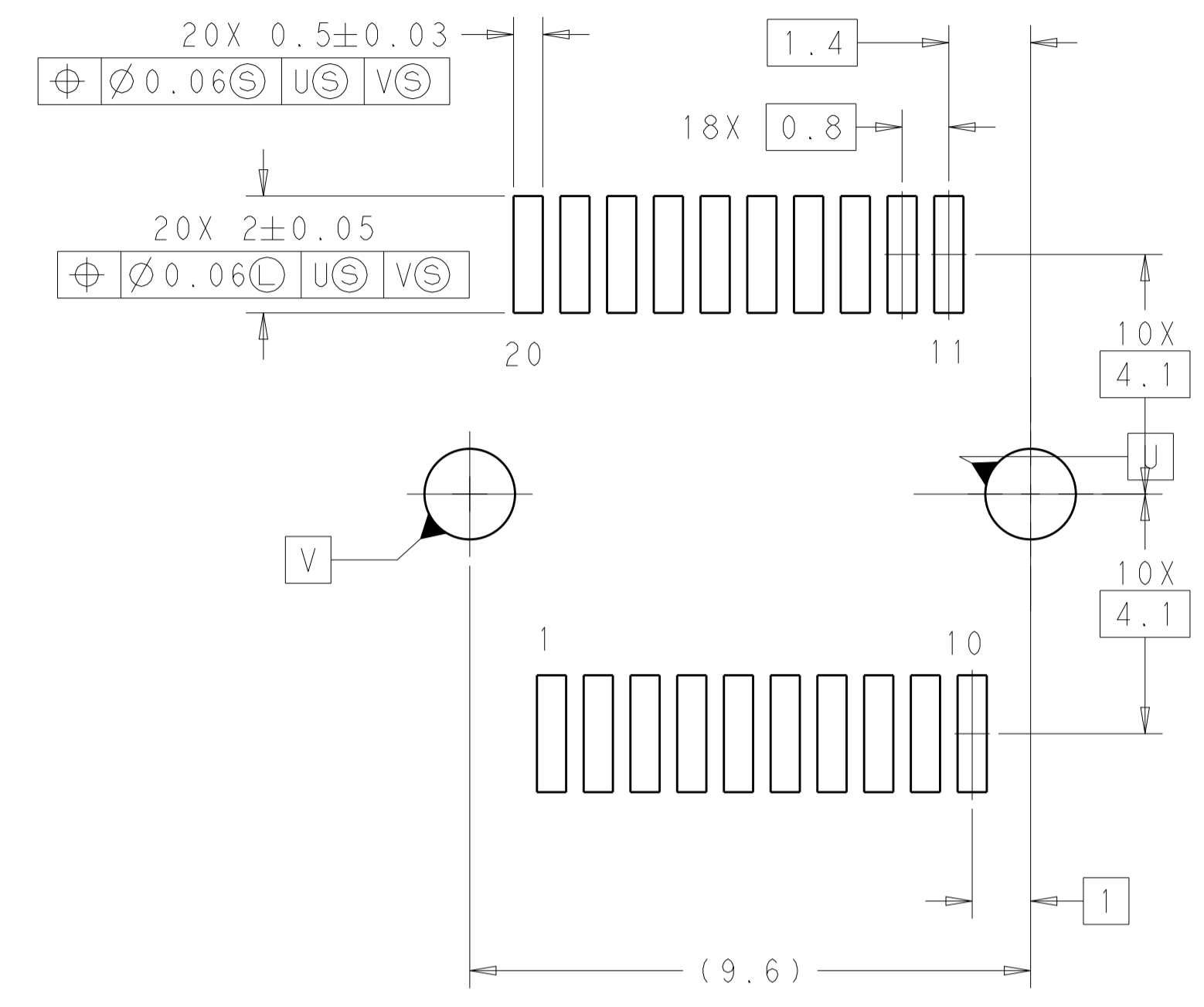
THIS DRAWING IS A CONTROLLED DOCUMENT.		DWN: JASON YANG 08NOV2011	TE Connectivity SFP, 1X4 CAGE ASSEMBLY, 30 DEGREE, PRESS FIT
DIMENSIONS: mm		CHK: ALEX CAI 08NOV2011	
TOLERANCES UNLESS OTHERWISE SPECIFIED:		APVD: ALEX CAI 08NOV2011	
0 PLC ±0.2 1 PLC ±0.2 2 PLC ±0.2 3 PLC ±0.2 4 PLC ±0.2 ANGLES ±0.2		PRODUCT SPEC: 108-1950 APPLICATION SPEC: 114-13120 WEIGHT: -	
MATERIAL:		FINISH: -	SIZE: A1 CAGE CODE: 00779 DRAWING NO: 2170167 CUSTOMER DRAWING
SCALE: 4:1			SHEET: 1 OF 3 REV: A

LOC	DIST	REVISIONS					
		P	LTN	DESCRIPTION	DATE	DMN	APVD
GP	00	-	-	SEE SHEET 1	-	-	-

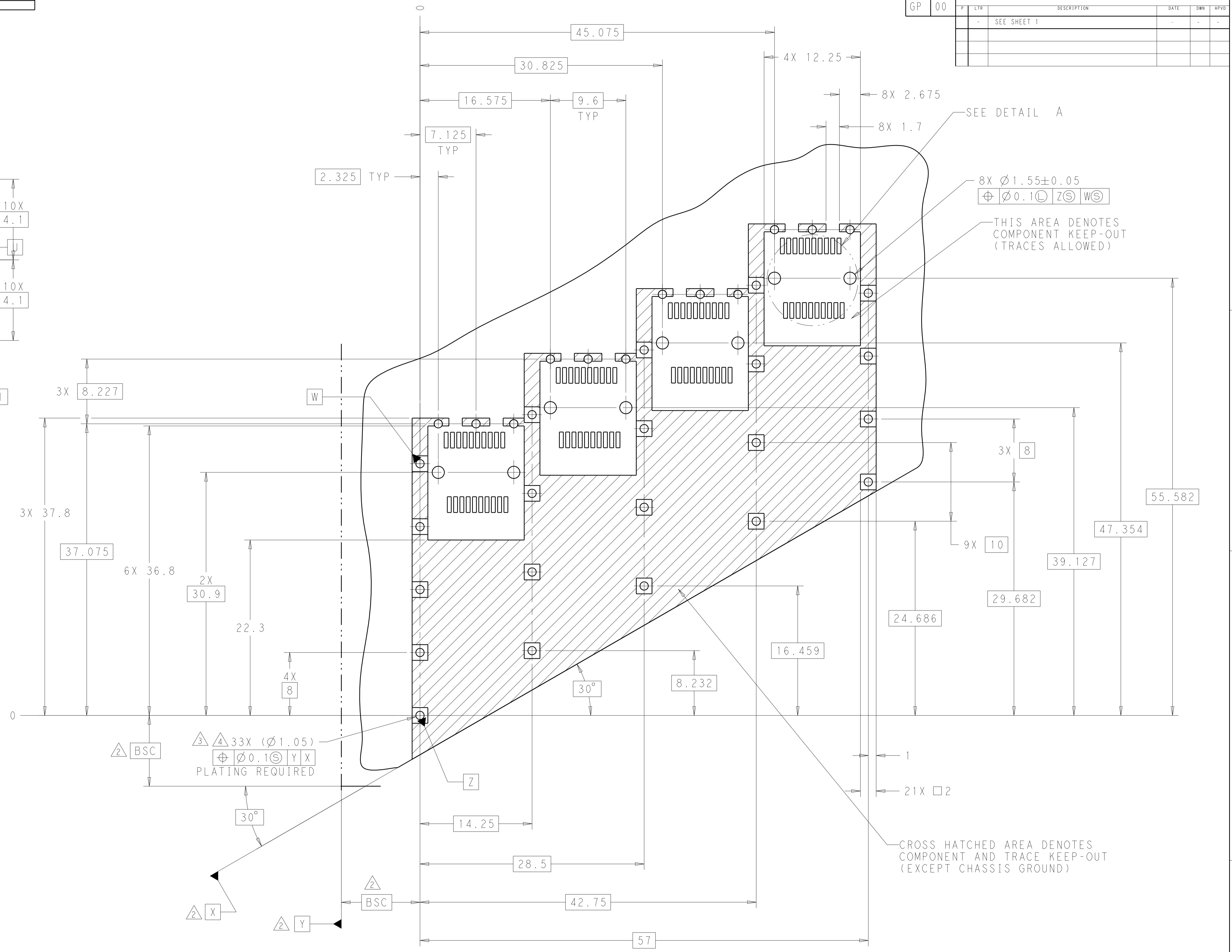


THIS DRAWING IS A CONTROLLED DOCUMENT.		DMN	JASON YANG	08NOV2011	TE Connectivity		
DIMENSIONS:		CHK	ALEX CAI	08NOV2011			
mm		APVD	ALEX CAI	08NOV2011			
		PRODUCT SPEC	NAME				
TOLERANCES UNLESS OTHERWISE SPECIFIED:		108-1950		SIZE	CAGE CODE	DRAWING NO	RESTRICTED TO
0 PLC ±0.2		APPLICATION SPEC		A100779	C=2170167		
1 PLC ±0.2		114-13120		WEIGHT			
2 PLC ±0.2		CUSTOMER DRAWING		SCALE	4:1	SHEET	2 OF 3
3 PLC ±0.2				REV	A		
4 PLC ±0.2							
ANGLES ±0.2							
FINISH							

LOC	DIST	REVISIONS				
GP	00	P. LTH	DESCRIPTION	DATE	DWN	APVD
-	-	-	SEE SHEET 1	-	-	-



DETAIL A  
RECOMMENDED PT CONNECTOR LAYOUT  
4X INDIVIDUALLY  
SCALE 10:1



RECOMMENDED PCB CONFIGURATION  
WITH KEEP-OUT AREAS  
PCB TOLERANCE: ±0.05  
SINGLE SIDED APPLICATIONS

CROSS HATCHED AREA DENOTES  
COMPONENT AND TRACE KEEP-OUT  
(EXCEPT CHASSIS GROUND)

THIS DRAWING IS A CONTROLLED DOCUMENT.		DWN: JASON YANG 08NOV2011	TE Connectivity
DIMENSIONS: mm		CHK: ALEX CAI 08NOV2011	
TOLERANCES UNLESS OTHERWISE SPECIFIED:		APVD: ALEX CAI 08NOV2011	NAME: SFP, 1X4 CAGE ASSEMBLY, 30 DEGREE, PRESS FIT
0 PLC	±0.2	PRODUCT SPEC	108-1950
1 PLC	±0.2	APPLICATION SPEC	114-13120
2 PLC	±0.2	WEIGHT	-
3 PLC	±0.2	CUSTOMER DRAWING	SCALE 4:1 SHEET 3 OF 3 REV A
4 PLC	±0.2		
ANGLES	±0.2		
FINISH			

## X-ON Electronics

Largest Supplier of Electrical and Electronic Components

*Click to view similar products for [I/O Connectors](#) category:*

*Click to view products by [TE Connectivity](#) manufacturer:*

Other Similar products are found below :

[571763P](#) [72.250.1628.2](#) [72.250.2428.2](#) [74720-0505](#) [76.350.0729.0](#) [76871-1403](#) [FCN-244F080-G/1](#) [FCN-260A9920](#) [MP-5T180MUNNA-005](#)  
[PCR-E36PM](#) [PCS-XE26MA+](#) [G38A71314B](#) [1571250010](#) [157-22500-3](#) [MS3471L14-19P L/C](#) [91-569786-35H](#) [172501-4002](#) [172501-6002](#)  
[FCN-260C008-A/L0](#) [FCN-260C024-AL0](#) [FCN-261Z008](#) [2000314-1](#) [200331-1](#) [PCR-E36FC+](#) [PCS-E28FS+](#) [PCS-XE26SLFD+](#) [PCS-](#)  
[XE26SLFDT+](#) [G730VID08BDC24](#) [U90B2054081210](#) [UE86K842720321](#) [38113800006](#) [DP3AR020WQ1R200](#) [Z4.102.0680.0](#) [500-1040](#)  
[500-1052](#) [500-1054](#) [ZP-4008-66L](#) [0709821002](#) [10-565995-597N](#) [DX40-20P\(55\)](#) [5554841-1](#) [MS3474W18-8P-LC\\*](#) [U90B3054061110](#) [U65-](#)  
[E04-4020](#) [ZPF000000000097891](#) [557-262M2-06C](#) [747360449](#) [10099439-003C-TRLF](#) [10137239-0021LF](#) [E9320-001-01](#)