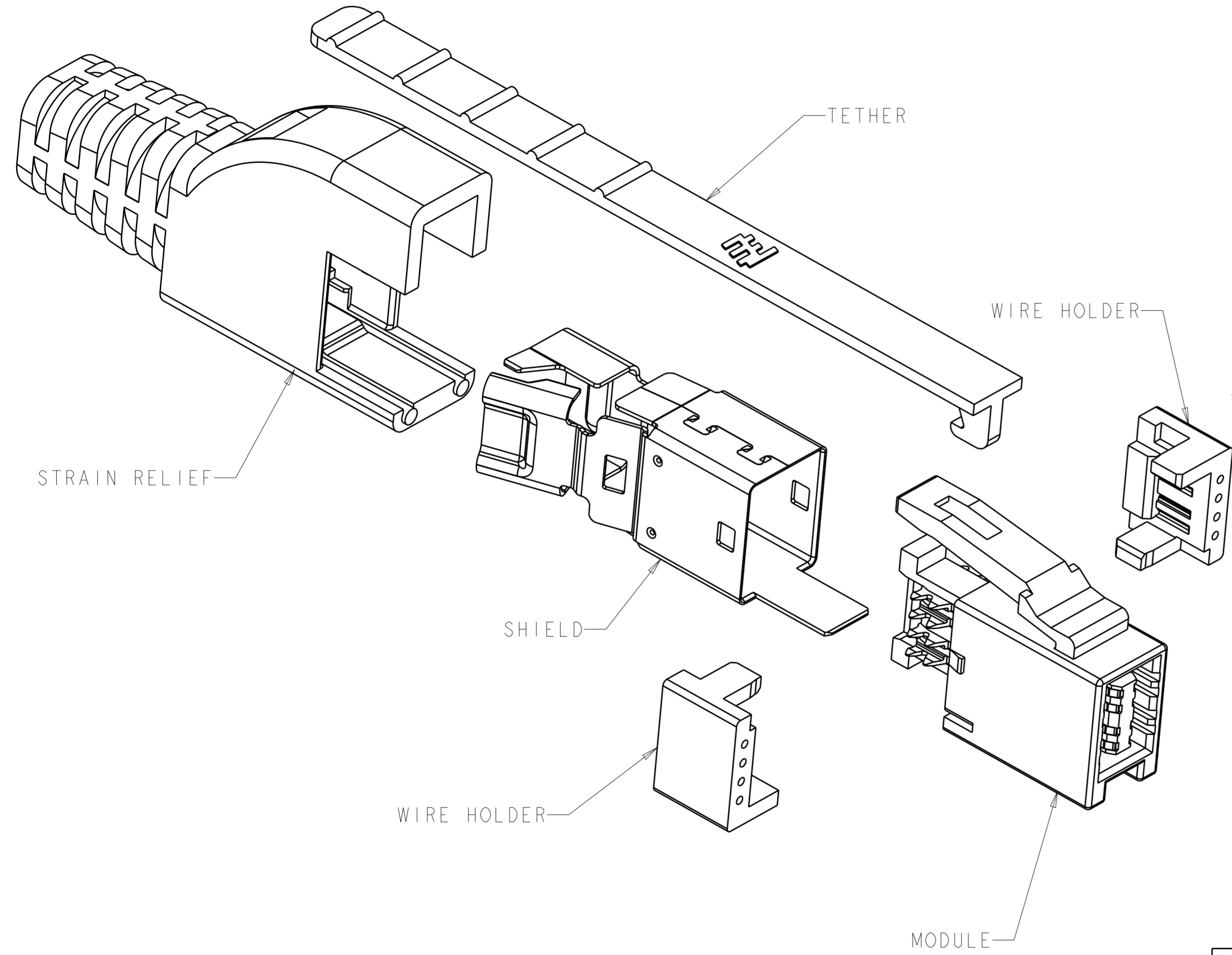


THIS DRAWING IS UNPUBLISHED. RELEASED FOR PUBLICATION 20
 © COPYRIGHT 20 BY - ALL RIGHTS RESERVED.

REVISIONS				
P	LTR	DESCRIPTION	DATE	APVD
	A	INITIAL RELEASE	22MAR2016	LL SH



- 1. MATERIAL:
 MODULE HOUSING AND COVERS: POLYCARBONATE, CLEAR.
 MODULE CONTACTS: BRASS WITH 0.076µm MIN GOLD OVER
 0.68µm PALLADIUM-NICKEL ON MATING INTERFACE
 OVER 1.27µm MIN NICKEL.
 SHIELD: STAINLESS STEEL, PASSIVATE.
 STRAIN RELIEF: ELASTOMER POLYOLEFIN.
 LIGHTPIPE: POLYCARBONATE, CLEAR.
 TETHER: NYLON 6/6.
- 2. PRODUCT FOR USE WITH QUABBIN CABLE P/N 5400 OR
 OTHER CAT5e QUALIFIED CABLE WITH THE FOLLOWING
 MECHANICAL CONSTRAINTS:
 CABLE ONLY WITH FOIL (FTP)
 CENTER CONDUCTOR- 26 AWG STRANDED
 PRIMARY INSULATION DIAMETER 0.89 TO 0.99mm
 MAX JACKET O.D. - 5.60MM
- 3. REFER TO APPLICATION SPECIFICATION 114-13235 FOR
 COMPLETE ASSEMBLY INSTRUCTIONS
- 4. PRODUCT TO BE TERMINATED USING HAND TOOL
 P/N 2031734-1
- 5. BULK PACKAGING

5	2170185-1	2170185-2
1	1	2170185-1
QTY PER KIT	MATERIAL	PART NUMBER

THIS DRAWING IS A CONTROLLED DOCUMENT.		DWN 24NOV2011 DAVID SHEN	STE TE Connectivity	
		CHK 24NOV2011 ALEX SHOAL		
		APVD 24NOV2011 MANQIAN WANG	NAME SHIELDED PLUG KIT RJ POINT FIVE	
DIMENSIONS: mm		PRODUCT SPEC 108-60097	SIZE CAGE CODE DRAWING NO A200779 C-2170185	
TOLERANCES UNLESS OTHERWISE SPECIFIED: 0 PLC ± 1 PLC ± 2 PLC ± 3 PLC ± 4 PLC ± ANGLES ± FINISH		APPLICATION SPEC 114-13235	RESTRICTED TO -	
MATERIAL		WEIGHT -	SCALE 1:1 SHEET 1 OF 2 REV A	
		CUSTOMER DRAWING		

THIS DRAWING IS UNPUBLISHED. RELEASED FOR PUBLICATION 20
 © COPYRIGHT 20 BY - ALL RIGHTS RESERVED.

REVISIONS				
P	LTR	DESCRIPTION	DATE	APVD
-	-	SEE SHEET 1	-	-

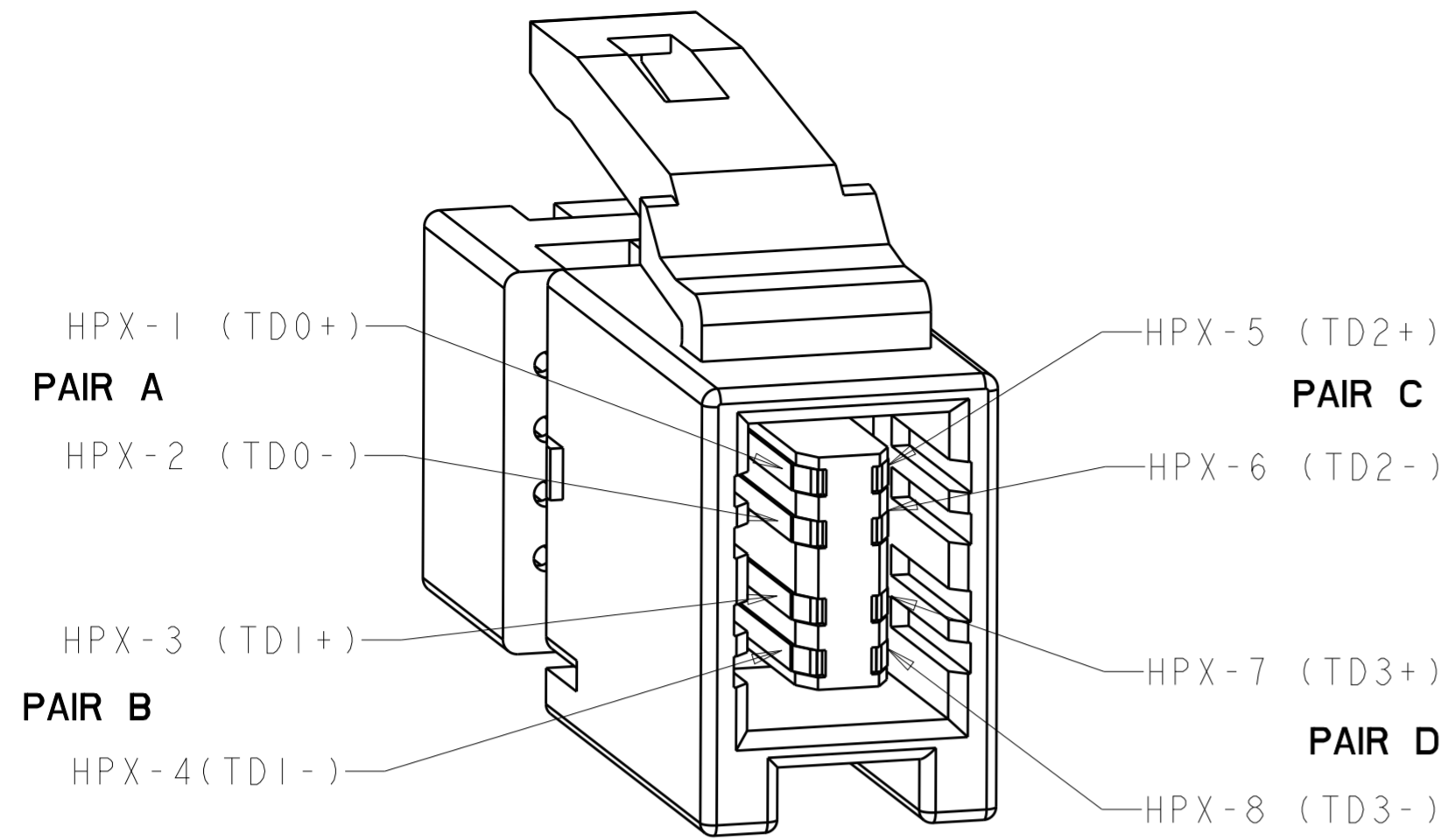


FIGURE 1
 SCALE 8:1

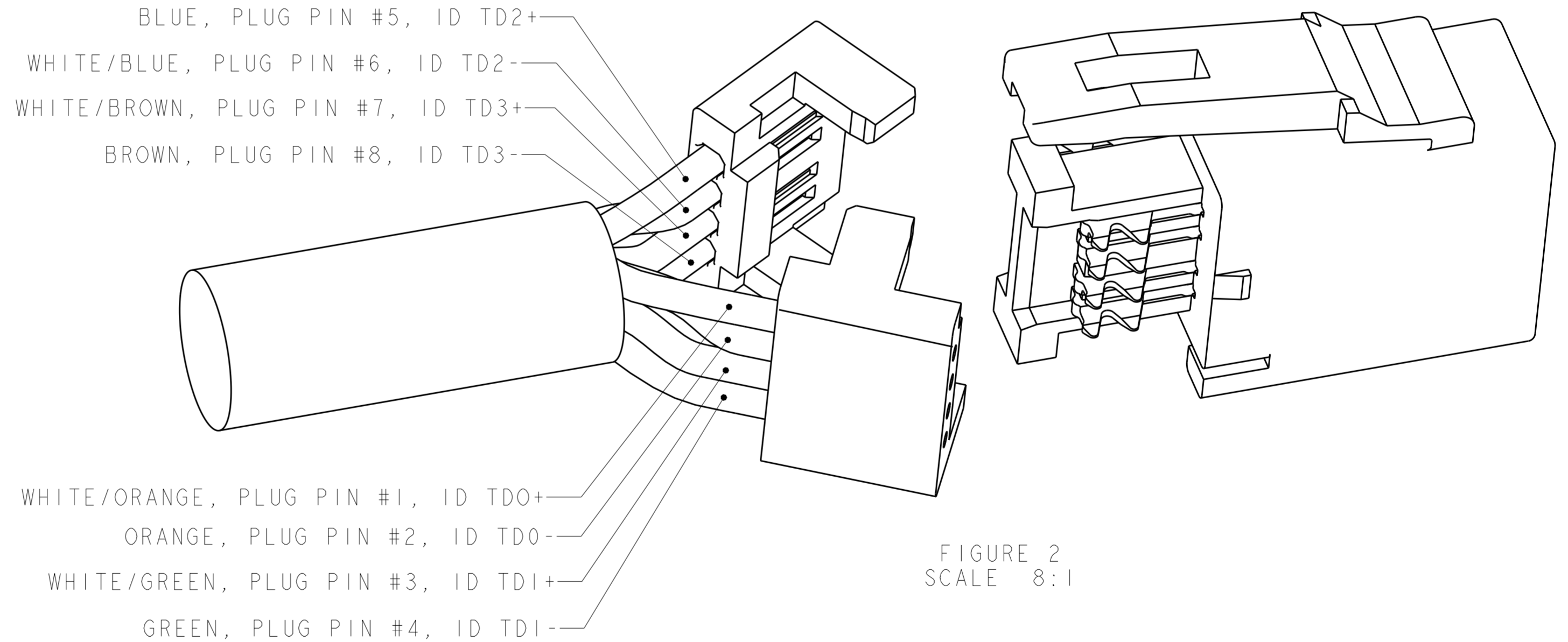


FIGURE 2
 SCALE 8:1

THIS DRAWING IS A CONTROLLED DOCUMENT.		DWN 24NOV2011 DAVID SHEN	STE TE Connectivity	
DIMENSIONS: mm		CHK 24NOV2011 ALEX SHOAL		
TOLERANCES UNLESS OTHERWISE SPECIFIED:		APVD 24NOV2011 MANLIAN WANG	NAME SHIELDED PLUG KIT RJ POINT FIVE	
0 PLC ± 1 PLC ± 2 PLC ± 3 PLC ± 4 PLC ± ANGLES ± FINISH		PRODUCT SPEC 108-60097	RESTRICTED TO	
MATERIAL		APPLICATION SPEC 114-13235	SIZE A200779	CAGE CODE C-2170185
		WEIGHT	DRAWING NO	
		CUSTOMER DRAWING	SCALE 1:1	SHEET 2 OF 2 REV A

X-ON Electronics

Largest Supplier of Electrical and Electronic Components

Click to view similar products for [Modular Connectors / Ethernet Connectors](#) category:

Click to view products by [TE Connectivity](#) manufacturer:

Other Similar products are found below :

[8949-H88/06BLKA/SN](#) [74441-0010/BKN](#) [MP1010RX-1000](#) [MP44RX-1000](#) [PHJ-4P4C-1-V-4](#) [PHP-6P6C-5](#) [GAX-3-66](#) [GAX-8-62](#) [GDCX-PA-66-50](#) [GDCX-PN-64](#) [GDCX-PN-66](#) [GDCX-PN-66-50](#) [GDLX-A-66](#) [GDLX-N-66](#) [GDLX-S-66](#) [GDLX-S-88K](#) [GDTX-S-88-50](#) [GDX-PA-1010](#) [GLX-N-1010M-BLK](#) [GLX-S-88M-BLK](#) [GMX-N-1010](#) [GMX-S-1010](#) [GMX-S-66](#) [GMX-SMT4-N-88](#) [GPX-2-64](#) [GSGX-N-2-88](#) [GSGX-N-4-88](#) [GSX-NS2-88-3.05](#) [GSX-NS2-88-3.05-50](#) [GSX-NS-88-3.05-50](#) [PT-108A-8C-UL](#) [PT-J951-8C](#) [PTS-J531-8CS-50UL](#) [1-1775629-2](#) [A-2014-0-4](#) [GWLX-S-88-GR](#) [GWLX-S9-88-YG](#) [DC-1021-8-WH-6](#) [1300530003](#) [1324640-4](#) [RJ11FTVC2G](#) [RJ11FTVC2N](#) [RJFTVX2SA1G](#) [132764-001](#) [1413235](#) [MP88X-1000](#) [MPS88RX-5000](#) [E5288-S000K3-L](#) [E5908-15A242-L](#) [155302-001](#)