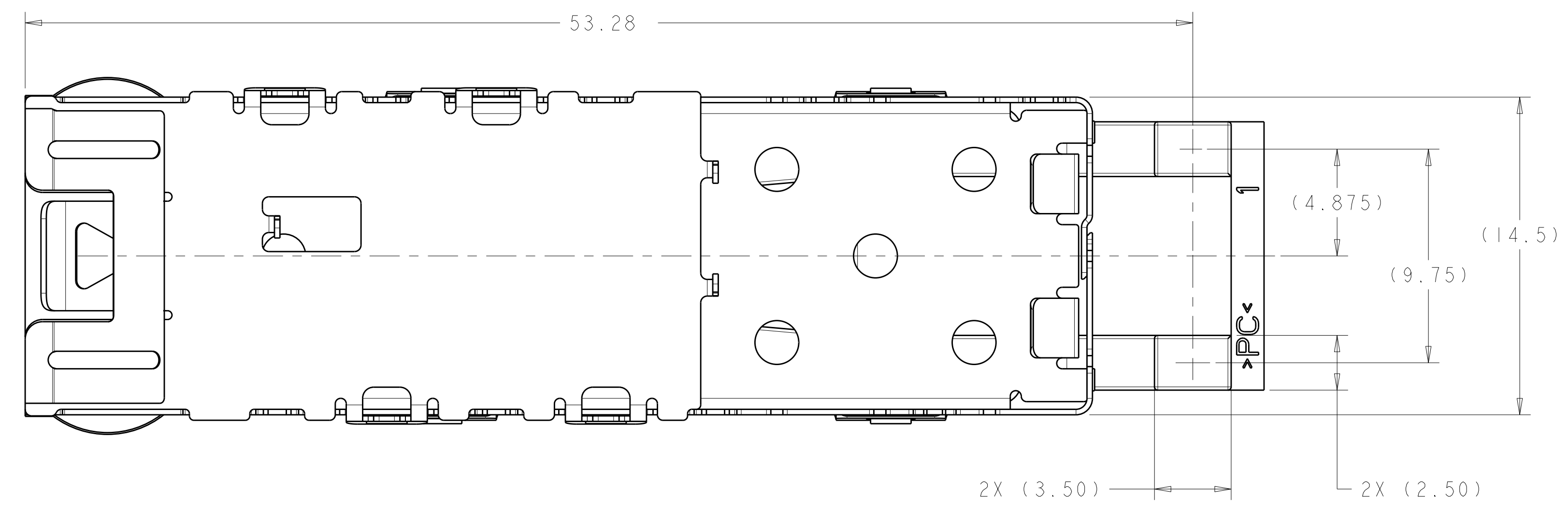
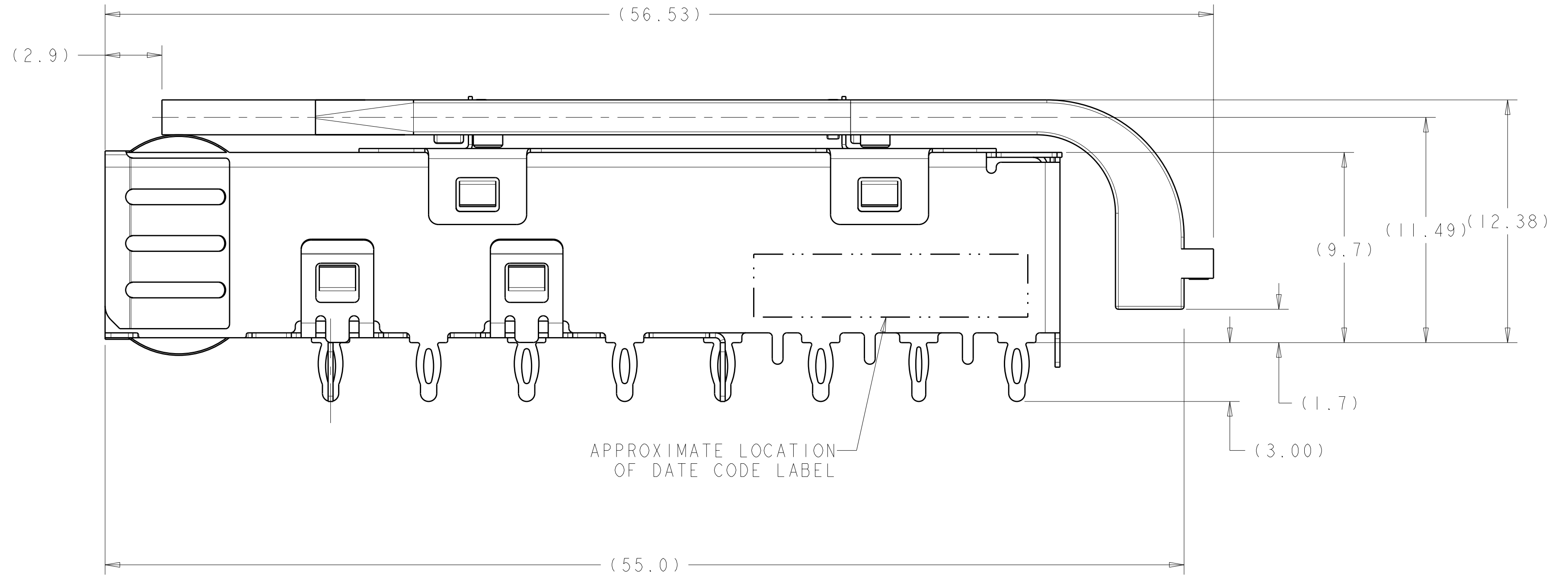
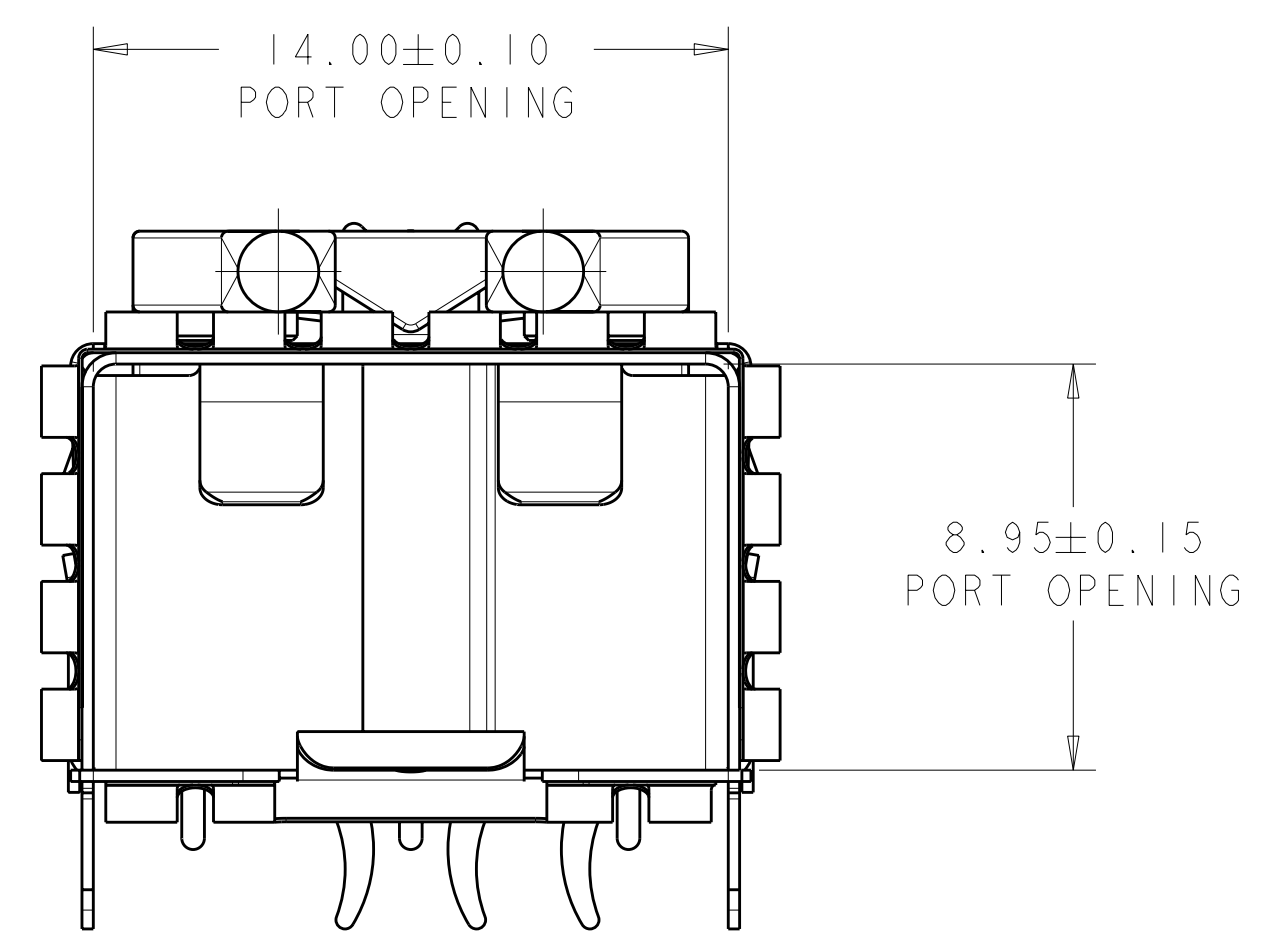
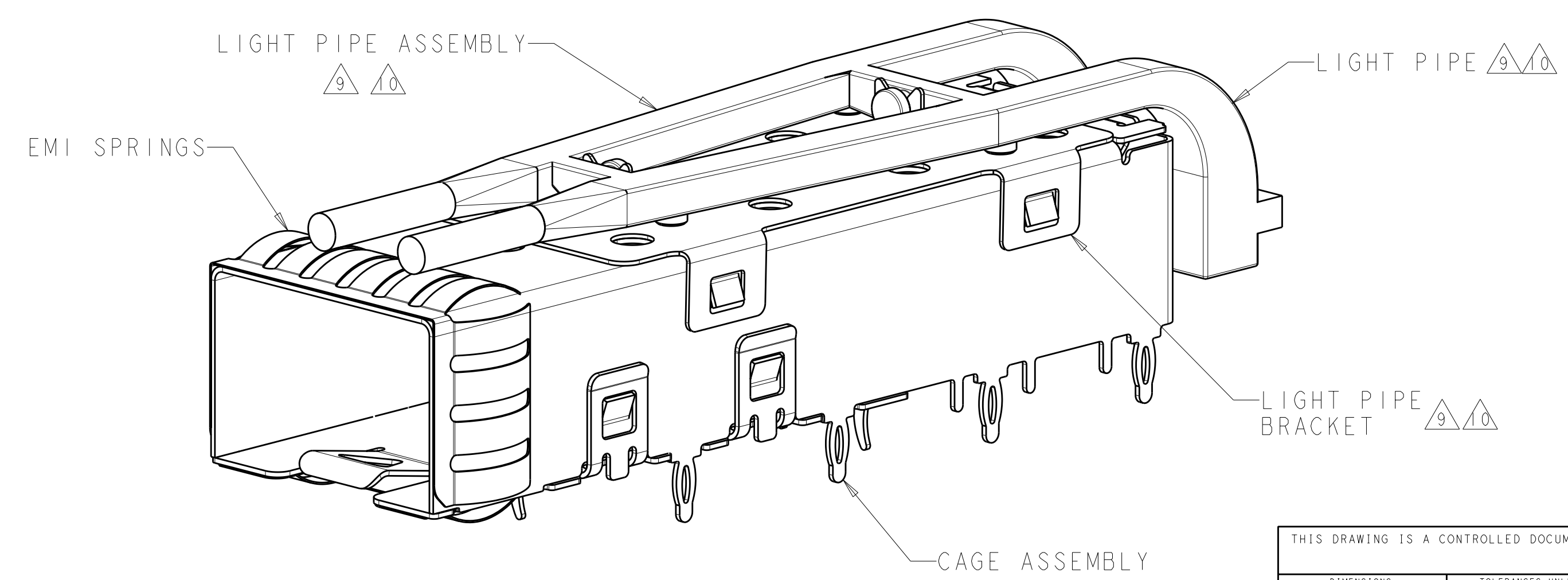


LOC	DIST	REV	DATE	BY	APPD
GP	00	1	18NOV2011	JY	AC
		2	28NOV2011	JY	AC



- 1 MATERIAL:
 CAGE ASSEMBLY - 0.25 THICK NICKEL-SILVER ALLOY.
 EMI SPRINGS - COPPER ALLOY.
 LIGHT PIPE - POLYCARBONATE, CLEAR.
 LIGHT PIPE BRACKET - STAINLESS STEEL.
- 2 FINISH:
 EMI SPRINGS - 0.8um MIN MATTE TIN OVER 0.8um MIN NICKEL
 NON-PLATED EDGES PERMISSIBLE.
- 3. MATES WITH SFP MSA COMPLIANT TRANSCEIVERS.
- 4 PADS AND VIAS CHASSIS GROUND.
- 5 DATUM AND BASIC DIMENSION ESTABLISHED BY CUSTOMER.
- 6. MINIMUM PC BOARD THICKNESS:
 SINGLE SIDED: 1.50mm
 DOUBLE SIDED: 3.00mm
- 7 REFERENCE APPLICATION SPEC. 114-13120, HOLE A, FOR
 RECOMMENDED DRILL HOLE DIAMETER AND PLATING THICKNESS.
- 8 REFERENCE APPLICATION SPEC. 114-13120, HOLE C, FOR
 RECOMMENDED DRILL HOLE DIAMETER AND PLATING THICKNESS.
 INTO PCB PRIOR TO ATTACHING THE LIGHTPIPE ASSEMBLY
 TO THE CAGE.
- 9 LIGHT PIPE ASSEMBLY SHIPPED UNASSEMBLED TO CAGE ASSEMBLY.
 CAGE ASSEMBLY TO BE PRESSED INTO PCB PRIOR TO ATTACHING
 THE LIGHT PIPE ASSEMBLY TO THE CAGE.
- 10 LIGHT PIPE AND LIGHT PIPE BRACKET SHIPPED ASSEMBLED.



DESIGN APPROVED THIS PRINT IS
PRELIMINARY
 TO FIRST PIECE APPROVAL
 CONTACT PRODUCT ENGINEERING
 BEFORE USING THIS PRINT

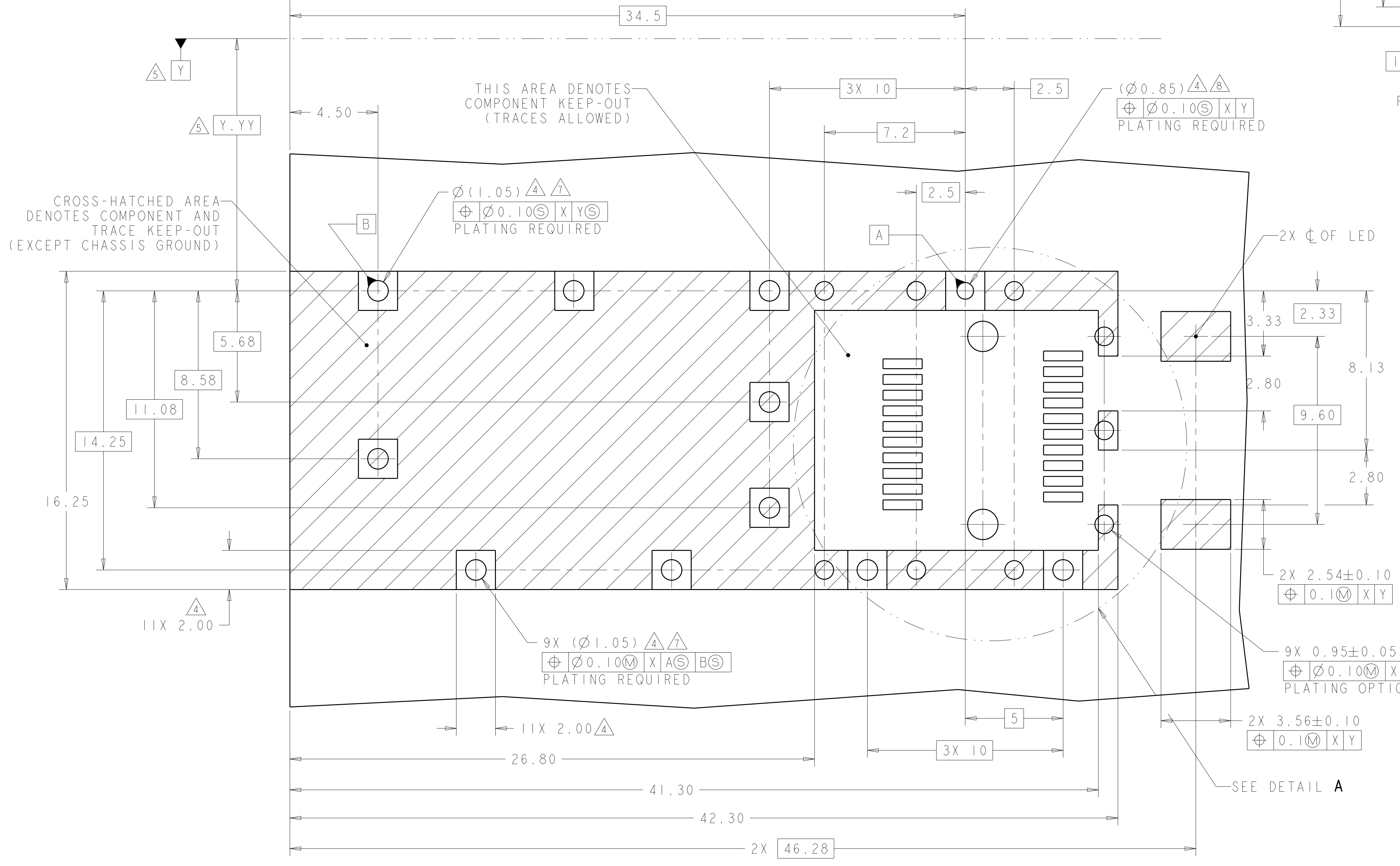
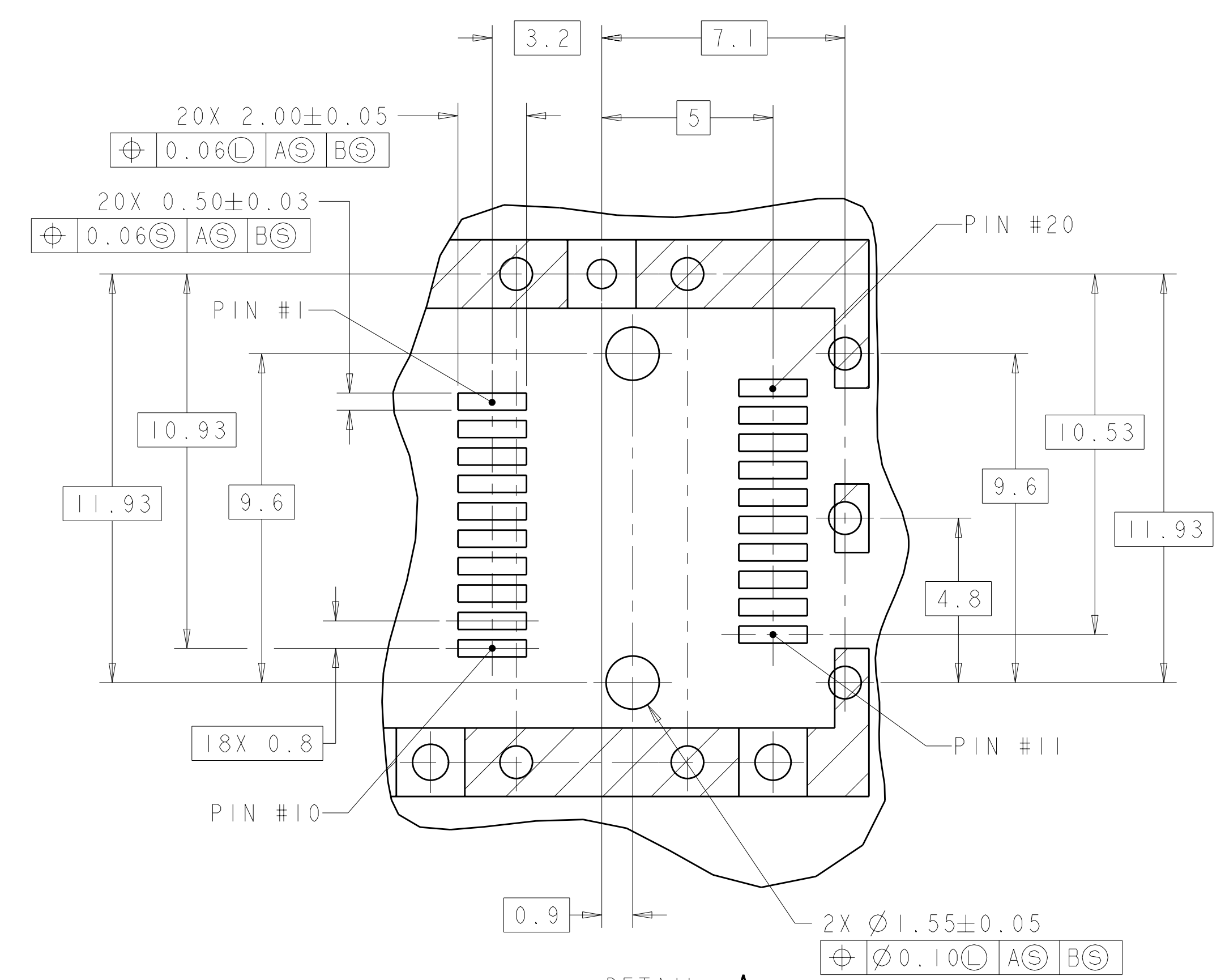
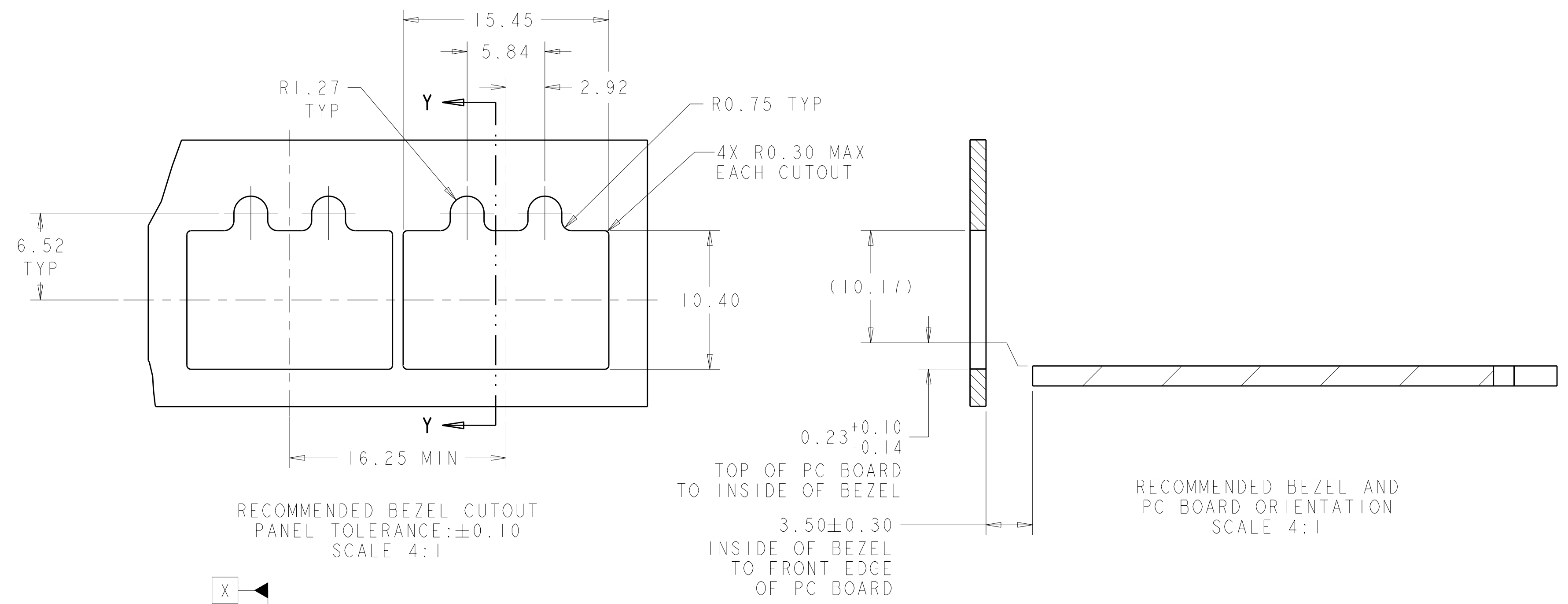
2170193-1
 PART
 NUMBER

2170193-1
 SHOWN ASSEMBLED
 SCALE 5:1

THIS DRAWING IS A CONTROLLED DOCUMENT.		DRN: JASON YANG 18NOV2011	TE Connectivity
DIMENSIONS: mm		CHK: ALEX CAI 18NOV2011	
TOLERANCES UNLESS OTHERWISE SPECIFIED:		APPD: ALEX CAI 18NOV2011	NAME: SFP+ IXI CAGE ASSEMBLY PRESS-FIT, EXTERNAL EMI SPRINGS, WITH LIGHT PIPES
9 PLC ±0.2	1 PLC ±0.2	PRODUCT SPEC: 108-2364	SIZE: CAGE CODE DRAWING NO: A100779C=2170193
5 PLC ±0.2	4 PLC ±	APPLICATION SPEC: 114-13120	RESTRICTED TO: -
ANGLES ±	FINISH	WEIGHT: -	SCALE: 3:1 SHEET 1 OF 2 REV 2
MATERIAL: 1	FINISH: 2	CUSTOMER DRAWING	

LOC	DIST	REV	DATE	BY	APPD
GP	00				

REVISIONS		DATE	BY	APPD
1	SEE SHEET 1			



RECOMMENDED PCB LAYOUT
PCB TOLERANCE: ±0.05
SCALE 8:1

THIS DRAWING IS A CONTROLLED DOCUMENT.		DWN: JASON YANG 18NOV2011	TE Connectivity
DIMENSIONS: mm		CHK: ALEX CAI 18NOV2011	
TOLERANCES UNLESS OTHERWISE SPECIFIED:		APVD: ALEX CAI 18NOV2011	NAME: SFP+ 1X1 CAGE ASSEMBLY PRESS-FIT, EXTERNAL EMI SPRINGS, WITH LIGHT PIPES
9 PLC ±0.2		PRODUCT SPEC: 108-2364	SIZE: CAGE CODE DRAWING NO: A100779C=2170193
1 PLC ±0.2		APPLICATION SPEC: 114-13120	RESTRICTED TO: -
5 PLC ±0.2		WEIGHT: -	SCALE: 3:1 SHEET: 2 OF 2 REV: 2
4 PLC ±0.2		CUSTOMER DRAWING	
ANGLES ±			
FINISH: -			

X-ON Electronics

Largest Supplier of Electrical and Electronic Components

Click to view similar products for [I/O Connectors](#) category:

Click to view products by [TE Connectivity](#) manufacturer:

Other Similar products are found below :

[571763P](#) [72.250.1628.2](#) [72.250.2428.2](#) [74720-0505](#) [76.350.0729.0](#) [76871-1403](#) [FCN-244F080-G/1](#) [FCN-260A9920](#) [MP-5T180MUNNA-005](#)
[PCR-E36PM](#) [PCS-XE26MA+](#) [G38A71314B](#) [1571250010](#) [157-22500-3](#) [MS3471L14-19P L/C](#) [91-569786-35H](#) [172501-4002](#) [172501-6002](#)
[FCN-260C008-A/L0](#) [FCN-260C024-AL0](#) [FCN-261Z008](#) [2000314-1](#) [200331-1](#) [PCR-E36FC+](#) [PCS-E28FS+](#) [PCS-XE26SLFD+](#) [PCS-](#)
[XE26SLFDT+](#) [G730VID08BDC24](#) [U90B2054081210](#) [UE86K842720321](#) [38113800006](#) [DP3AR020WQ1R200](#) [Z4.102.0680.0](#) [500-1040](#)
[500-1052](#) [500-1054](#) [ZP-4008-66L](#) [0709821002](#) [10-565995-597N](#) [DX40-20P\(55\)](#) [5554841-1](#) [U90B3054061110](#) [U65-E04-4020](#)
[ZPF00000000097891](#) [557-262M2-06C](#) [747360449](#) [10099439-003C-TRLF](#) [10137239-0021LF](#) [E9320-001-01](#) [10137239-0011LF](#)