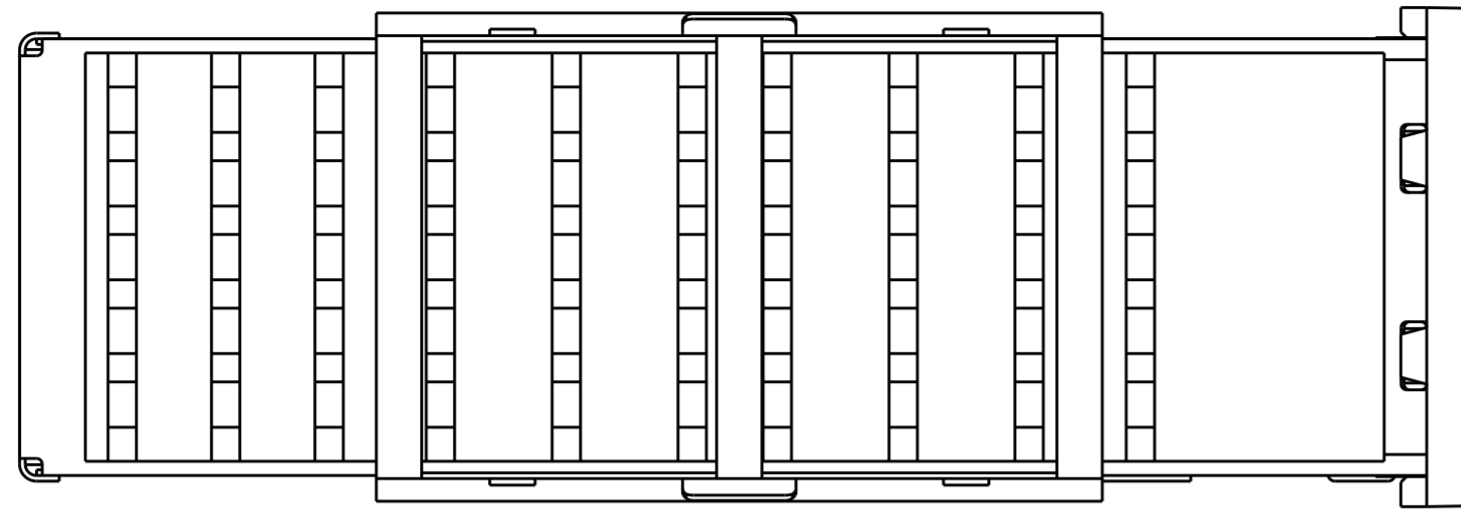
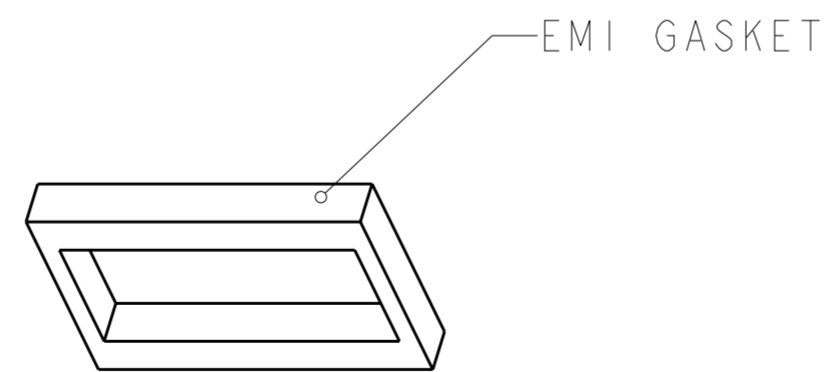
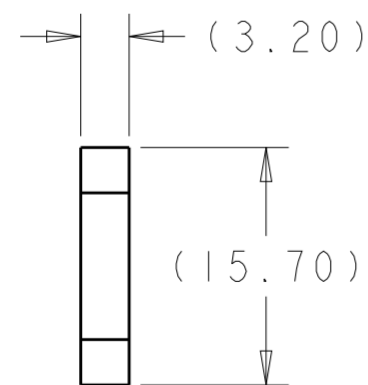
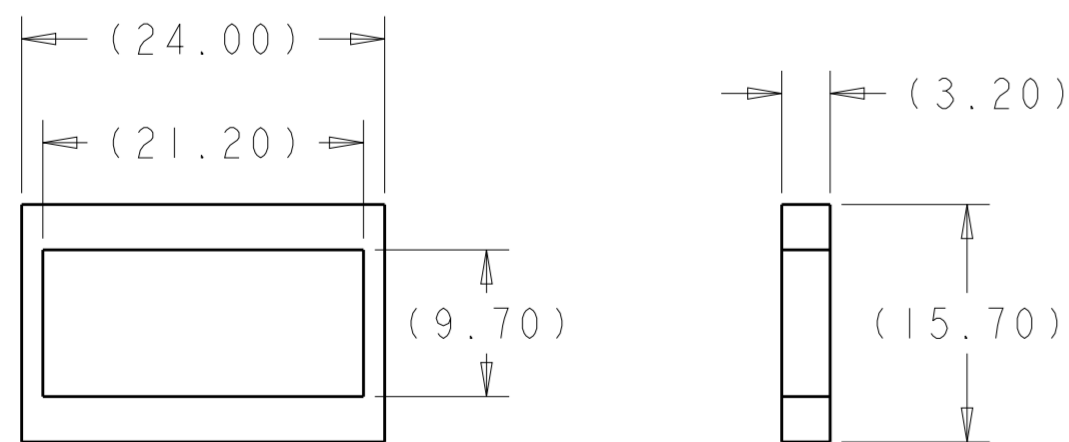
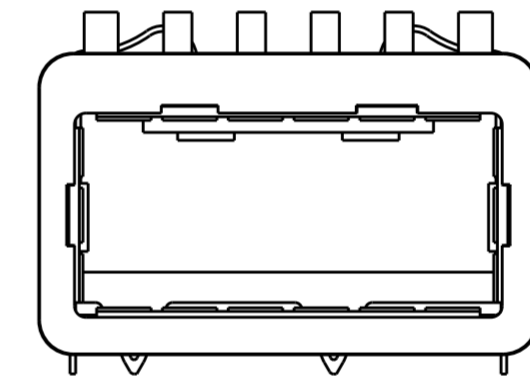
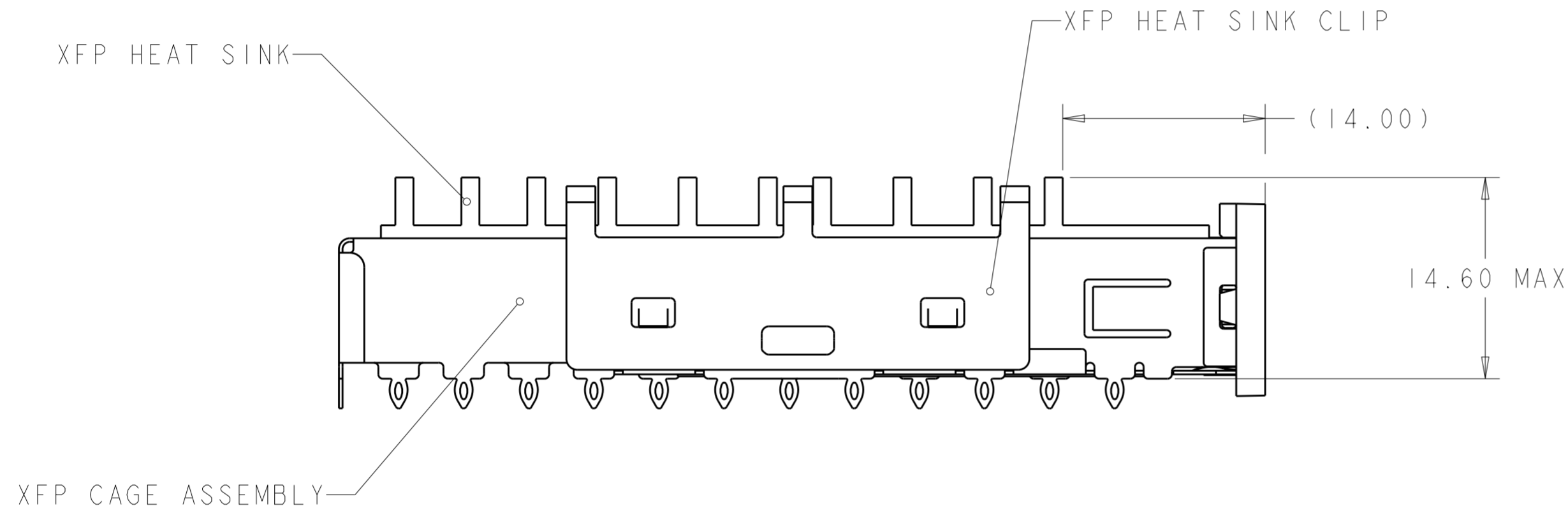


THIS DRAWING IS UNPUBLISHED. RELEASED FOR PUBLICATION 20
 © COPYRIGHT 20 BY - ALL RIGHTS RESERVED.

LOC	DIST	REVISIONS					
ES	00	P	LTR	DESCRIPTION	DATE	DWN	APVD
		A		REV PER ECR-12-003021	2FEB2012	DZ	AC
		B		REV PER ECR-12-018839	29OCT2012	DZ	AC



- MATES WITH XFP MSA COMPLIANT TRANSECIVERS
 - SEE COMPONENT DRAWINGS FOR COMPONENT DIMENSIONS AND INFORMATION.
- △ EMI GASKET IS SHIPPED UNASSEMBLED TO CAGE ASSEMBLY.



SCALE 2:1

SCALE 2:1

2132186-2	2170202-2	1489948-2	2170200-1	2170199-1
△ EMI GASKET	HEATSINK PART NUMBER	HEATSINK CLIP PART NUMBER	CAGE PART NUMBER	PART NUMBER

THIS DRAWING IS A CONTROLLED DOCUMENT.		DWN D. ZHU 24NOV2011	TE Connectivity	
DIMENSIONS: mm		CHK D. ZHU 24NOV2011		
TOLERANCES UNLESS OTHERWISE SPECIFIED:		APVD A. CAL	NAME XFP KIT ASSEMBLY	
0 PLC ±	1 PLC ±	PRODUCT SPEC 108-2127	-	
2 PLC ±	3 PLC ±	APPLICATION SPEC 114-13096	-	
4 PLC ±	ANGLES ±	WEIGHT	SIZE A200779	CAGE CODE C-2170199
FINISH			RESTRICTED TO	
MATERIAL		Customer Drawing	SCALE 4	SHEET 1 OF 1
			REV B	

X-ON Electronics

Largest Supplier of Electrical and Electronic Components

Click to view similar products for [I/O Connectors](#) category:

Click to view products by [TE Connectivity](#) manufacturer:

Other Similar products are found below :

[571763P](#) [58098-0628](#) [72.250.1628.2](#) [72.250.2428.2](#) [74720-0505](#) [76.350.0729.0](#) [76871-1403](#) [FCN-244F080-G/1](#) [FCN-260A9920](#) [PCR-E36PM](#) [PCS-XE26MA+](#) [G38A71314B](#) [1571250010](#) [157-22500-3](#) [MS3471L14-19P L/C](#) [172501-4002](#) [172501-6002](#) [FCN-260C008-A/L0](#) [FCN-260C024-AL0](#) [FCN-261Z008](#) [2000314-1](#) [200331-1](#) [PCR-E36FC+](#) [PCS-E28FS+](#) [PCS-XE26SLFD+](#) [PCS-XE26SLFDT+](#) [G730VID08BDC24](#) [U90B2054081210](#) [38113800006](#) [DP3AR020WQ1R200](#) [Z4.102.0680.0](#) [500-1040](#) [500-1052](#) [500-1054](#) [ZP-4008-66L](#) [0709821002](#) [DX40-20P\(55\)](#) [5554841-1](#) [MS3474W18-8P-LC*](#) [U90B3054061110](#) [U65-E04-4020](#) [ZPF000000000097891](#) [747360449](#) [10099439-003C-TRLF](#) [10137239-0021LF](#) [E9320-001-01](#) [10137239-0011LF](#) [70289-001LF](#) [70.060.1028.0](#) [109029-ZZ](#)