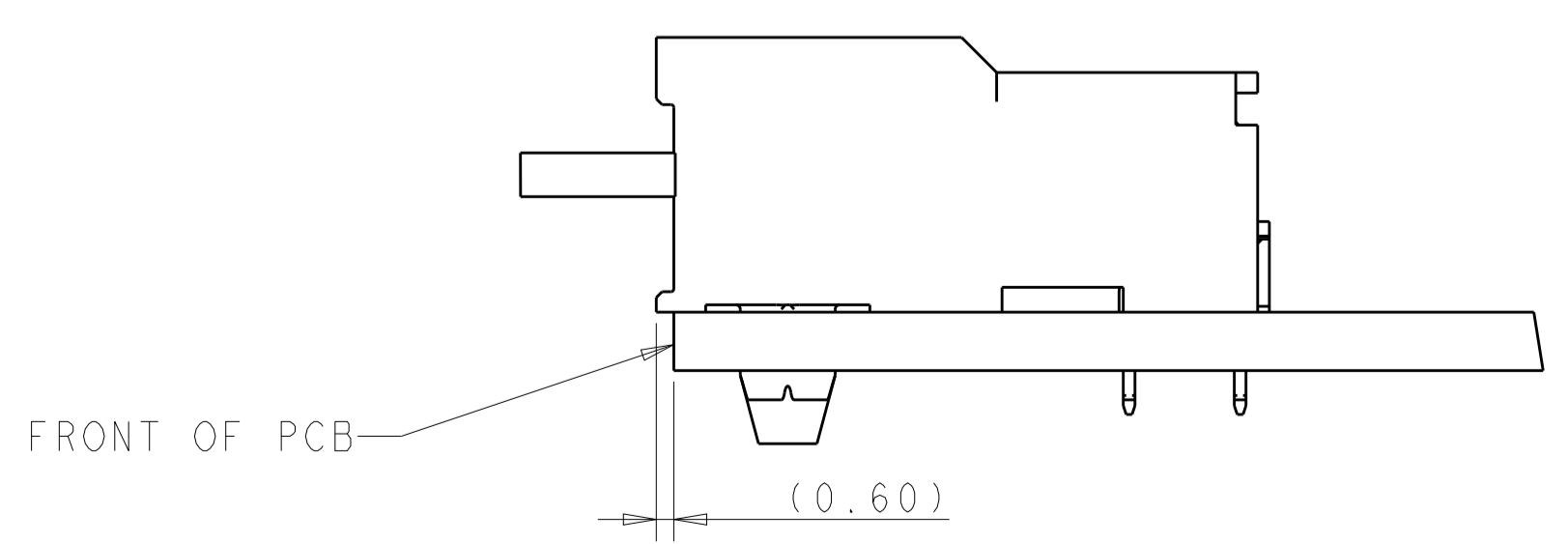
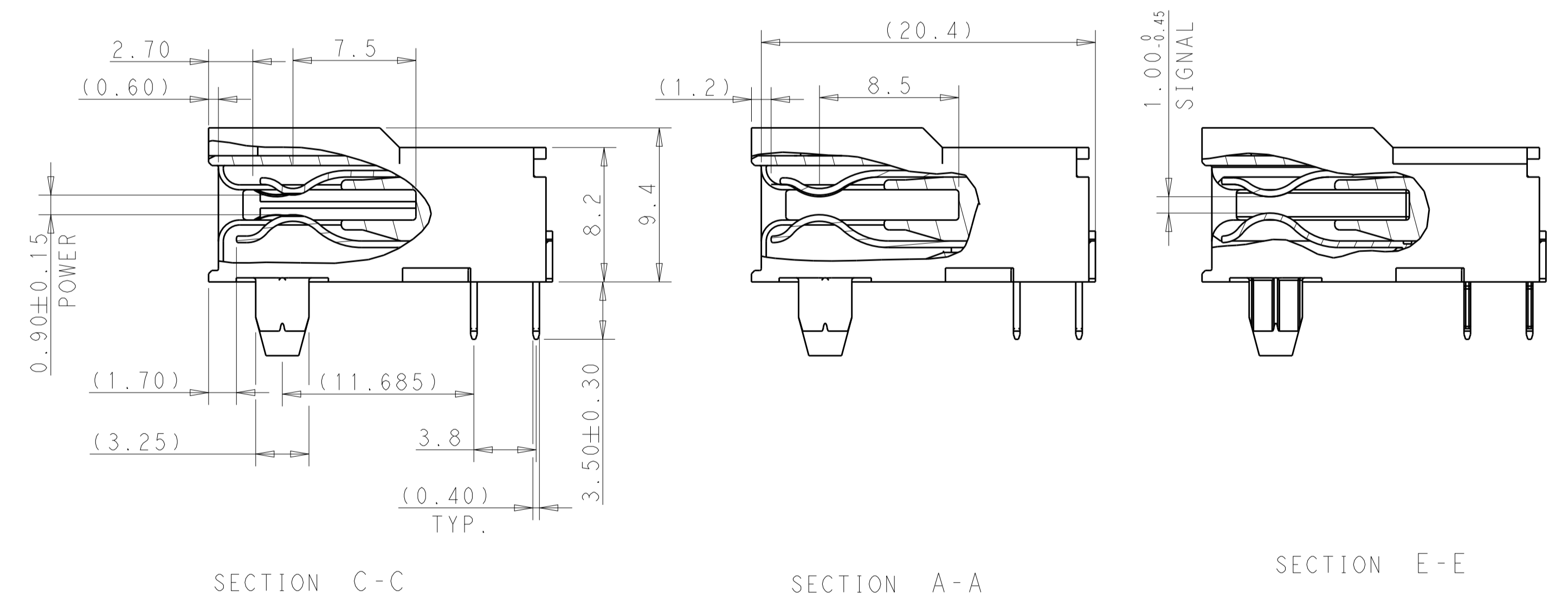
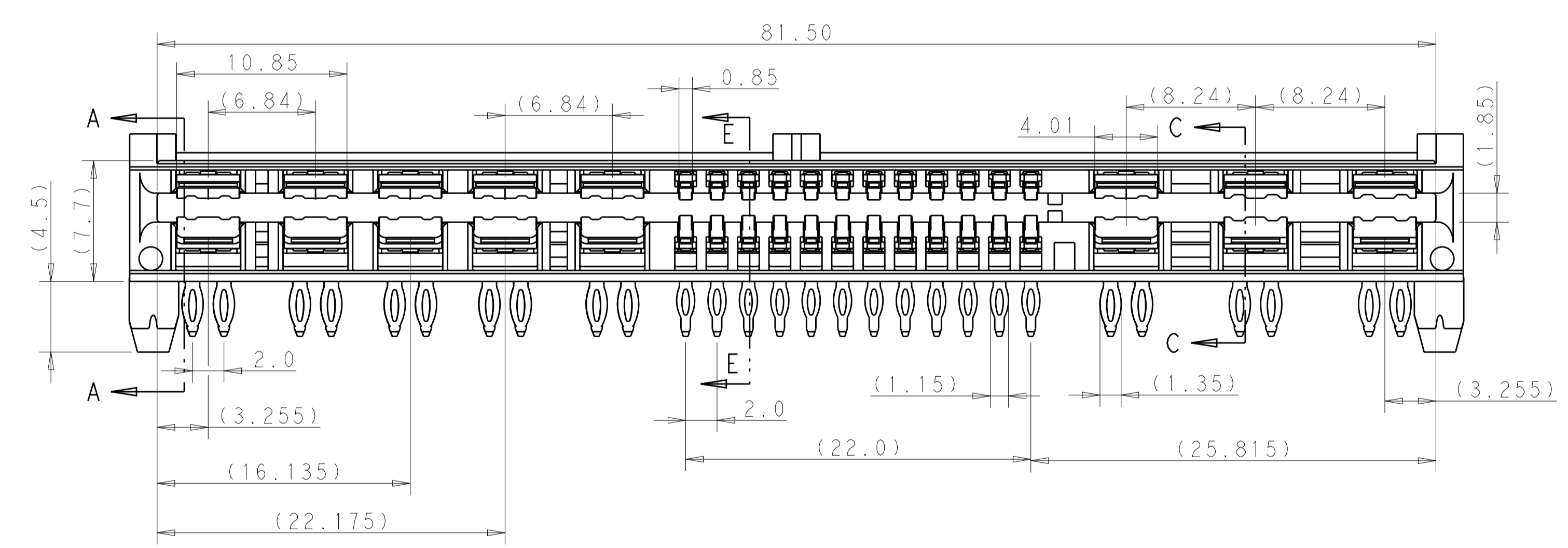
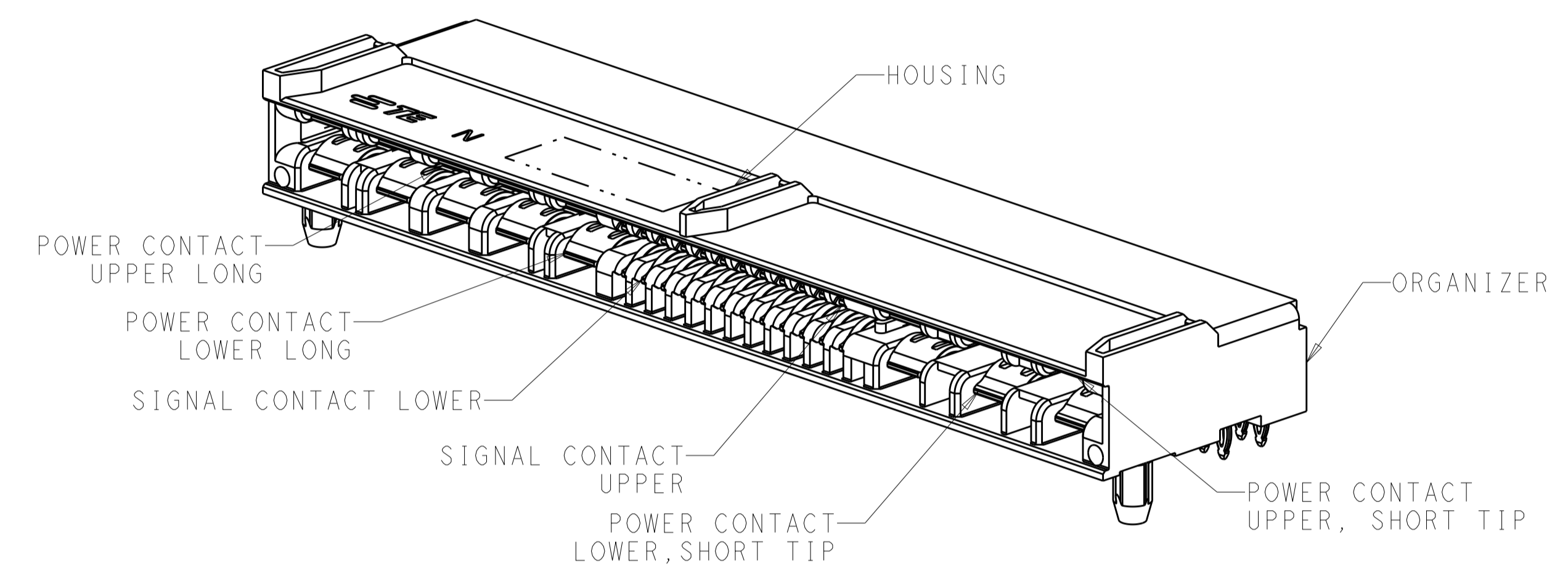
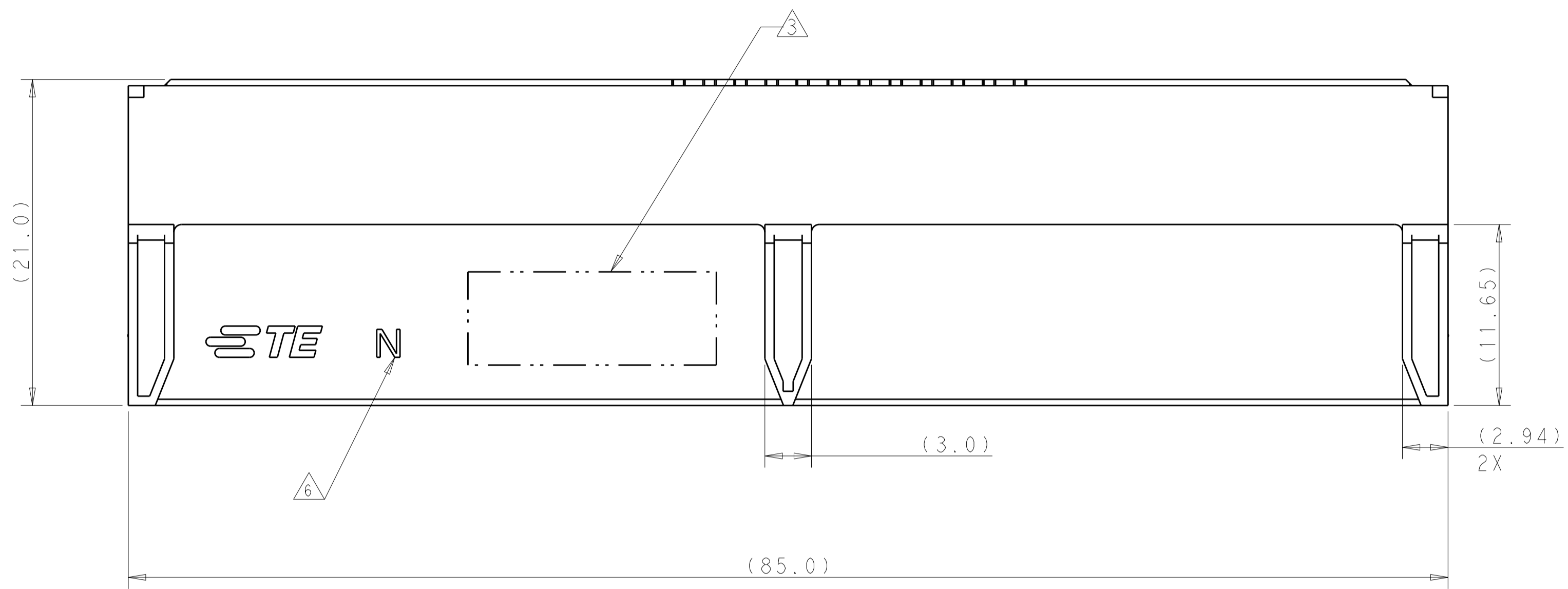


LOC		DIST		REVISIONS			
P	LTN	DESCRIPTION	DATE	DMN	APVD		
A5		ECO-16-018684	30DEC2016	SZ	SZ		
A6		ECO-17-007909	01JUN2017	SZ	SZ		
B		ECO-19-003551	11MAR2019	SZ	SZ		
B1		ECO-20-001857	07JAN2020	SZ	SZ		

- NOTES, UNLESS OTHERWISE SPECIFIED
- MATERIAL:
HOUSING - THERMOPLASTIC, GLASS PREINFORCED, COLOR, BLACK, UL 94V-0
CONTACTS- COPPER ALLOY.
 - FINISH:
MATING AREA - NOBLE METAL OVERALL NICKEL.
PRESS FIT - MATTE TIN OVERALL NICKEL.
 - MARK P/N AND DATA CODE IN APPROX. AREA AS SHOWN.
 - NO BURRS AND/OR SHARP EDGES ARE PERMISSIBLE.
 - DATUMS AND BASIC DIMENSIONS ESTABLISHED BY CUSTOMER.
 - THE MARK "N" MEANS NUMBER OF THE CAVITY.



PRODUCT P/N	DESCRIPTION	Q'TY
2170231-3 (PRELIMINARY)	POWER CONTACT, LOWER, SHORT TIP	2
	POWER CONTACT, UPPER, SHORT TIP	2
	SIGNAL CONTACT, UPPER	8
	SIGNAL CONTACT, LOWER	8
	POWER CONTACT UPPER LONG	6
	POWER CONTACT LOWER LONG	6
	ORGANIZER	1
	HOUSING	1
	HOUSING	1

2170231-2	POWER CONTACT, LOWER, SHORT TIP	2
	POWER CONTACT, UPPER, SHORT TIP	2
	SIGNAL CONTACT, UPPER	2
	SIGNAL CONTACT, LOWER	2
	POWER CONTACT UPPER LONG	6
	POWER CONTACT LOWER LONG	6
	ORGANIZER	1
2170231-1	POWER CONTACT, LOWER, SHORT TIP	2
	POWER CONTACT, UPPER, SHORT TIP	2
	SIGNAL CONTACT, UPPER	12
	SIGNAL CONTACT, LOWER	12
	POWER CONTACT UPPER LONG	6
	POWER CONTACT LOWER LONG	6
	ORGANIZER	1
	HOUSING	1
	HOUSING	1

THIS DRAWING IS A CONTROLLED DOCUMENT.

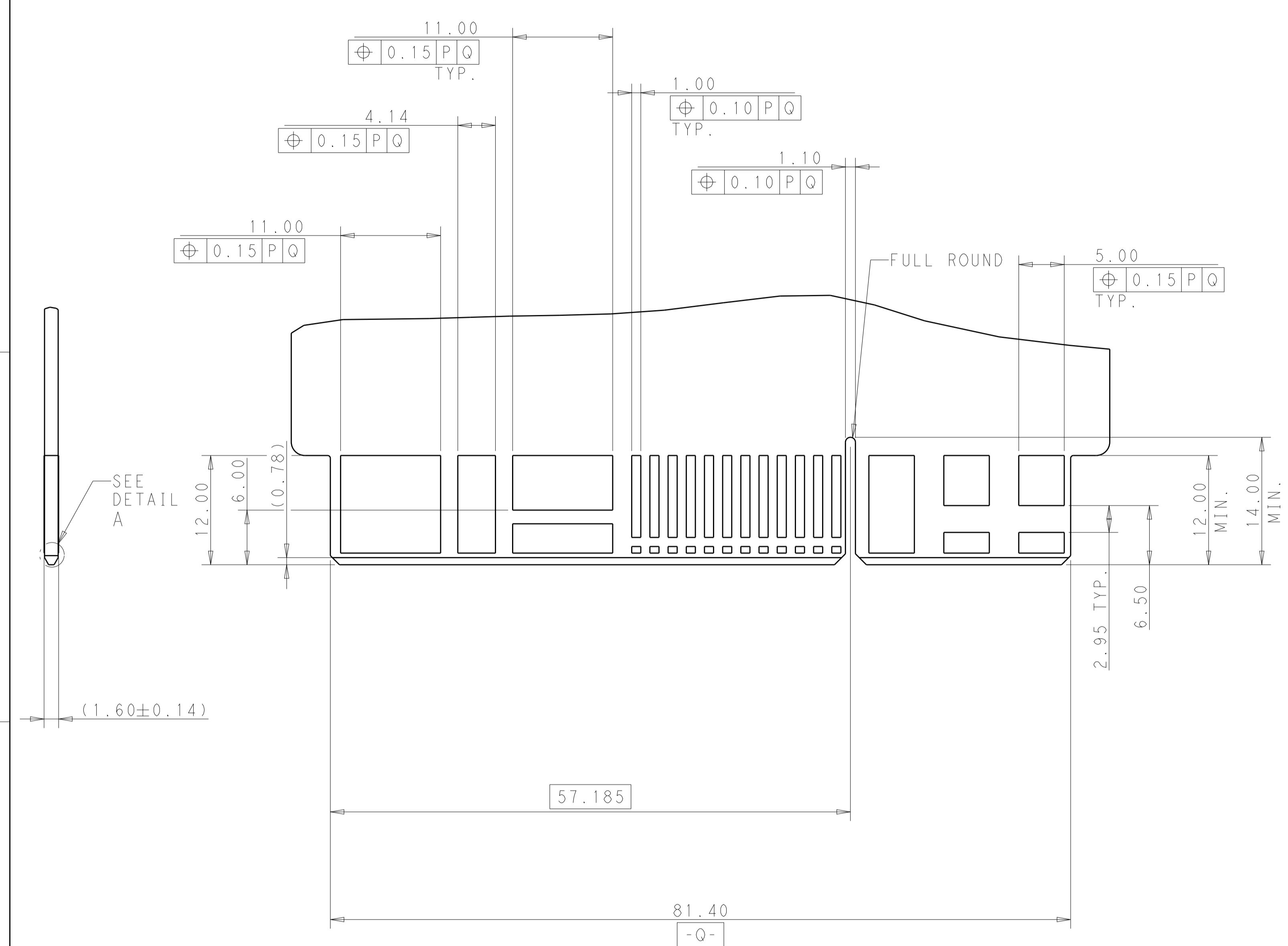
OWN: JEFF GONG 10JAN2012
CHK: ALEX SHOAL 10JAN2012
APVD: MANGIAN WANG 10JAN2012

NAME: HYBRID POWER CARD EDGE PRESS FIT LOW PROFILE
CAGE CODE: 108-60092
APPLICATION SPEC: 108-60092

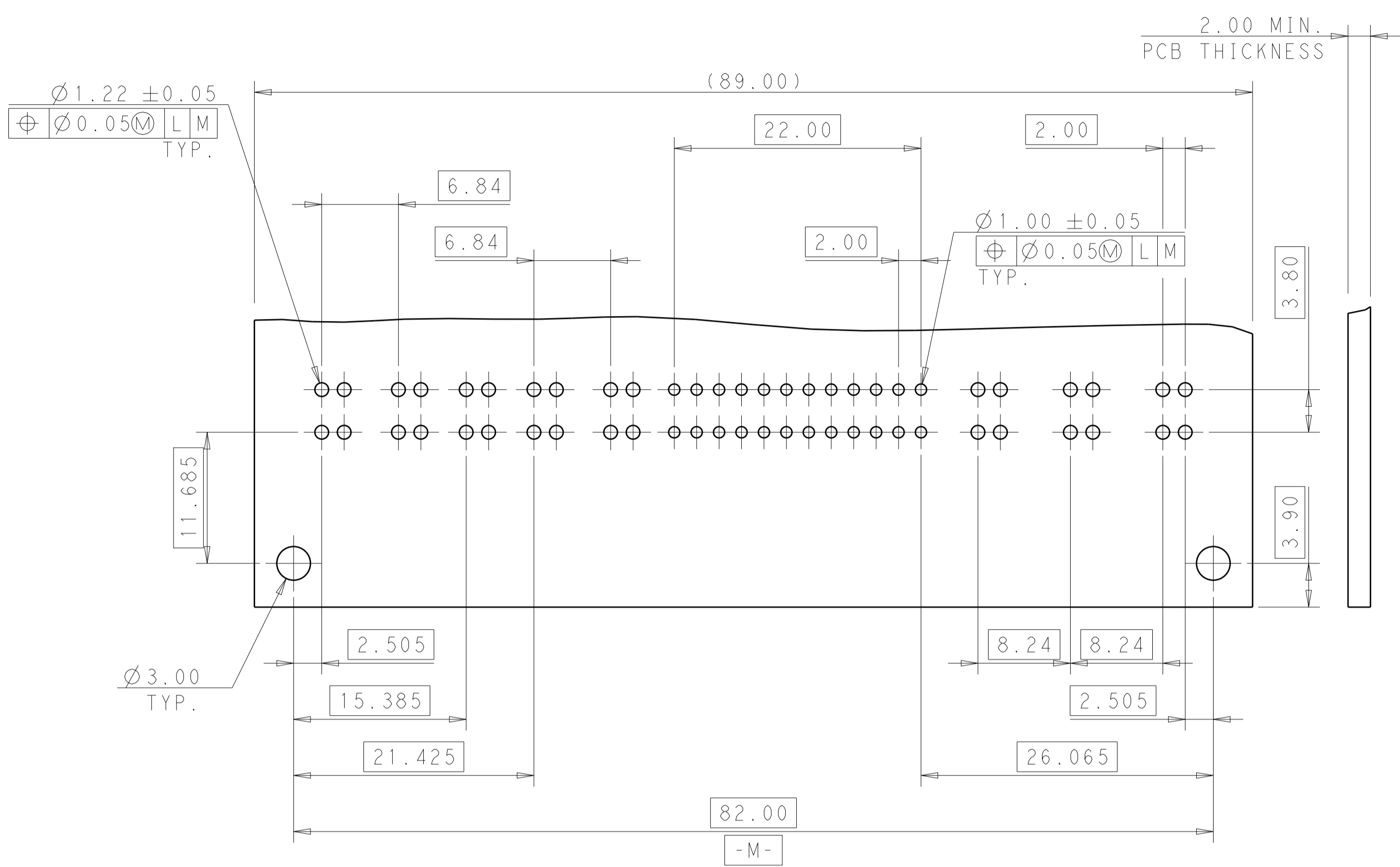
SCALE: 4:1 SHEET 1 OF 2

REV: B1

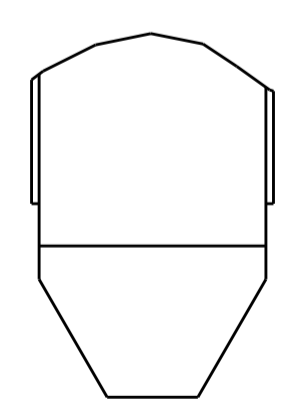
LOC		DIST		REVISIONS			
P	LTN	DATE	DMN	APVD	DESCRIPTION	DATE	DMN
-	-	-	-	-	SEE SHEET 1	-	-



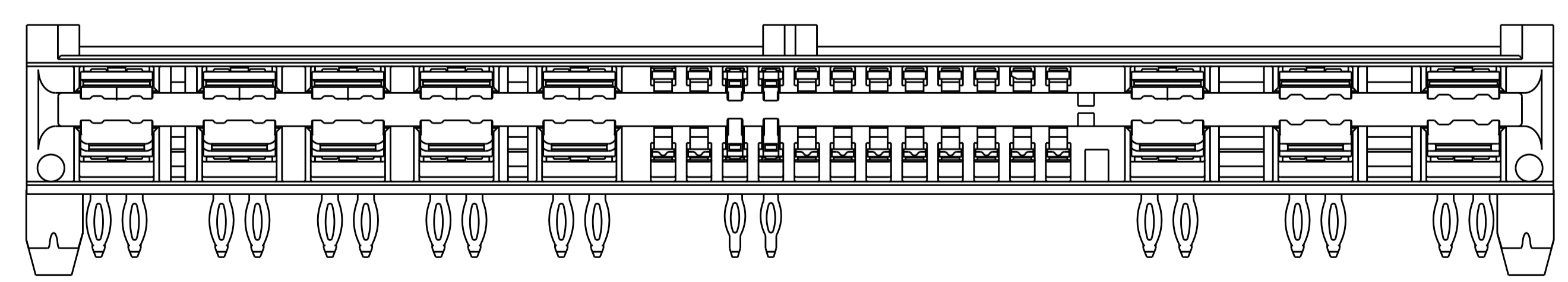
RECOMMENDED CARD EDGE CONFIGURATION
TYP. BOTH SIDE



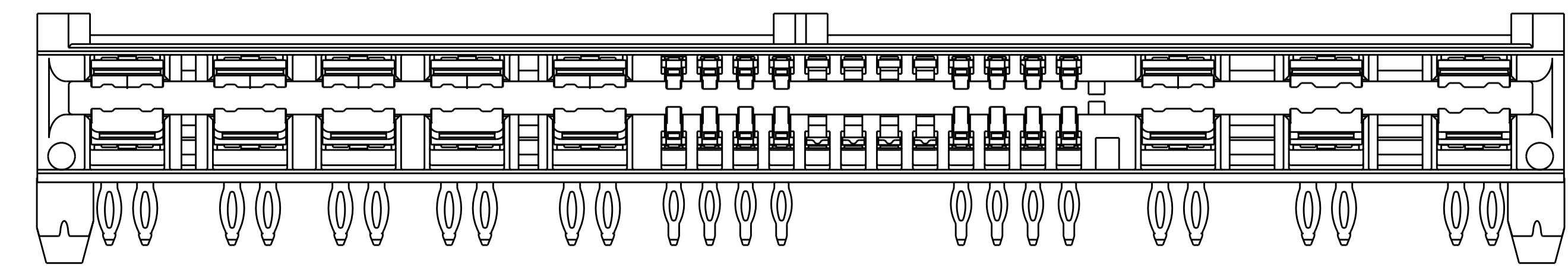
RECOMMENDED PRINTED CIRCUIT BOARD LAYOUT
COMPONENT SIDE



DETAIL A
SCALE 20:1



P/N: 2170231-2



P/N: 2170231-3

NOTES, UNLESS OTHERWISE SPECIFIED:

1. PLATED THROUGH HOLE, SIGNAL:
FINISHED HOLE SIZE: 1.00mm.
DRILL HOLE SIZE: 1.10±0.025mm.
2. PLATED THROUGH HOLE, POWER:
FINISHED HOLE SIZE: 1.22mm.
DRILL HOLE SIZE: 1.32±0.025mm.
3. COPPER PLATING THICKNESS: 0.025~0.05mm.
4. SURFACE FINISH: OSP OR IMMERSION TIN PLATING IS RECOMMENDED.

THIS DRAWING IS A CONTROLLED DOCUMENT.		DMN: JEFF GONG 10JAN2012	TE Connectivity
DIMENSIONS: mm		CHK: ALEX SHOAL 10JAN2012	
TOLERANCES UNLESS OTHERWISE SPECIFIED:		APVD: MANGIAN WANG 10JAN2012	NAME: HYBRID POWER CARD EDGE PRESS FIT LOW PROFILE PRODUCT SPEC: 108-60092 APPLICATION SPEC:
0 PLC ± 1 PLC ±0.2 2 PLC ±0.1 3 PLC ±0.05 4 PLC ± ANGLES ±2		SIZE: A1 CAGE CODE: 00779 DRAWING NO: 2170231	
MATERIAL:		WEIGHT:	RESTRICTED TO:
FINISH:		CUSTOMER DRAWING	SCALE: 4:1 SHEET 2 OF 2 REV: B1

X-ON Electronics

Largest Supplier of Electrical and Electronic Components

Click to view similar products for [I/O Connectors](#) category:

Click to view products by [TE Connectivity](#) manufacturer:

Other Similar products are found below :

[571763P](#) [58098-0628](#) [72.250.1628.2](#) [72.250.2428.2](#) [74720-0505](#) [76.350.0729.0](#) [76871-1403](#) [FCN-244F080-G/1](#) [FCN-260A9920](#) [PCR-E36PM](#) [PCS-XE26MA+](#) [G38A71314B](#) [DX40-50P\(55\)](#) [1571250010](#) [157-22500-3](#) [MS3471L14-19P L/C](#) [91-569786-35H](#) [172501-4002](#) [172501-6002](#) [FCN-260C008-A/L0](#) [FCN-260C024-AL0](#) [FCN-261Z008](#) [2000314-1](#) [200331-1](#) [PCR-E36FC+](#) [PCS-E28FS+](#) [PCS-XE26SLFD+](#) [PCS-XE26SLFDT+](#) [G730VID08BDC24](#) [U90B2054081210](#) [UE86K842720321](#) [38113800006](#) [DP3AR020WQ1R200](#) [Z4.102.0680.0](#) [500-1040](#) [500-1052](#) [500-1054](#) [ZP-4008-66L](#) [0709821002](#) [10-565995-597N](#) [DX40-20P\(55\)](#) [5554841-1](#) [MS3474W18-8P-LC*](#) [U90B3054061110](#) [U65-E04-4020](#) [ZPF000000000097891](#) [557-262M2-06C](#) [747360449](#) [10099439-003C-TRLF](#) [10137239-0021LF](#)