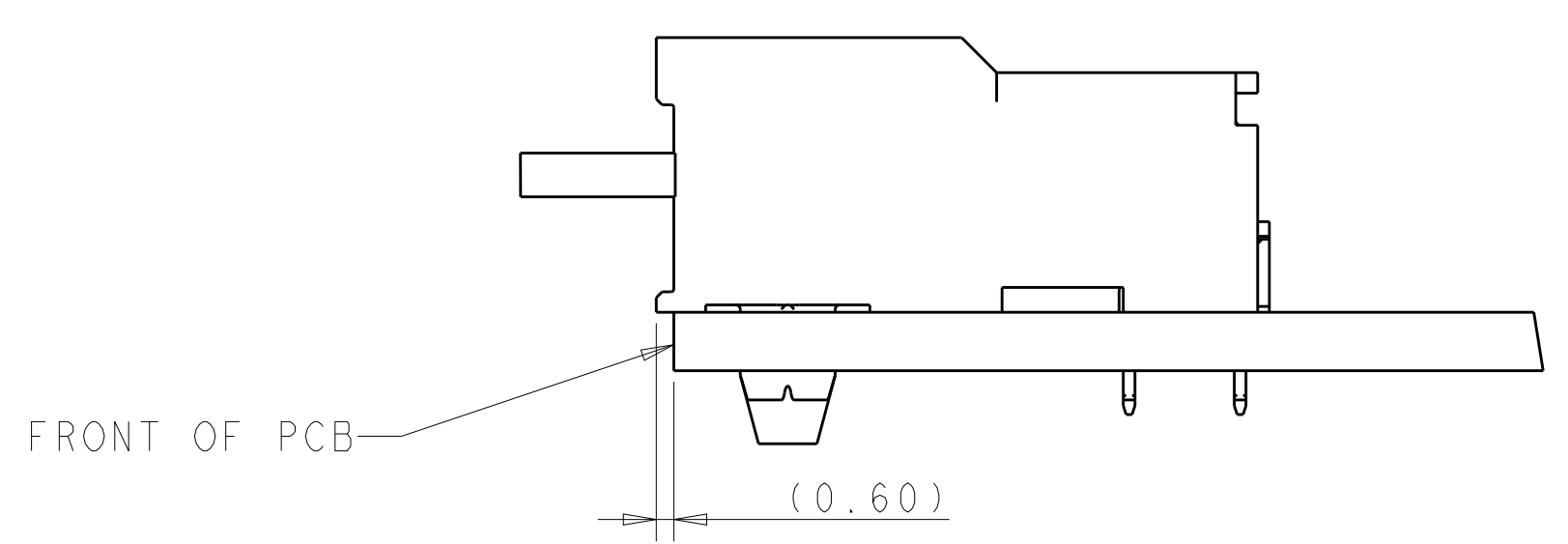
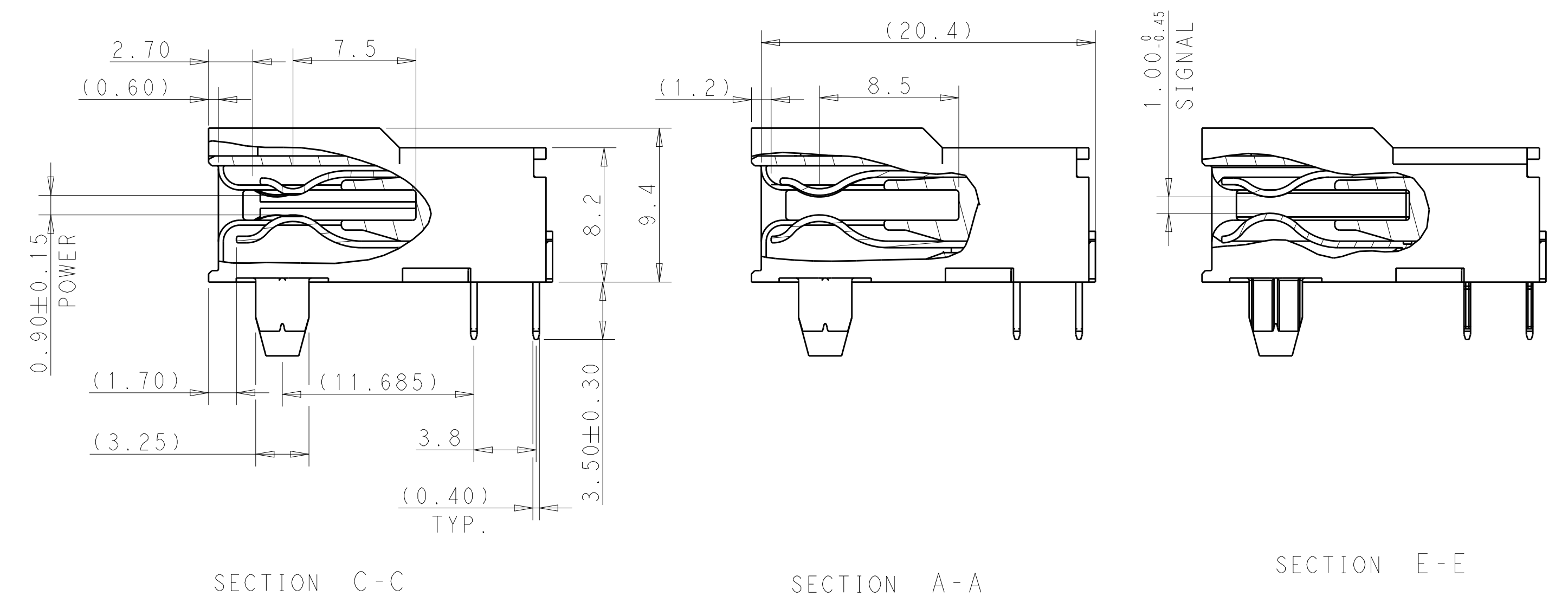
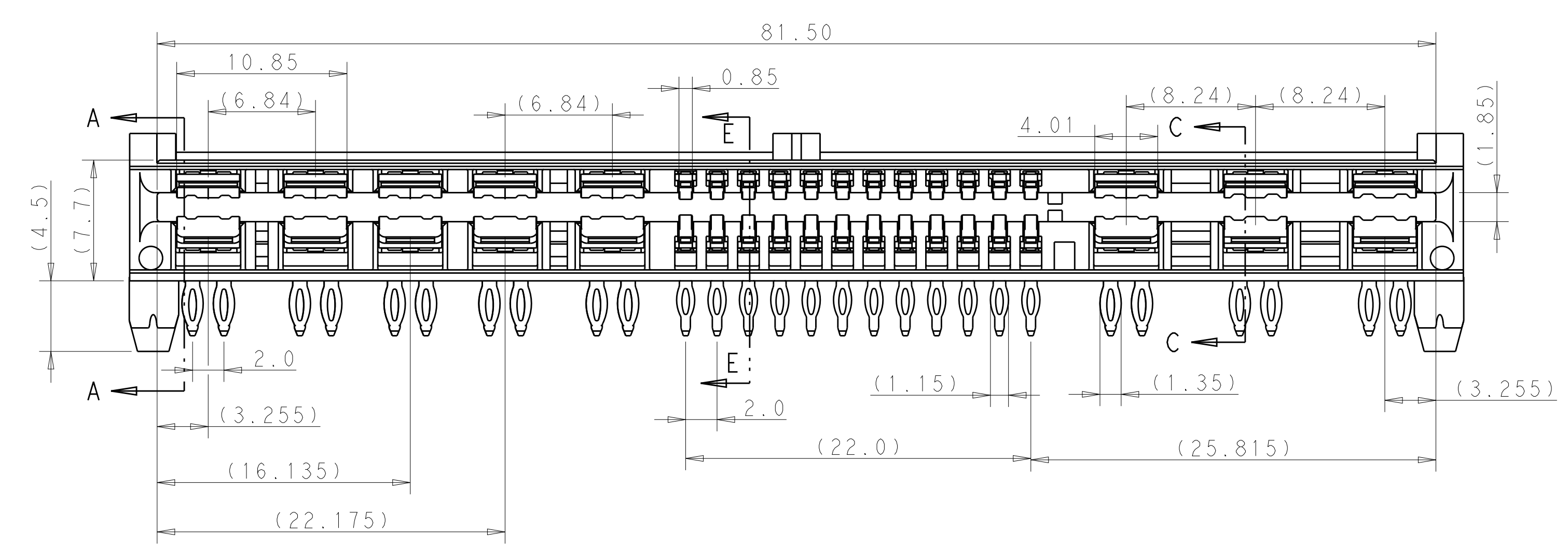
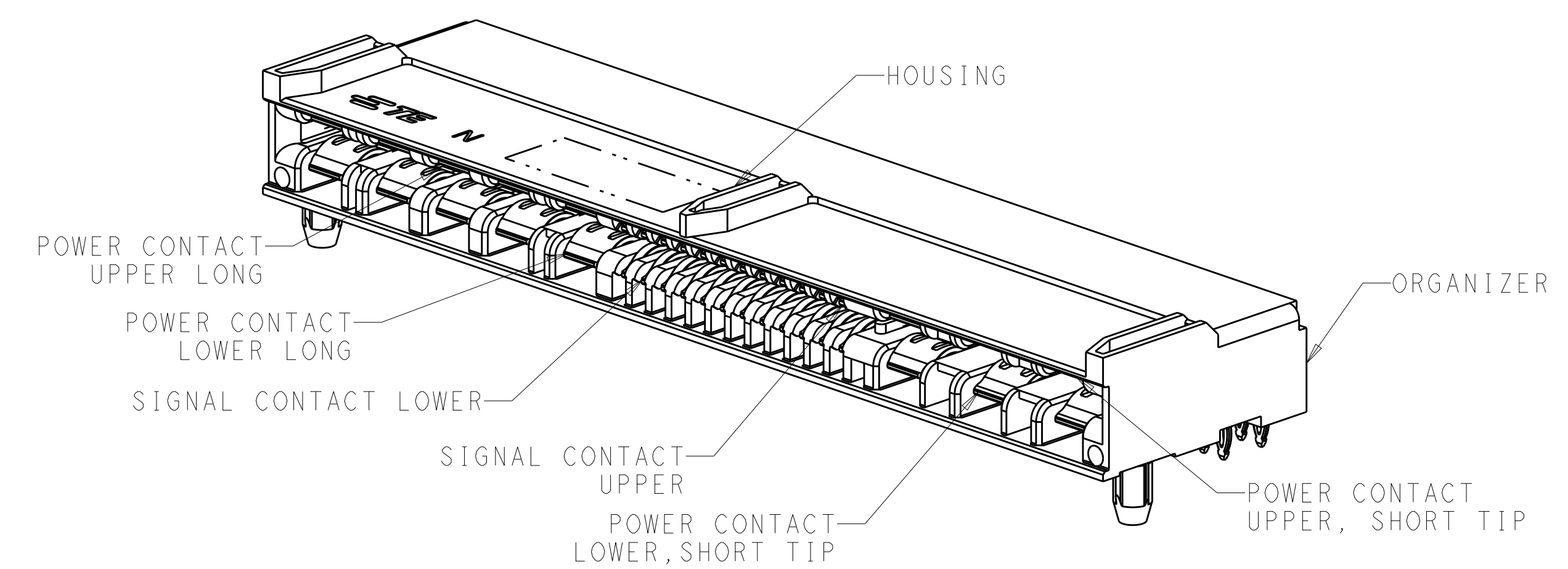
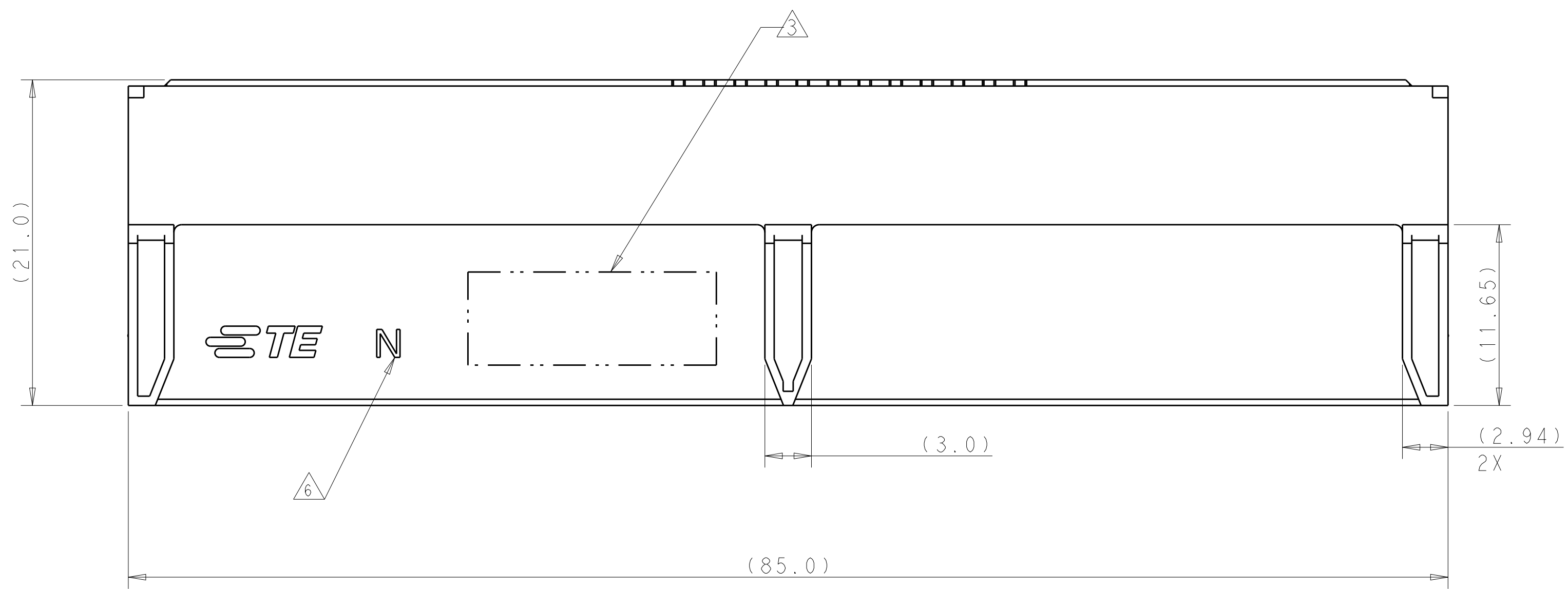


REVISONS		DATE	OWN	APVD
A5	ECO-16-018684	30DEC2016	SZ	SZ
A6	ECO-17-007909	01JUN2017	SZ	SZ
B	ECO-19-003551	11MAR2019	SZ	SZ
B1	ECO-20-001857	07JAN2020	SZ	SZ

- NOTES, UNLESS OTHERWISE SPECIFIED
- MATERIAL:
HOUSING - THERMOPLASTIC, GLASS PREINFORCED, COLOR, BLACK, UL 94V-0
CONTACTS- COPPER ALLOY.
 - FINISH:
MATING AREA - NOBLE METAL OVERALL NICKEL.
PRESS FIT - MATTE TIN OVERALL NICKEL.
 - MARK P/N AND DATA CODE IN APPROX. AREA AS SHOWN.
 - NO BURRS AND/OR SHARP EDGES ARE PERMISSIBLE.
 - DATUMS AND BASIC DIMENSIONS ESTABLISHED BY CUSTOMER.
 - THE MARK "N" MEANS NUMBER OF THE CAVITY.



PRODUCT P/N	DESCRIPTION	Q'TY
2170231-3 (PRELIMINARY)	POWER CONTACT, LOWER, SHORT TIP	2
	POWER CONTACT, UPPER, SHORT TIP	2
	SIGNAL CONTACT, UPPER	8
	SIGNAL CONTACT, LOWER	8
	POWER CONTACT UPPER LONG	6
	POWER CONTACT LOWER LONG	6
	ORGANIZER	1
	HOUSING	1

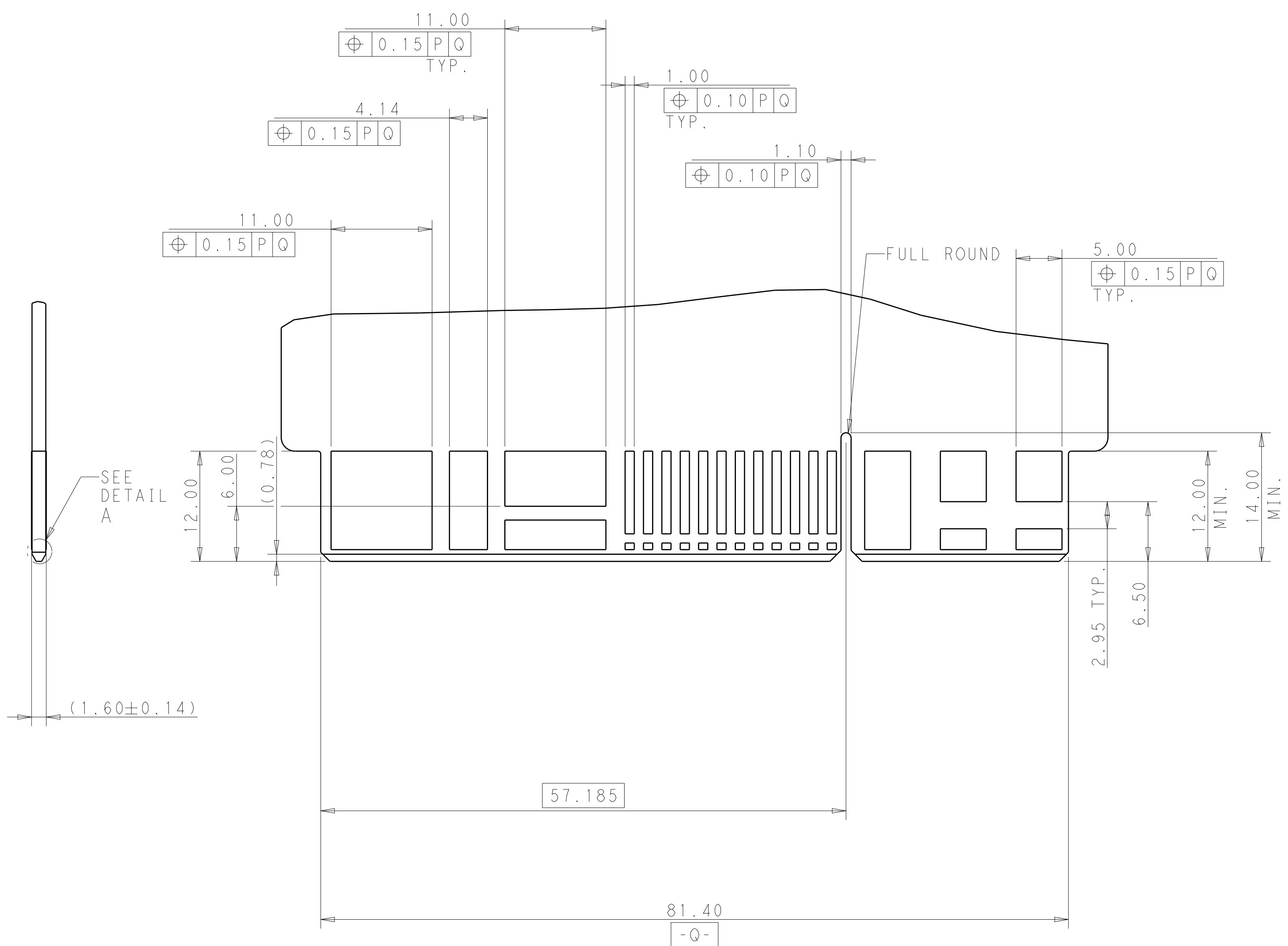
PRODUCT P/N	DESCRIPTION	Q'TY
2170231-2	POWER CONTACT, LOWER, SHORT TIP	2
	POWER CONTACT, UPPER, SHORT TIP	2
	SIGNAL CONTACT, UPPER	2
	SIGNAL CONTACT, LOWER	2
	POWER CONTACT UPPER LONG	6
	POWER CONTACT LOWER LONG	6
	ORGANIZER	1
	HOUSING	1
2170231-1	POWER CONTACT, LOWER, SHORT TIP	2
	POWER CONTACT, UPPER, SHORT TIP	2
	SIGNAL CONTACT, UPPER	12
	SIGNAL CONTACT, LOWER	12
	POWER CONTACT UPPER LONG	6
	POWER CONTACT LOWER LONG	6
	ORGANIZER	1
	HOUSING	1

THIS DRAWING IS A CONTROLLED DOCUMENT. DIMENSIONS: mm. TOLERANCES UNLESS OTHERWISE SPECIFIED: 0 PLC ±, 1 PLC ±0.2, 2 PLC ±0.1, 3 PLC ±0.05, 4 PLC ±, ANGLES ±. MATERIAL: FINISH: ±2. WEIGHT: CUSTOMER DRAWING. SCALE: 4:1. SHEET 1 OF 2. REV: B1.

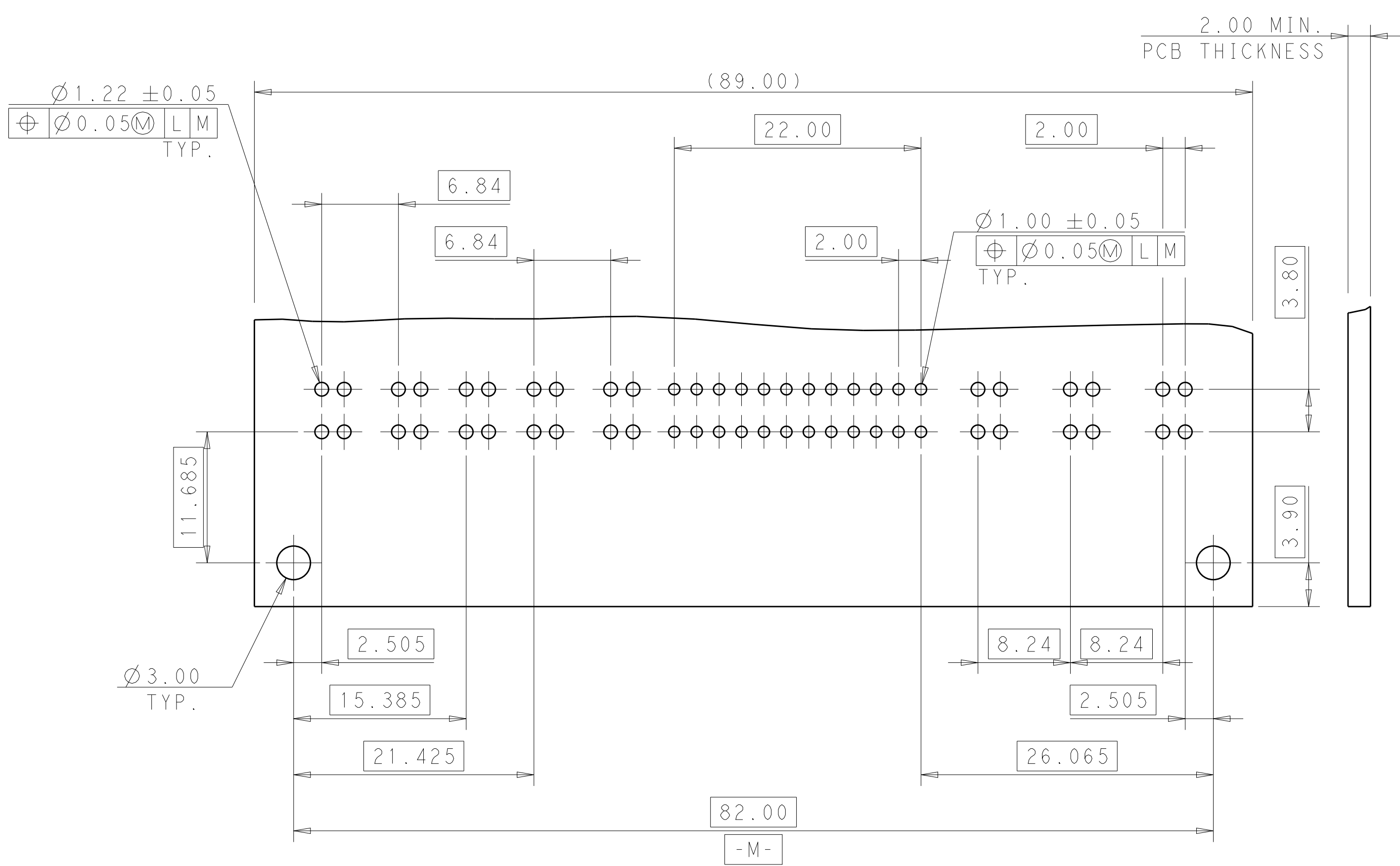
OWN: JEFF GONG 10JAN2012. CHG: ALEX SHOAL 10JAN2012. APVD: MANGIAN WANG 10JAN2012. NAME: HYBRID POWER CARD EDGE PRESS FIT LOW PROFILE. APPLICATION SPEC: 108-60092. SIZE: A100779. DRAWING NO: 2170231. RESTRICTED TO: B1.

STE TE Connectivity

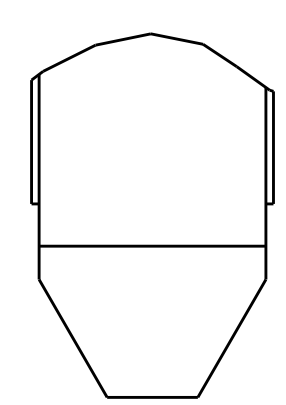
LOC	DIST	REV	DATE	BY	APPV
-	-	1	10JAN2012	JEFF GONG	
-	-	2	10JAN2012	ALEX SHOAL	
-	-	3	10JAN2012	WANGJIAN WANG	



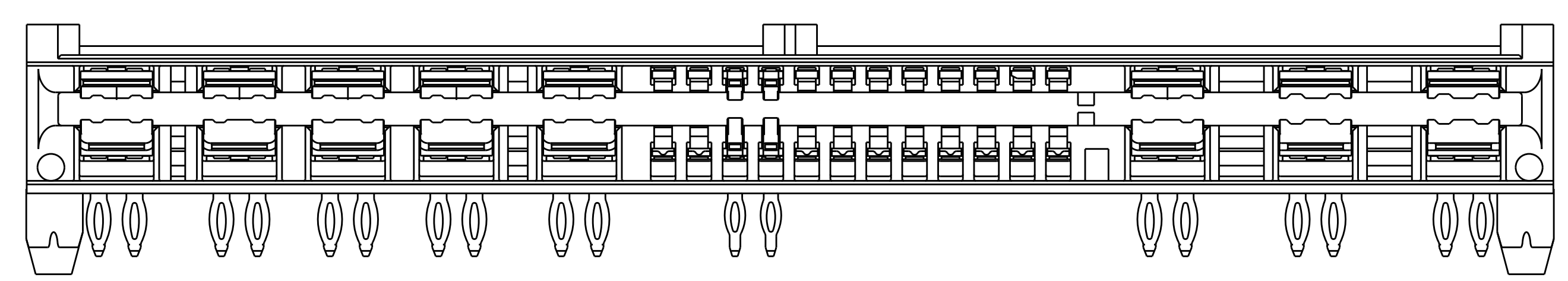
RECOMMENDED CARD EDGE CONFIGURATION
TYP. BOTH SIDE



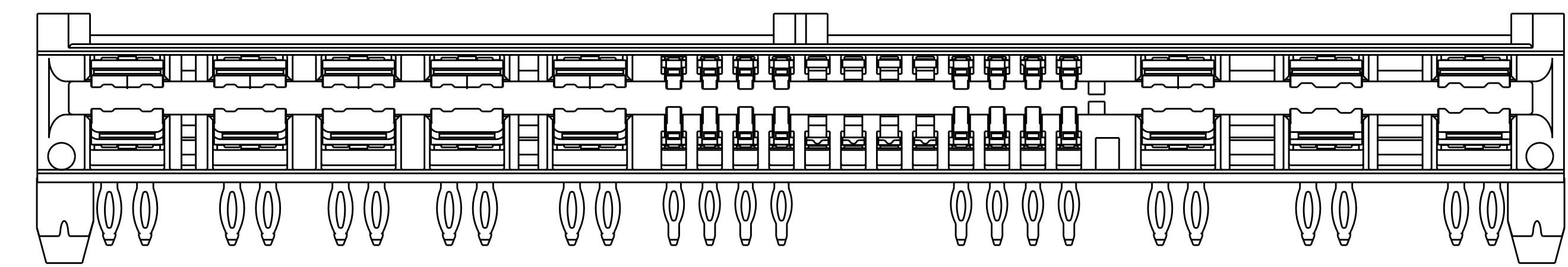
RECOMMENDED PRINTED CIRCUIT BOARD LAYOUT
COMPONENT SIDE



DETAIL A
SCALE 20:1



P/N: 2170231-2



P/N: 2170231-3

NOTES, UNLESS OTHERWISE SPECIFIED:

1. PLATED THROUGH HOLE, SIGNAL:
FINISHED HOLE SIZE: 1.00mm.
DRILL HOLE SIZE: 1.10±0.025mm.
2. PLATED THROUGH HOLE, POWER:
FINISHED HOLE SIZE: 1.22mm.
DRILL HOLE SIZE: 1.32±0.025mm.
3. COPPER PLATING THICKNESS: 0.025~0.05mm.
4. SURFACE FINISH: OSP OR IMMERSION TIN PLATING IS RECOMMENDED.

THIS DRAWING IS A CONTROLLED DOCUMENT.		OWN: JEFF GONG 10JAN2012	TE Connectivity
DIMENSIONS: mm		CHK: ALEX SHOAL 10JAN2012	
TOLERANCES UNLESS OTHERWISE SPECIFIED:		APPV: WANGJIAN WANG 10JAN2012	
0 PLC ± 1 PLC ±0.2 2 PLC ±0.1 3 PLC ±0.05 4 PLC ± ANGLES ±2		NAME: HYBRID POWER CARD EDGE PRESS FIT LOW PROFILE PRODUCT SPEC: 108-60092 APPLICATION SPEC:	
MATERIAL:	FINISH:	WEIGHT:	SIZE: A100779 CAGE CODE: C=2170231 CUSTOMER DRAWING:
		SCALE: 4:1	SHEET 2 OF 2 REV: B1

X-ON Electronics

Largest Supplier of Electrical and Electronic Components

Click to view similar products for [Standard Card Edge Connectors](#) category:

Click to view products by [TE Connectivity](#) manufacturer:

Other Similar products are found below :

[CR7E-30DB-3.96E\(72\)](#) [6364499-1](#) [6565204-6](#) [PKC-156](#) [1437274-4](#) [147889-1](#) [1489165-4](#) [EBT15622B2X](#) [1-582587-1](#) [284-0102-12100](#)
[286-0052-12101A](#) [306022901000000](#) [307-012-502-202](#) [307-056-520-300](#) [2129318-1](#) [245-062-520-350](#) [287-0032-12101](#) [306-028-525-102](#)
[307-072-526-202](#) [345-060-559-303](#) [392-008-559-201](#) [534671-1](#) [341-240-317](#) [345-044-500-300](#) [346-240-318](#) [395-100-524-300](#) [09-07-2032](#)
[10035388-802LF](#) [10115859-011LF](#) [10122859-009LF](#) [10127905-B04B24BLF](#) [530555-1](#) [5-678046-1](#) [73726-0005](#) [66308-1](#) [1-1437275-6](#)
[PEC-07-02-T-S-A](#) [346-014-520-801](#) [307-048-502-202](#) [CE100F22-9-C](#) [CE100F26-7-C](#) [CE100F28-3-D](#) [CE156F18-9-C](#) [CE156F22-5-D](#)
[CE156F22-9-C](#) [CT100F22-2-D](#) [CT100F22-3-D](#) [CT100F24-2-D](#) [CT100F24-3-D](#) [CT100F24-6-C](#)