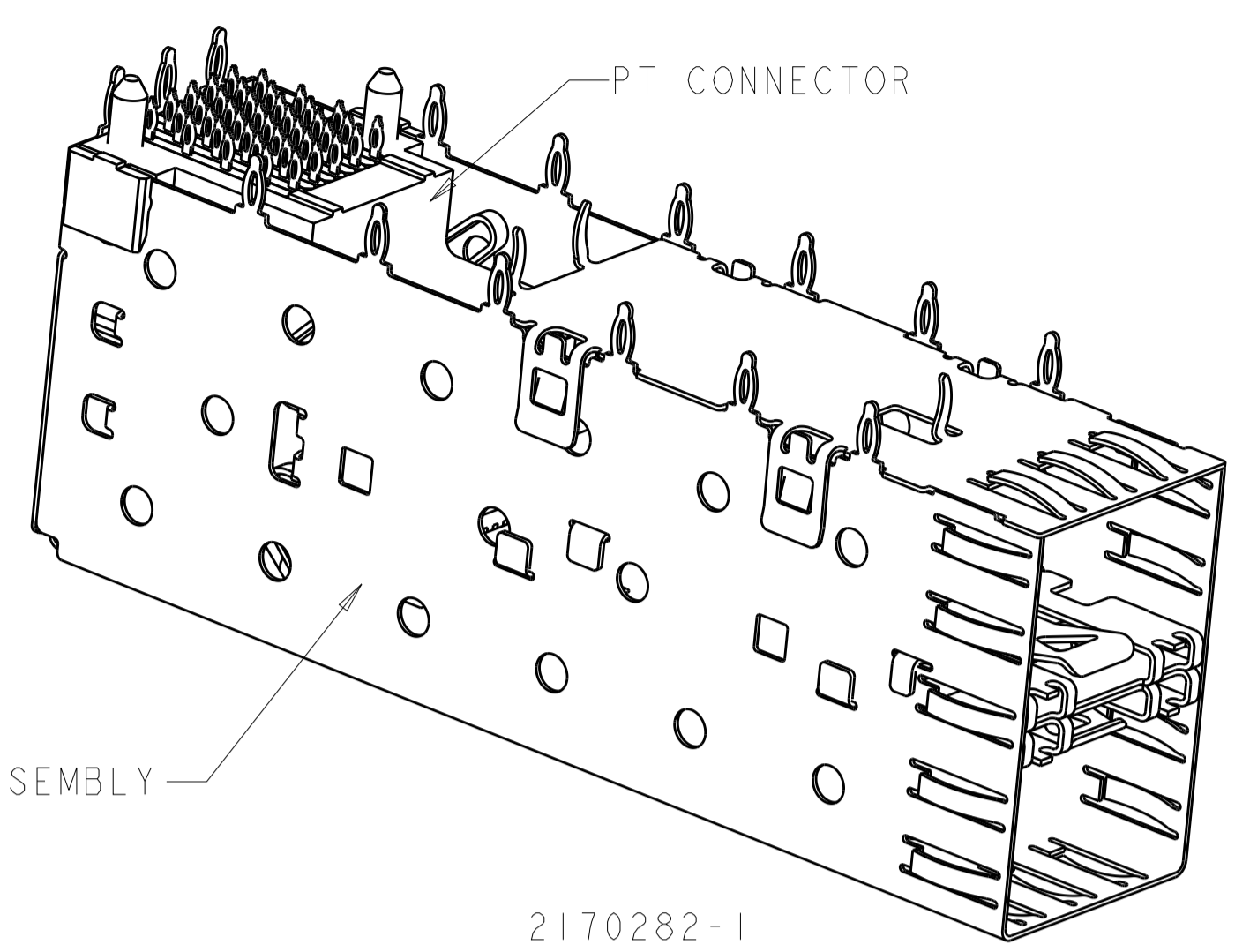
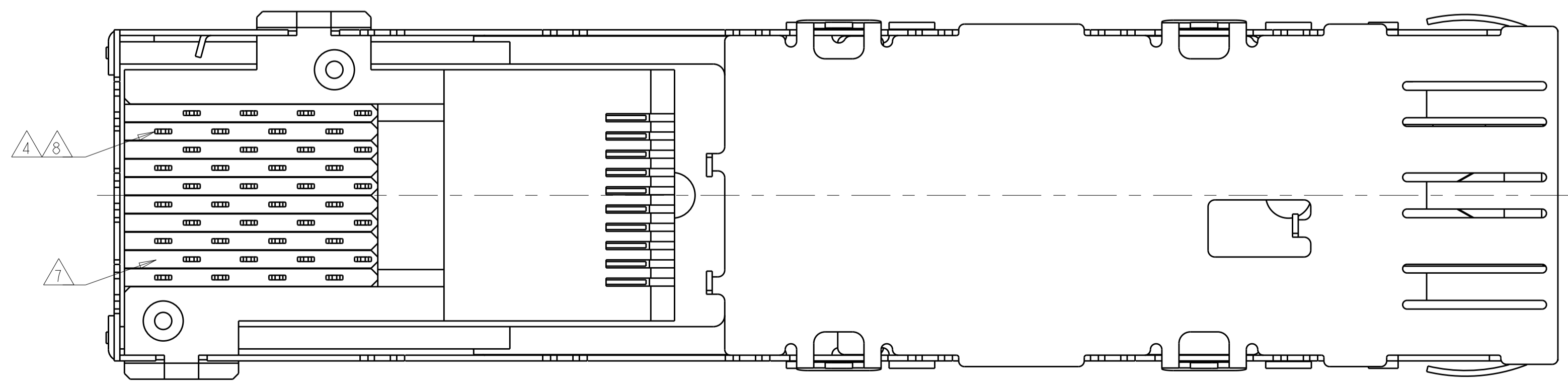
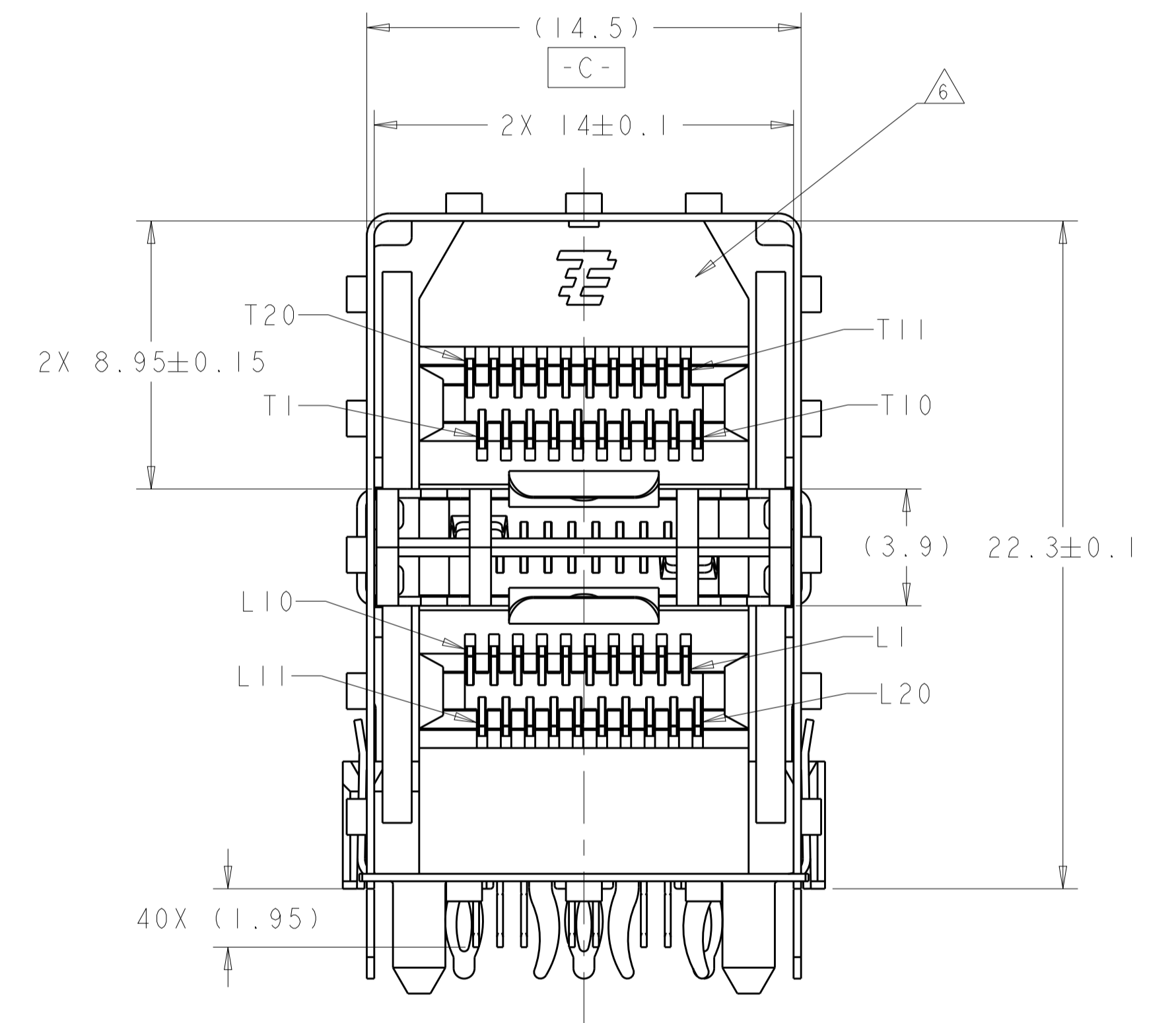
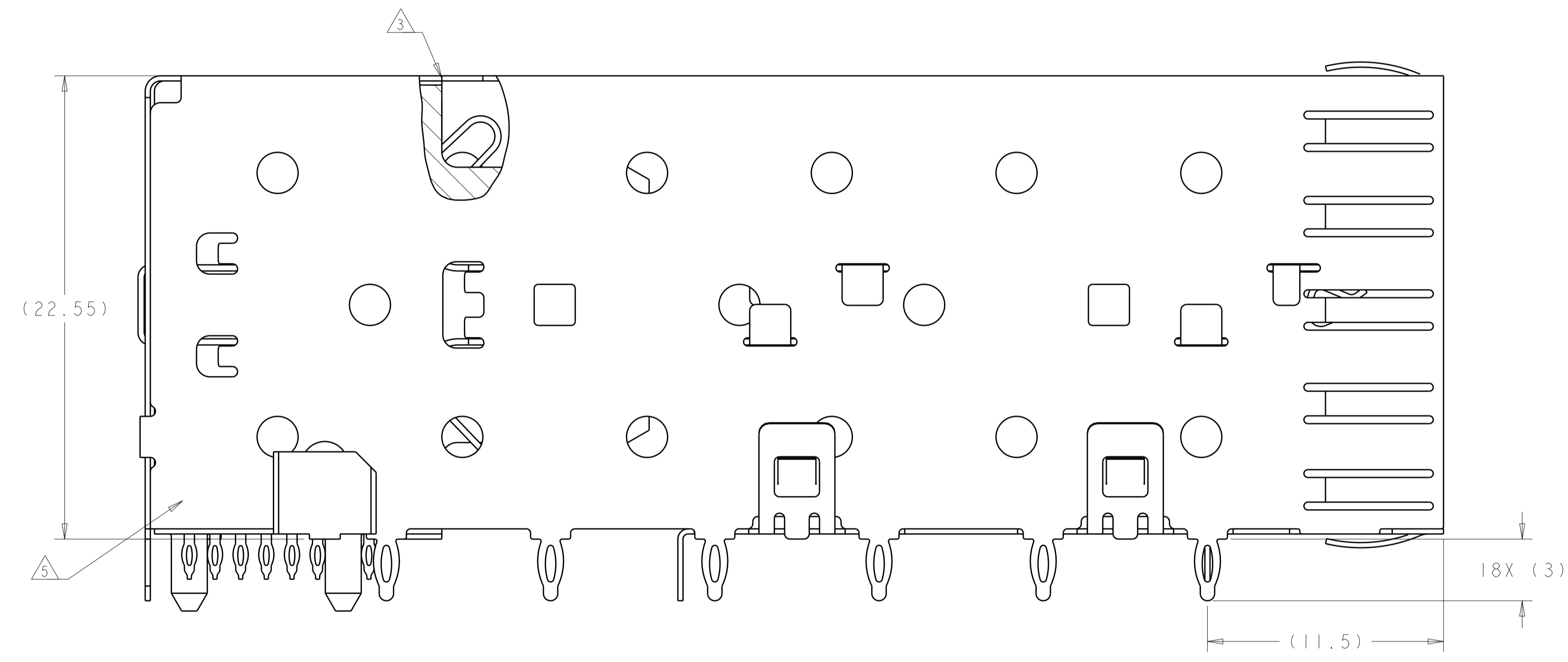


| LOC | DIST | REVISIONS | | | |
|-----|------|-------------|-----------|-----|------|
| P | LTN | DESCRIPTION | DATE | DWN | APVD |
| A | | RELEASED | 25FEB2016 | JW | SH |



2170282-1
SCALE 3:1

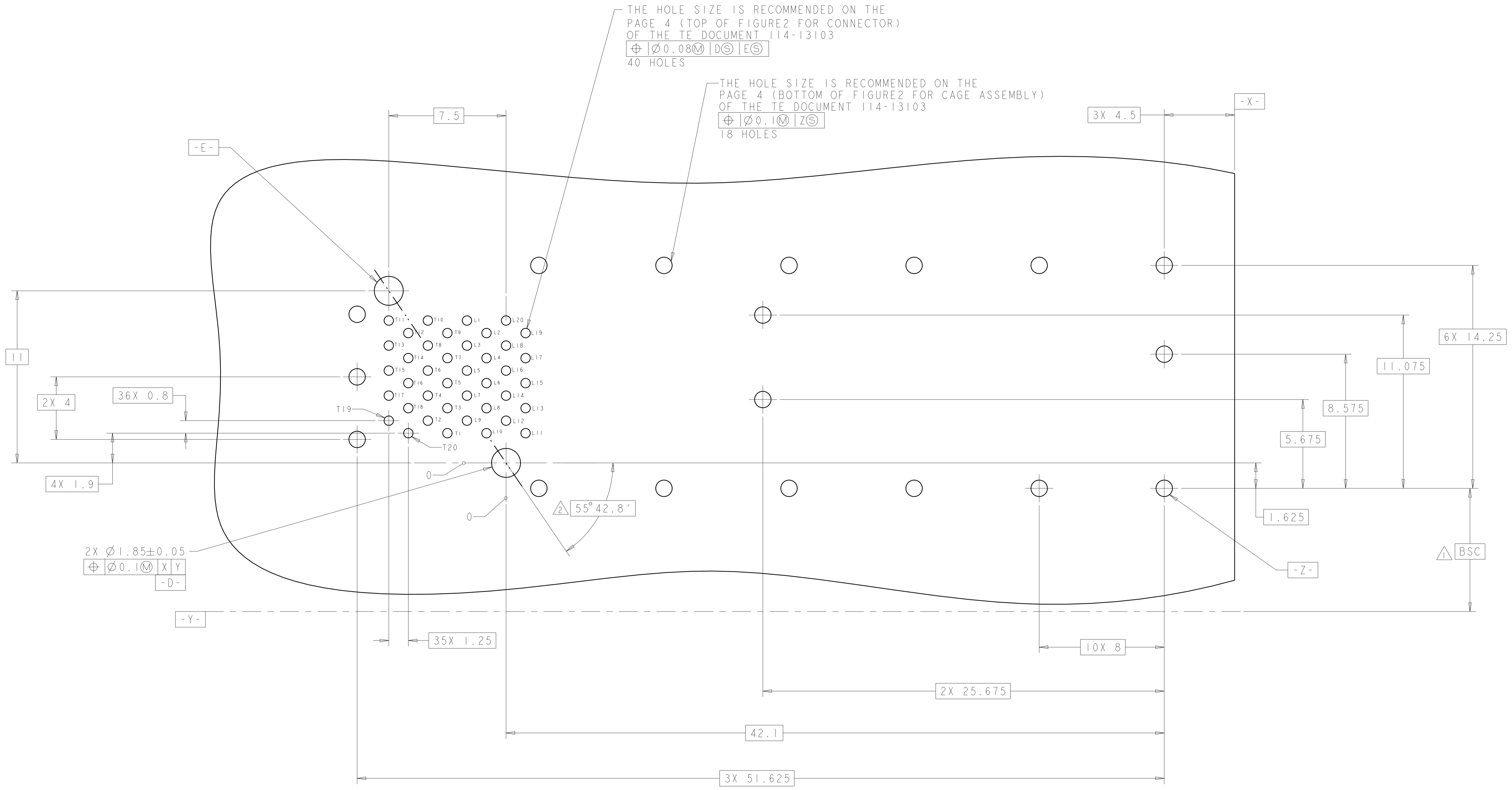
- 1 DATUM AND BASIC DIMENSION TO BE DETERMINED BY CUSTOMER.
- 2 INTERPRETATION OF DATUM REFERENCE FRAME IN ACCORDANCE WITH SECT 4.4.1.1 OF ASME Y14.5M-1994.
- 3 TOP OF PT CONNECTOR TO BE 0-0.15 FROM INSIDE SURFACE OF CAGE.
- 4 COPPER ALLOY.
- 5 NICKEL SILVER ALLOY (NO PLATING).
- 6 LCP, HIGH TEMPERATURE, UL 94V-0 RATED, BLACK.
- 7 POLYESTER, UL 94V-0 RATED, BLACK.
- 8 CONTACT MATING AREA: SURFACE TREATMENT OVER 0.76µm MIN GOLD PER ASTM B 488 OVER 1.27µm MIN NICKEL PER QQ-N-290. NEEDLE EYE: 1.25µm MIN TIN PER ASTM B 545 OVER 1.27µm MIN NICKEL PER QQ-N-290. REMAINDER OF CONTACT: 0.76µm MIN NICKEL PER QQ-N-290.



2170282-1
PART NUMBER

| | | | | |
|--|------------|-----------------------------|--|--|
| THIS DRAWING IS A CONTROLLED DOCUMENT. | | DWN: JASON YANG 21FEB2012 | TE Connectivity | |
| DIMENSIONS: mm | | CHK: ALEX CAI 21FEB2012 | | |
| TOLERANCES UNLESS OTHERWISE SPECIFIED: | | APVD: ALEX CAI 21FEB2012 | NAME: CAGE AND PT CONNECTOR ASSEMBLY, 2x1, PRESS FIT, LOW PROFILE, SFP | |
| 0 PLC ± | 1 PLC ±0.1 | PRODUCT SPEC: 108-2161 | SIZE: CAGE CODE DRAWING NO: A100779C=2170282 | |
| 2 PLC ± | 3 PLC ± | APPLICATION SPEC: 114-13103 | RESTRICTED TO: - | |
| 4 PLC ± | ANGLES ± | WEIGHT: - | SCALE: 1:1 SHEET 1 OF 3 REV A | |
| MATERIAL: - | FINISH: - | CUSTOMER DRAWING | | |

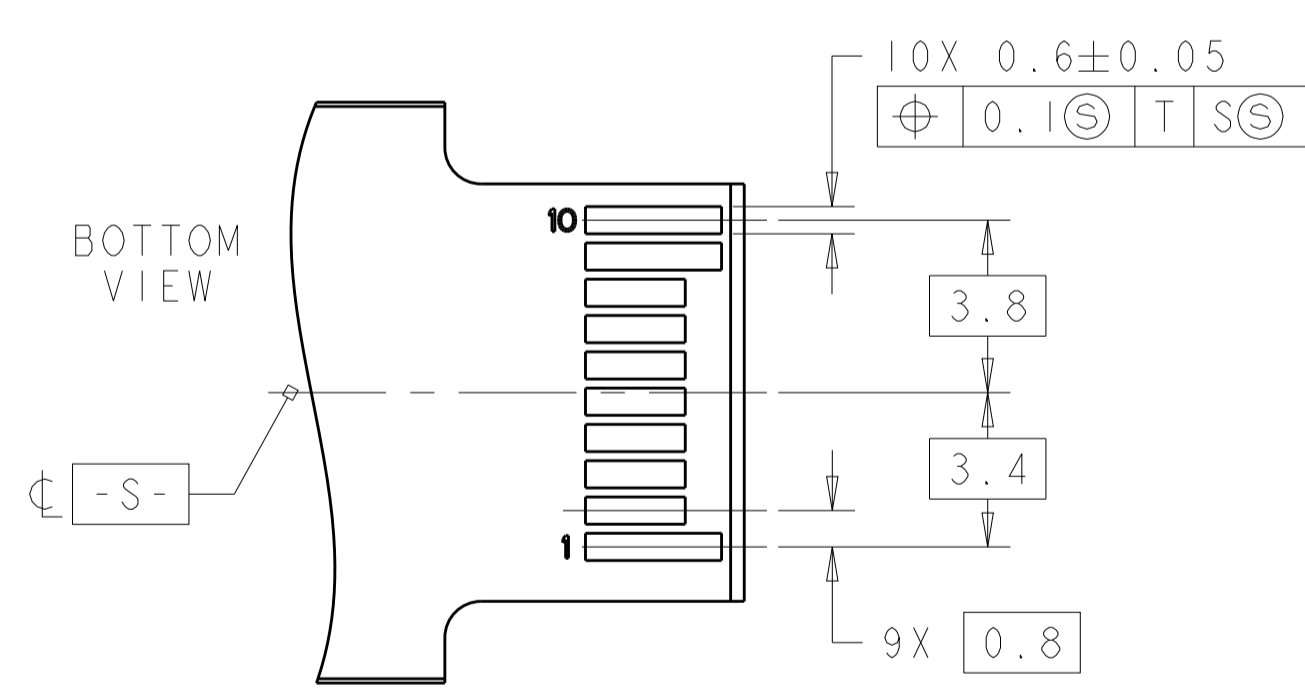
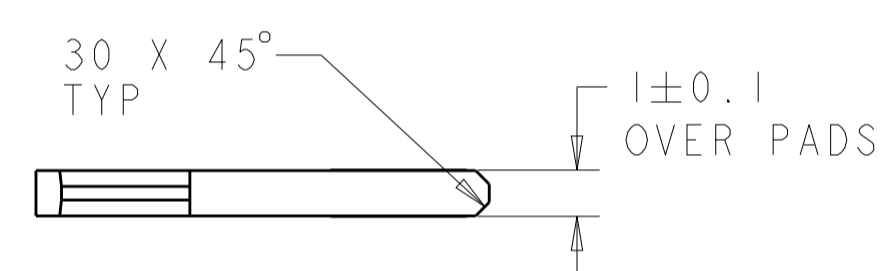
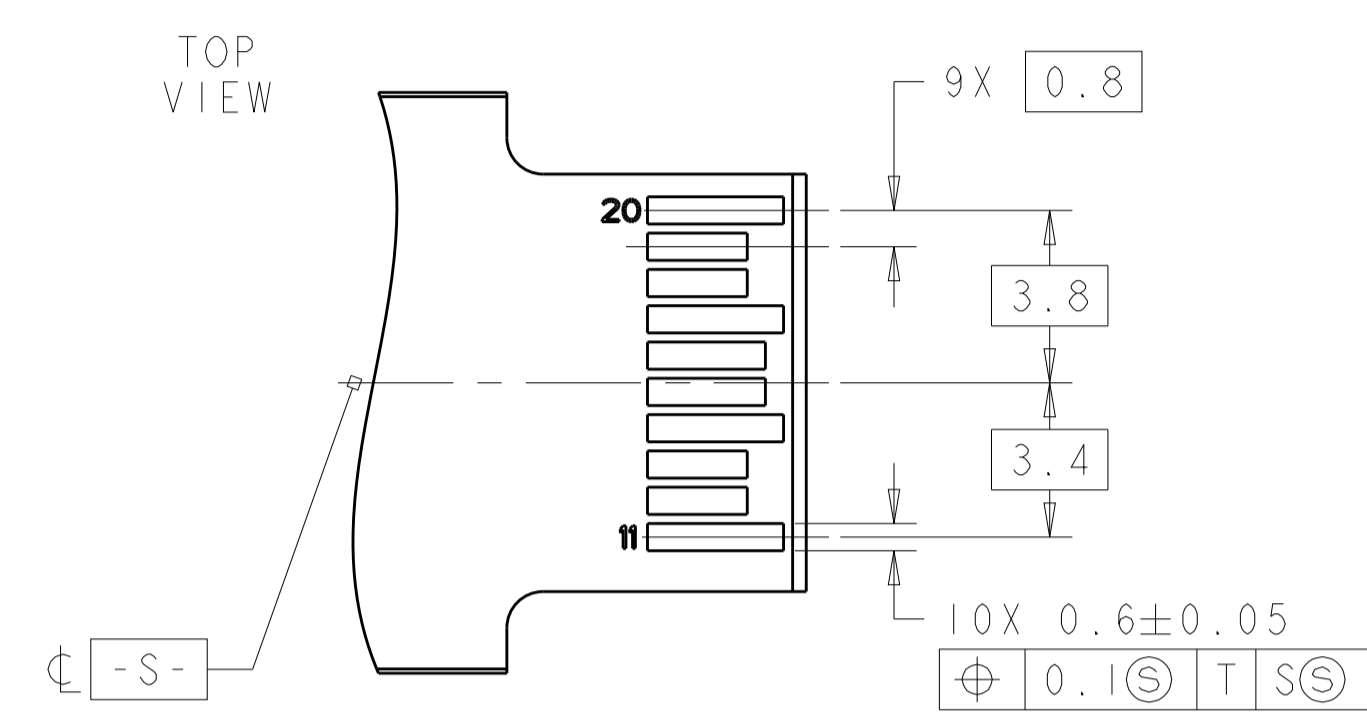
| LOC | DIST | REVISIONS | | | | | |
|-----|------|-----------|-----|-------------|------|-----|------|
| | | P. | LTN | DESCRIPTION | DATE | OWN | APVD |
| ES | 00 | - | - | SEE SHEET 1 | - | - | - |
| | | | | | | | |
| | | | | | | | |



SCALE 8:1

| | | | |
|--|--|--|---|
| THIS DRAWING IS A CONTROLLED DOCUMENT. | | OWN: JASON YANG 21FEB2012 | |
| DIMENSIONS: mm | | CHK: ALEX CAI 21FEB2012 | |
| TOLERANCES UNLESS OTHERWISE SPECIFIED: | | APVD: ALEX CAI 21FEB2012 | CAGE AND PT CONNECTOR ASSEMBLY, 2x1, PRESS FIT, LOW PROFILE, SFP |
| 0 PLC ± | | PRODUCT SPEC 108-2161 | |
| 1 PLC ±0.1 | | APPLICATION SPEC 114-13103 | |
| 2 PLC ± | | SIZE: CAGE CODE DRAWING NO: A100779C=2170282 | |
| 3 PLC ± | | WEIGHT: - | RESTRICTED TO: - |
| 4 PLC ± | | CUSTOMER DRAWING | SCALE: 1:1 SHEET 2 OF 3 REV A |
| ANGLES ± | | | |
| FINISH - | | | |

| LOC | | DIST | | REVISIONS | | | |
|-----|----|------|-----|-------------|------|-----|------|
| ES | 00 | P | LTN | DESCRIPTION | DATE | DWN | APVD |
| | | - | | SEE SHEET 1 | | | |
| | | | | | | | |
| | | | | | | | |



RECOMMENDED LAYOUT FOR
 MATING TRANSCEIVER PCB
 SCALE 6:1

| | | | |
|--|------------|---------------------------|--|
| THIS DRAWING IS A CONTROLLED DOCUMENT. | | DWN: JASON YANG 21FEB2012 | TE Connectivity |
| | | CHK: ALEX CAI 21FEB2012 | |
| DIMENSIONS: | | APVD: ALEX CAI 21FEB2012 | NAME: CAGE AND PT CONNECTOR ASSEMBLY, 2x1, PRESS FIT, LOW PROFILE, SFP |
| TOLERANCES UNLESS OTHERWISE SPECIFIED: | | PRODUCT SPEC | |
| mm | 0 PLC ± | 108-2161 | SIZE: CAGE CODE DRAWING NO. RESTRICTED TO A100779C=2170282 |
| | 1 PLC ±0.1 | APPLICATION SPEC | |
| | 2 PLC ± | 114-13103 | WEIGHT: - CUSTOMER DRAWING |
| | 3 PLC ± | | |
| | 4 PLC ± | | SCALE: 8:1 SHEET 3 OF 3 REV A |
| | ANGLES ± | | |
| MATERIAL: - | FINISH: - | | |

X-ON Electronics

Largest Supplier of Electrical and Electronic Components

Click to view similar products for [I/O Connectors](#) category:

Click to view products by [TE Connectivity](#) manufacturer:

Other Similar products are found below :

[571763P](#) [58098-0628](#) [72.250.1628.2](#) [72.250.2428.2](#) [74720-0505](#) [76.350.0729.0](#) [76871-1403](#) [FCN-244F080-G/1](#) [FCN-260A9920](#) [PCR-E36PM](#) [PCS-XE26MA+](#) [G38A71314B](#) [1571250010](#) [157-22500-3](#) [MS3471L14-19P L/C](#) [172501-4002](#) [172501-6002](#) [FCN-260C008-A/L0](#) [FCN-260C024-AL0](#) [FCN-261Z008](#) [2000314-1](#) [200331-1](#) [PCR-E36FC+](#) [PCS-E28FS+](#) [PCS-XE26SLFD+](#) [PCS-XE26SLFDT+](#) [G730VID08BDC24](#) [U90B2054081210](#) [38113800006](#) [DP3AR020WQ1R200](#) [Z4.102.0680.0](#) [500-1040](#) [500-1052](#) [500-1054](#) [ZP-4008-66L](#) [0709821002](#) [DX40-20P\(55\)](#) [5554841-1](#) [MS3474W18-8P-LC*](#) [U90B3054061110](#) [U65-E04-4020](#) [ZPF000000000097891](#) [747360449](#) [10099439-003C-TRLF](#) [10137239-0021LF](#) [E9320-001-01](#) [10137239-0011LF](#) [70289-001LF](#) [70.060.1028.0](#) [109029-ZZ](#)