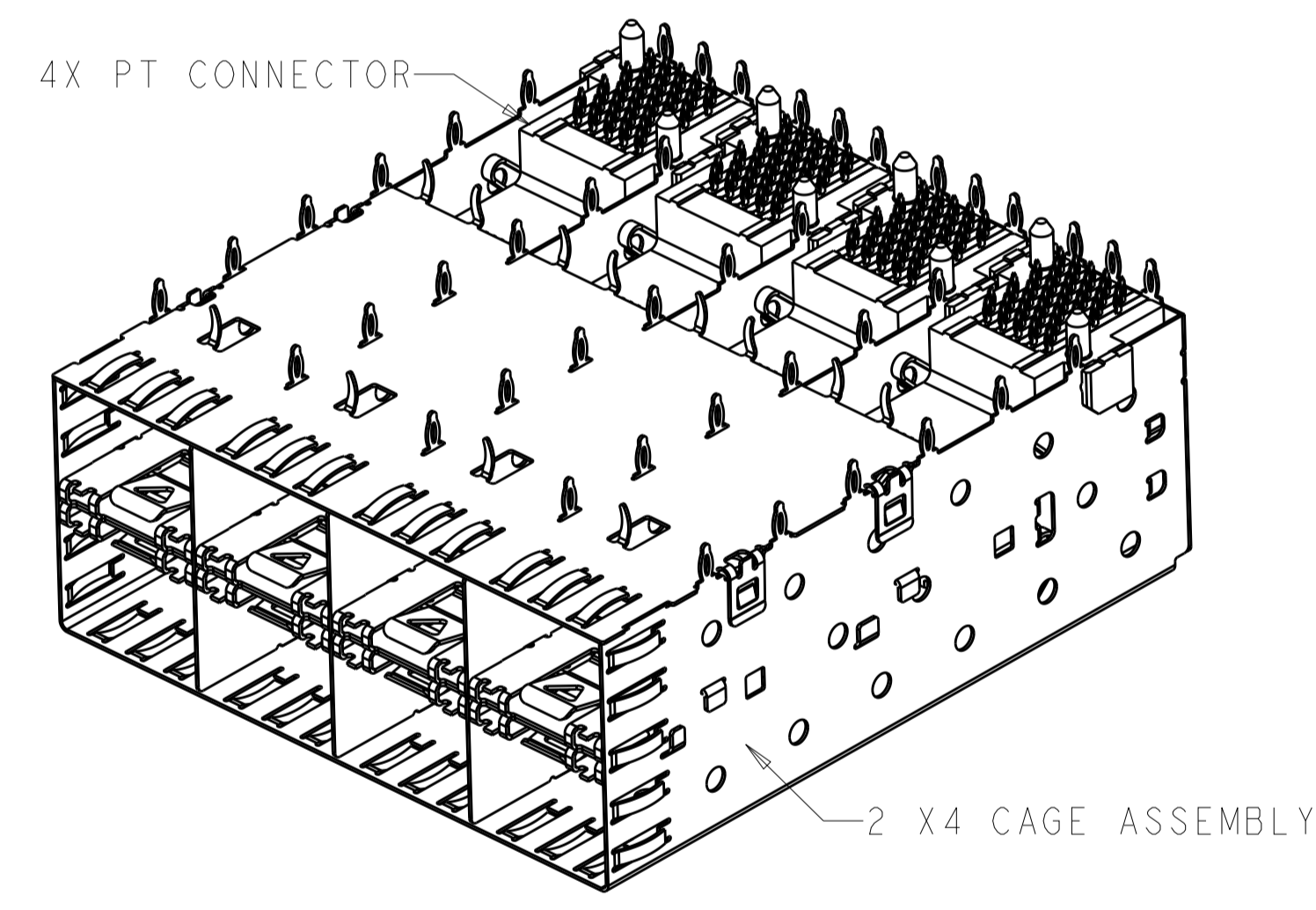
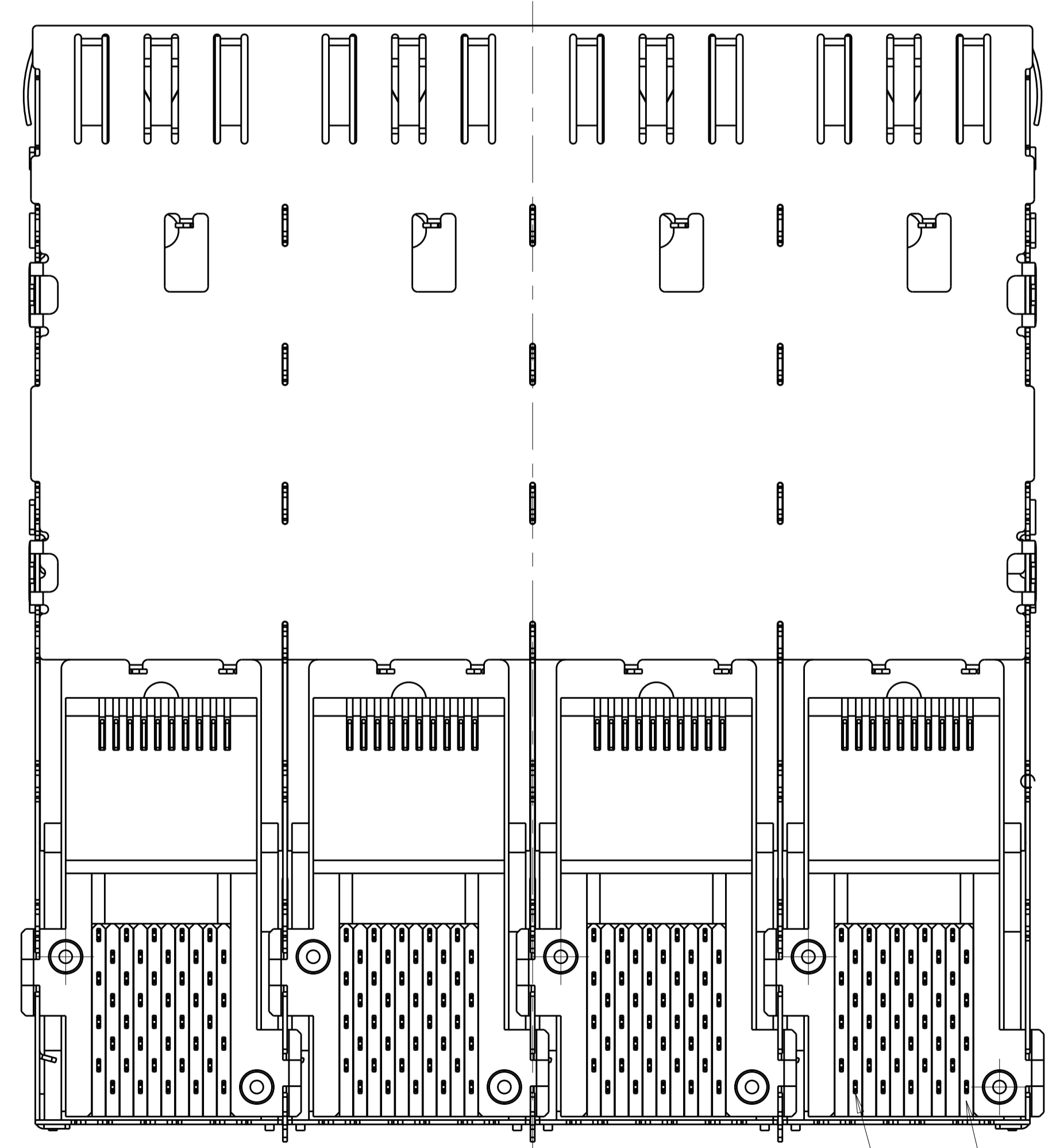
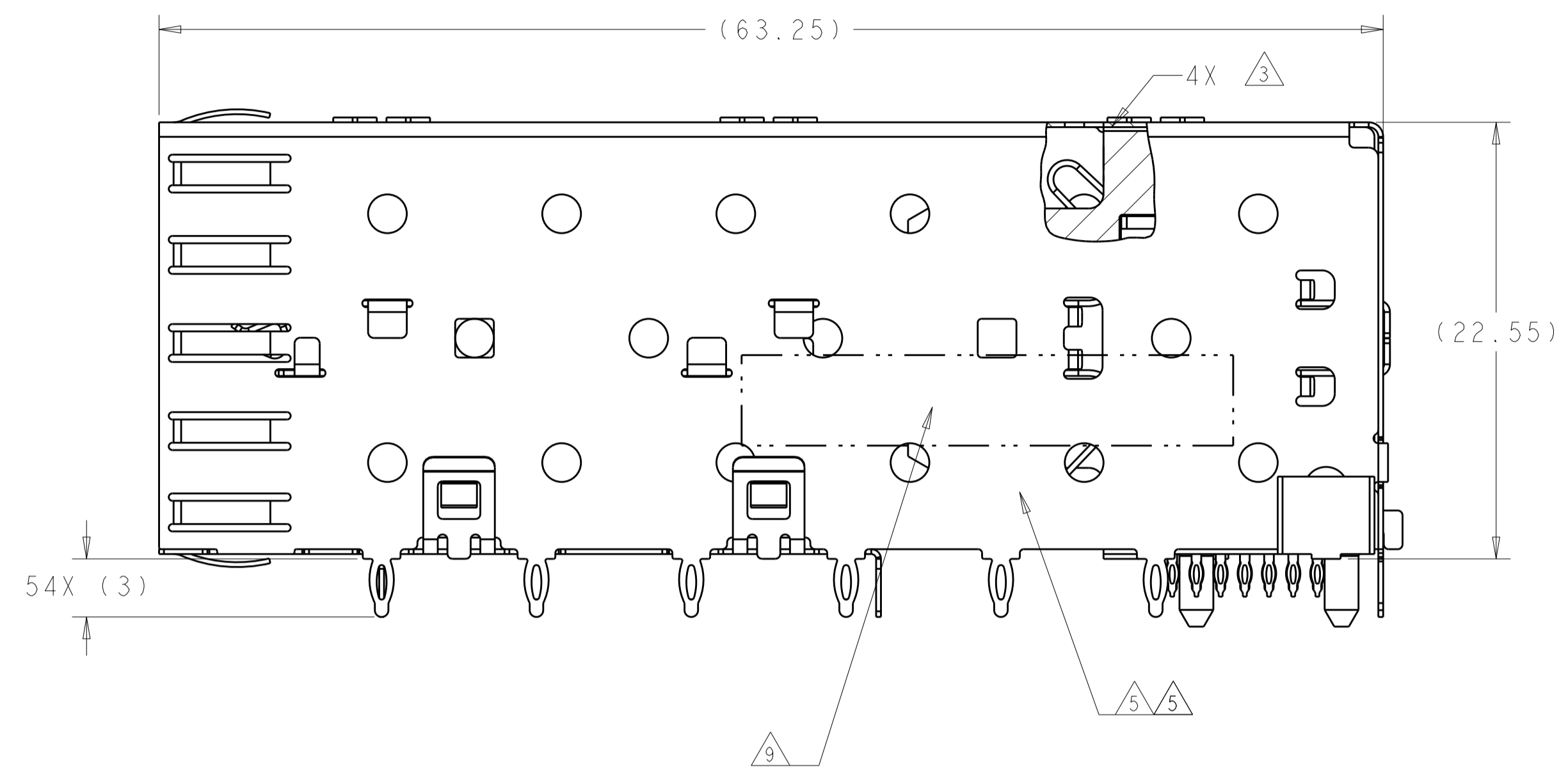
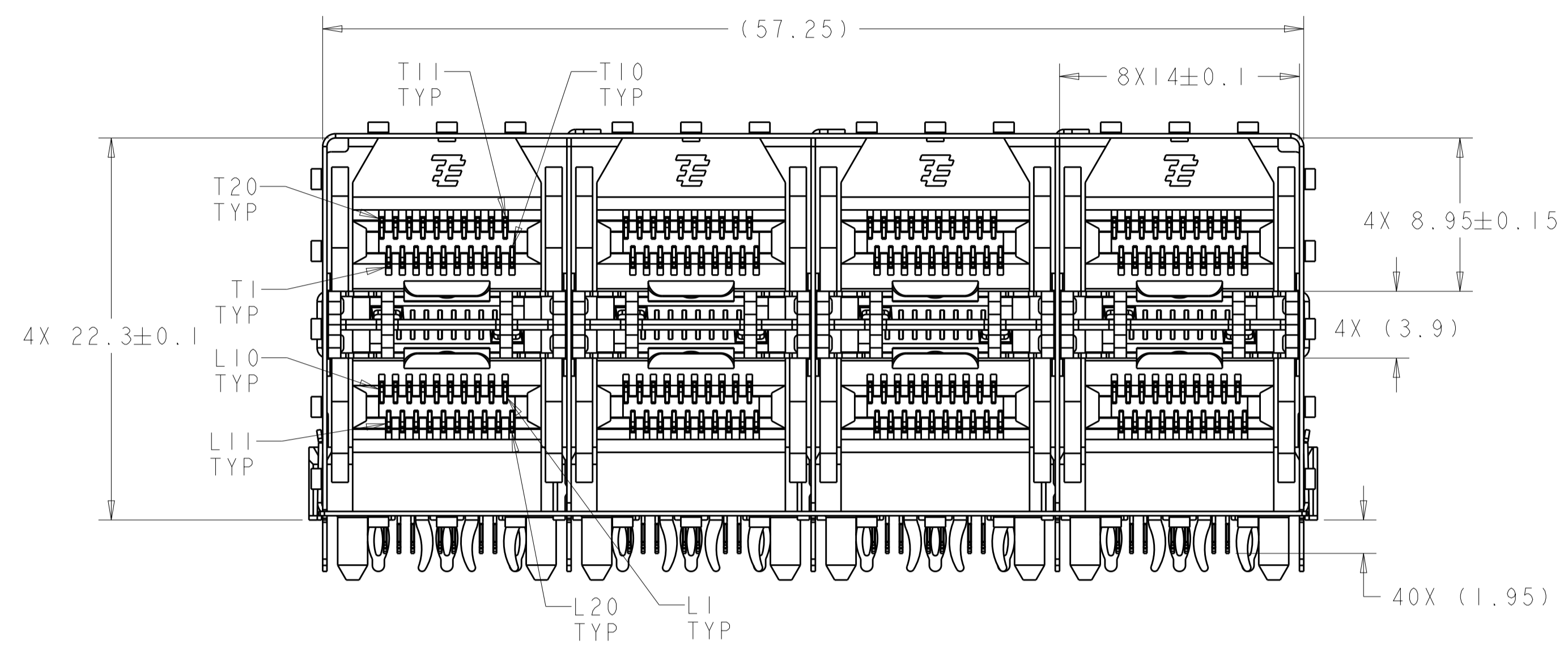


LOC	DIST	REVISIONS					
		P	LTN	DESCRIPTION	DATE	DWN	APVD
ES	00	A		RELEASE	06NOV2012	JY	AC
		B		REVISED PER ECO-14-000886	20FEB2014	JW	SH



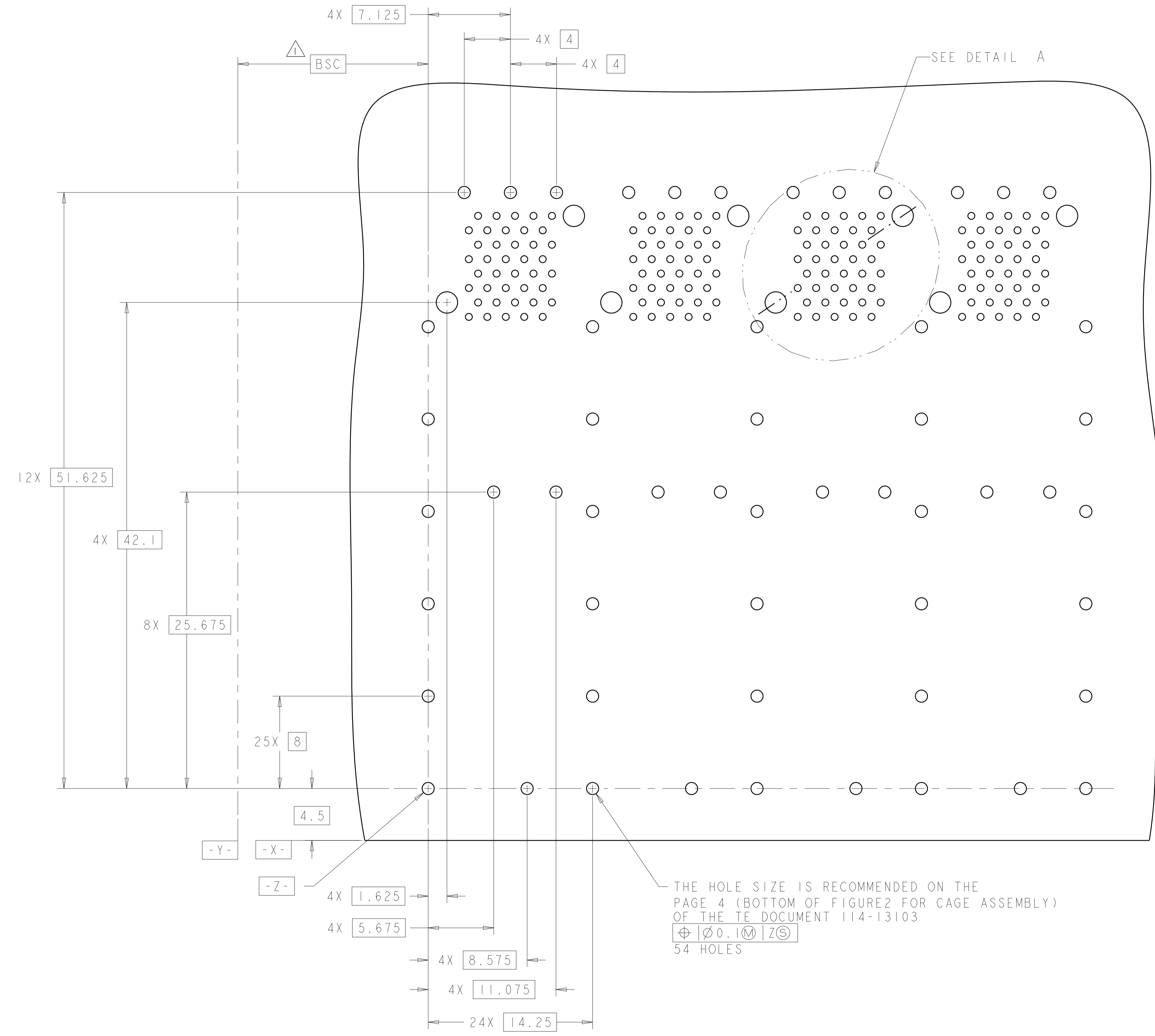
2170286-1
SCALE 2:1

- 1 DATUM AND BASIC DIMENSION TO BE DETERMINED BY CUSTOMER.
- 2 INTERPRETATION OF DATUM REFERENCE FRAME IN ACCORDANCE WITH SECT 4.4.1.1 OF ASME Y14.5M-1994.
- 3 TOP OF PT CONNECTOR TO BE 0-0.15 FROM INSIDE SURFACE OF CAGE.
- 4 COPPER ALLOY.
- 5 NICKEL SILVER ALLOY (NO PLATING).
- 6 LCP, HIGH TEMPERATURE, UL 94V-0 RATED, BLACK.
- 7 POLYESTER, UL 94V-0 RATED, BLACK.
- 8 CONTACT MATING AREA: SURFACE TREATMENT OVER 0.76um MIN GOLD PER ASTM B 488 OVER 1.27um MIN NICKEL PER QQ-N-290. NEEDLE EYE: 1.25um MIN TIN PER ASTM B 545 OVER 1.27um MIN NICKEL PER QQ-N-290. REMAINDER OF CONTACT: 0.76um MIN NICKEL PER QQ-N-290.
- 9 DATE CODE AND PART NUMBER IN APPROXIMATE LOCATION SHOWN

2170286-1
PART NUMBER

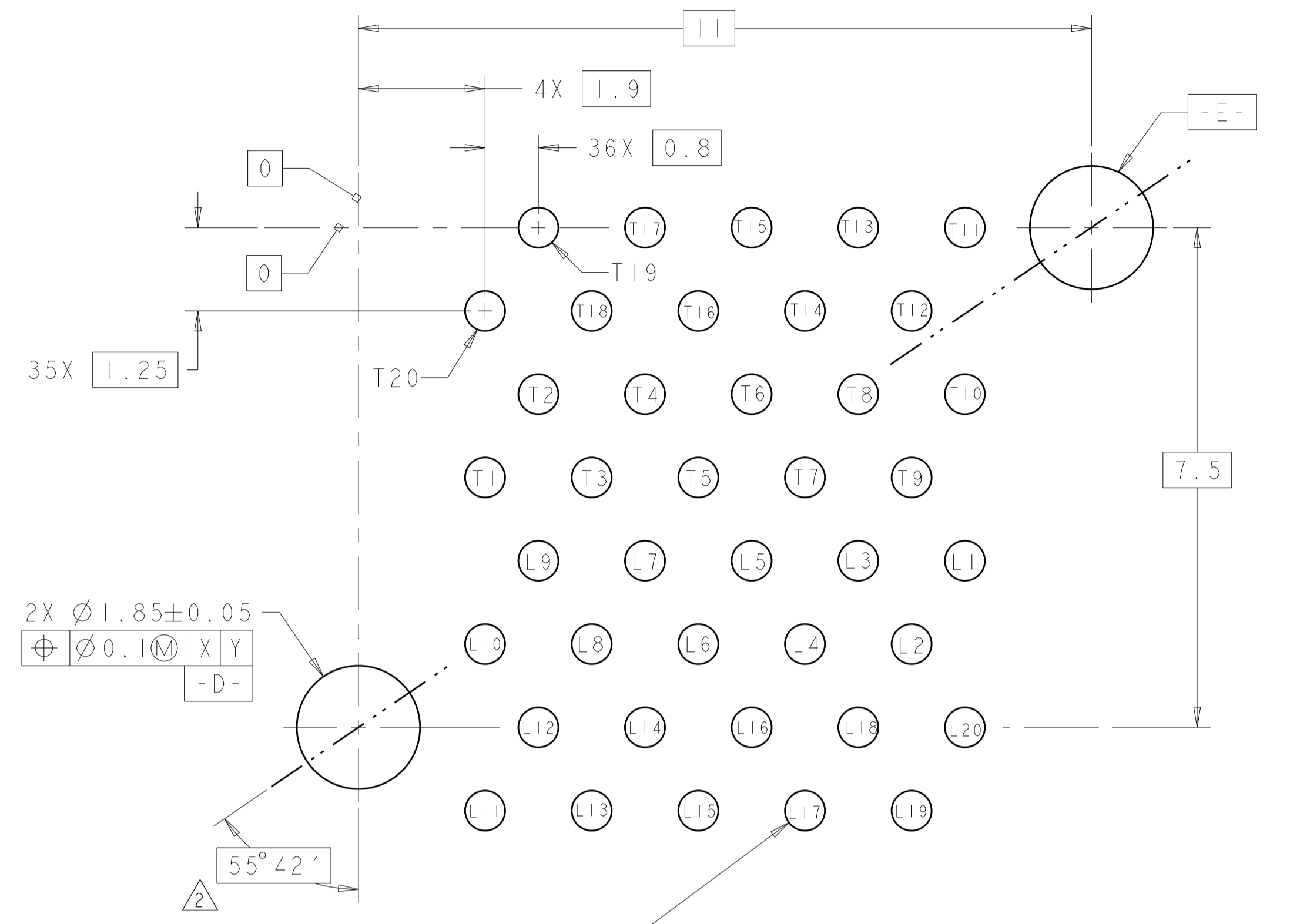
THIS DRAWING IS A CONTROLLED DOCUMENT.		DWN: JASON YANG ZOMAR2012	TE Connectivity
DIMENSIONS: mm		CHK: ALEX CAI ZOMAR2012	
TOLERANCES UNLESS OTHERWISE SPECIFIED:		APVD: ALEX CAI ZOMAR2012	NAME: CAGE AND PT CONNECTOR ASSEMBLY, 2x4, PRESS FIT, LOW PROFILE, SFP
0 PLC ±		PRODUCT SPEC: 108-2161	
1 PLC ±0.1		APPLICATION SPEC: 114-13103	SIZE: CAGE CODE DRAWING NO: A100779C=2170286
2 PLC ±		WEIGHT: -	
3 PLC ±		RESTRICTED TO: -	SCALE: 4:1 SHEET 1 OF 3 REV B
4 PLC ±		Customer Drawing	
ANGLES ±			
FINISH			

LOC	DIST	REV	DATE	BY	APPV
ES	00				
SEE SHEET 1					



THE HOLE SIZE IS RECOMMENDED ON THE PAGE 4 (BOTTOM OF FIGURE2 FOR CAGE ASSEMBLY) OF THE TE DOCUMENT 114-13103
 $\varnothing 0.10 \text{ (M)} | Z \text{ (S)}$
 54 HOLES

RECOMMENDED PCB CONFIGURATION
 SCALE 5:1

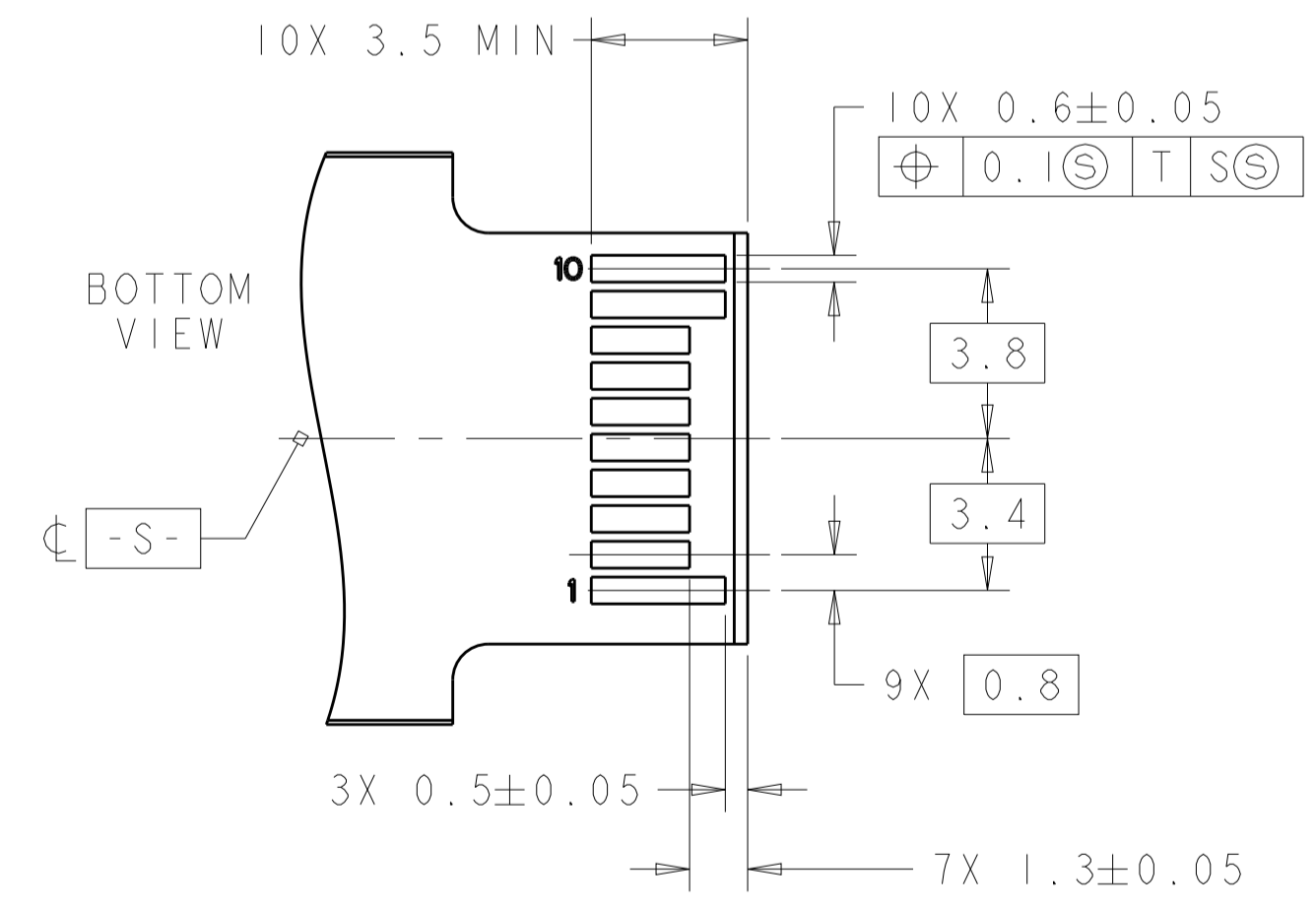
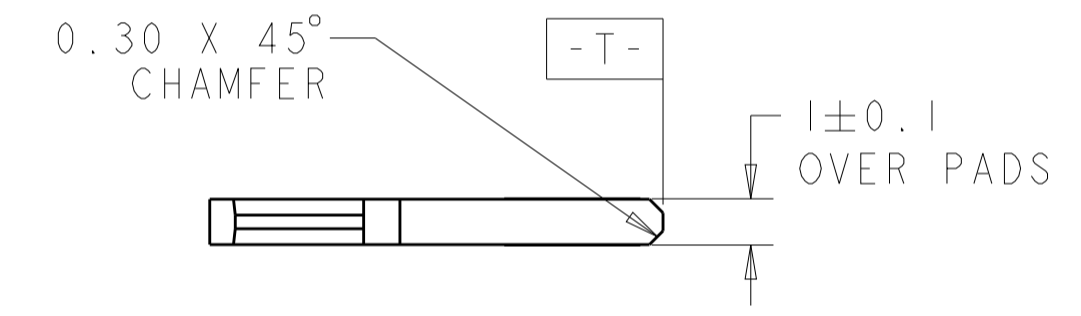
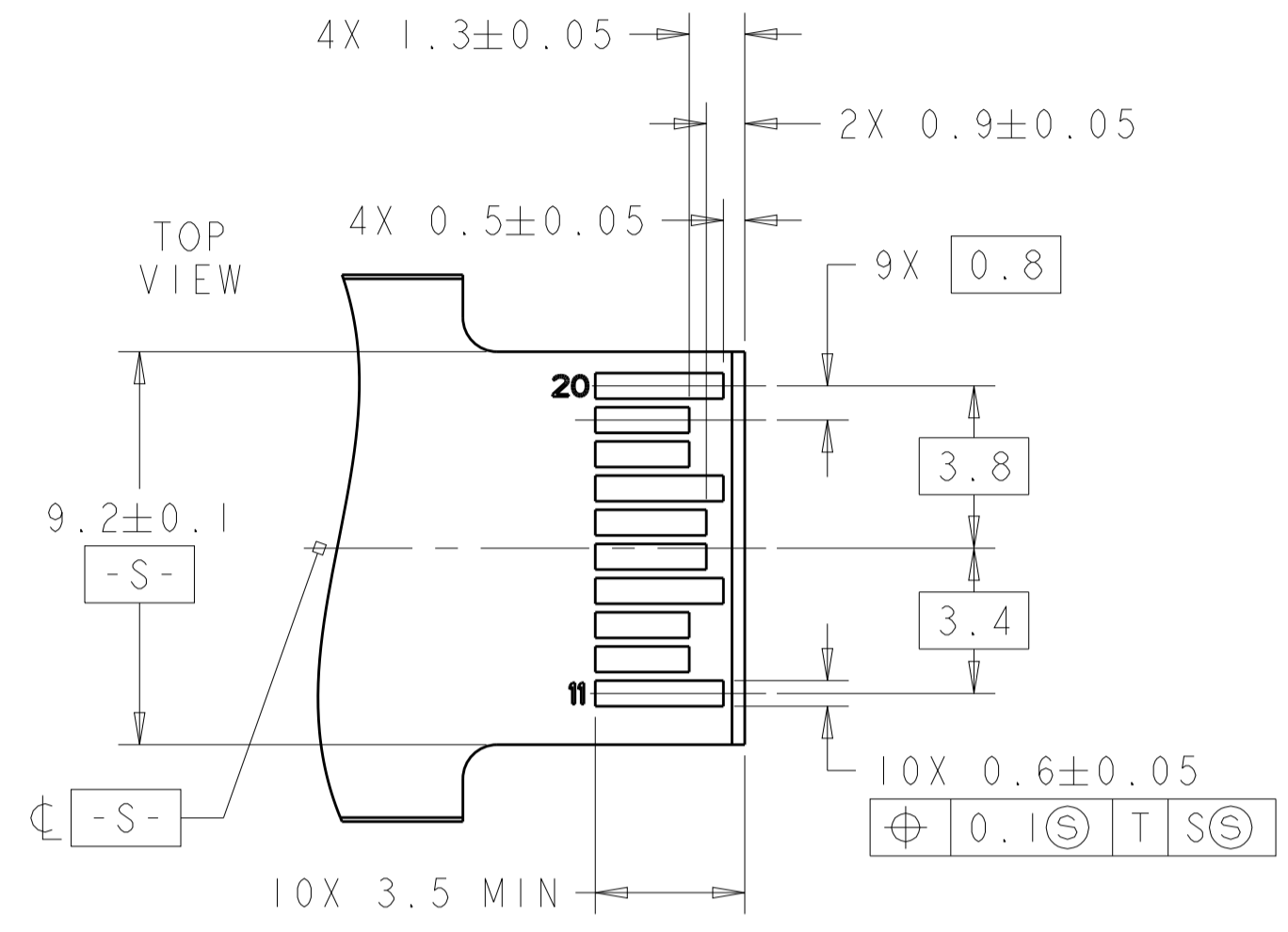


THE HOLE SIZE IS RECOMMENDED ON THE PAGE 4 (TOP OF FIGURE2 FOR CONNECTOR) OF THE TE DOCUMENT 114-13103
 $\varnothing 0.08 \text{ (M)} | D \text{ (S)} | E \text{ (S)}$
 40X4 HOLES

DETAIL A
 SCALE 15:1

THIS DRAWING IS A CONTROLLED DOCUMENT.		DWN: JASON YANG ZOMAR2012	TE Connectivity
DIMENSIONS: mm		CHK: ALEX CAI ZOMAR2012	
TOLERANCES UNLESS OTHERWISE SPECIFIED:		APPV: ALEX CAI ZOMAR2012	NAME: CAGE AND PT CONNECTOR ASSEMBLY, 2x4, PRESS FIT, LOW PROFILE, SFP
0 PLC ±	1 PLC ±0.1	PRODUCT SPEC	108-2161
2 PLC ±	3 PLC ±	APPLICATION SPEC	114-13103
4 PLC ±	ANGLES ±	SIZE: CAGE CODE DRAWING NO	RESTRICTED TO
MATERIAL	FINISH	WEIGHT	A100779C=2170286
Customer Drawing		SCALE: 4:1	SHEET 2 OF 3 REV B

LOC	DIST	REVISIONS			
P	LTN	DESCRIPTION	DATE	DWN	APVD
-	-	SEE SHEET 1	-	-	-



RECOMMENDED LAYOUT FOR
 MATING TRANSCEIVER PCB
 SCALE 6:1

THIS DRAWING IS A CONTROLLED DOCUMENT.		DWN: JASON YANG ZOMAR2012	TE Connectivity
DIMENSIONS: mm		CHK: ALEX CAI ZOMAR2012	
TOLERANCES UNLESS OTHERWISE SPECIFIED: 0 PLC ± 1 PLC ±0.1 2 PLC ± 3 PLC ± 4 PLC ± ANGLES ±		APVD: ALEX CAI ZOMAR2012	NAME: CAGE AND PT CONNECTOR ASSEMBLY, 2x4, PRESS FIT, LOW PROFILE, SFP
		PRODUCT SPEC: 108-2161	SIZE: CAGE CODE DRAWING NO: A100779C=2170286
MATERIAL: FINISH:		APPLICATION SPEC: 114-13103	RESTRICTED TO: -
		WEIGHT: -	SCALE: 1:1 SHEET 3 OF 3 REV B
		Customer Drawing	

X-ON Electronics

Largest Supplier of Electrical and Electronic Components

Click to view similar products for [I/O Connectors](#) category:

Click to view products by [TE Connectivity](#) manufacturer:

Other Similar products are found below :

[571763P](#) [58098-0628](#) [61-168618-12P](#) [D38999/20FJ29SB L/C](#) [72.250.1628.2](#) [72.250.2428.2](#) [74720-0505](#) [747680210](#) [76.350.0729.0](#) [76871-1403](#) [FCN-244F080-G/1](#) [FCN-260A9920](#) [FCN-268D024-G/2F#10X-R10](#) [MP-5T180MUNNA-005](#) [MP-5XRJ45UNNB-003](#) [PCS-E50FA](#) [PCS-XE26LKA](#) [PCS-XE26MA+](#) [PCS-XES68MS+](#) [G38A71314B](#) [91-569719-35R](#) [9776-18-6](#) [DX40-50P\(55\)](#) [1571250010](#) [157-22500-3](#) [MS3471L14-19P L/C](#) [171224-6031](#) [1888020-8](#) [91-569786-35H](#) [91-569786-35M](#) [91-644626-35P](#) [172501-4002](#) [172501-6002](#) [FCN-260C008-A/L0](#) [FCN-260C024-AL0](#) [FCN-268D008-G/1K](#) [2000314-1](#) [200331-1](#) [2007498-2](#) [PCR-E28LMDAG1+](#) [PCR-E36FC+](#) [PCS-E28FS+](#) [PCS-XE26SLFD+](#) [PCS-XE26SLFDT+](#) [G38A71214B](#) [HDRA-E68W1LFDTC-SL+](#) [HDR-E14MSG1+](#) [R88A-CNK81S](#) [CRT1-ATT02](#) [54182-0605](#)