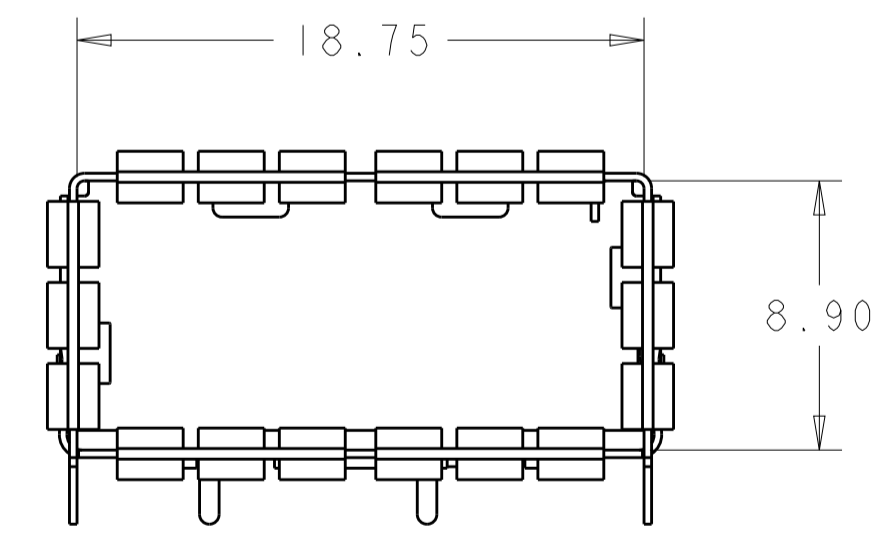
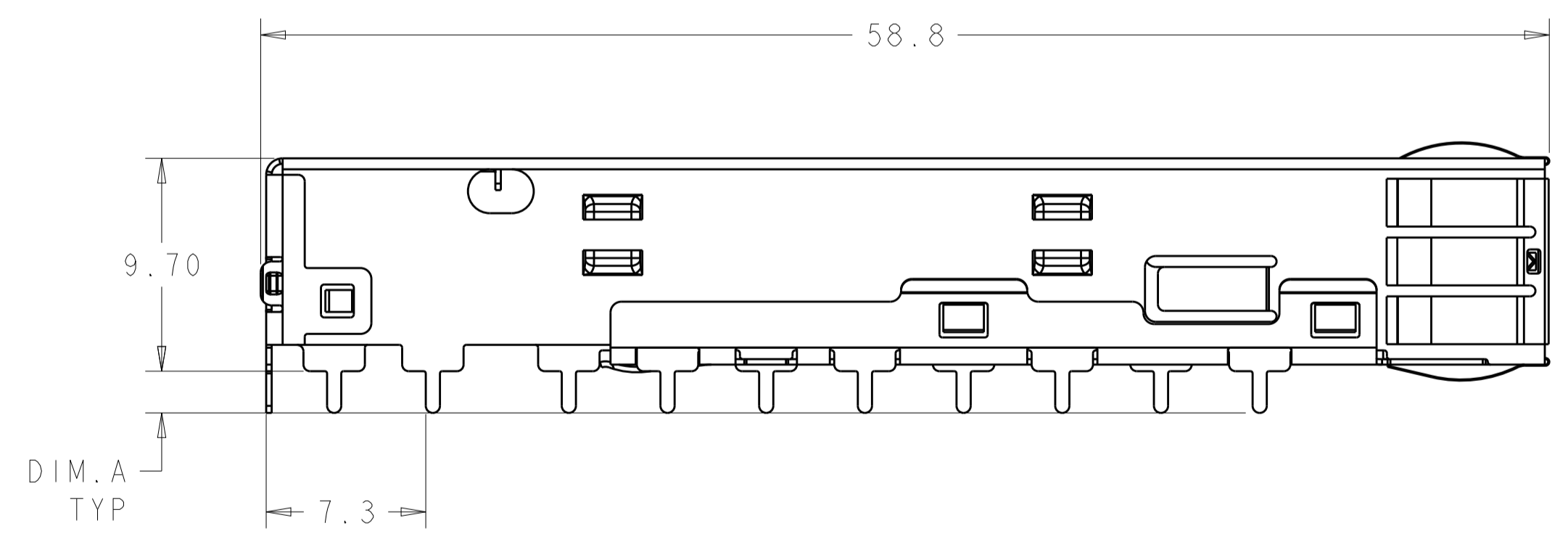
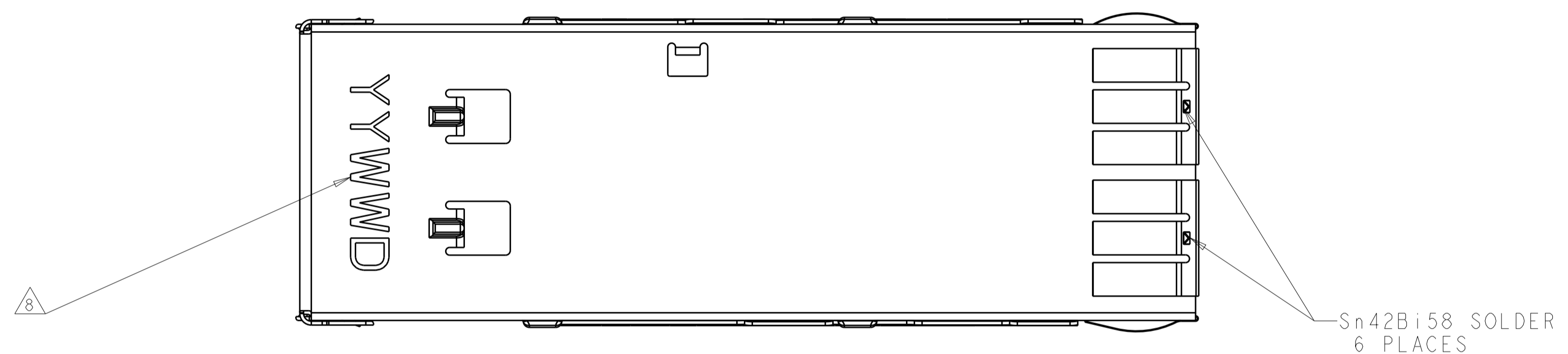
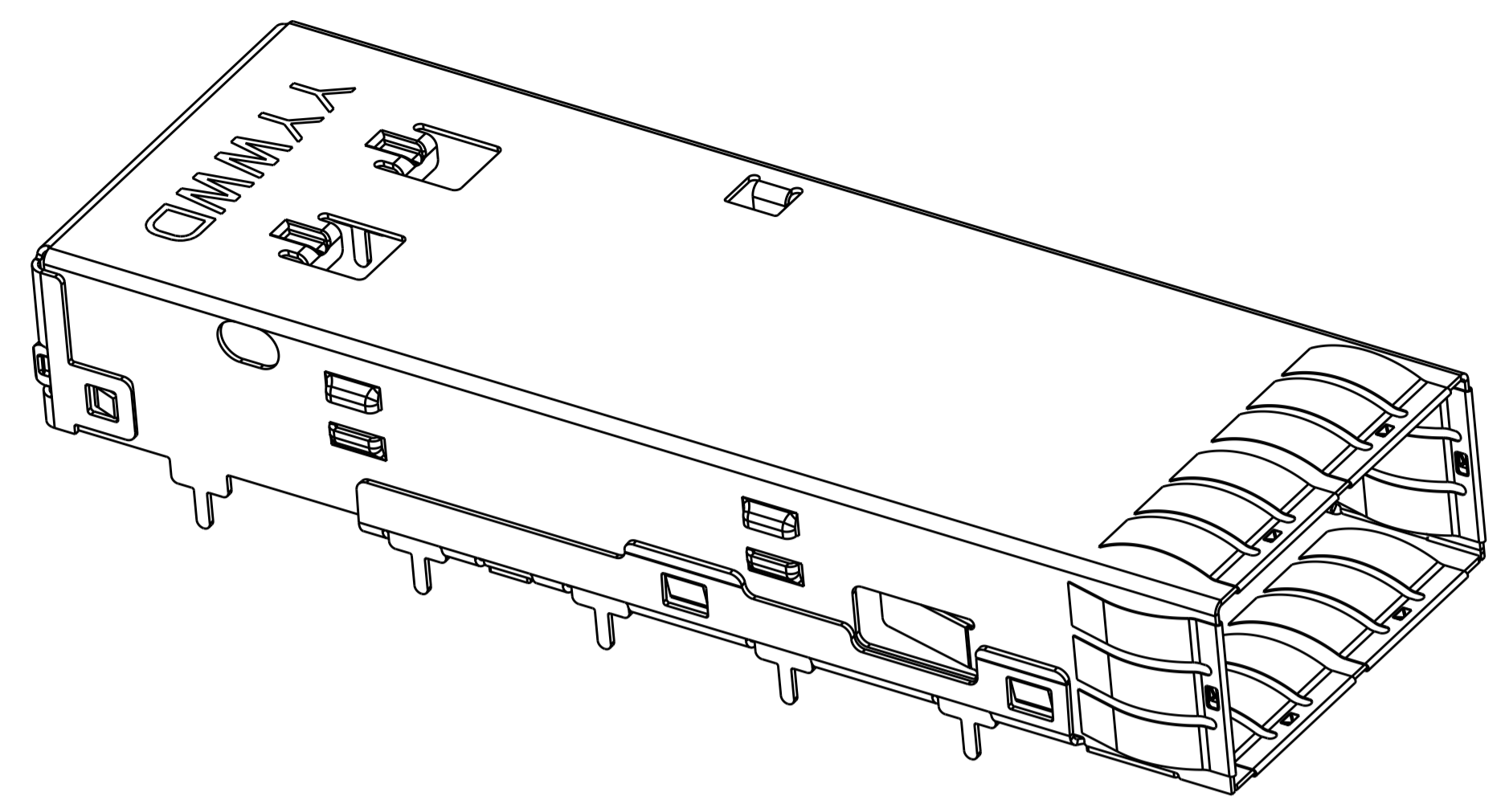


LOC	DIST	REVISIONS					
		P	LTN	DESCRIPTION	DATE	DMN	APVD
GP	00	A		RELEASE PER ECR-15-011430	25AUG2015	RG	SH
		B		REVISED PER ECO-17-009893	7JUL2017	RG	SH
		C		REVISED PER ECO-17-010599	20JUL2017	RG	SH
		D		REVISED PER ECO-18-005129	04APR2018	TX	SH

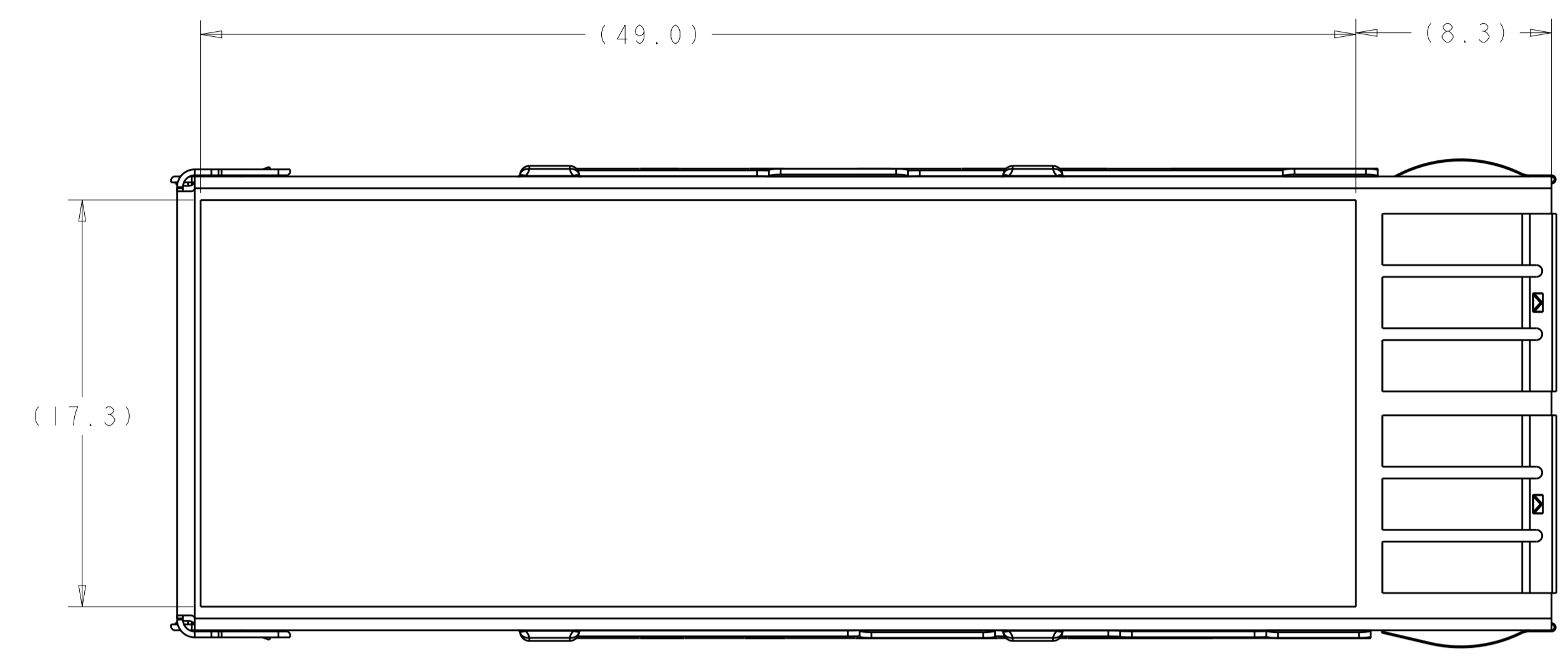


- △ MATERIAL:
 CAGE - 0.25 THICK CuNiSi 1.25μm MINIMUM TIN PER 112-16-4 OVER 0.125μm MINIMUM NICKEL PER 112-25-2.
 OR 0.25 THICK NICKEL SILVER ALLOY
 SPRINGS - COPPER ALLOY
 HEAT SINK - ALUMINUM
 HEAT SINK CLIP - STAINLESS STEEL
- △ MINIMUM PITCH DIMENSION.
- 3. MATES WITH QSPF MSA COMPATIBLE TRANSCEIVER.
- △ DATUM AND BASIC DIMENSIONS ESTABLISHED BY CUSTOMERS.
- 5. MINIMUM PC BOARD THICKNESS:
 SINGLE SIDED: 1.45mm
 DOUBLE SIDED: 2.2mm
- △ DATUM [-A-] IS TOP SURFACE OF THE HOST BOARD.
- △ SURFACE TRACES PERMITTED WITHIN THIS AREA EXCEPT WHERE CAGE STANDOFFS, SHOWN IN DETAIL J, CONTACT PC BOARD.
- △ DATE CODE (YYWWDD) MARKED APPROXIMATELY AS SHOWN.
- △ FINISH:
 SPRINGS - TIN PLATING OVER NICKEL, NON-PLATED EDGES PERMISSIBLE.
 HEAT SINK - BLACK ANODIZED
- △ DIMENSION APPLIES WITH MODULE INSTALLED IN THE CAGE.

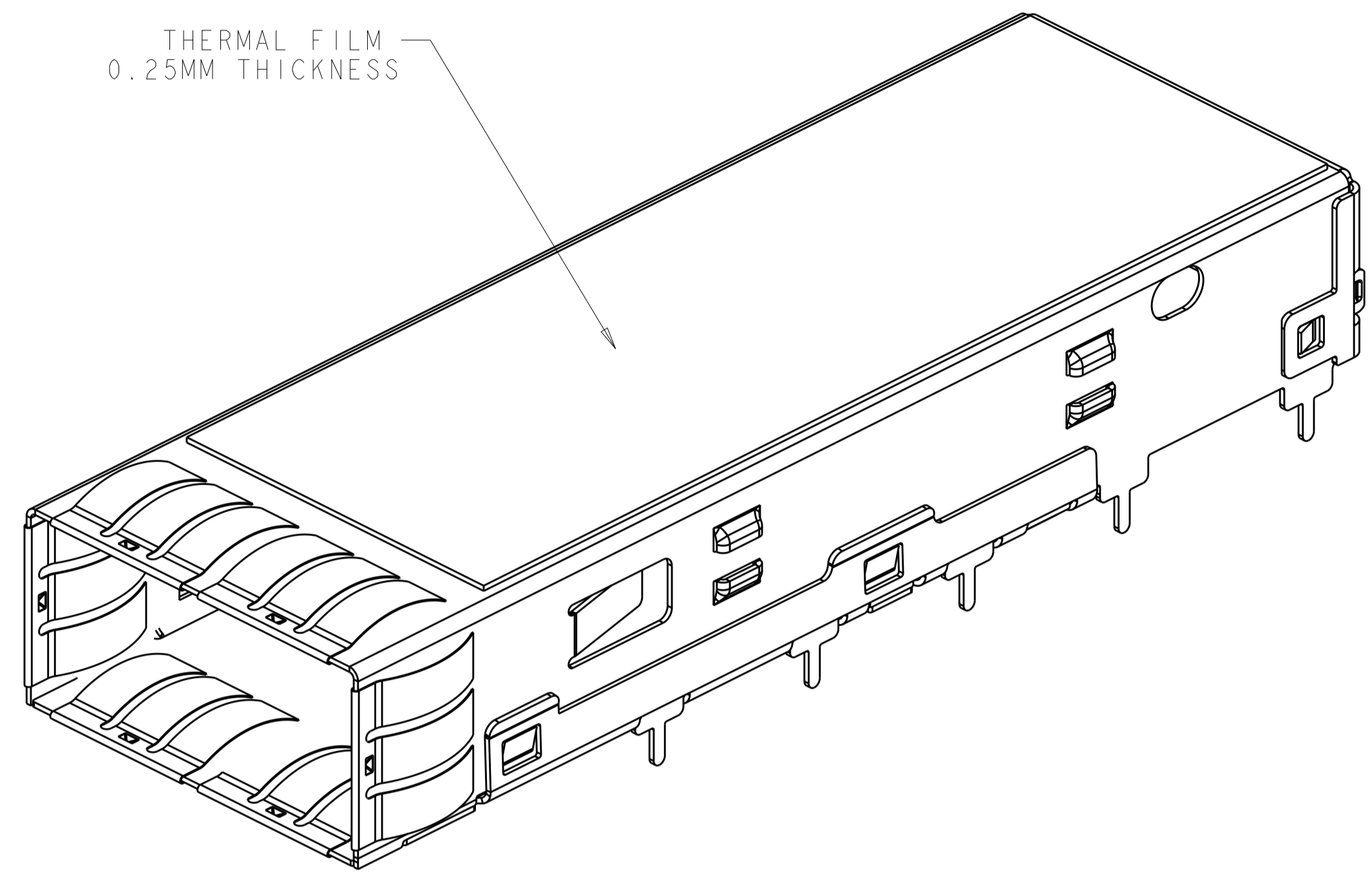
TIN PLATING OVER ALL	2.60	C70260 Cu Ni Si	2170322-6
TIN DIPPING ON TAIL	1.90	C77000 NICKEL SILVER ALLOY	2170322-3
TIN PLATING OVER ALL	1.90	C70260 Cu Ni Si	2170322-1
TREATMENT	DIM. A	CAGE MATERIAL	PART NUMBER

THIS DRAWING IS A CONTROLLED DOCUMENT.		DMN: PETER PAN 04FEB2013	STE TE Connectivity
DIMENSIONS: mm		CHK: JASON YANG 04FEB2013	
TOLERANCES UNLESS OTHERWISE SPECIFIED:		APVD: AILEY CAI 04FEB2013	
0 PLC ±0.25 1 PLC ±0.25 2 PLC ±0.20 3 PLC ± 4 PLC ± ANGLES ±°		NAME: QSPF PRODUCT SPEC: 108-2286 APPLICATION SPEC: 114-13217 WEIGHT: - CUSTOMER DRAWING	
MATERIAL: △		FINISH: △	SIZE: A1 CAGE CODE: 00779 DRAWING NO: 2170322 RESTRICTED TO: - SCALE: 2:1 SHEET 1 OF 6 REV D

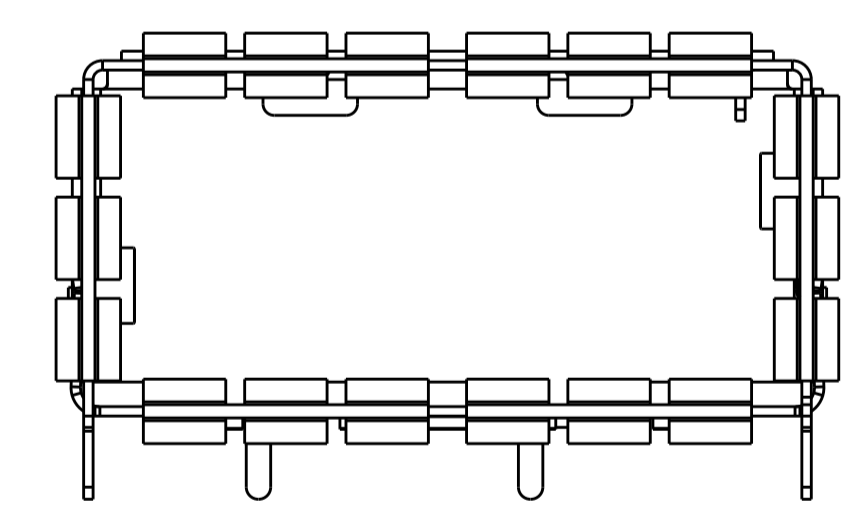
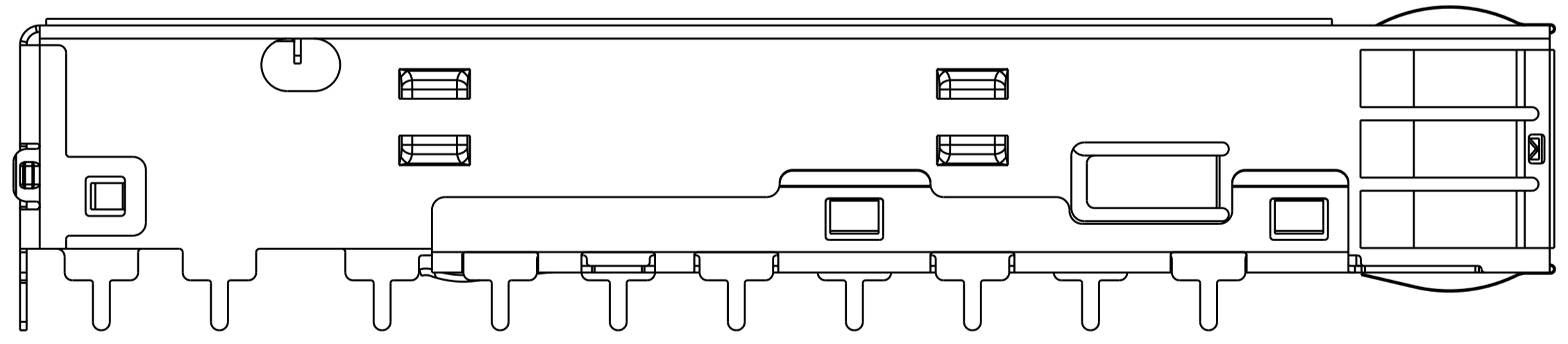
LOC	DIST	REVISIONS			
P	LTN	DESCRIPTION	DATE	DMN	APVD
GP	00	SEE SHEET 1	-	-	-



1-2170322-0 BE SAEM TO 2170322-1 EXCPET WITH THE FILM



1-2170322-0 AS SHOWN
SCALE 5:1

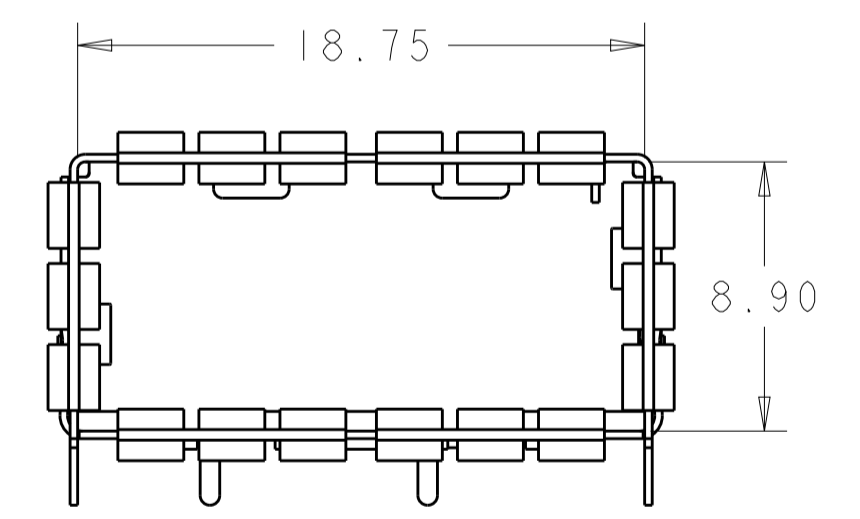
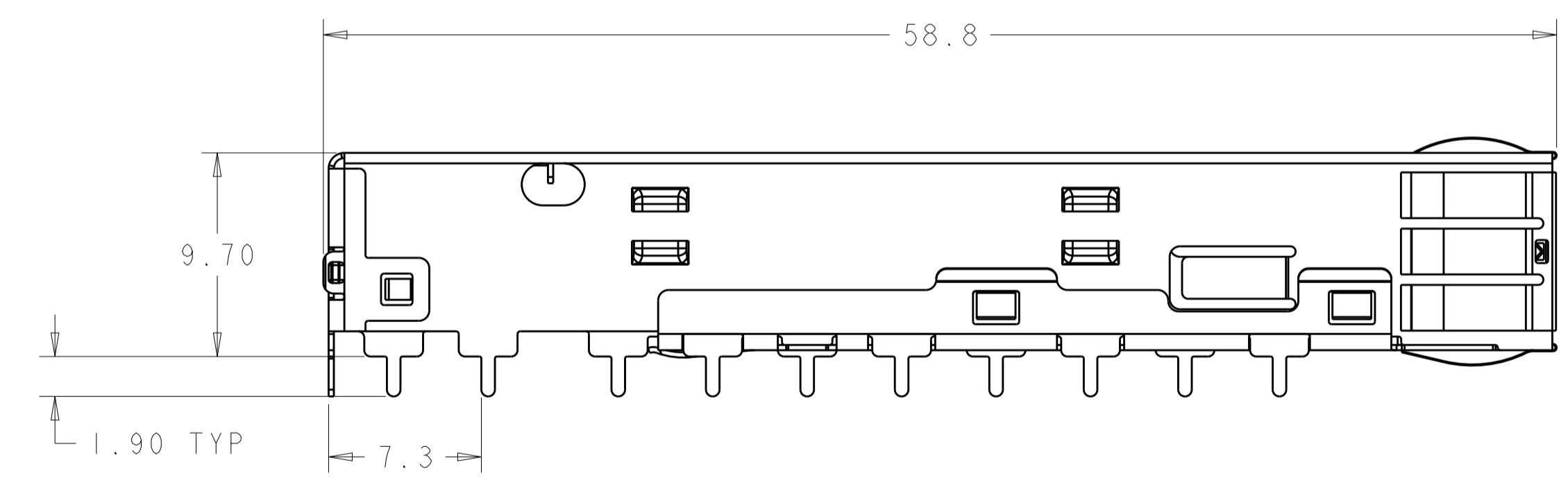
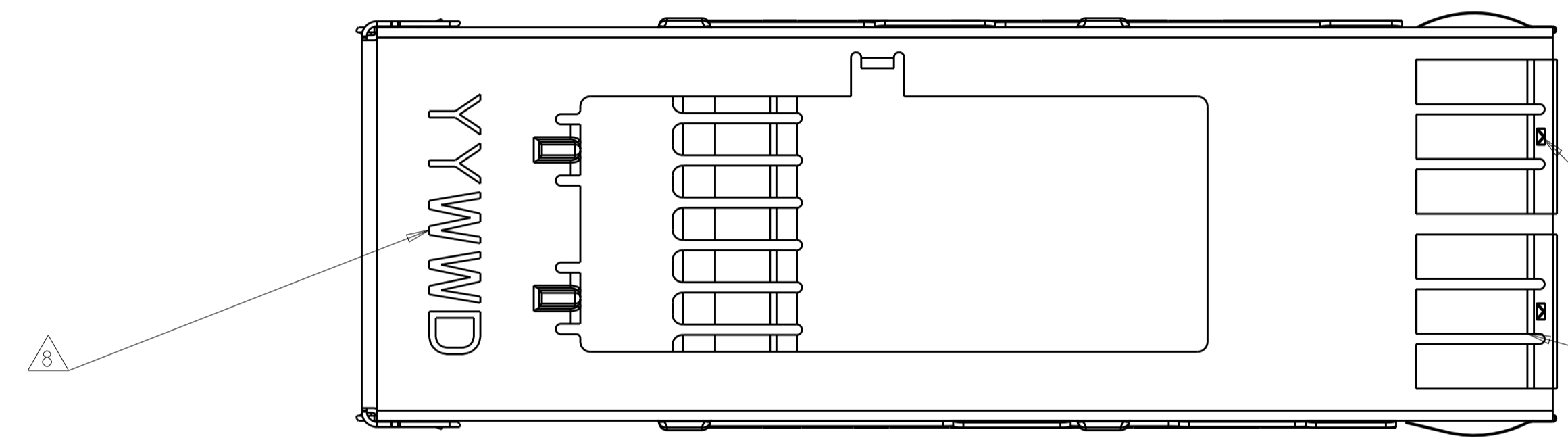
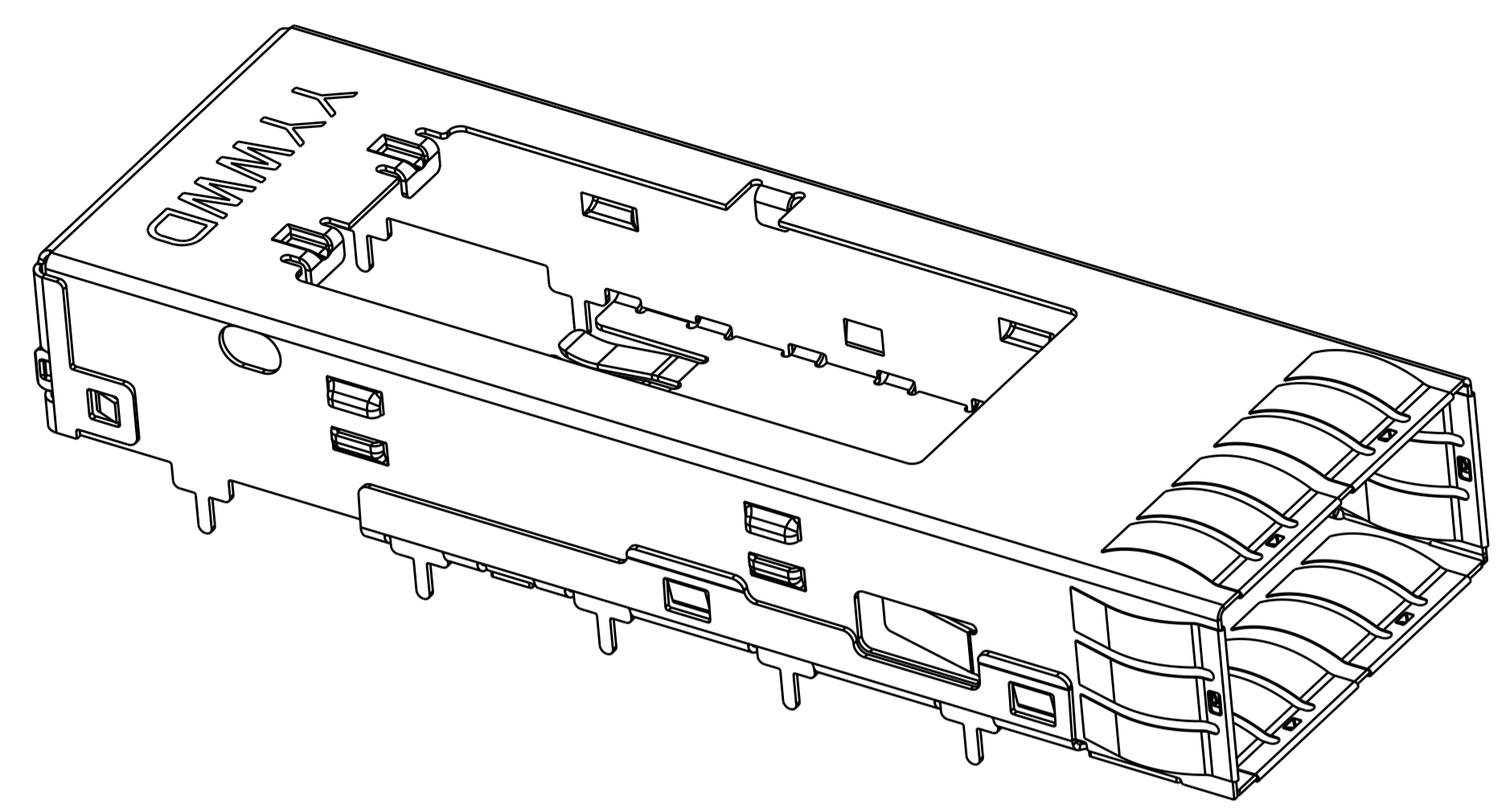


SCALE 5:1

TIN PLATING OVER ALL TREATMENT	C70260 Cu Ni Si	1-2170322-0
	CAGE MATERIAL	PART NUMBER

THIS DRAWING IS A CONTROLLED DOCUMENT.		DMN: PETER PAN 04FEB2013	TE Connectivity
DIMENSIONS: mm		CHK: JASON YANG 04FEB2013	
TOLERANCES UNLESS OTHERWISE SPECIFIED:		APVD: AILEY CAI 04FEB2013	
0 PLC ±0.25 1 PLC ±0.25 2 PLC ±0.20 3 PLC ± 4 PLC ± ANGLES ±°		NAME: OSFP PRODUCT SPEC: 108-2286 APPLICATION SPEC: 114-13217 WEIGHT: - CUSTOMER DRAWING	
MATERIAL: -		SIZE: A1	CAGE CODE: 00779 DRAWING NO: C=2170322 RESTRICTED TO: - SCALE: 2:1 SHEET 2 OF 6 REV D

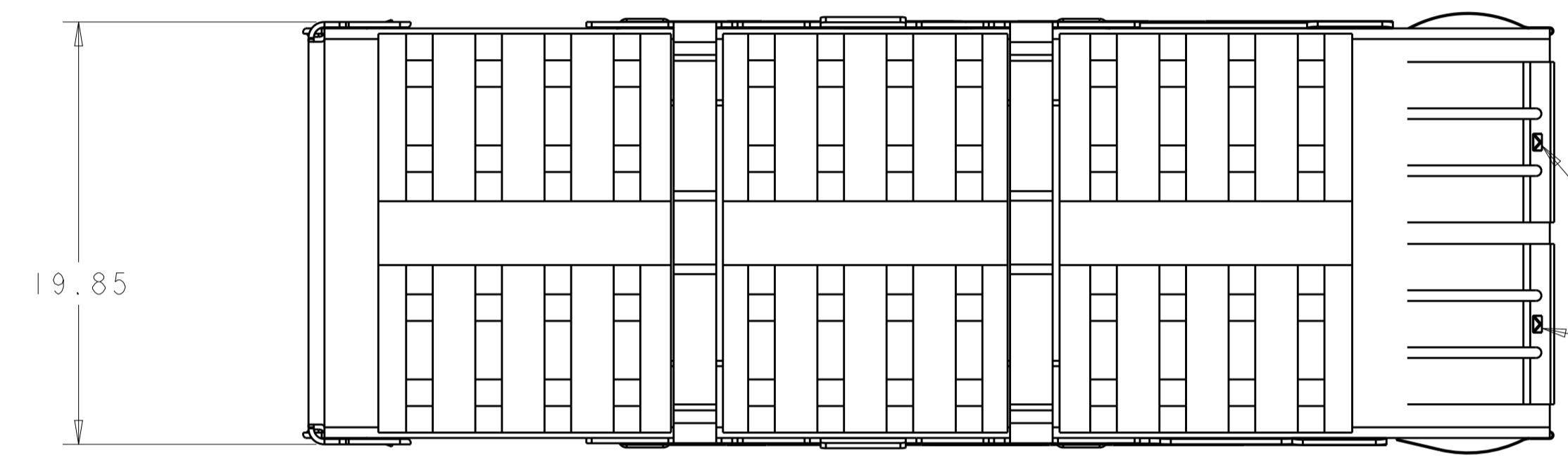
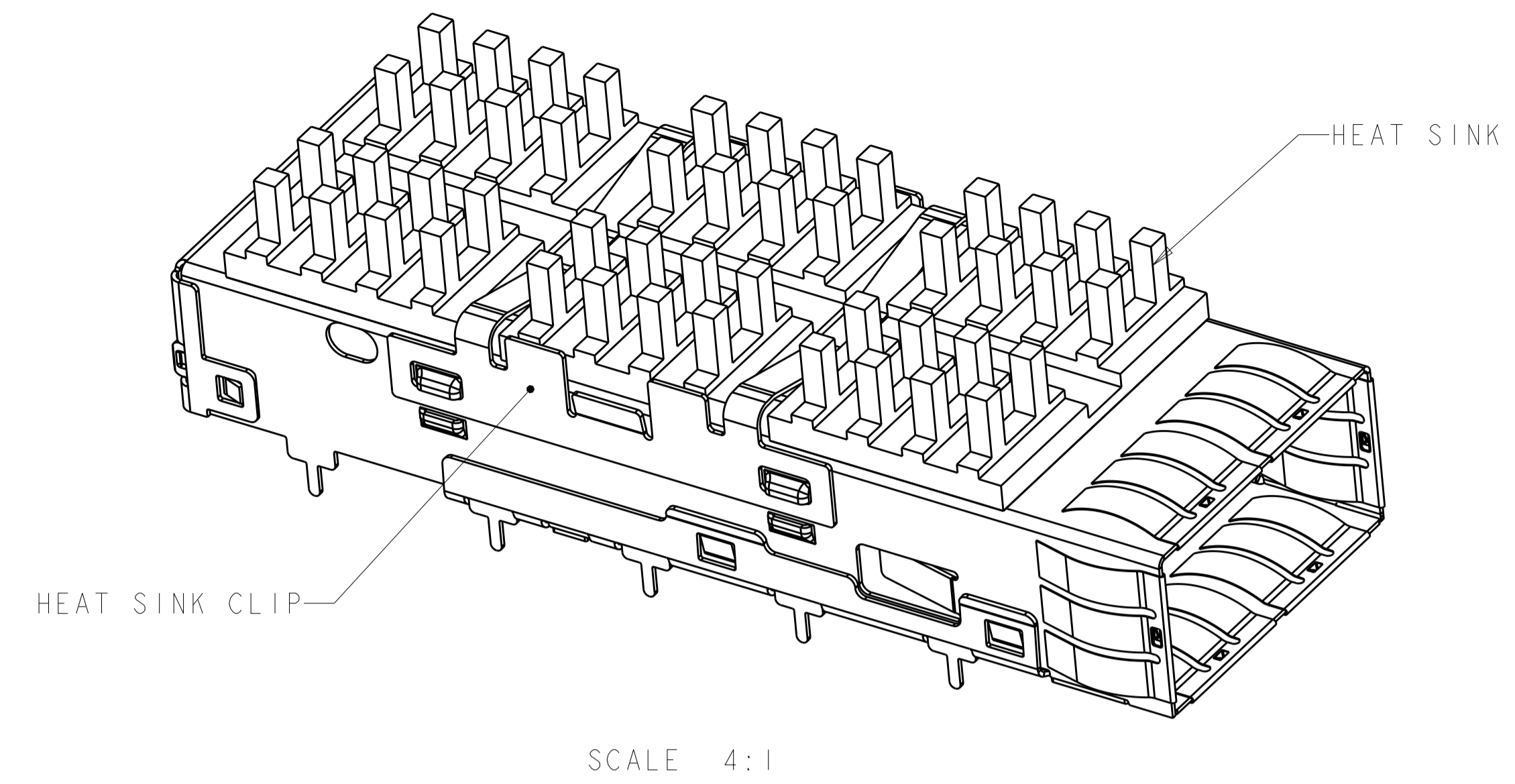
LOC	DIST	REVISIONS					
GP	00	P.	LYR	DESCRIPTION	DATE	DWN	APVD
		-		SEE SHEET 1		-	-



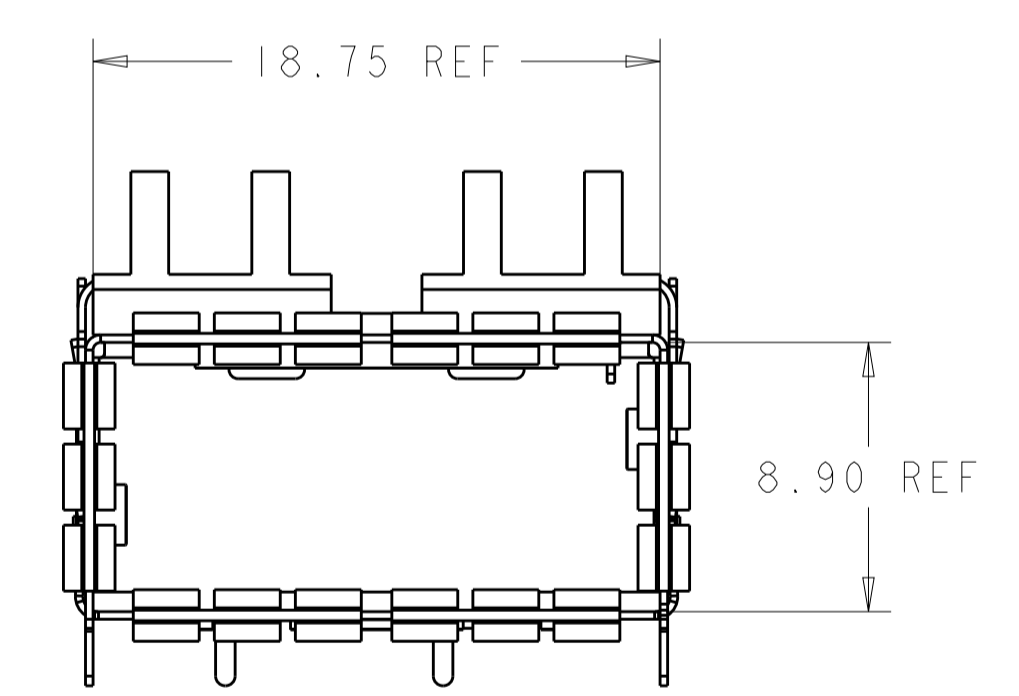
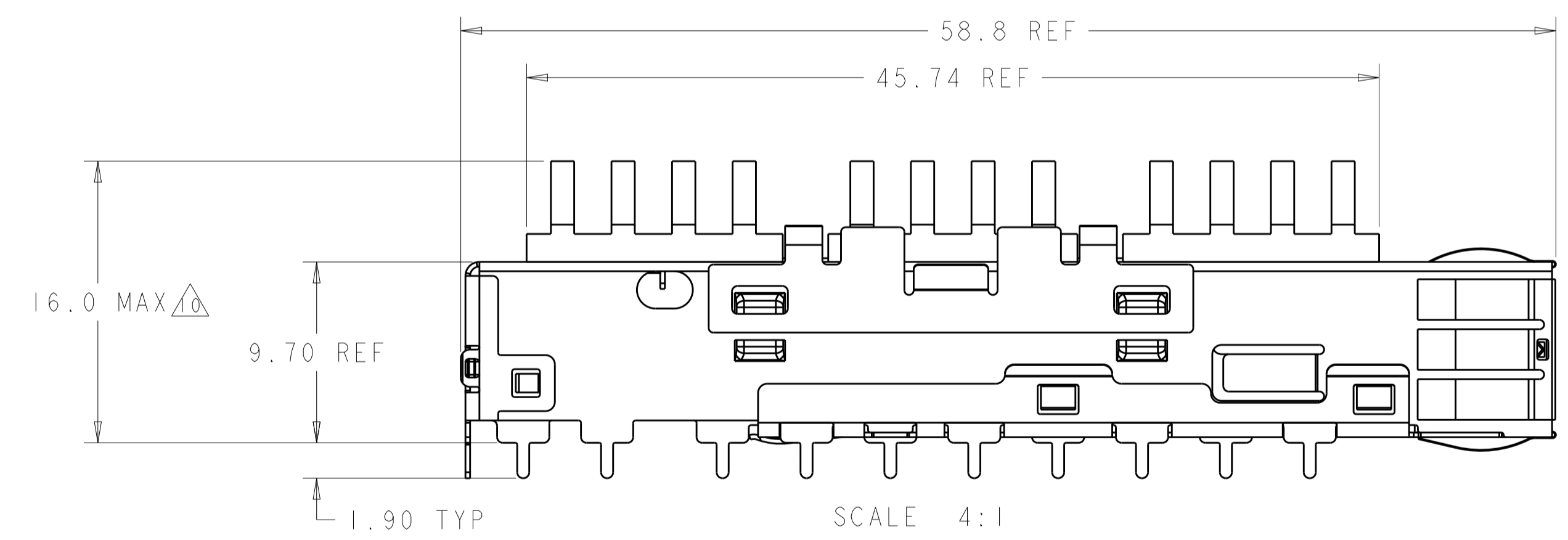
TIN PLATING OVER ALL TREATMENT	C70260 Cu Ni Si	2170322-2
	CAGE MATERIAL	PART NUMBER

THIS DRAWING IS A CONTROLLED DOCUMENT.		OWN: PETER PAN 04FEB2013	TE Connectivity
DIMENSIONS: mm		CHK: JASON YANG 04FEB2013	
TOLERANCES UNLESS OTHERWISE SPECIFIED:		APVD: AILEY CAI 04FEB2013	NAME: QSFP
0 PLC ±0.25		PRODUCT SPEC: 108-2286	IXI CAGE ASSEMBLY
1 PLC ±0.25		APPLICATION SPEC: 114-13217	SOLDER, THRU BEZEL
2 PLC ±0.20		SIZE: A1	RESTRICTED TO: -
3 PLC ±		WEIGHT: -	CAGE CODE: 2170322
4 PLC ±		CUSTOMER DRAWING	SCALE: 2:1
ANGLES: ±45°			SHEET 3 OF 6
FINISH: -			REV D

LOC	DIST	REVISIONS					
		P.	LTN	DESCRIPTION	DATE	DMN	APVD
GP	00	-	-	SEE SHEET 1	-	-	-



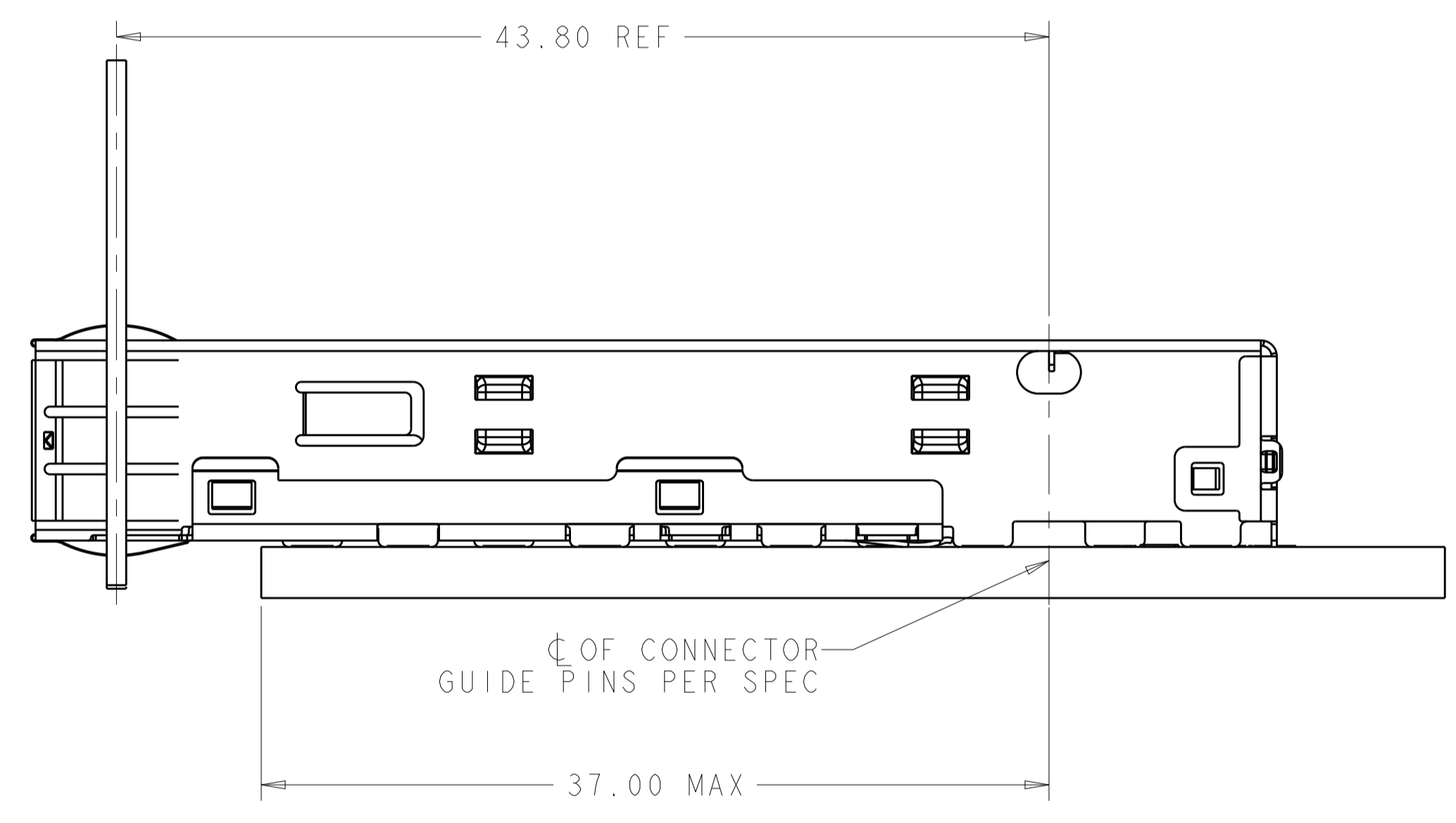
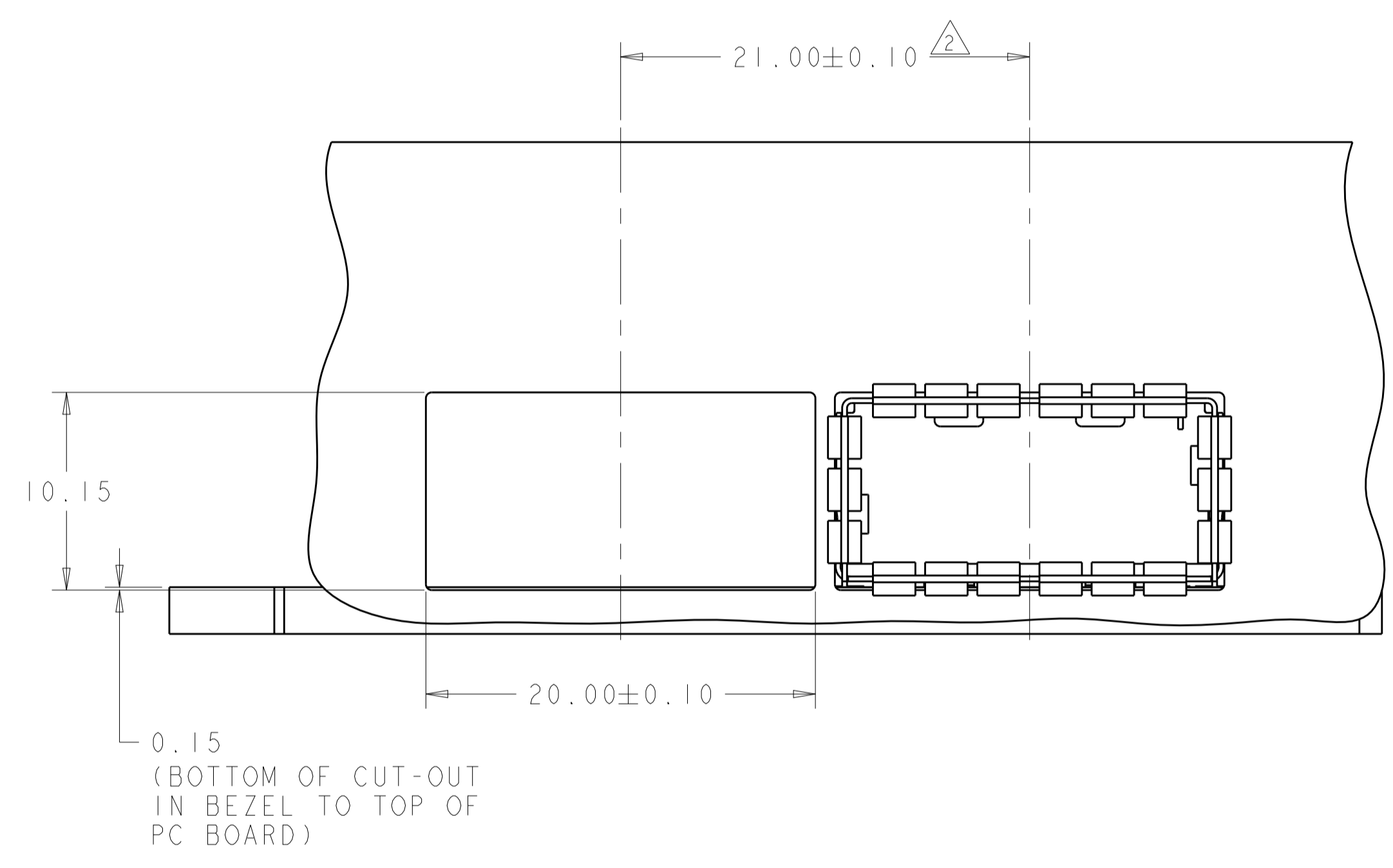
Sn42Bi58 SOLDER
6 PLACES



Δ TIN DIPPING ON TAIL	C77000 NICKEL SILVER ALLOY	2170322-5
TIN PLATING OVER ALL	C70260 Cu Ni Si	2170322-4
TAIL TREATMENT	CAGE MATERIAL	PART NUMBER

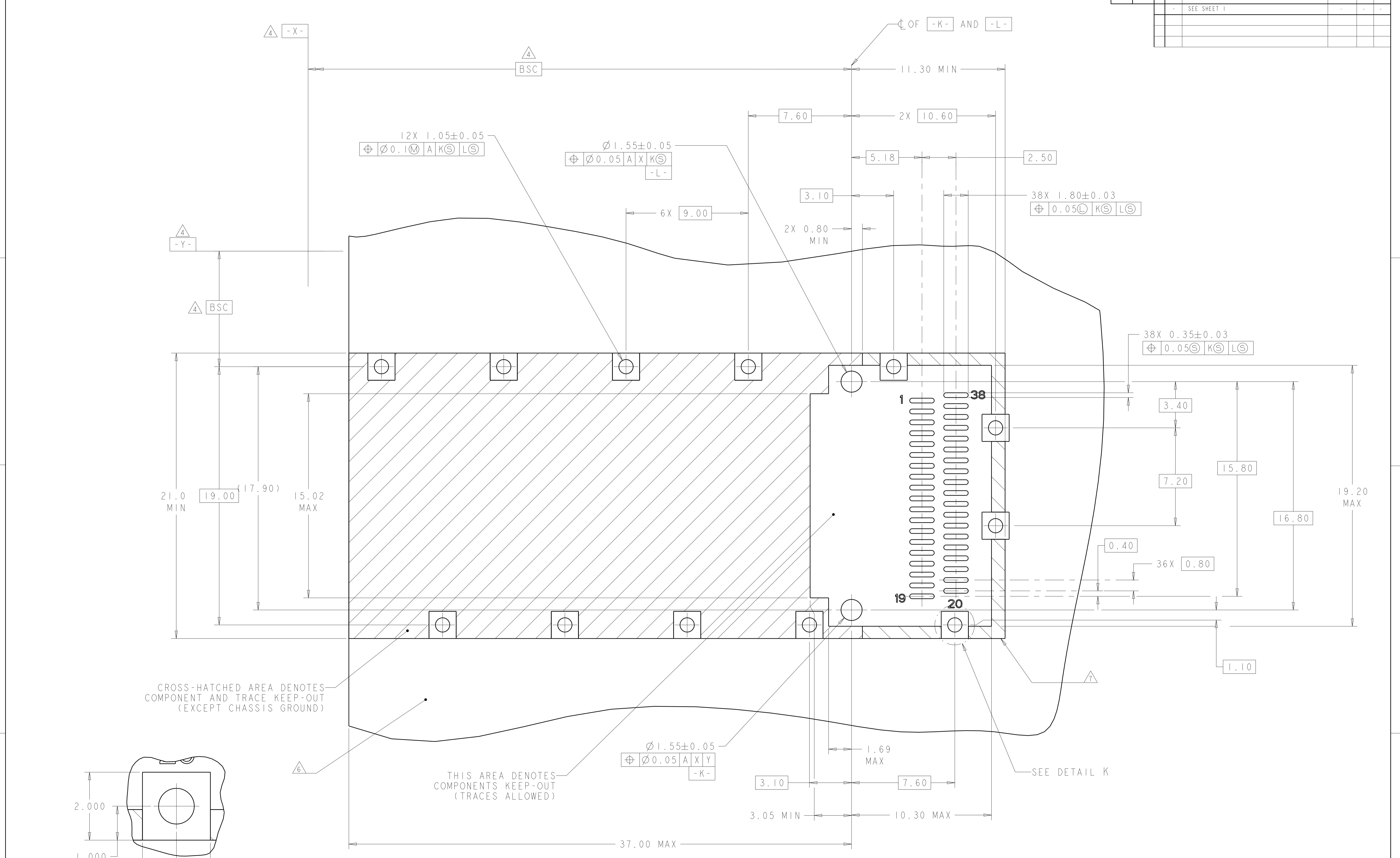
THIS DRAWING IS A CONTROLLED DOCUMENT.		DMN: PETER PAN 04FEB2013	TE Connectivity
DIMENSIONS:		CHK: JASON YANG 04FEB2013	
TOLERANCES UNLESS OTHERWISE SPECIFIED:		APVD: AILEY CAI 04FEB2013	
mm		NAME: OSFP	
0 PLC ± 0.25		PRODUCT SPEC: 108-2286	IXI CAGE ASSEMBLY
1 PLC ± 0.25		APPLICATION SPEC: 114-13217	SOLDER, THRU BEZEL
2 PLC ± 0.20		WEIGHT: -	RESTRICTED TO
3 PLC \pm		FINISH: -	A100779C=2170322
4 PLC \pm		CUSTOMER DRAWING	SCALE 2:1 SHEET 4 OF 6 REV D
ANGLES \pm			

LOC	DIST	REVISIONS					
GP	00	P	LTN	DESCRIPTION	DATE	DMN	APVD
-	-	-	-	SEE SHEET 1	-	-	-



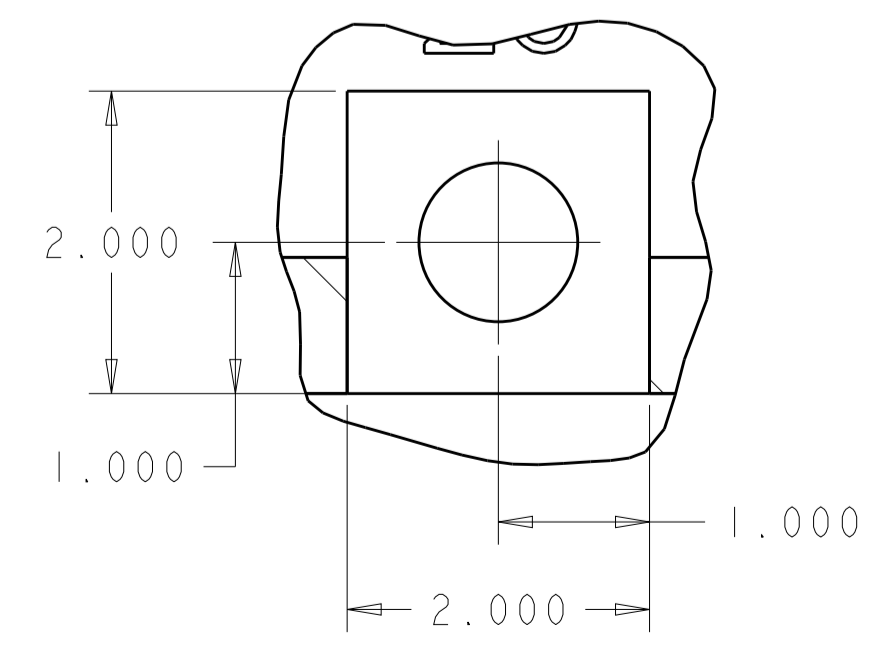
THIS DRAWING IS A CONTROLLED DOCUMENT.		DMN: PETER PAN 04FEB2013	TE Connectivity
DIMENSIONS: mm		CHK: JASON YANG 04FEB2013	
TOLERANCES UNLESS OTHERWISE SPECIFIED:		APVD: AILEY CAI 04FEB2013	NAME: OSFP
0 PLC ±0.25	1 PLC ±0.25	PRODUCT SPEC	IXI CAGE ASSEMBLY
2 PLC ±0.25	3 PLC ±0.20	108-2286	SOLDER, THRU BEZEL
4 PLC ±	ANGLES ±°	APPLICATION SPEC	SIZE: A100779
MATERIAL: -	FINISH: -	114-13217	CAGE CODE: C=2170322
CUSTOMER DRAWING		WEIGHT: -	RESTRICTED TO: -
SCALE: 2:1		SHEET 5 OF 6	
REV: D		REV: D	

LOC	DIST	REVISIONS			
GP	00	REV	DATE	BY	APPD
		1	SEE SHEET 1		



CROSS-HATCHED AREA DENOTES COMPONENT AND TRACE KEEP-OUT (EXCEPT CHASSIS GROUND)

THIS AREA DENOTES COMPONENTS KEEP-OUT (TRACES ALLOWED)



DETAIL K
SCALE 20:1

RECOMMENDED PC BOARD LAYOUT
SCALE 8:1

THIS DRAWING IS A CONTROLLED DOCUMENT.		OWN: PETER PAN 04FEB2013	TE Connectivity
DIMENSIONS: mm		CHK: JASON YANG 04FEB2013	
TOLERANCES UNLESS OTHERWISE SPECIFIED:		APPD: AILEY CAI 04FEB2013	NAME: OSFP
0 PLC	±0.25	PRODUCT SPEC	IXI CAGE ASSEMBLY
1 PLC	±0.25	APPLICATION SPEC	SOLDER, THRU BEZEL
2 PLC	±0.20	SIZE: 114-13217	RESTRICTED TO
3 PLC	±0.20	WEIGHT: -	A100779C=2170322
4 PLC	±0.20	CUSTOMER DRAWING	SCALE 2:1 SHEET 6 OF 6 REV D
ANGLES	±0.5°		
FINISH	±0.05		

X-ON Electronics

Largest Supplier of Electrical and Electronic Components

Click to view similar products for [Hard Metric Connectors](#) category:

Click to view products by [TE Connectivity](#) manufacturer:

Other Similar products are found below :

[6345127-1](#) [646916-9](#) [6469658-1](#) [973108](#) [1-2000713-0](#) [1-2000713-2](#) [1-2000713-3](#) [1645343-1](#) [1645456-1](#) [1645594-1](#) [1645595-1](#) [1645601-1](#)
[1934822-1](#) [278071110010833](#) [1645179-1](#) [1645245-1](#) [1645457-1](#) [1645525-1](#) [1645570-1](#) [1645596-1](#) [17041102202](#) [1857470-1](#) [1934275-1](#)
[1934289-1](#) [1934759-1](#) [2000673-1](#) [2170292-2](#) [2-536642-6](#) [3-106015-1](#) [352188-1](#) [352629-1](#) [5120823-1](#) [5120899-1](#) [3-100145-0](#) [3-100147-0](#)
[3-100669-1](#) [3-106081-0](#) [HM2DK2368PLF](#) [5646530-1](#) [3-352049-0](#) [3-352069-0](#) [3-352115-0](#) [3-352638-0](#) [352189-1](#) [3-646357-0](#) [3-646487-0](#)
[3-646513-0](#) [106726-1](#) [114352](#) [114619](#)