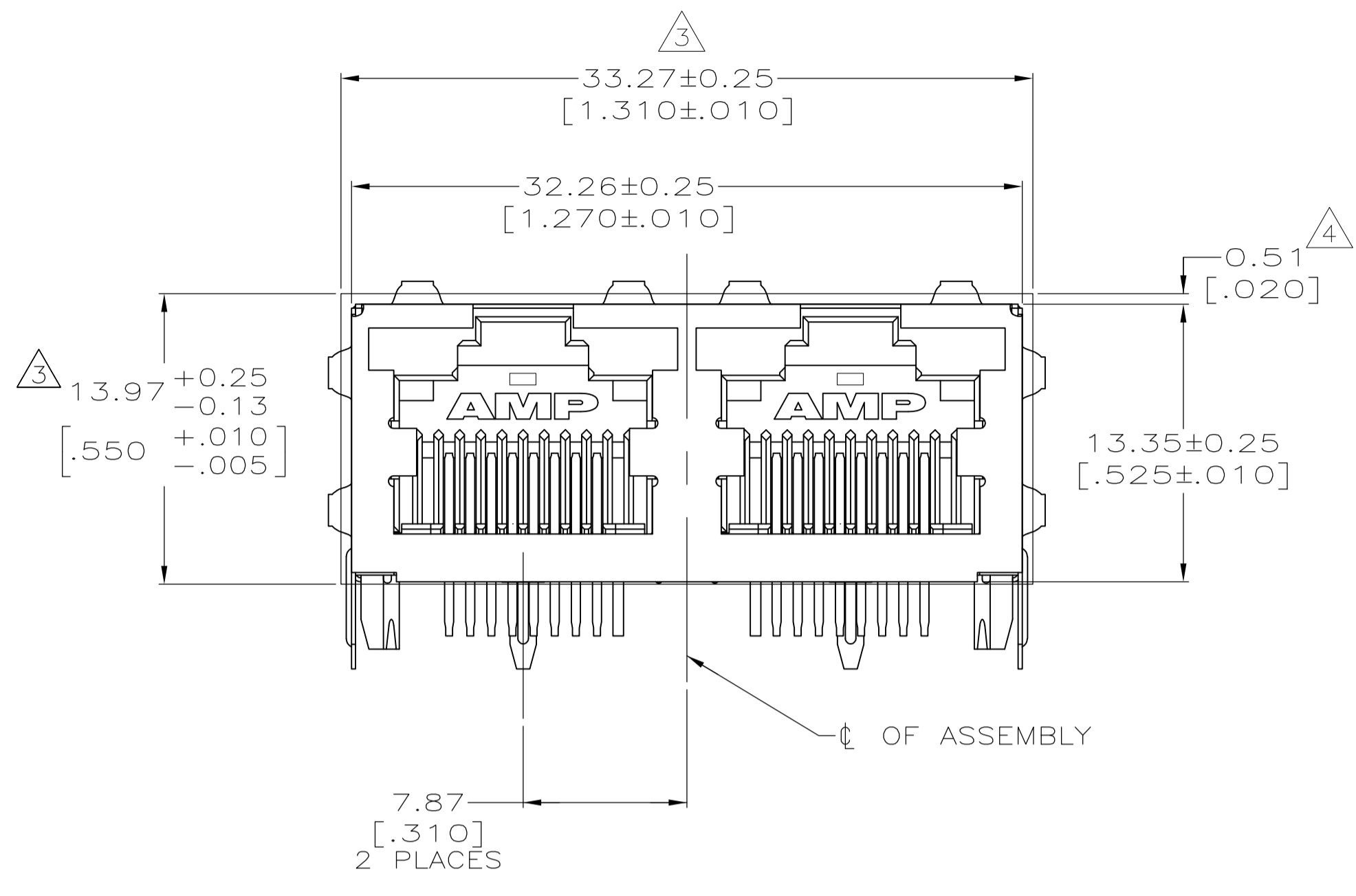
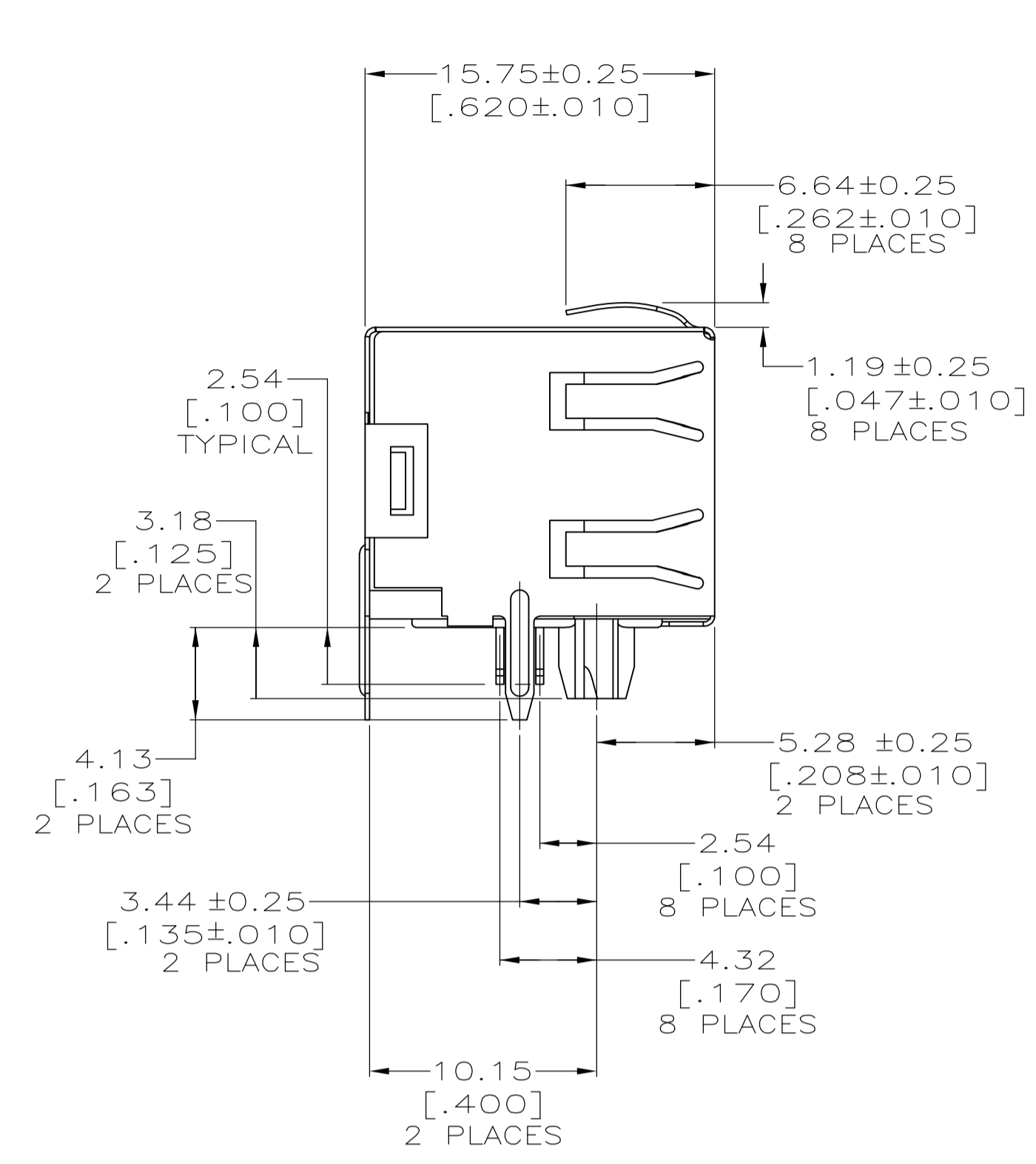
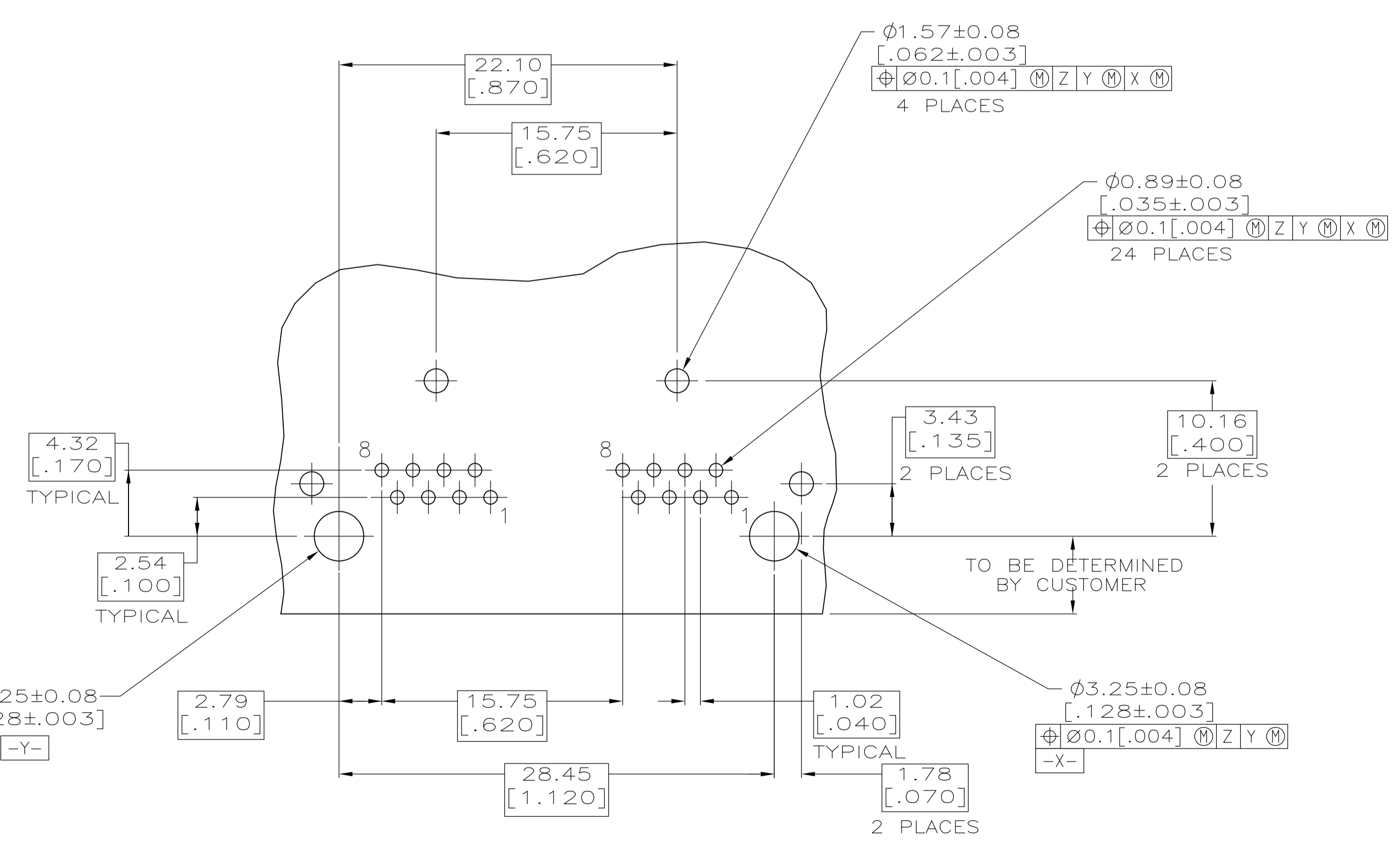


| LOC |         | DIST          |     | REVISIONS |           |    |        |
|-----|---------|---------------|-----|-----------|-----------|----|--------|
| AA  | 22      | REV           | PER | ECO       | DATE      | BY | APPROV |
| A   | REV PER | ECO-15-006286 |     |           | 04MAY2115 | AD | SH     |



- △ MATERIAL: POLYESTER LCP  
BLACK, UL94V-0; LEAD FREE IR REFLOW SOLDERING PROCESS COMPATIBLE.  
TERMINALS - 0.36[.014] THICK PHOS BRONZE PLATED WITH 3.81µm[.000150] MINIMUM THICK MATTE TIN IN SOLDER AREA. 1.27µm [.000050] MINIMUM GOLD IN LOCALIZED PLATE AREA. ENTIRE TERMINAL PLATED WITH 1.27µm [.000050] MINIMUM THICK NICKEL.  
SHIELD - 0.196[.0077] THICK COPPER ZINC ALLOY PREPLATED WITH 1.27µm[.000050] MINIMUM SATIN NICKEL WITH 2.03µm[.000080] MINIMUM TIN POST DIPPED ON PCB GROUND TABS.
- 2. JACK CAVITY CONFORMS TO FCC RULES AND REGULATIONS PART 68, SUBPART F.
- △ SUGGESTED PANEL OPENING DIMENSIONS.
- △ SUGGESTED CLEARANCE BETWEEN TOP OF CONNECTOR AND TOP PANEL OPENING.
- △ THE CUSTOMER FEEDING DIRECTION IS THE OPPOSITE DIRECTION WITH 2170358-1



SUGGESTED PRINTED CIRCUIT BOARD LAYOUT (COMPONENT SIDE)

|           |             |
|-----------|-------------|
| TAPE&REEL | 2170358-2   |
| TAPE&REEL | 2170358-1   |
| PACKAGE   | PART NUMBER |

|  |  |                         |  |                     |  |
|--|--|-------------------------|--|---------------------|--|
| THIS DRAWING IS A CONTROLLED DOCUMENT. |  | DIN J. JEREMY 29JUN2012 |  | STE TE Connectivity |  |
| DIMENSIONS: mm [INCHES]                |  | CIR J. JEREMY 29JUN2012 |  | NAME                |  |
| TOLERANCES UNLESS OTHERWISE SPECIFIED: |  | APPV C. ALEX 29JUN2012  |  | PRODUCT SPEC        |  |
| 0 PLC ± -                              |  | 108-1163-4              |  | APPLICATION SPEC    |  |
| 1 PLC ± -                              |  | 114-2154                |  | SIZE                |  |
| 2 PLC ± 0.25[.01]                      |  | A1 00779 C=2170358      |  | CAGE CODE           |  |
| 3 PLC ± 0.13[.005]                     |  | CUSTOMER DRAWING        |  | DRAWING NO          |  |
| 4 PLC ± -                              |  | SCALE 4:1               |  | SHEET 1 OF 1        |  |
| ANGLES ± -                             |  | REV A                   |  | RESTRICTED TO       |  |

## X-ON Electronics

Largest Supplier of Electrical and Electronic Components

*Click to view similar products for [Hard Metric Connectors](#) category:*

*Click to view products by [TE Connectivity](#) manufacturer:*

Other Similar products are found below :

[10146110-VR5C](#) [6345127-1](#) [646916-9](#) [853016](#) [973108](#) [1-2000676-2](#) [1-2000713-0](#) [1-2000713-2](#) [1-2000713-3](#) [134187](#) [1645343-1](#) [1645456-1](#) [1645601-1](#) [1934822-1](#) [223085-1](#) [278071110010833](#) [1645245-1](#) [1645525-1](#) [1645570-1](#) [1645596-1](#) [1857470-1](#) [1934275-1](#) [1934289-1](#) [1934759-1](#) [2000673-1](#) [204975](#) [2170292-2](#) [2-536642-6](#) [3-100668-0](#) [352188-1](#) [352629-1](#) [3-646346-0](#) [3-646457-0](#) [3-646529-0](#) [5120823-1](#) [5120899-1](#) [3-100145-0](#) [3-100147-0](#) [3-100669-1](#) [HM2DK2368PLF](#) [5646530-1](#) [3-352049-0](#) [3-352069-0](#) [3-352115-0](#) [3-352638-0](#) [352189-1](#) [3-646357-0](#) [3-646487-0](#) [3-646513-0](#) [51208191](#)