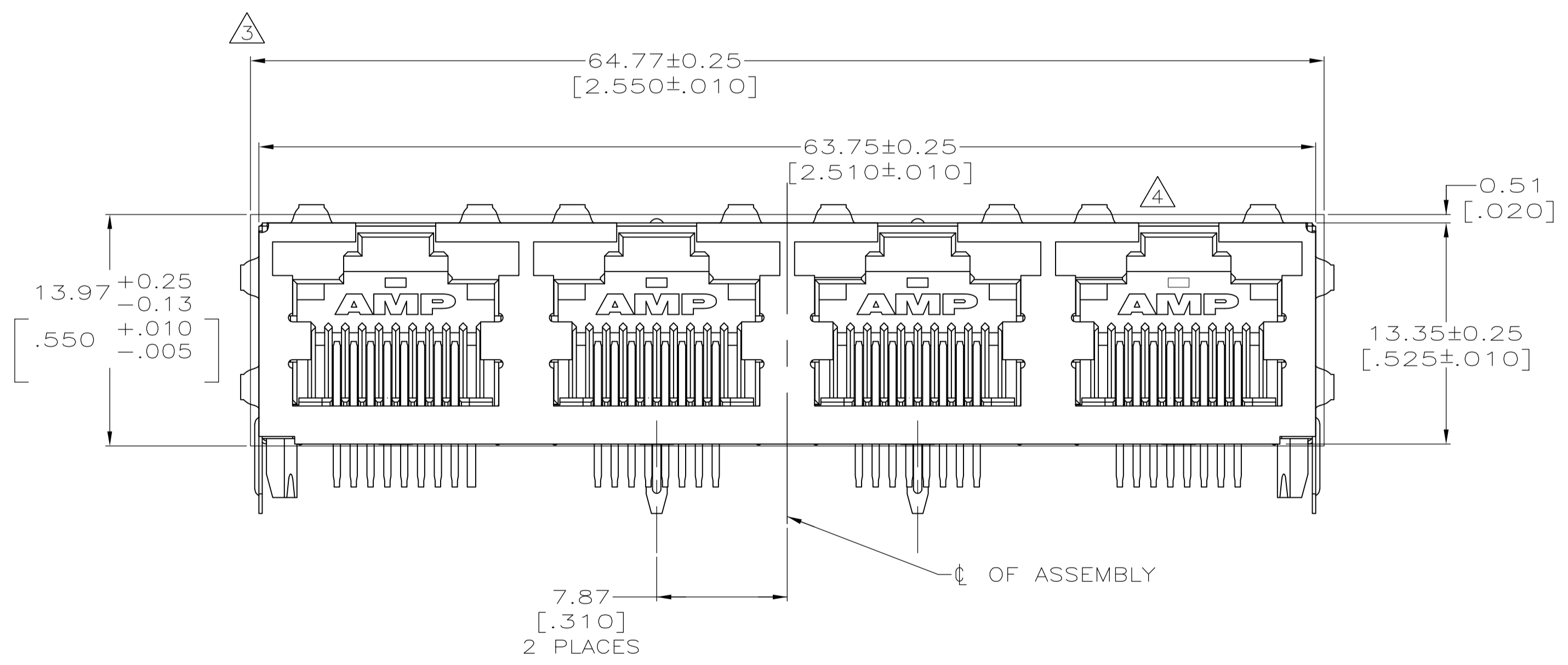
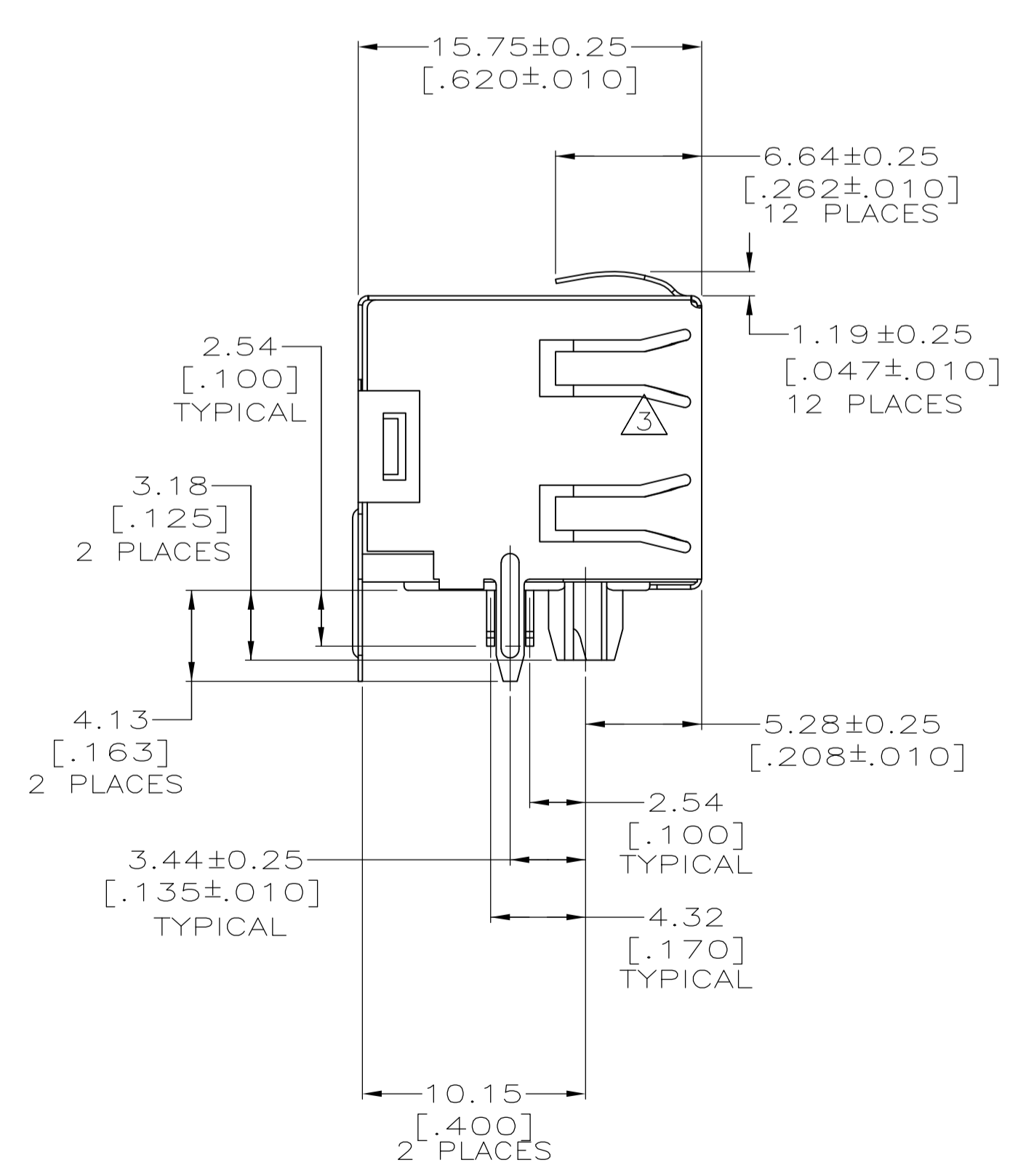


SUGGESTED PRINTED CIRCUIT BOARD LAYOUT
(COMPONENT SIDE)



- MATERIAL: POLYESTER LCP BLACK, UL94V-0; LEAD FREE IR REFLOW SOLDERING PROCESS COMPATIBLE.
- TERMINALS - .36[.014] THICK PHOS BRONZE PLATED WITH 3.81μm[.000150] MINIMUM THICK MATTE TIN IN SOLDER AREA. 1.27μm [.000050] MINIMUM GOLD IN LOCALIZED PLATE AREA. ENTIRE TERMINAL PLATED WITH 1.27μm [.000050] MINIMUM THICK NICKEL.
- SHIELD - .196[.0077] THICK COPPER ZINC ALLOY PREPLATED WITH 2.03μm[.000080] - 3.81μm [.000150] BRIGHT TIN OVER 1.27μm [.000050] THICK MIN NICKEL.
- JACK CAVITY CONFORMS TO FCC RULES AND REGULATIONS PART 68, SUBPART F.
- SUGGESTED PANEL OPENING DIMENSIONS.
- SUGGESTED CLEARANCE BETWEEN TOP OF CONNECTOR AND TOP PANEL OPENING.

TRAY	2170359-1
PACKAGE	PART NUMBER

THIS DRAWING IS A CONTROLLED DOCUMENT.		DIN J. ALCORTA - 16JUN2005		DOCK 5 16JUN2005	
DIMENSIONS: mm [INCHES]		TOLERANCES UNLESS OTHERWISE SPECIFIED:		APVD S. FLICKINGER 16JUN2005	
0 PLC ± -		1 PLC ± -		NAME	
1 PLC ± -		2 PLC ± -		INVERTED MOD JACK ASSEMBLY, 1x4, SHIELDED, PANEL GROUND	
2 PLC ± -		3 PLC ± -		PRODUCT SPEC	
3 PLC ± -		4 PLC ± -		108-1163-4	
4 PLC ANGLES ± -		APPLICATION SPEC		SIZE	
MATERIAL		FINISH		114-2154	
WEIGHT		SCALE		RESTRICTED TO	
CUSTOMER DRAWING		4:1		A1 00779 ©=2170359	
SHEET		1 OF 1		REV	
REV		1		1	

X-ON Electronics

Largest Supplier of Electrical and Electronic Components

Click to view similar products for [Hard Metric Connectors](#) category:

Click to view products by [TE Connectivity](#) manufacturer:

Other Similar products are found below :

[10146110-VR5C](#) [6345127-1](#) [646916-9](#) [853016](#) [973108](#) [1-2000676-2](#) [1-2000713-0](#) [1-2000713-2](#) [1-2000713-3](#) [134187](#) [1645343-1](#) [1645456-1](#) [1645601-1](#) [1934822-1](#) [223085-1](#) [278071110010833](#) [1645245-1](#) [1645525-1](#) [1645570-1](#) [1645596-1](#) [1857470-1](#) [1934275-1](#) [1934289-1](#) [1934759-1](#) [2000673-1](#) [204975](#) [2170292-2](#) [2-536642-6](#) [3-100668-0](#) [352188-1](#) [352629-1](#) [3-646346-0](#) [3-646457-0](#) [3-646529-0](#) [5120823-1](#) [5120899-1](#) [3-100145-0](#) [3-100147-0](#) [3-100669-1](#) [HM2DK2368PLF](#) [5646530-1](#) [3-352049-0](#) [3-352069-0](#) [3-352115-0](#) [3-352638-0](#) [352189-1](#) [3-646357-0](#) [3-646487-0](#) [3-646513-0](#) [51208191](#)