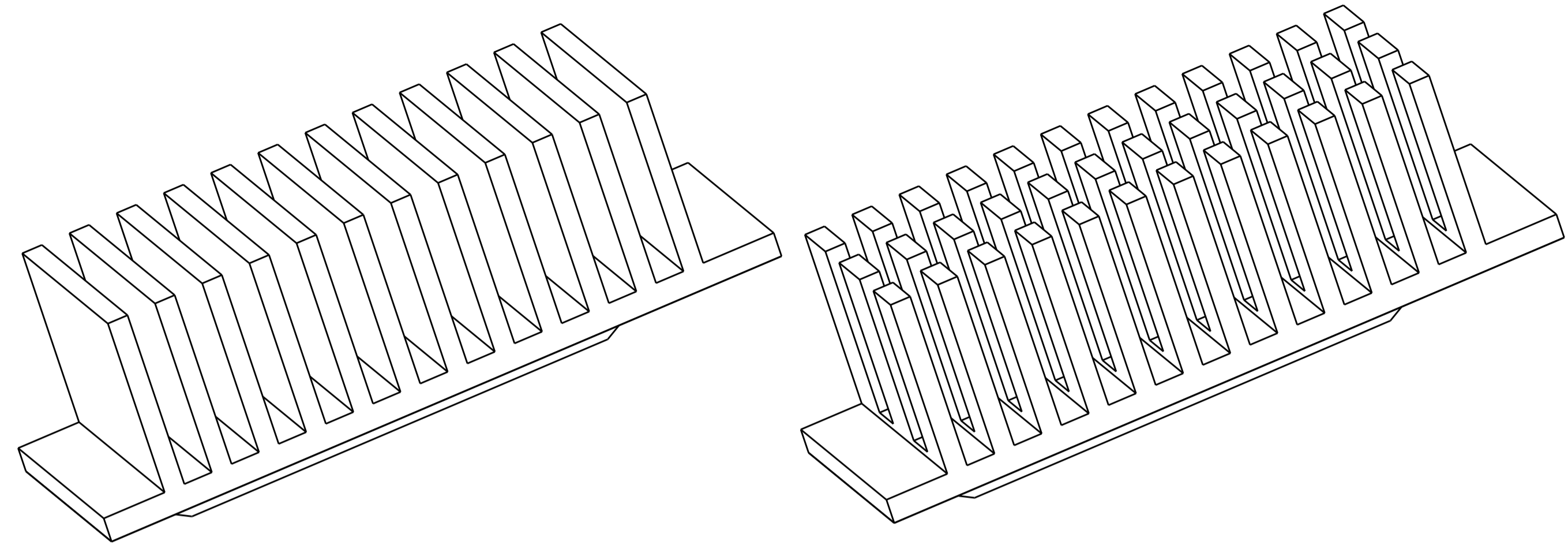


LOC		DIST		REVISIONS			
P	LTN	DESCRIPTION	DATE	DWN	APVD		
1		PRELIMINARY	17AUG2012	JY	AC		

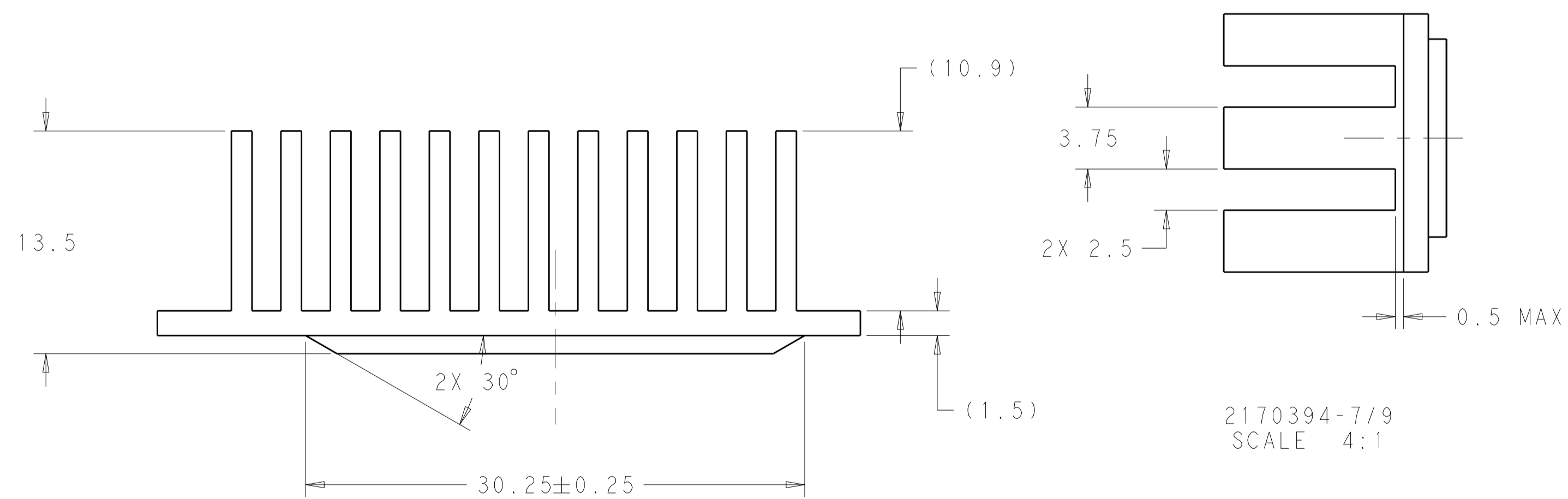
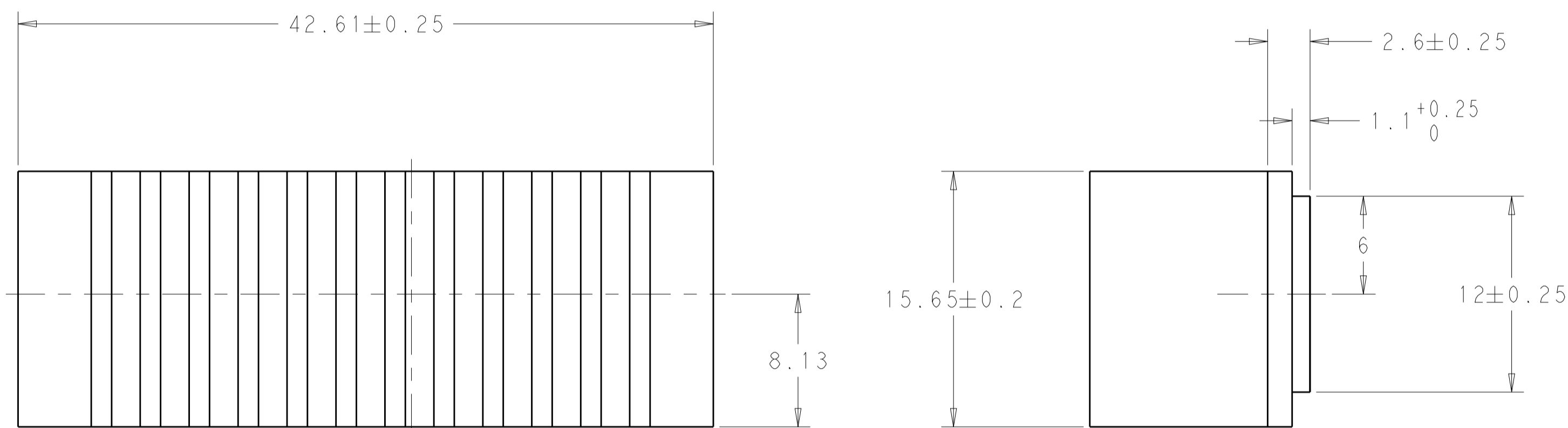


2170394-2/4
 WO LIGHT PIPE SLOTS
 SCALE 4:1

2170394-7/9
 W LIGHT PIPE SLOTS
 SCALE 4:1

NOTES:

- UNLESS OTHERWISE SPECIFIED
- ① MATERIAL: ALUMINUM.
- ② FINISH: ANODIZED BLACK.
- ③ FINISH: NICKEL PLATED.
- 4. INTERPRET DRAWING PER ASME Y14.5M - 1994.
- 5. 0,2mm MAX BURR.
- 6. VARIATION IN PLATING COLOR IS NORMAL AND ALLOWED.
- 7. RoHS COMPLIANT AND CERTIFIED.



2170394-7/9
 SCALE 4:1

③	SALE PART	2170394-9
②	SALE PART	2170394-7
③	SALE PART	2170394-4
②	SALE PART	2170394-2
FINISH	DESCRIPTION	PART NUMBER

DIMENSIONS:		TOLERANCES UNLESS OTHERWISE SPECIFIED:		MATERIAL:		FINISH:		MATERIAL:		FINISH:	
mm	0 PLC	±0.5									
	1 PLC	±0.5									
	2 PLC	±0.25									
	3 PLC	±									
	4 PLC	±									
	ANGLES	±									

THIS DRAWING IS A CONTROLLED DOCUMENT.		DWN	JASON YANG	17AUG2012	NAME		HEAT SINK, 13.5MM TALL QSPF CAGE, GANGED		
		CHK	ALEX CAI	17AUG2012	PRODUCT SPEC				
		APVD	ALEX CAI	17AUG2012	APPLICATION SPEC				
		SIZE	CAGE CODE	DRAWING NO	RESTRICTED TO				
		WEIGHT	A1	00779	C=2170394				
CUSTOMER DRAWING		SCALE	4:1	SHEET	1	OF	1	REV	1

X-ON Electronics

Largest Supplier of Electrical and Electronic Components

Click to view similar products for [I/O Connectors](#) category:

Click to view products by [TE Connectivity](#) manufacturer:

Other Similar products are found below :

[571763P](#) [58098-0628](#) [72.250.1628.2](#) [72.250.2428.2](#) [74720-0505](#) [76.350.0729.0](#) [76871-1403](#) [FCN-244F080-G/1](#) [FCN-260A9920](#) [PCR-E36PM](#) [PCS-XE26MA+](#) [G38A71314B](#) [1571250010](#) [157-22500-3](#) [MS3471L14-19P L/C](#) [172501-4002](#) [172501-6002](#) [FCN-260C008-A/L0](#) [FCN-260C024-AL0](#) [FCN-261Z008](#) [2000314-1](#) [200331-1](#) [PCR-E36FC+](#) [PCS-E28FS+](#) [PCS-XE26SLFD+](#) [PCS-XE26SLFDT+](#) [G730VID08BDC24](#) [U90B2054081210](#) [38113800006](#) [DP3AR020WQ1R200](#) [Z4.102.0680.0](#) [500-1040](#) [500-1052](#) [500-1054](#) [ZP-4008-66L](#) [0709821002](#) [DX40-20P\(55\)](#) [5554841-1](#) [MS3474W18-8P-LC*](#) [U90B3054061110](#) [U65-E04-4020](#) [ZPF000000000097891](#) [747360449](#) [10099439-003C-TRLF](#) [10137239-0021LF](#) [E9320-001-01](#) [10137239-0011LF](#) [70289-001LF](#) [70.060.1028.0](#) [109029-ZZ](#)