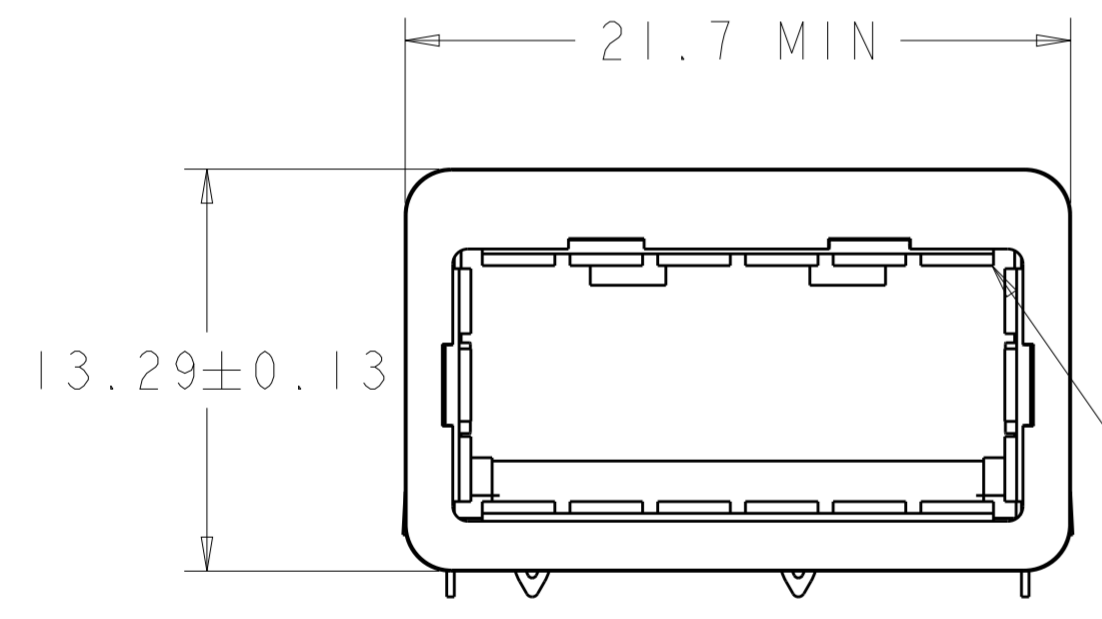
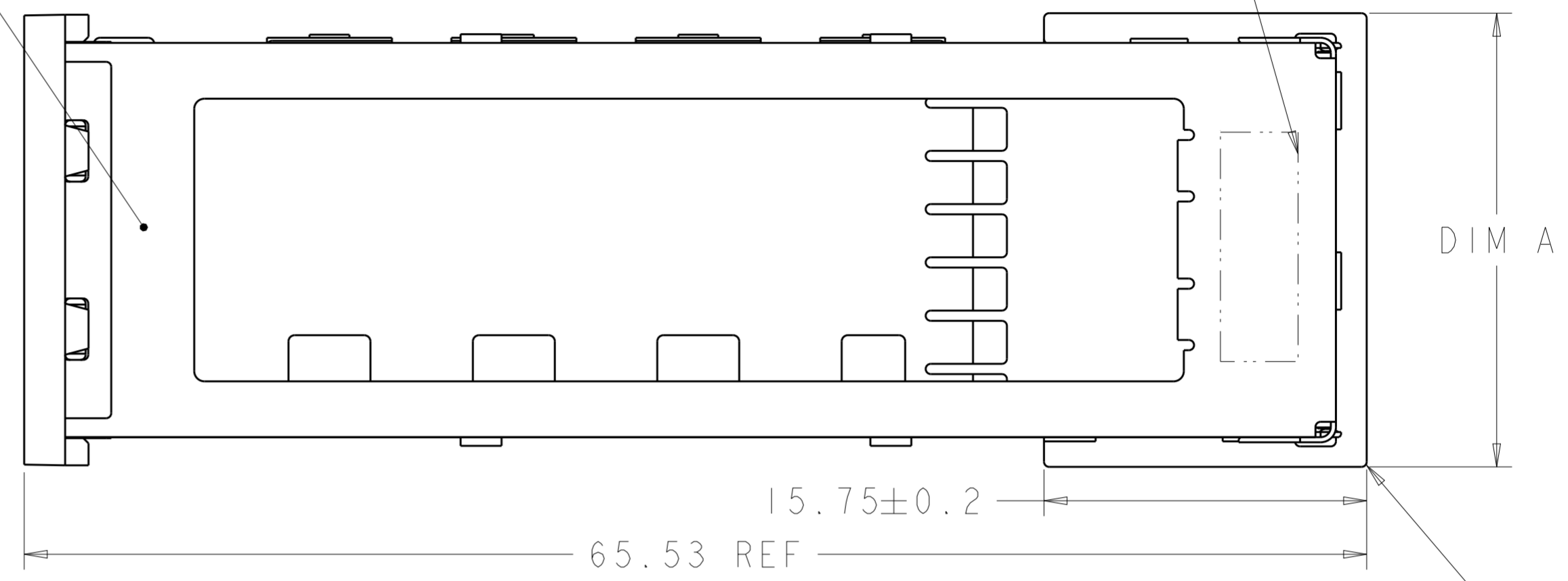


THIS DRAWING IS UNPUBLISHED. RELEASED FOR PUBLICATION 20
 © COPYRIGHT 20 BY - TE CONNECTIVITY ALL RIGHTS RESERVED.

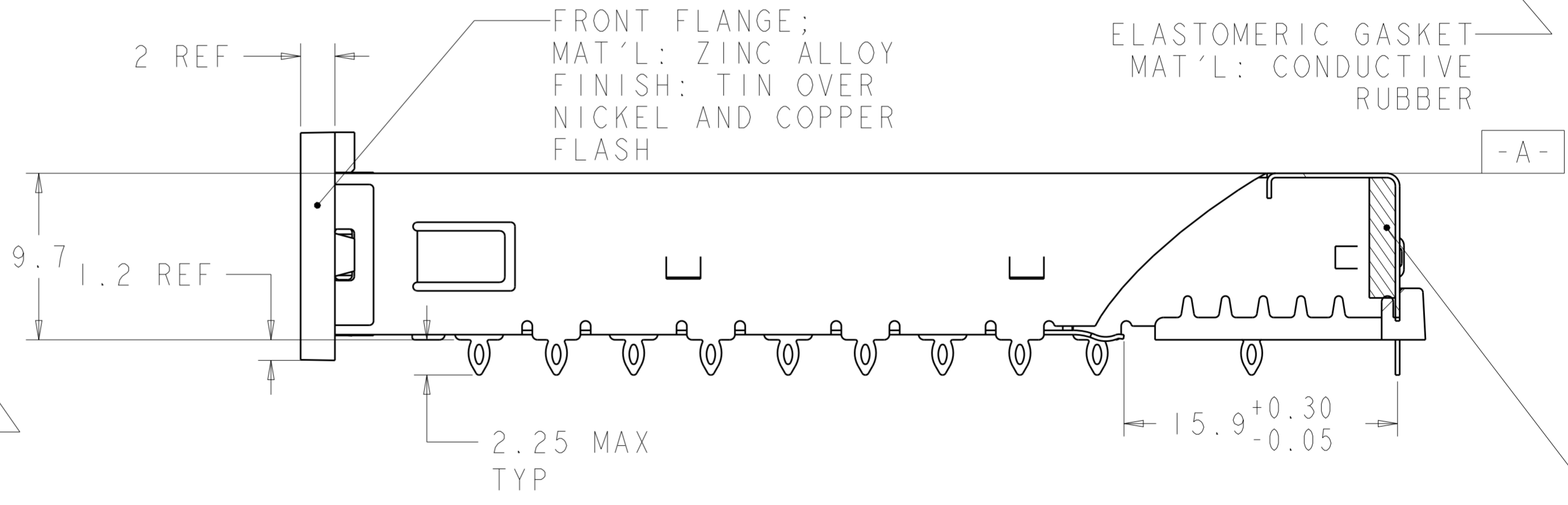
LOC	DIST	REVISIONS			
P	LTR	DESCRIPTION	DATE	DWN	APVD
ES	00	A	01NOV2016	PP	SH

XFP CAGE
 MAT'L: COPPER ALLOY
 FINISH: TIN

DATE CODE APPROXIMATE LOCATION



FRONT EMI GASKET;
 MAT'L: COPPER ALLOY
 FINISH: TIN



XFP CAGE REAR EMI GASKET;
 MAT'L: CONDUCTIVE FOAM

- ① MATES WITH XFP-MSA COMPLIANT TRANSCEIVERS.
- ② DATUM **-X-** AND **-Y-** ESTABLISHED BY CUSTOMER.
- ③ DATUM **-A-** IS TOP SURFACE OF HOST BOARD.
- ④ INDICATED SURFACES TO BE CONDUCTIVE AND CONNECTED TO CHASSIS GROUND.

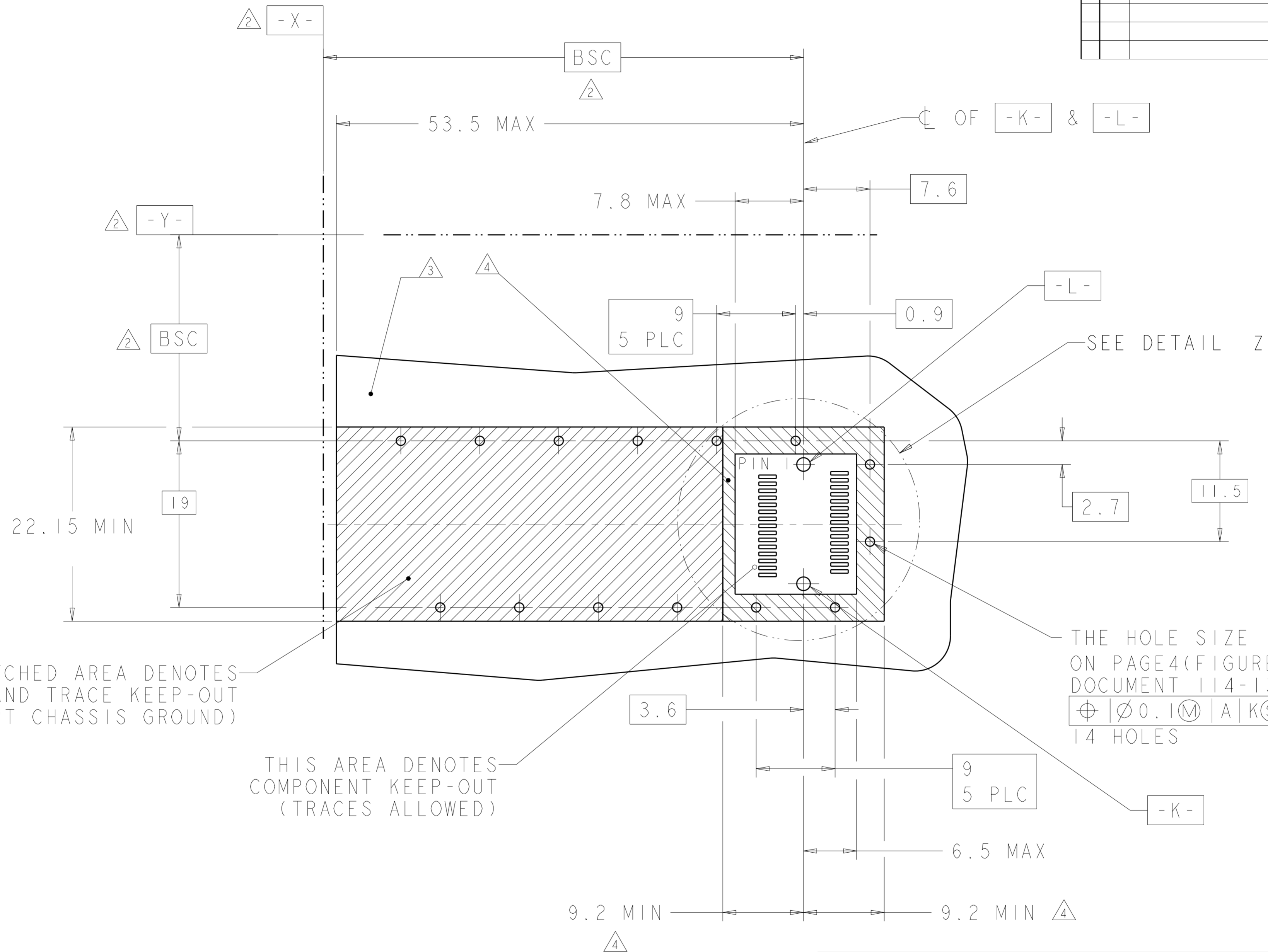
CUSTOMERIZED	23 MAX	YES	2170435-3
GENERAL	23 MAX	YES	2170435-1
EMI SPRING	DIM A	DATE CODE	PART NUMBER

THIS DRAWING IS A CONTROLLED DOCUMENT.

DIMENSIONS:	TOLERANCES UNLESS OTHERWISE SPECIFIED:	DWN PETER PAN 01-Nov-16	TE Connectivity
mm	0 PLC ±0.25	CHK JASON YANG 01-Nov-16	
	1 PLC ±0.25	APVD ALEX CAI 01-Nov-16	
	2 PLC ±0.20	PRODUCT SPEC 108-2127	
	3 PLC ±	APPLICATION SPEC 114-13096	NAME CAGE ASSEMBLY, 10 GIGABIT, XFP
	4 PLC ±	WEIGHT -	SIZE CAGE CODE DRAWING NO RESTRICTED TO
	ANGLES ±5°	CUSTOMER DRAWING	A200779 C-2170435
	FINISH	SCALE 1:1	SHEET 1 OF 3 REV A

THIS DRAWING IS UNPUBLISHED. RELEASED FOR PUBLICATION 20
 © COPYRIGHT 20 BY TE CONNECTIVITY ALL RIGHTS RESERVED.

LOC	DIST	REVISIONS					
ES	00	P	LTR	DESCRIPTION	DATE	DWN	APVD
		-		SEE SHEET 1	-	-	-

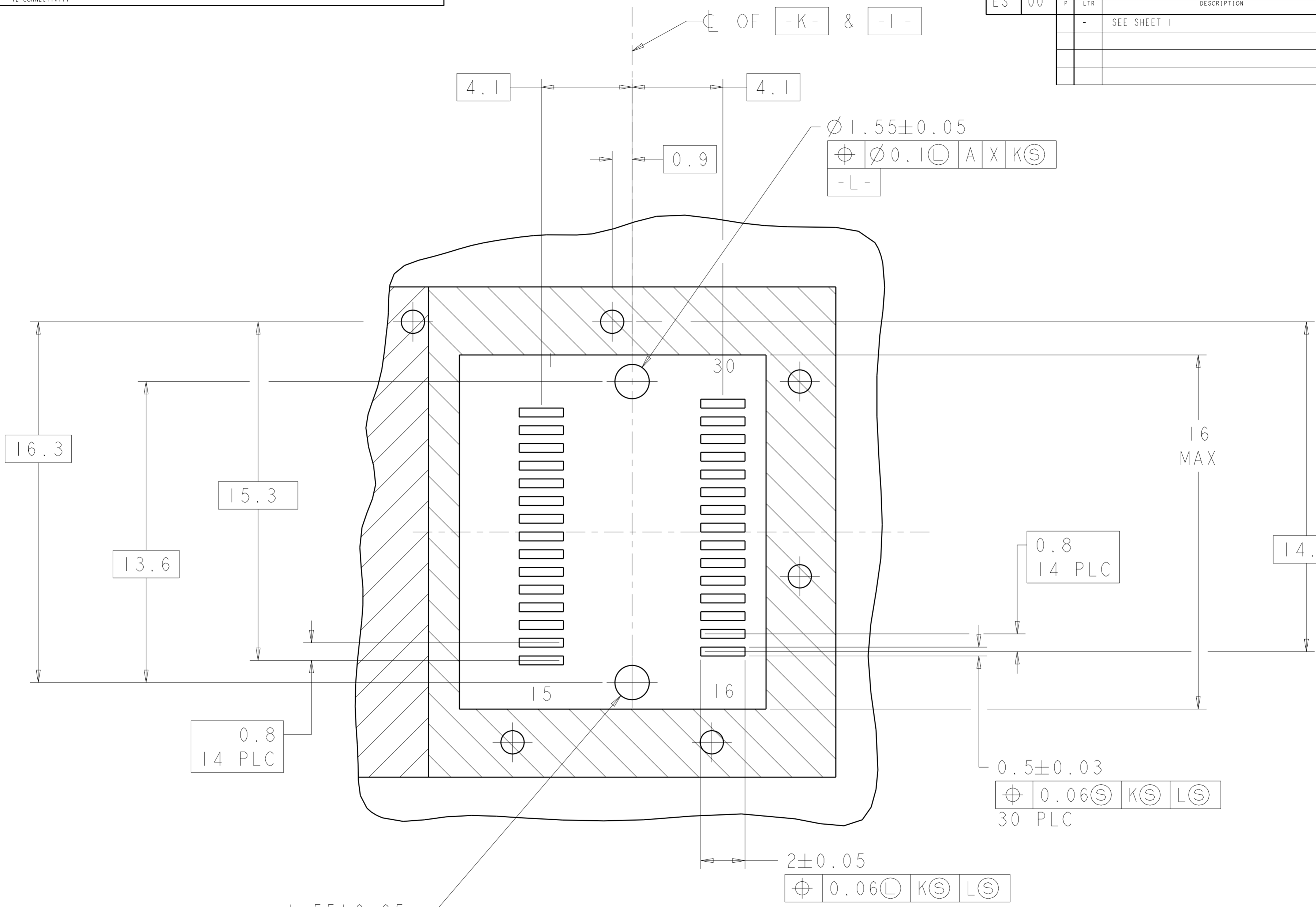


DETAILED HOST BOARD MECHANICAL LAYOUT

THIS DRAWING IS A CONTROLLED DOCUMENT.		DWN PETER PAN 01-Nov-16	TE Connectivity	
DIMENSIONS: mm		CHK JASON YANG 01-Nov-16		
TOLERANCES UNLESS OTHERWISE SPECIFIED:		APVD ALEX CAI 01-Nov-16	NAME CAGE ASSEMBLY, 10 GIGABIT, XFP	
0 PLC ±0.25 1 PLC ±0.25 2 PLC ±0.20 3 PLC ± 4 PLC ± ANGLES ±5° FINISH		PRODUCT SPEC 108-2127	SIZE CAGE CODE DRAWING NO RESTRICTED TO	
MATERIAL		APPLICATION SPEC 114-13096	A200779 C-2170435	
		WEIGHT	SCALE 1:1 SHEET 2 OF 3 REV A	
		CUSTOMER DRAWING		

THIS DRAWING IS UNPUBLISHED. RELEASED FOR PUBLICATION 20
 © COPYRIGHT 20 BY - TE CONNECTIVITY ALL RIGHTS RESERVED.

LOC	DIST	REVISIONS					
ES	00	P	LTR	DESCRIPTION	DATE	DWN	APVD
		-		SEE SHEET 1	-	-	-



1.55 ± 0.05
 $\oplus \varnothing 0.1 \text{ (L) A X Y}$
 -K-

DETAIL Z
 SCALE 8:1

DETAILED HOST BOARD MECHANICAL LAYOUT

THIS DRAWING IS A CONTROLLED DOCUMENT.		DWN PETER PAN 01-Nov-16	TE Connectivity
DIMENSIONS: mm		CHK JASON YANG 01-Nov-16	
TOLERANCES UNLESS OTHERWISE SPECIFIED:		APVD ALEX CAI 01-Nov-16	
0 PLC ±0.25 1 PLC ±0.25 2 PLC ±0.20 3 PLC ± 4 PLC ± ANGLES ±5° FINISH		NAME CAGE ASSEMBLY, 10 GIGABIT, XFP PRODUCT SPEC 108-2127 APPLICATION SPEC 114-13096 WEIGHT - CUSTOMER DRAWING	
MATERIAL -		SIZE A200779	CAGE CODE C-2170435
		SCALE 4:1	RESTRICTED TO -
		SHEET 3 OF 3	REV A

X-ON Electronics

Largest Supplier of Electrical and Electronic Components

Click to view similar products for [Bench Top Tools](#) category:

Click to view products by [TE Connectivity](#) manufacturer:

Other Similar products are found below :

[63801-7271](#) [5-690451-2](#) [570416-000](#) [59737-3](#) [6-1372442-6](#) [6-21084-7](#) [6-2119582-2](#) [63801-4462](#) [63801-7269](#) [639029070](#) [679527-1](#) [68284-1](#) [690223-2](#) [691530-1](#) [7-18023-8](#) [768514-1](#) [768539-1](#) [768597-1](#) [809696-1](#) [810408](#) [811070-1](#) [819347-1](#) [852772-1](#) [853858-1](#) [854130-1](#) [854178-1](#) [854946-1](#) [854946-2](#) [856189-1](#) [904262-1](#) [904449-1](#) [9-1633962-3](#) [9-1633962-4](#) [9-1633962-5](#) [9-22279-4](#) [9-22280-9](#) [970609-000](#) [986096-2](#) [1-1901695-2](#) [1-1901696-2](#) [992438-3](#) [1-1976053-3](#) [1-2119644-2](#) [1-2119644-3](#) [1-2119791-1](#) [1-25022-4](#) [125327-000](#) [122760-1](#) [1-23470-5](#) [126379-1](#)