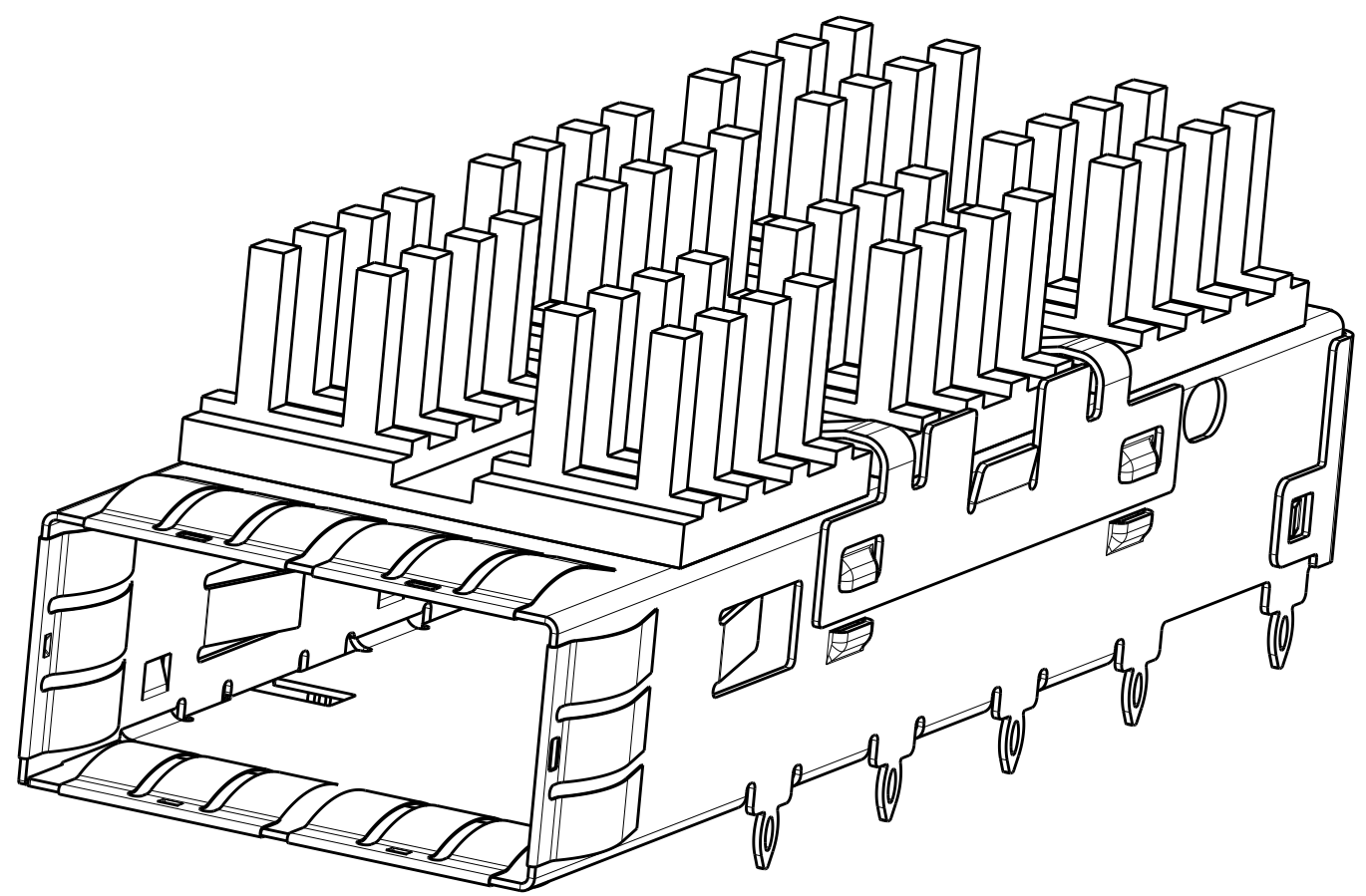
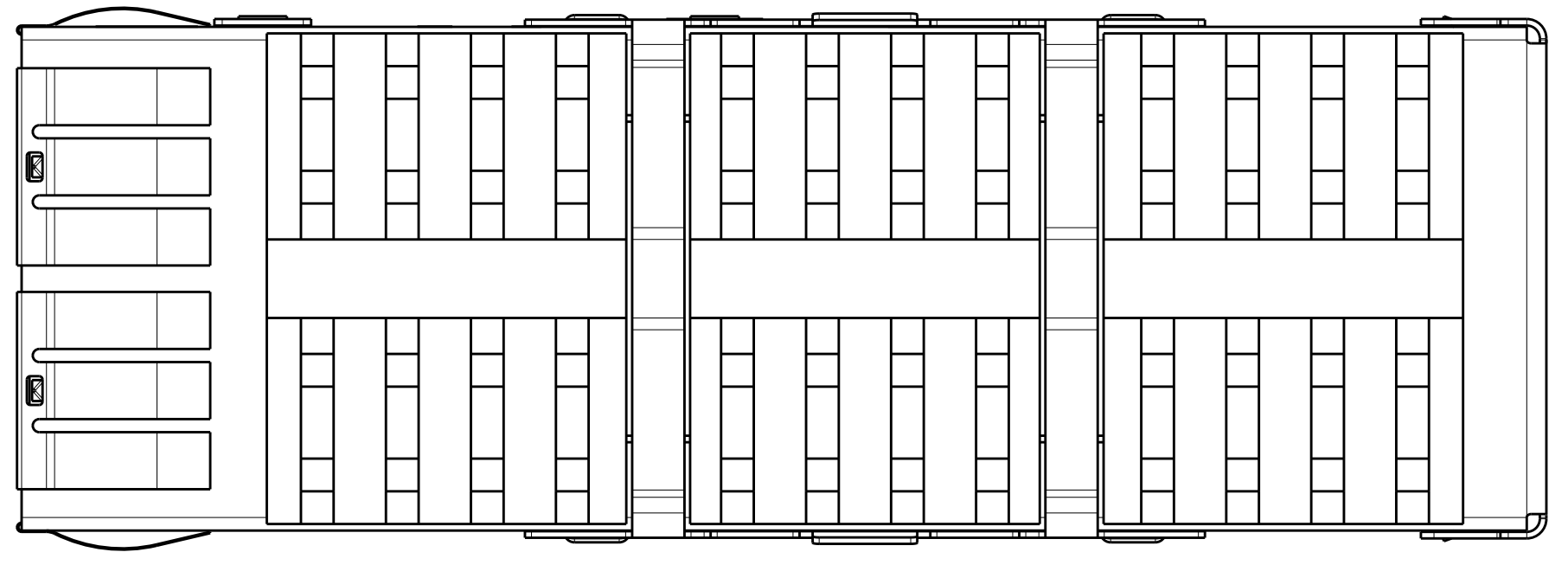


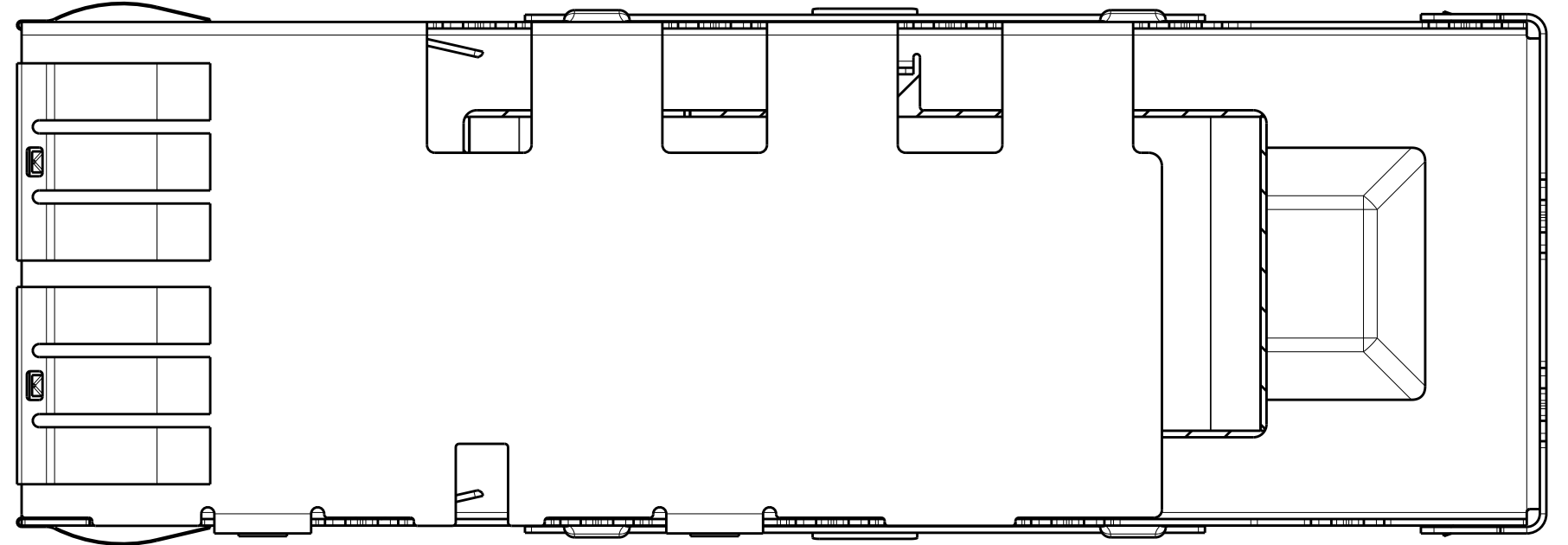
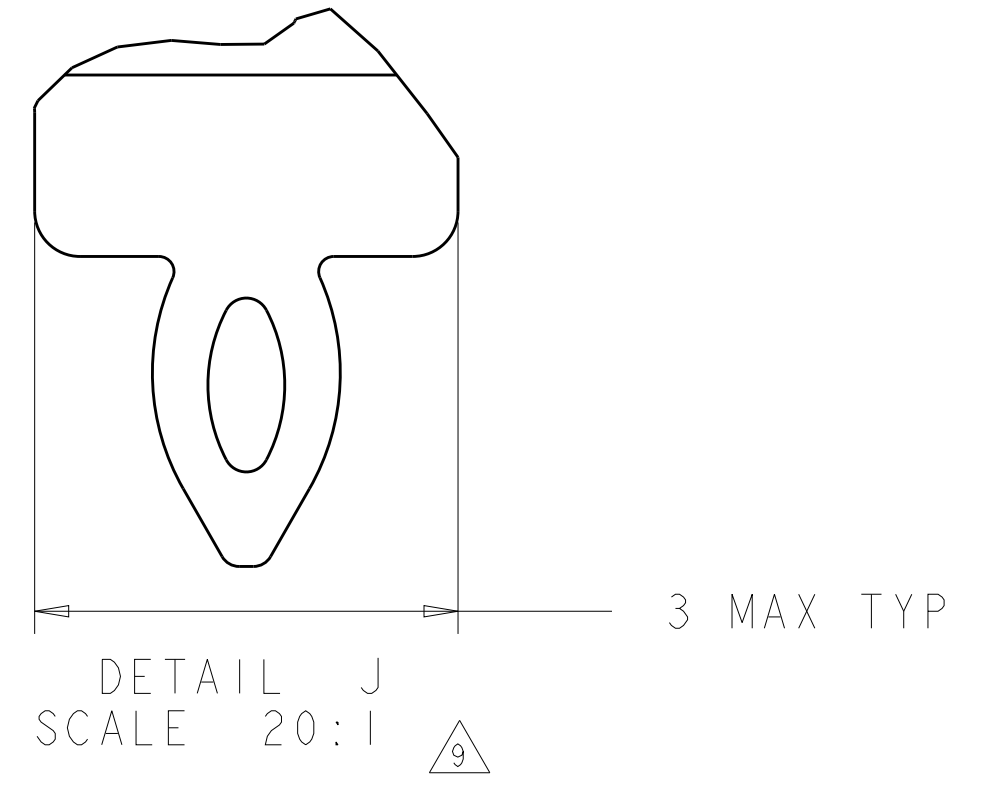
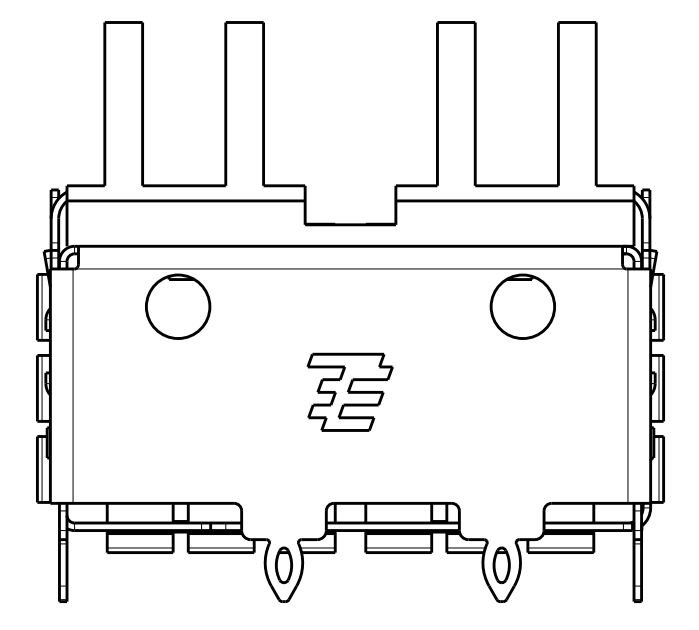
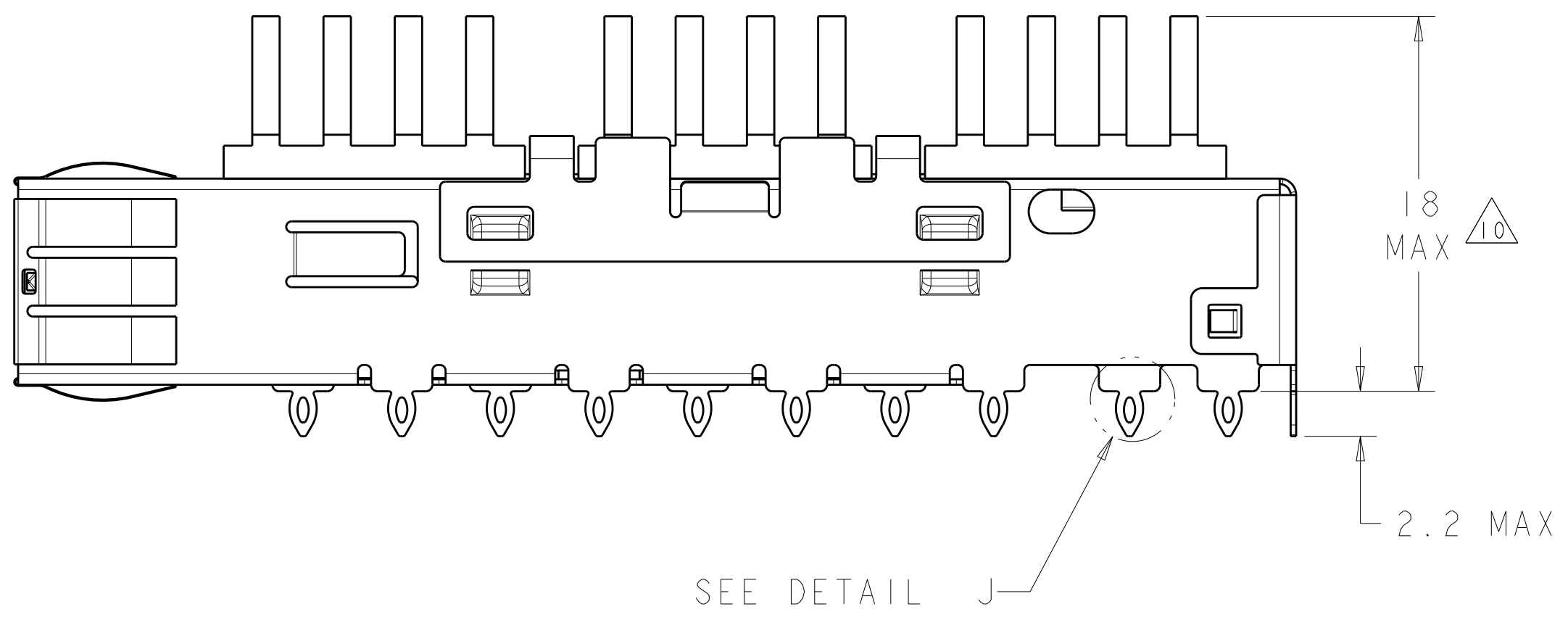
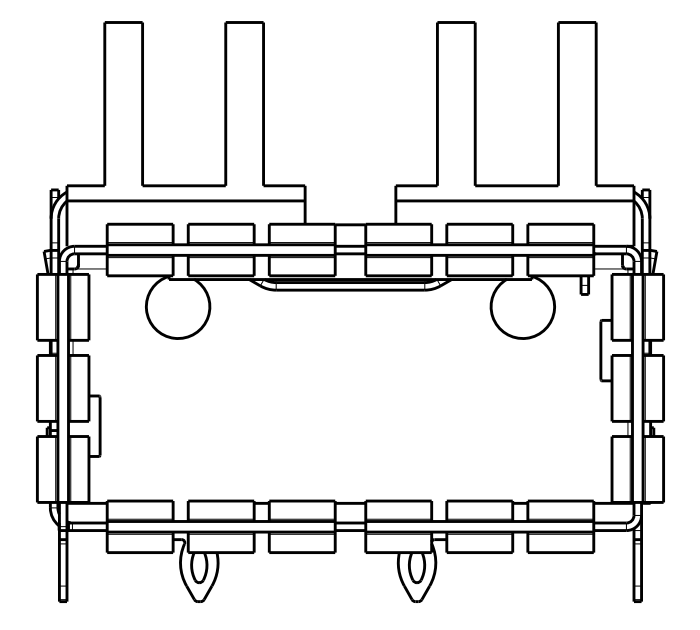
LOC	DIST	REVISIONS					
		P	LTN	DESCRIPTION	DATE	DWN	APVD
GP	00	I		PRELIMINARY	19SEP2012	DZ	JY



SCALE 4:1



- 1. CAGE MATERIAL: NICKEL SILVER, 0.25 THICK  
 HEAT SINK MATERIAL: ALUMINUM  
 HEAT SINK CLIP MATERIAL: STAINLESS STEEL  
 EMI SPRINGS MATERIAL: COPPER ALLOY
- 2. MINIMUM PITCH DIMENSION.
- 3. MATES WITH QSFP MSA COMPATIBLE TRANSCEIVER.
- 4. REFERENCE APPLICATION SPEC 114-13217 FOR RECOMMENDED DRILL HOLE DIAMETER AND PLATING THICKNESS.
- 5. DATUMS AND BASIC DIMENSIONS ESTABLISHED BY CUSTOMER.
- 6. MINIMUM PC BOARD THICKNESS:  
 SINGLE SIDED = 1.45mm (shown, pg. 4)  
 DOUBLE SIDED = 2.2mm
- 7. HEATSINK AND CLIP SHIPPED ASSEMBLED TO CAGE ASSEMBLY. CAGE ASSEMBLY MAY BE PRESSED INTO THE PCB AS SHIPPED.
- 8. DATUM -A- IS TOP SURFACE OF HOST BOARD.
- 9. SURFACE TRACES PERMITTED WITHIN THIS AREA EXCEPT WHERE CAGE STANDOFFS, SHOWN IN DETAIL J, CONTACT PC BOARD.
- 10. DIMENSION APPLIES WITH MODULE INSTALLED IN THE CAGE.
- 11. DATE CODE MARKED ON TOP OF CAGE AND CONCEALED BY HEAT SINK APPLIES TO CAGE ASSEMBLY ONLY.
- 12. SPRING FINISH: 0.8um MIN TIN OVER 0.8um MIN NICKEL. NON-PLATED EDGES PERMISSIBLE.  
 HEAT SINK FINISH: 0.076 um MIN NICKEL.

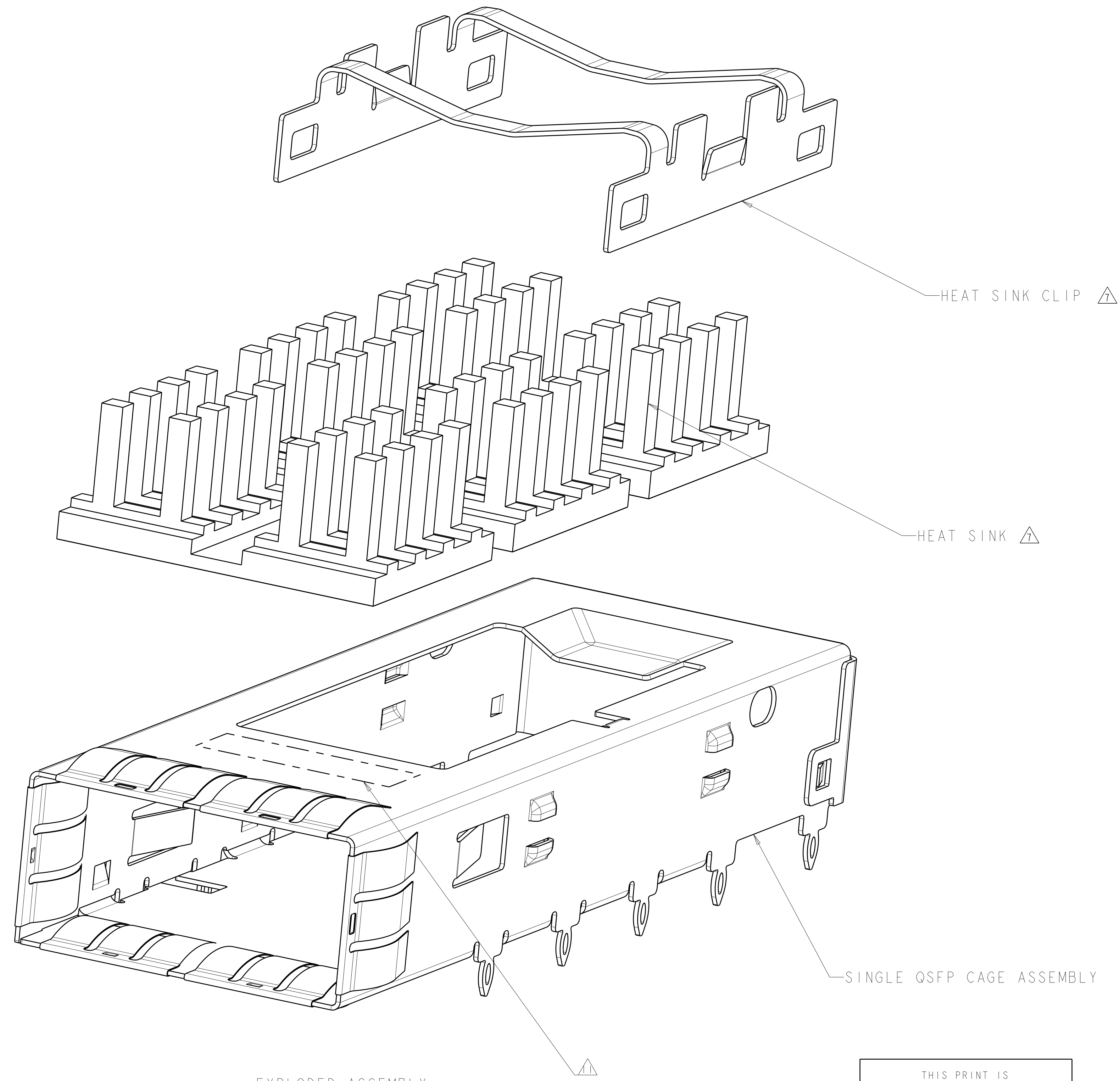


PART NUMBER  
2170450-1

THIS PRINT IS  
**PRELIMINARY**  
UNQUALIFIED PRODUCT  
CONTACT PRODUCT ENGINEERING  
BEFORE USING THIS PRINT

THIS DRAWING IS A CONTROLLED DOCUMENT.		DWN: D. ZHU 19SEP2012	TE Connectivity NAME: CAGE ASSEMBLY, THRU BEZEL, QSFP WITH HEAT SINK PRODUCT SPEC: 108-2286 APPLICATION SPEC: 114-13217 SIZE: A1 CAGE CODE: 00779 DRAWING NO: C=2170450 RESTRICTED TO: - SCALE: 2:1 SHEET 1 OF 4 REV 1
DIMENSIONS:		CHK: J. YANG 19SEP2012	
TOLERANCES UNLESS OTHERWISE SPECIFIED:		APVD: A. CAL 19SEP2012	
MATERIAL:		Customer Drawing	

LOC	DIST	REVISIONS					
		P.	LTN	DESCRIPTION	DATE	DWN	APVD
GP	00	-	-	SEE SHEET 1	-	-	-

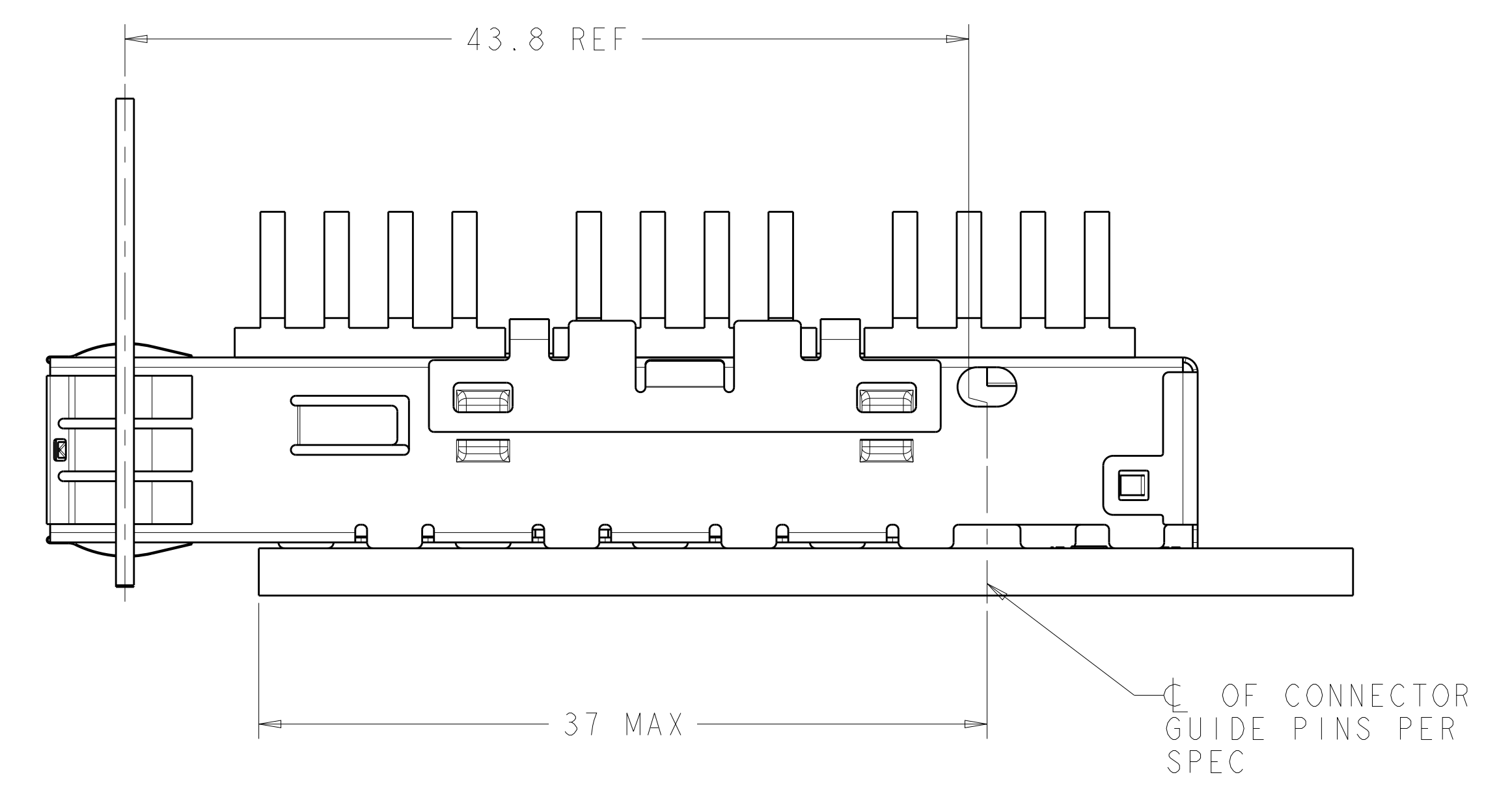
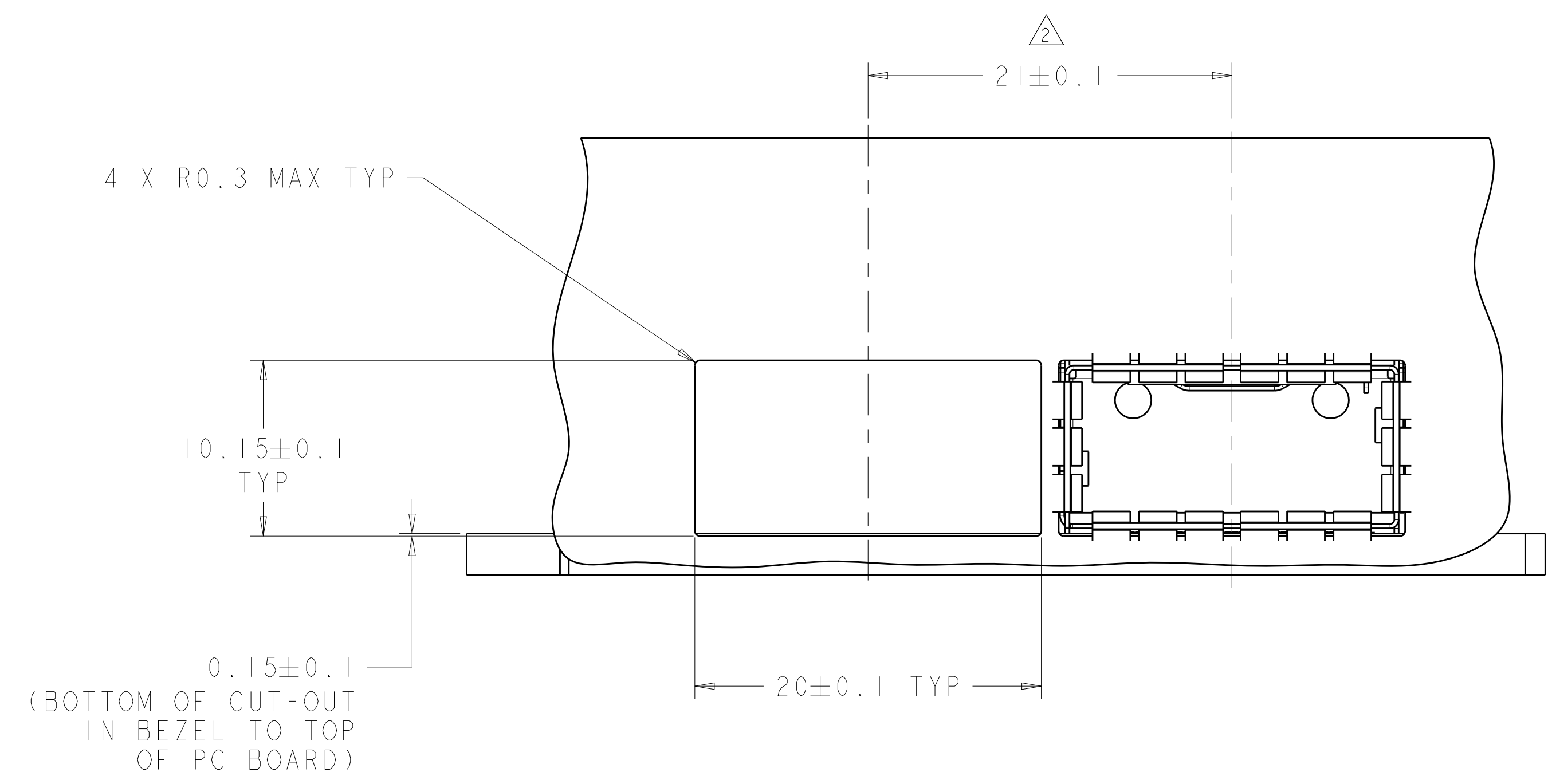


EXPLODED ASSEMBLY  
 SCALE 8:1

THIS PRINT IS  
**PRELIMINARY**  
 UNQUALIFIED PRODUCT  
 CONTACT PRODUCT ENGINEERING  
 BEFORE USING THIS PRINT

THIS DRAWING IS A CONTROLLED DOCUMENT.		DWN D. ZHU	19SEP2012	TE Connectivity NAME CAGE ASSEMBLY, THRU BEZEL , QSFP WITH HEAT SINK PRODUCT SPEC 108-2286 APPLICATION SPEC 114-13217 WEIGHT - Customer Drawing	RESTRICTED TO		
DIMENSIONS:		CHK J. YANG	19SEP2012		SIZE	CAGE CODE	DRAWING NO
mm		APVD A. CAI	19SEP2012		A1	00779	C=2170450
0 PLC ± 1 PLC ±0.25 2 PLC ±0.13 3 PLC ± 4 PLC ± ANGLES ± FINISH ±					SCALE	SHEET	OF
MATERIAL				2:1	2	4	REV
							1

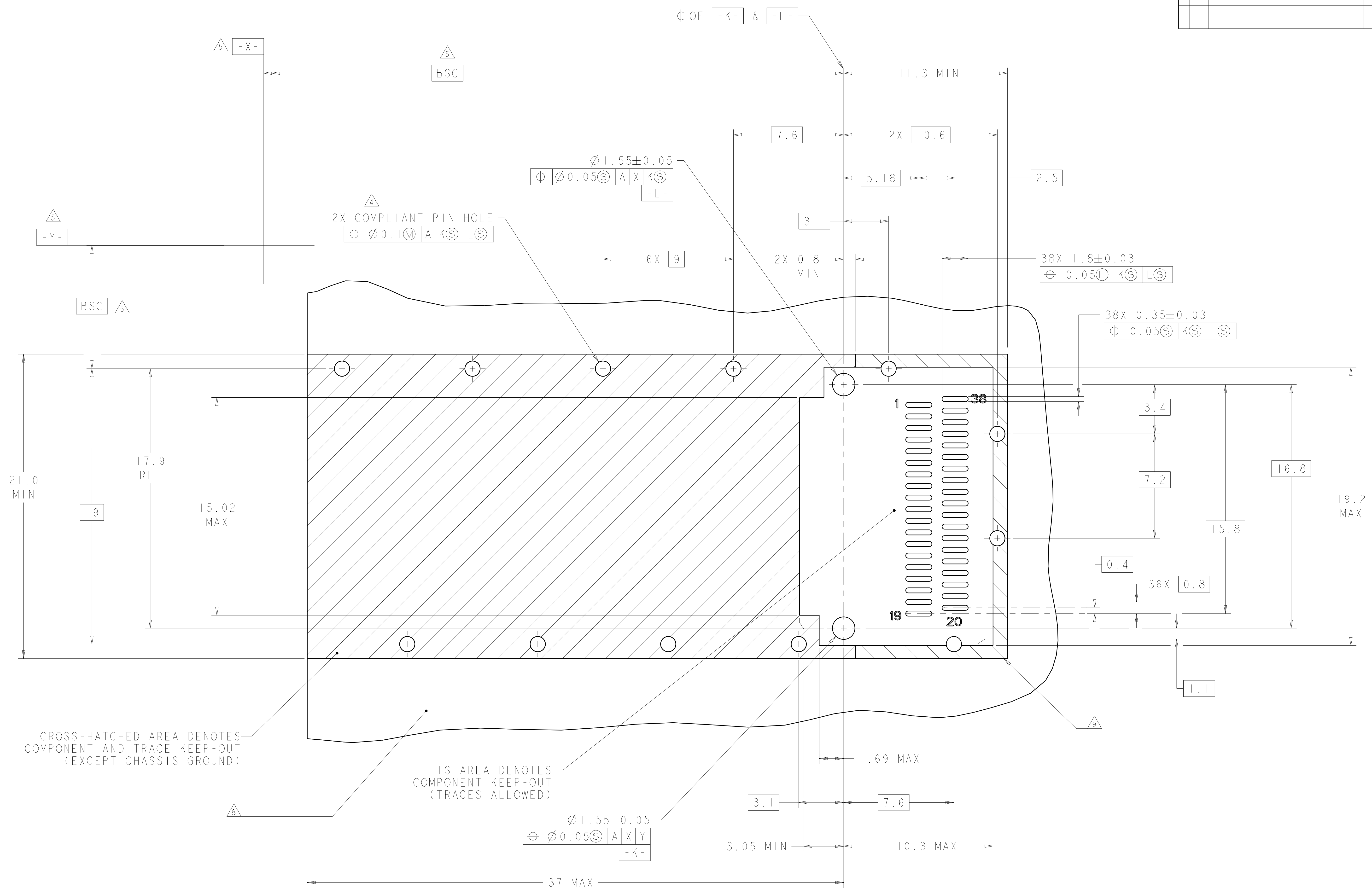
LOC	DIST	REVISIONS			
P	LTN	DESCRIPTION	DATE	DMN	APVD
GP	00	SEE SHEET 1	-	-	-



THIS PRINT IS  
**PRELIMINARY**  
 UNQUALIFIED PRODUCT  
 CONTACT PRODUCT ENGINEERING  
 BEFORE USING THIS PRINT

THIS DRAWING IS A CONTROLLED DOCUMENT.		DMN D. ZHU 19SEP2012	19SEP2012		NAME CAGE ASSEMBLY, THRU BEZEL, OSFP WITH HEAT SINK
DIMENSIONS:		CHK J. YANG 19SEP2012	19SEP2012		
TOLERANCES UNLESS OTHERWISE SPECIFIED:		APVD A. CAI 19SEP2012	19SEP2012		
mm		0 PLC ±	108-2286		
1 PLC ±0.25		2 PLC ±0.13	APPLICATION SPEC	SIZE	CAGE CODE
3 PLC ±		4 PLC ±	114-13217	A1	00779
ANGLES		FINISH	WEIGHT	C=2170450	
MATERIAL		Customer Drawing		SCALE	2:1
				SHEET	3 OF 4
				REV	1

LOC		DIST		REVISIONS			
GP	00	P	LTH	DESCRIPTION	DATE	DWN	APVD
-	-	-	-	SEE SHEET 1	-	-	-



CROSS-HATCHED AREA DENOTES COMPONENT AND TRACE KEEP-OUT (EXCEPT CHASSIS GROUND)

THIS AREA DENOTES COMPONENT KEEP-OUT (TRACES ALLOWED)

RECOMMENDED PCB LAYOUT  
SCALE 8:1

THIS PRINT IS  
**PRELIMINARY**  
UNQUALIFIED PRODUCT  
CONTACT PRODUCT ENGINEERING  
BEFORE USING THIS PRINT

THIS DRAWING IS A CONTROLLED DOCUMENT.		DWN D. ZHU 19SEP2012	TE Connectivity
DIMENSIONS: mm		CHK J. YANG 19SEP2012	
TOLERANCES UNLESS OTHERWISE SPECIFIED:		APVD A. CAI 19SEP2012	NAME CAGE ASSEMBLY, THRU BEZEL, QSPF WITH HEAT SINK
0 PLC ±	1 PLC ±0.25	PRODUCT SPEC 108-2286	SIZE A1
2 PLC ±0.13	3 PLC ±	APPLICATION SPEC 114-13217	CAGE CODE 00779
4 PLC ±	5 PLC ±	WEIGHT -	DRAWING NO 2170450
ANGLES ±	FINISH ±	Customer Drawing	RESTRICTED TO -
		SCALE 2:1	SHEET 4 OF 4

## X-ON Electronics

Largest Supplier of Electrical and Electronic Components

*Click to view similar products for [I/O Connectors](#) category:*

*Click to view products by [TE Connectivity](#) manufacturer:*

Other Similar products are found below :

[571763P](#) [58098-0628](#) [72.250.1628.2](#) [72.250.2428.2](#) [74720-0505](#) [76.350.0729.0](#) [76871-1403](#) [FCN-244F080-G/1](#) [FCN-260A9920](#) [PCR-E36PM](#) [PCS-XE26MA+](#) [G38A71314B](#) [1571250010](#) [157-22500-3](#) [MS3471L14-19P L/C](#) [172501-4002](#) [172501-6002](#) [FCN-260C008-A/L0](#) [FCN-260C024-AL0](#) [FCN-261Z008](#) [2000314-1](#) [200331-1](#) [PCR-E36FC+](#) [PCS-E28FS+](#) [PCS-XE26SLFD+](#) [PCS-XE26SLFDT+](#) [G730VID08BDC24](#) [U90B2054081210](#) [38113800006](#) [DP3AR020WQ1R200](#) [Z4.102.0680.0](#) [500-1040](#) [500-1052](#) [500-1054](#) [ZP-4008-66L](#) [0709821002](#) [DX40-20P\(55\)](#) [5554841-1](#) [MS3474W18-8P-LC\\*](#) [U90B3054061110](#) [U65-E04-4020](#) [ZPF000000000097891](#) [747360449](#) [10099439-003C-TRLF](#) [10137239-0021LF](#) [E9320-001-01](#) [10137239-0011LF](#) [70289-001LF](#) [70.060.1028.0](#) [109029-ZZ](#)