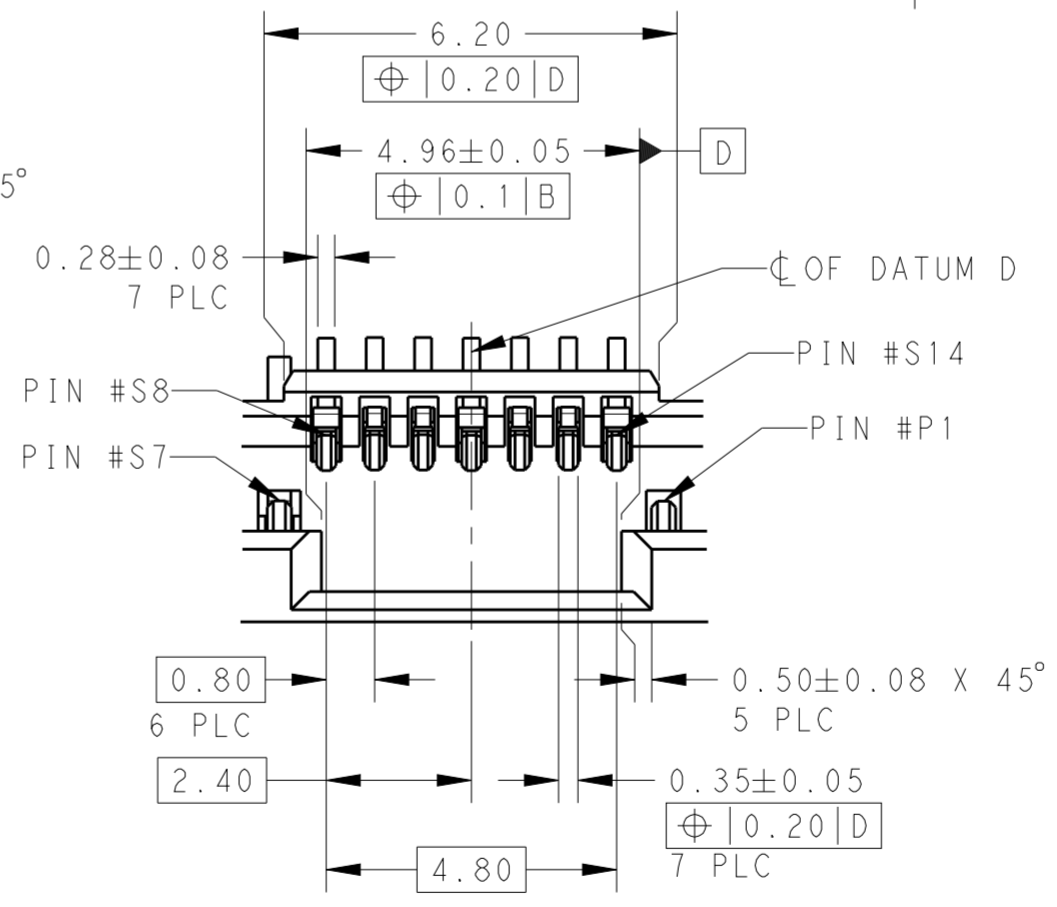
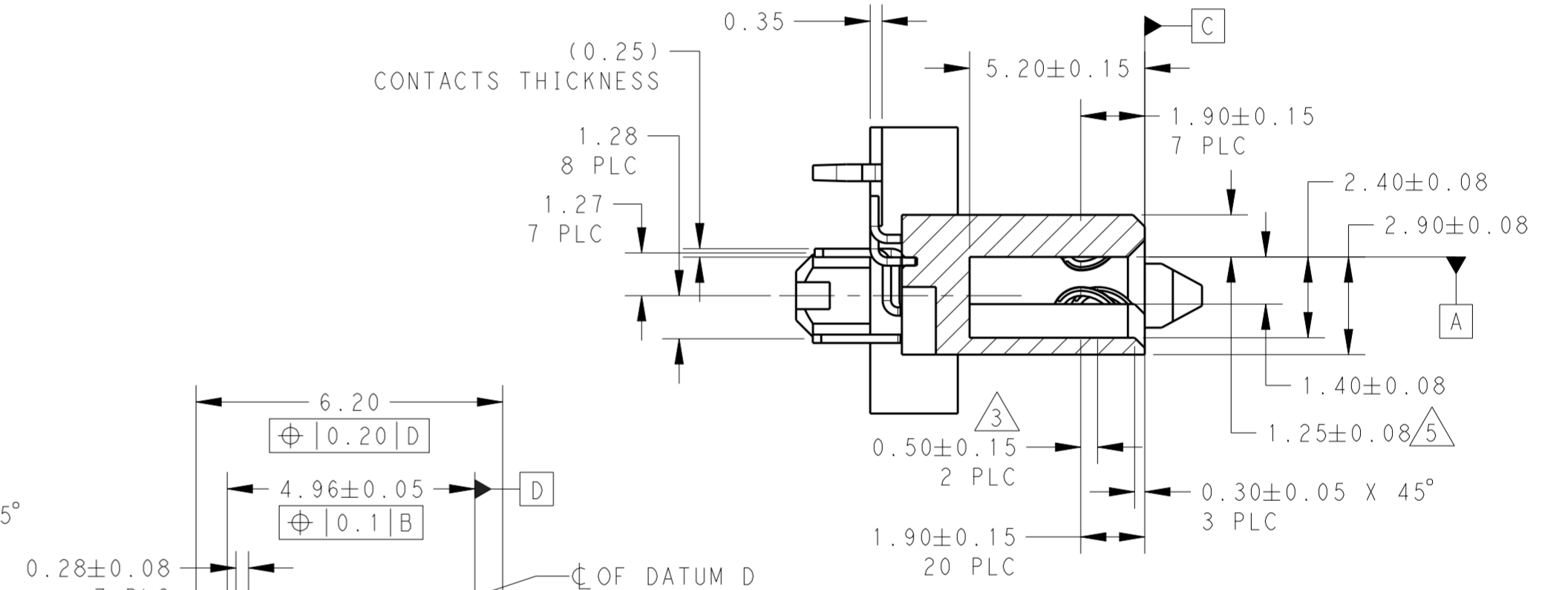
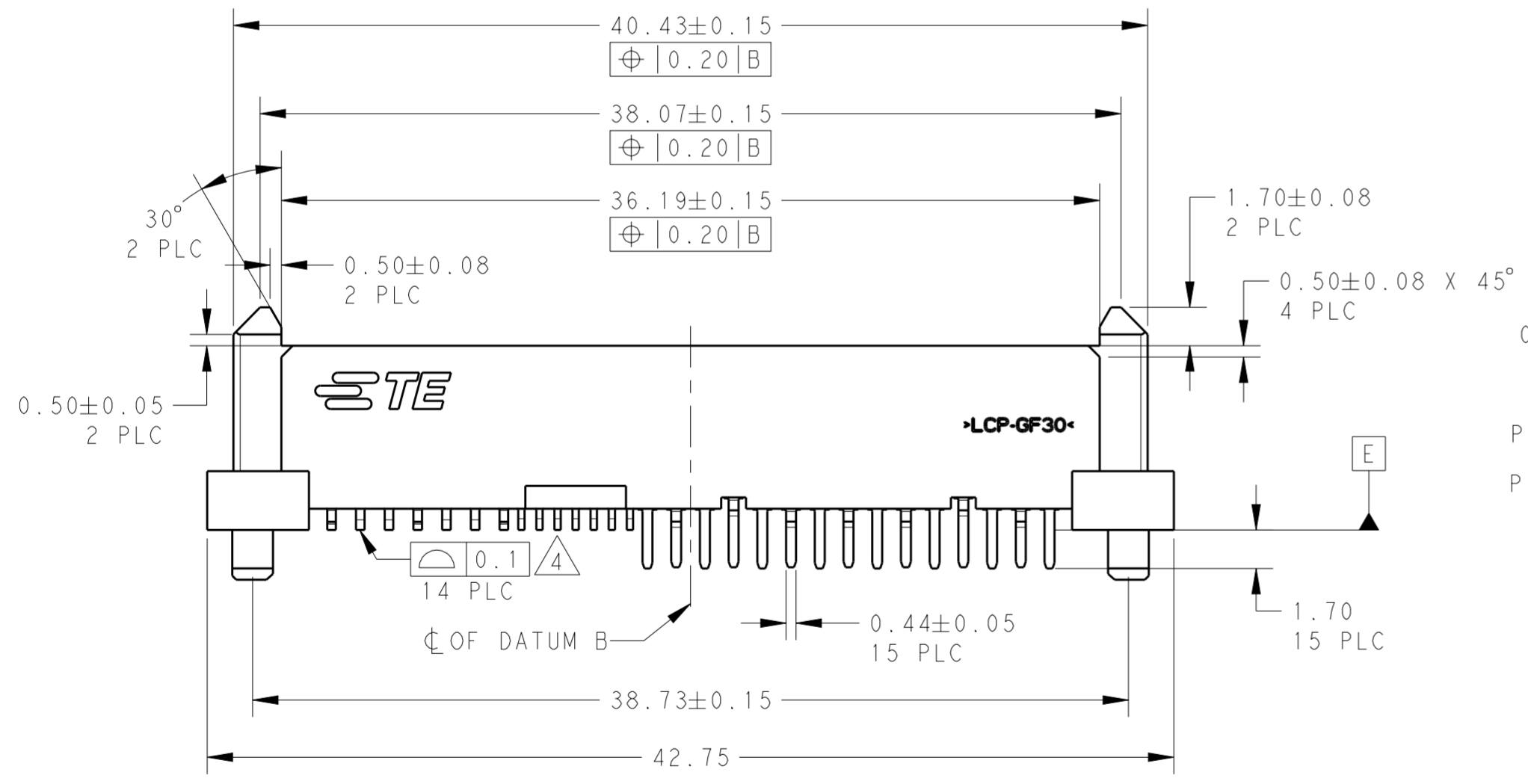
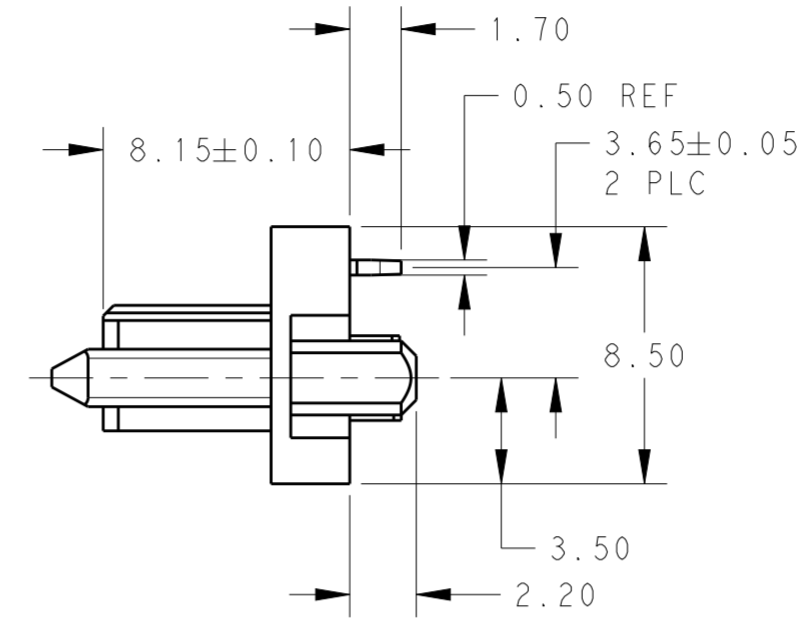
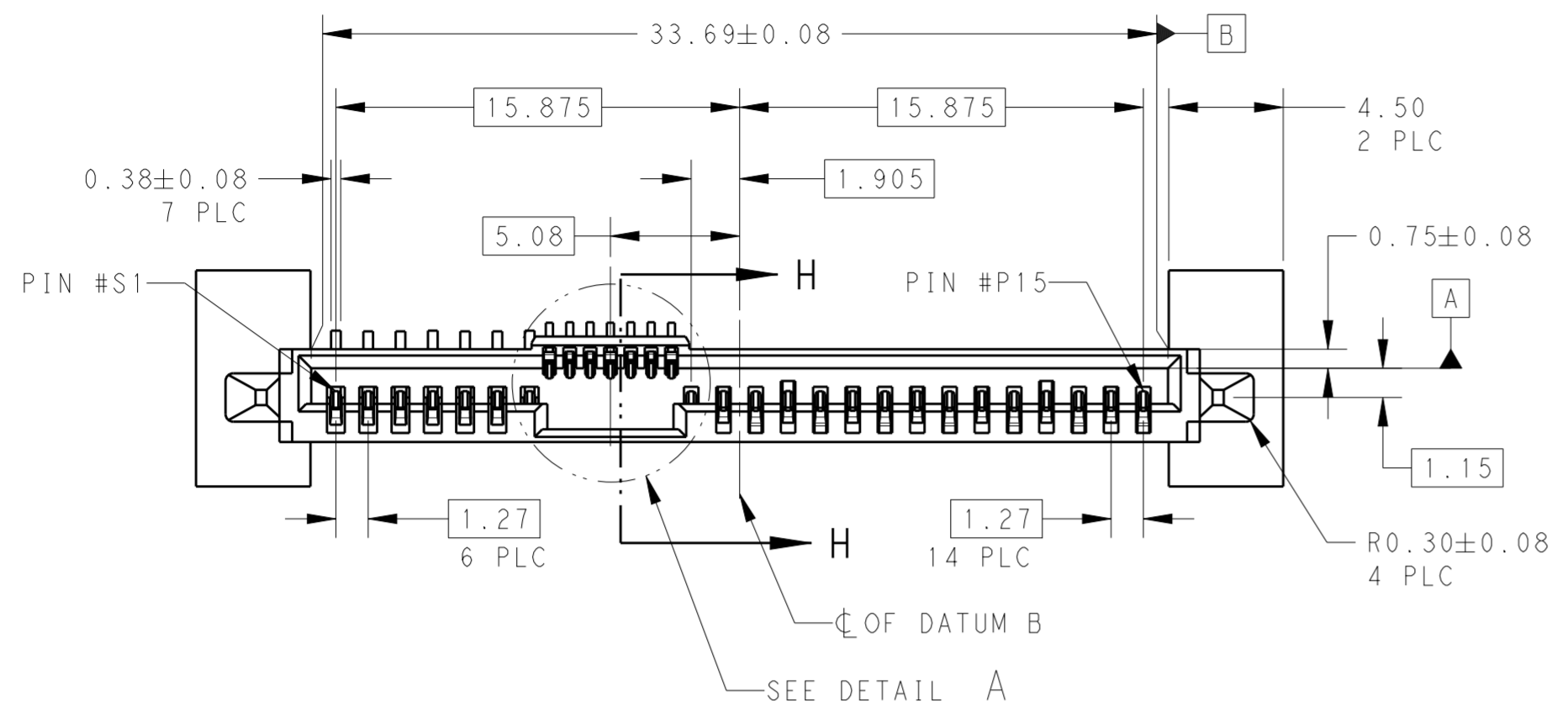


THIS DRAWING IS UNPUBLISHED. RELEASED FOR PUBLICATION
 © COPYRIGHT ALL RIGHTS RESERVED.

LOC		DIST		REVISIONS			
P	LTR	DESCRIPTION	DATE	DWN	APVD		
	A	RELEASED FOR PRODUCTION	07MAR2016	TX	SH		
			10OCT2013	TX	AC		

NOTES:

- 1 MATERIAL:
HOUSING: HIGH TEMP THERMOPLASTIC, UL94V-0,
COLOR: BLACK
CONTACT: COPPER ALLOY
BOARDLOCK: COPPER ALLOY
- 2 FINISH:
CONTACT AREA: MIN 0.76µm GOLD PLATING
SOLDERTAIL: MIN 2.54µm MATTE TIN PLATING
UNDERPLATE: MIN 1.27µm NICKEL PLATING
- 3 PIN #P4 AND PIN #P12 ONLY
- 4 SOLDERTAIL TO BE WITHIN 0.05MAX ABOVE AND 0.10MAX BELOW DATUM E
- 5 1.33 MAX MEASURED AT DATUM C



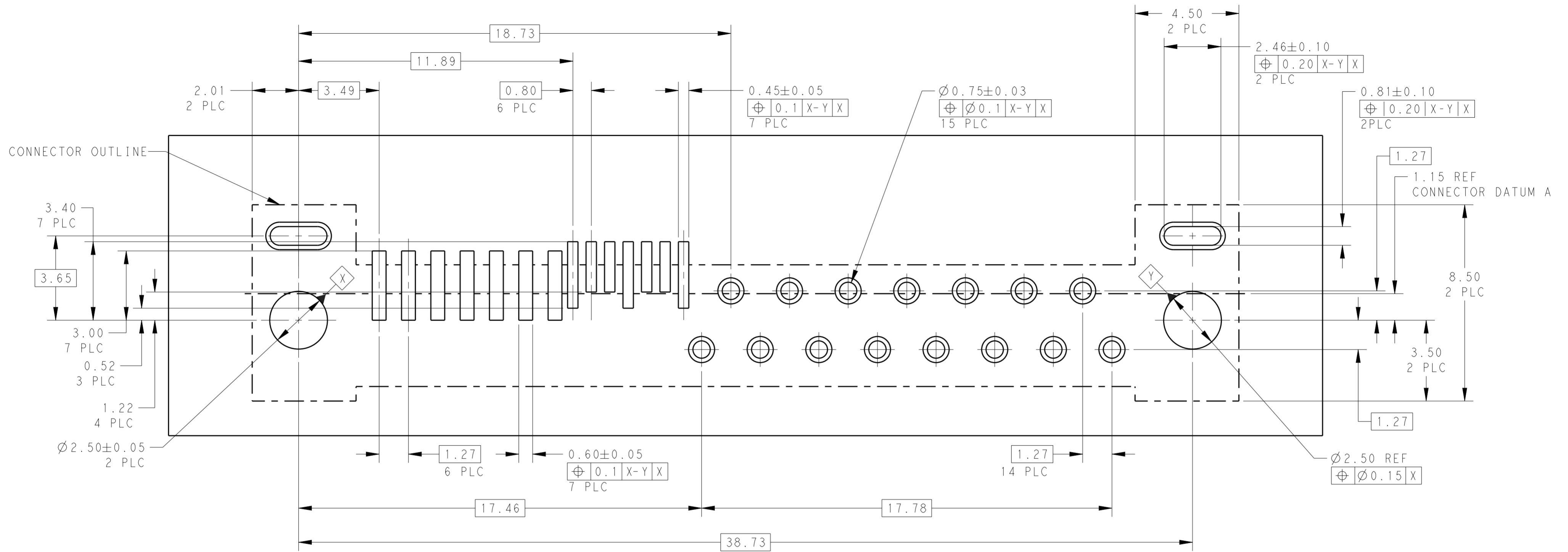
DETAIL A
SCALE 8:1

TAPE & REEL WITH PICKUP CAP	2170506-1
PACKAGING	PART NUMBER

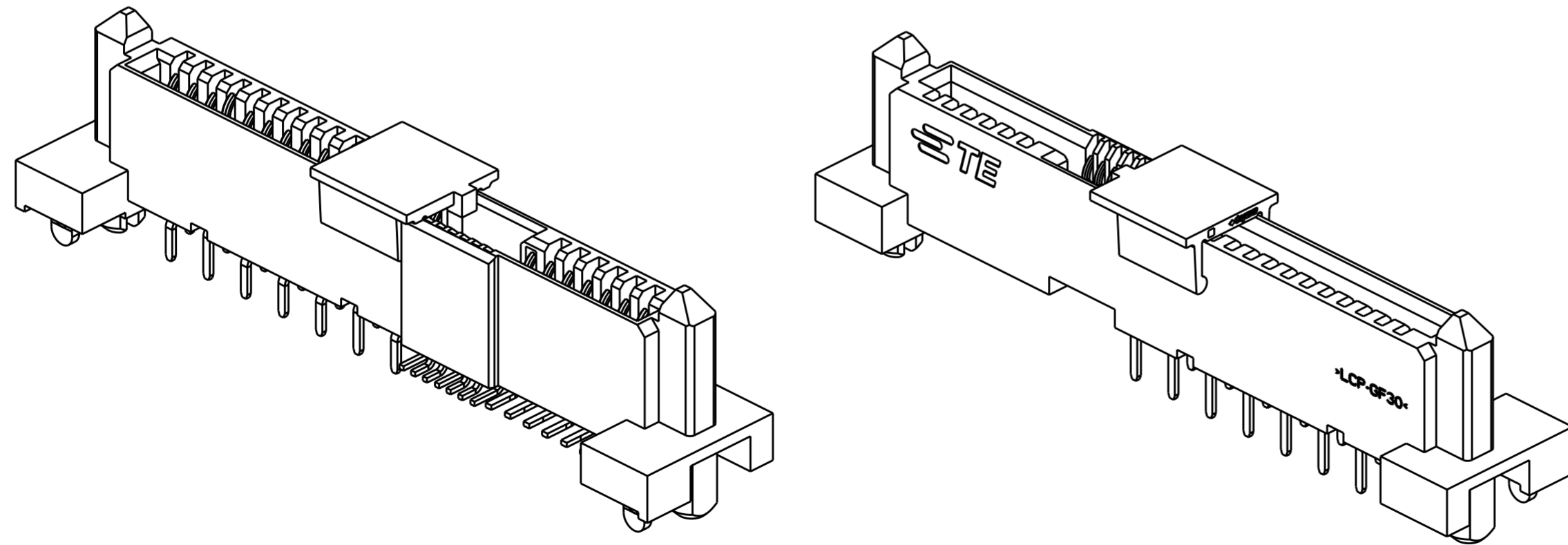
THIS DRAWING IS A CONTROLLED DOCUMENT.		DWN	TIM XUE	13MAR2013	TE Connectivity
DIMENSIONS: mm		CHK	ALEX CAI	13MAR2013	
TOLERANCES UNLESS OTHERWISE SPECIFIED:		APVD	ALEX CAI	13MAR2013	
0 PLC ±0.2 1 PLC ±0.2 2 PLC ±0.2 3 PLC ±0.2 4 PLC ±0.2 ANGLES ±3° FINISH 1 2		PRODUCT SPEC	108-51109	NAME	
MATERIAL	1	APPLICATION SPEC	114-60017	SIZE	A200779
		WEIGHT	-	CAGE CODE	C-2170506
		CUSTOMER DRAWING		SCALE	4:1
				SHEET	1 OF 2
				REV	A

THIS DRAWING IS UNPUBLISHED. RELEASED FOR PUBLICATION
 © COPYRIGHT ALL RIGHTS RESERVED.

LOC		DIST		REVISIONS			
P	LTR	DESCRIPTION		DATE	DWN	APVD	
-	-	SEE SHEET 1		-	-	-	



RECOMMENDED RECEPTACLE BOARD LAYOUT
 SCALE 8:1



P/N: 2170506-1 WITH CAP AS SHOWN

THIS DRAWING IS A CONTROLLED DOCUMENT.		DWN TIM XUE 13MAR2013	 TE Connectivity
DIMENSIONS: mm		CHK ALEX CAI 13MAR2013	
TOLERANCES UNLESS OTHERWISE SPECIFIED:		APVD ALEX CAI 13MAR2013	
0 PLC ±0.2 1 PLC ±0.2 2 PLC ±0.2 3 PLC ±0.2 4 PLC ±0.2 ANGLES ±3° FINISH		PRODUCT SPEC 108-51109 APPLICATION SPEC 114-60017 WEIGHT -	
MATERIAL		NAME SAS-3 (12Gbps)SFF-8680 RECEPTACLE DUAL PORT, WITH METAL RETENTION BLADE HYBRID (TH/SMT) FOOTPRINT, 15P+7P+7P	RESTRICTED TO
		SIZE A2	CAGE CODE 00779
		DRAWING NO C-2170506	SCALE 2:1
CUSTOMER DRAWING		SHEET 2	OF 2
		REV A	

X-ON Electronics

Largest Supplier of Electrical and Electronic Components

Click to view similar products for [I/O Connectors](#) category:

Click to view products by [TE Connectivity](#) manufacturer:

Other Similar products are found below :

[571763P](#) [58098-0628](#) [61-168618-12P](#) [D38999/20FJ24PA L/C](#) [D38999/20FJ29SB L/C](#) [72.250.1628.2](#) [72.250.2428.2](#) [74720-0505](#) [747680210](#)
[76.350.0729.0](#) [76871-1403](#) [FCN-244F080-G/1](#) [FCN-260A9920](#) [FCN-268D024-G/2F#10X-R10](#) [MP-5T180MUNNA-005](#) [MP-5XRJ45UNNB-](#)
[003](#) [PCS-E50FA](#) [PCS-XE26LKA](#) [PCS-XE26MA+](#) [PCS-XES68MS+](#) [G38A71314B](#) [91-569719-35R](#) [9776-18-6](#) [DX40-50P\(55\)](#) [1571250010](#)
[157-22500-3](#) [MS3471L14-19P L/C](#) [171224-6031](#) [1888020-8](#) [91-569786-35H](#) [91-569786-35M](#) [91-644626-35P](#) [172501-4002](#) [172501-6002](#)
[FCN-260C008-A/L0](#) [FCN-260C024-AL0](#) [FCN-268D008-G/1K](#) [2000314-1](#) [200331-1](#) [2007498-2](#) [PCR-E28LMDAG1+](#) [PCR-E36FC+](#) [PCS-](#)
[E28FS+](#) [PCS-XE26SLFD+](#) [PCS-XE26SLFDT+](#) [G38A71214B](#) [HDRA-E68W1LFDTC-SL+](#) [HDR-E14MSG1+](#) [R88A-CNK81S](#) [CRT1-](#)
[ATT02](#)