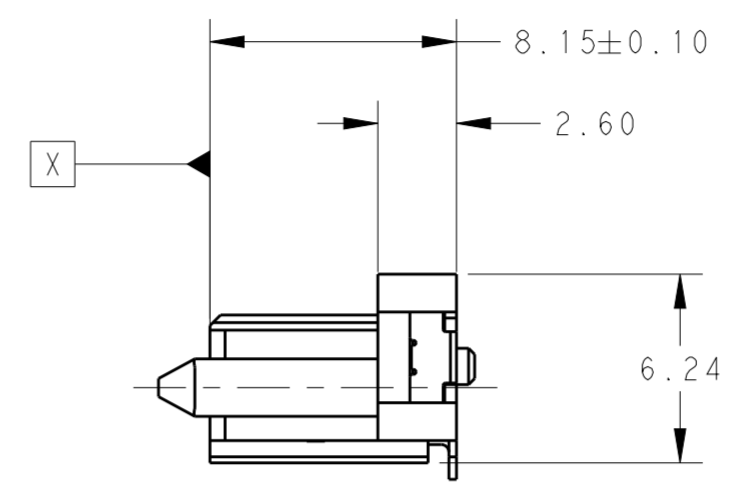
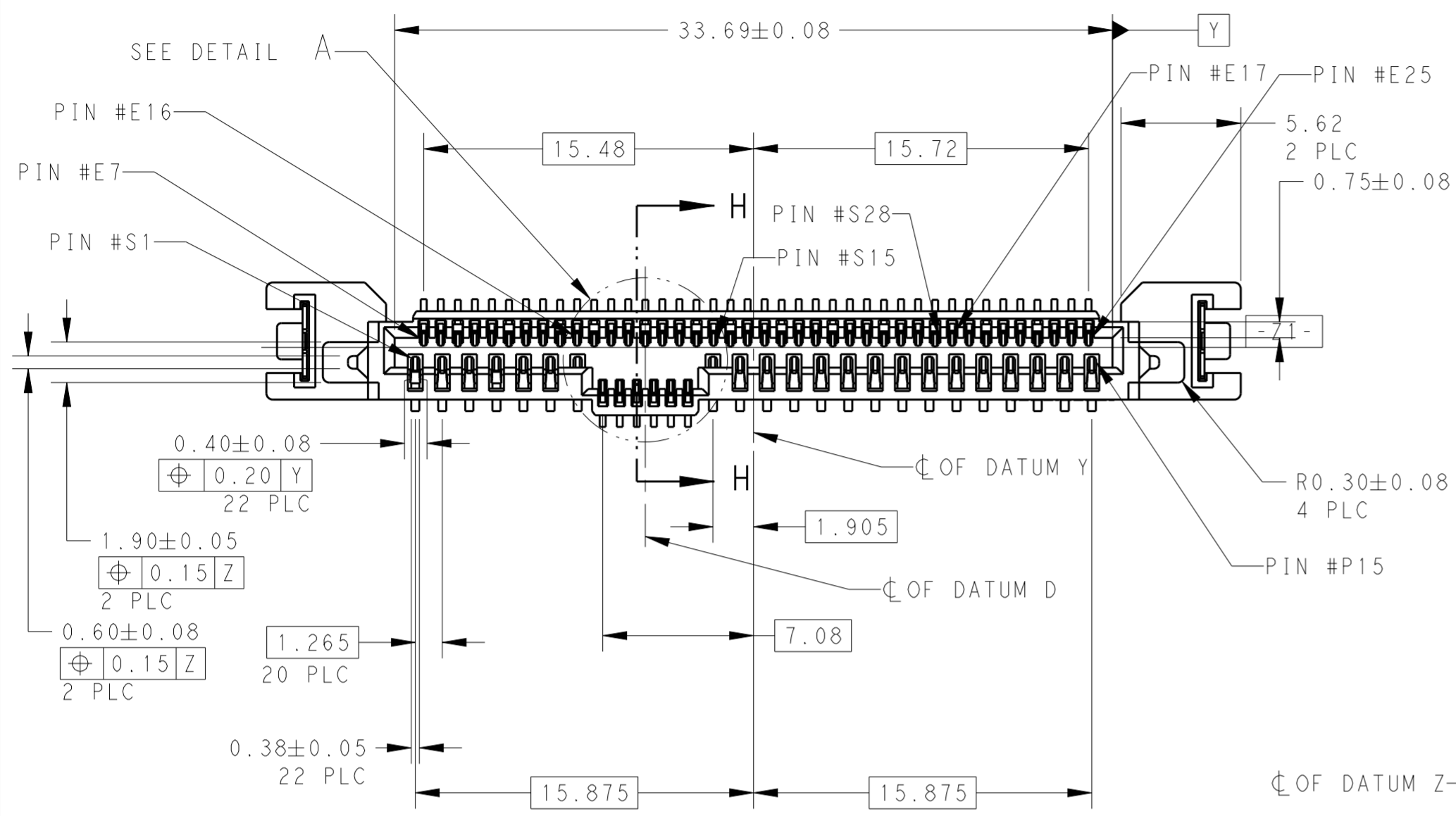
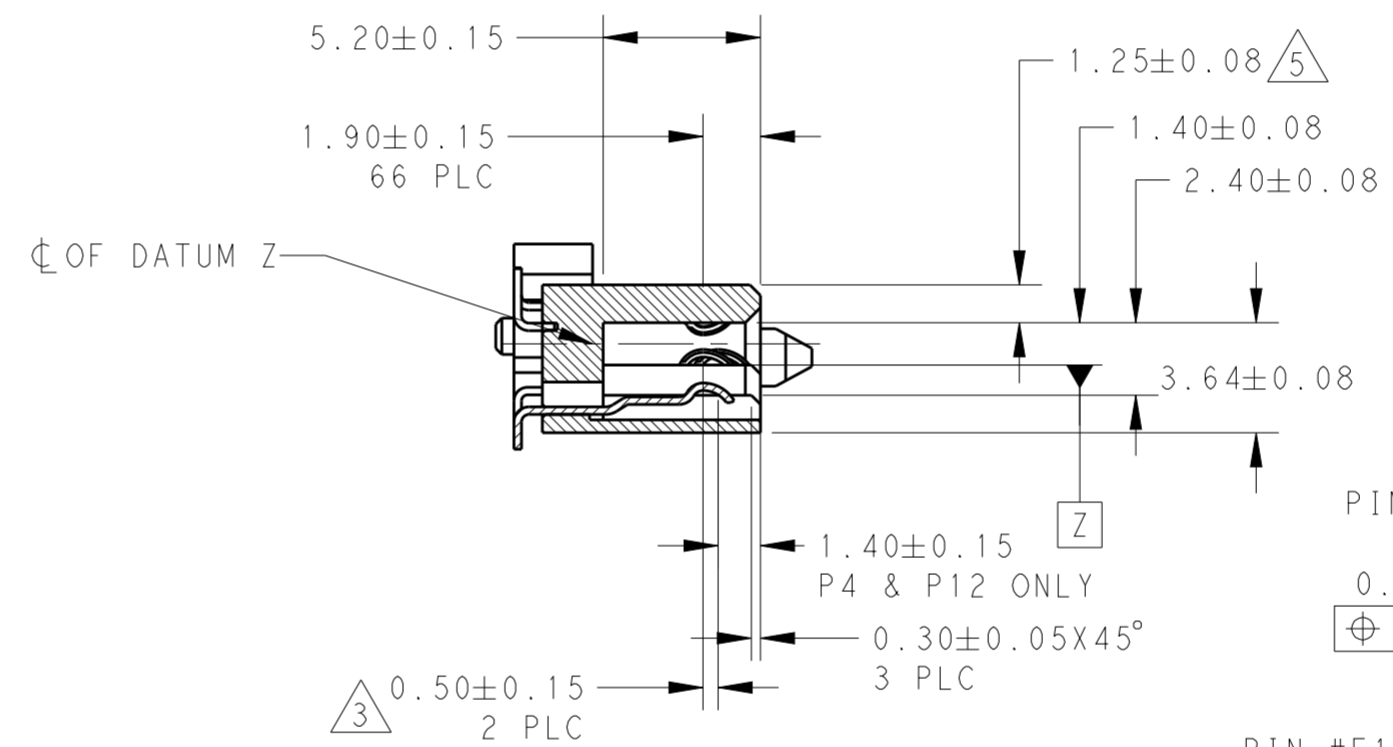


THIS DRAWING IS UNPUBLISHED. RELEASED FOR PUBLICATION 20
 © COPYRIGHT 20 BY - ALL RIGHTS RESERVED.

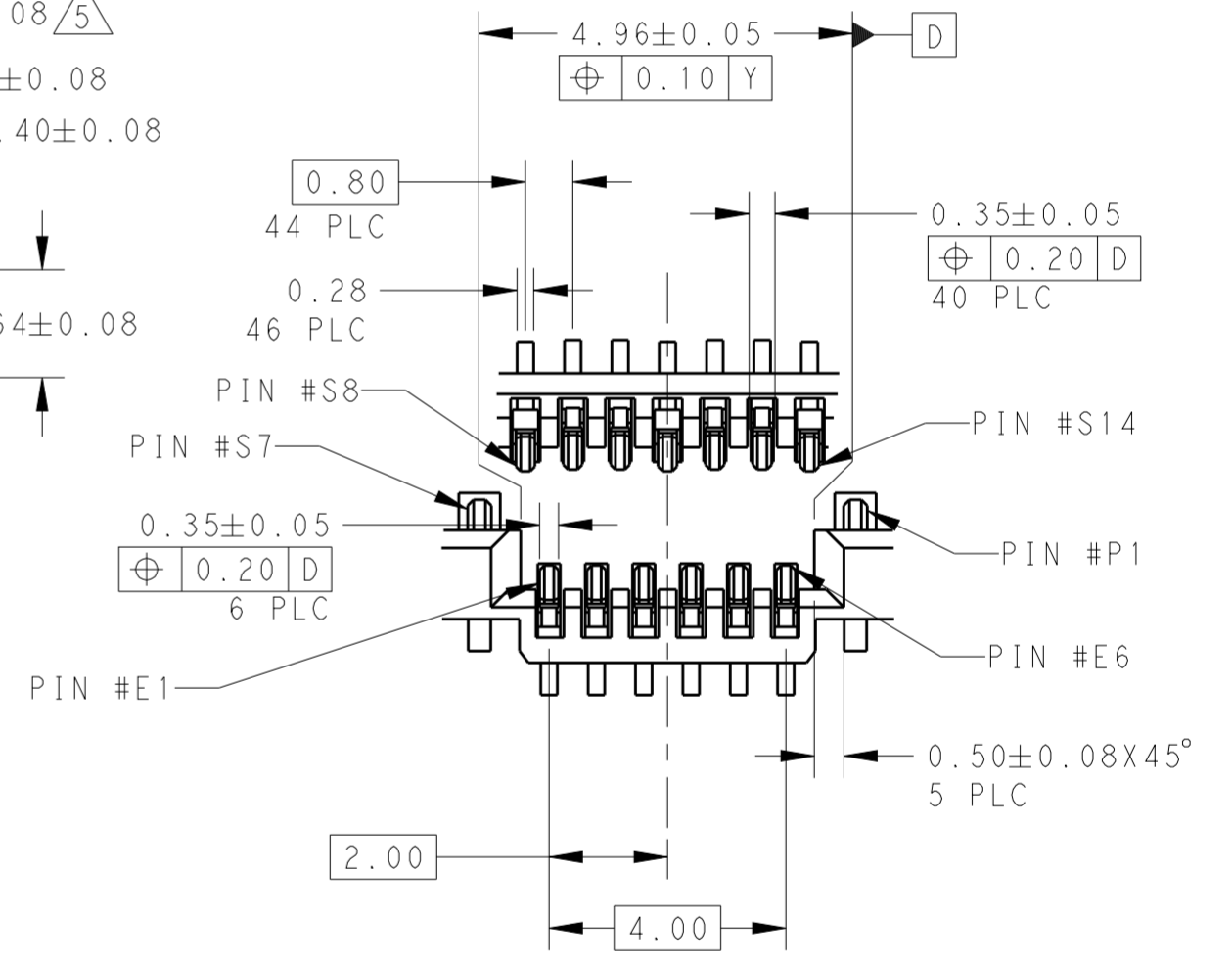
REVISIONS					
P	LTR	DESCRIPTION	DATE	DWN	APVD
	A	RELEASED FOR PRODUCTION	30DEC2015	TX	SH



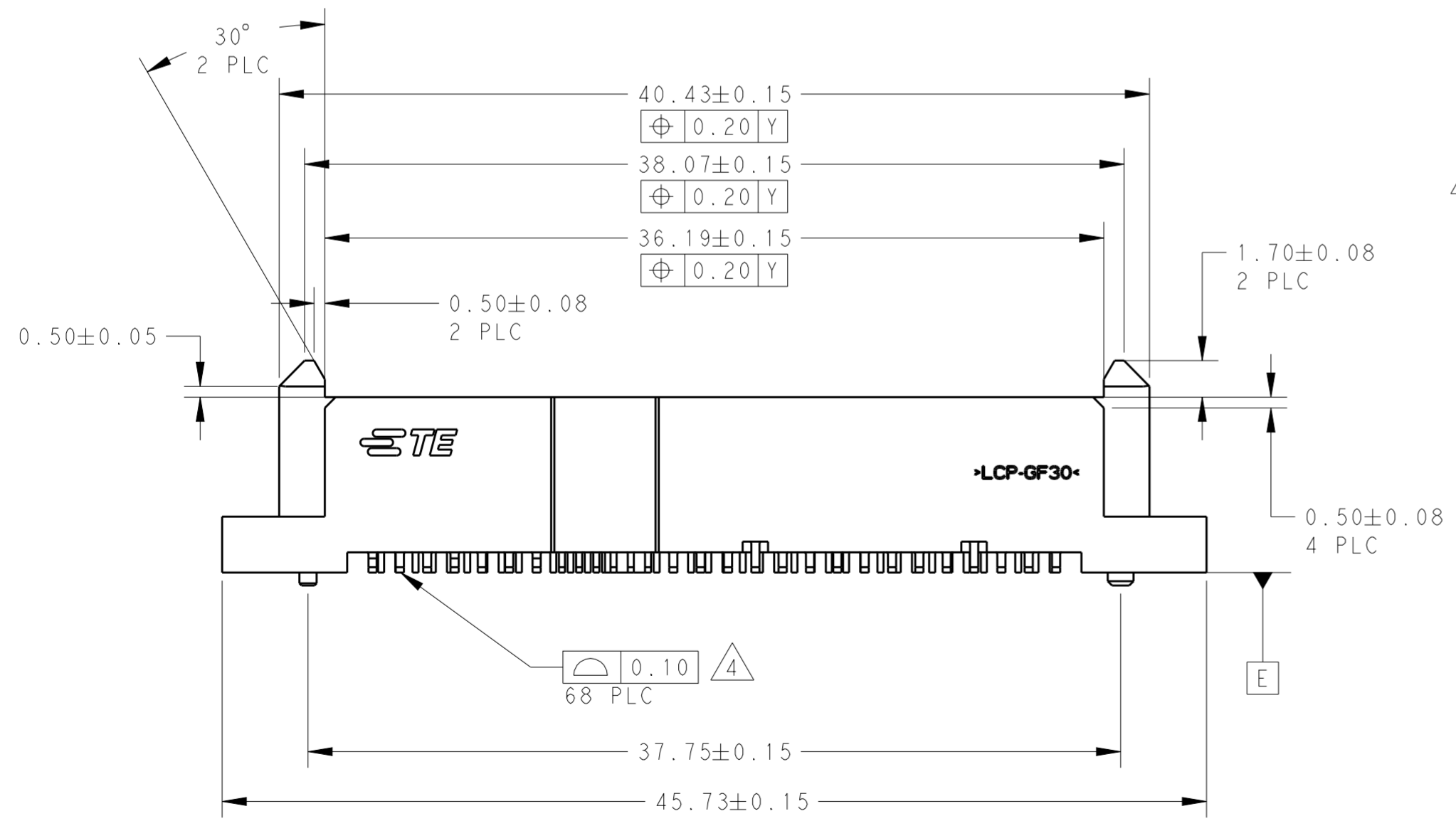
- NOTES:
- 1 MATERIAL:
HOUSING: HIGH TEMP THERMOPLASTIC, UL94V-0,
COLOR:BLACK
CONTACT: COPPER ALLOY
BOARDLOCK: COPPER ALLOY
 - 2 FINISH:
CONTACT AREA:
MIN 0.76µm GOLD PLATING
SOLDERTAIL: MIN 2.54µm MATTE TIN PLATING
UNDERPLATE: MIN 1.27µm NICKEL PLATING
 - 3 PIN #P4 AND #P12 ONLY
 - 4 SOLDERTAIL TO BE 0.05 MAX ABOVE
AND 0.10 MAX BELOW DATUM E
 - 5 1.33 MAX MEASURED AT DATUM C



SECTION H-H
SCALE 4:1



DETAIL A
SCALE 8:1

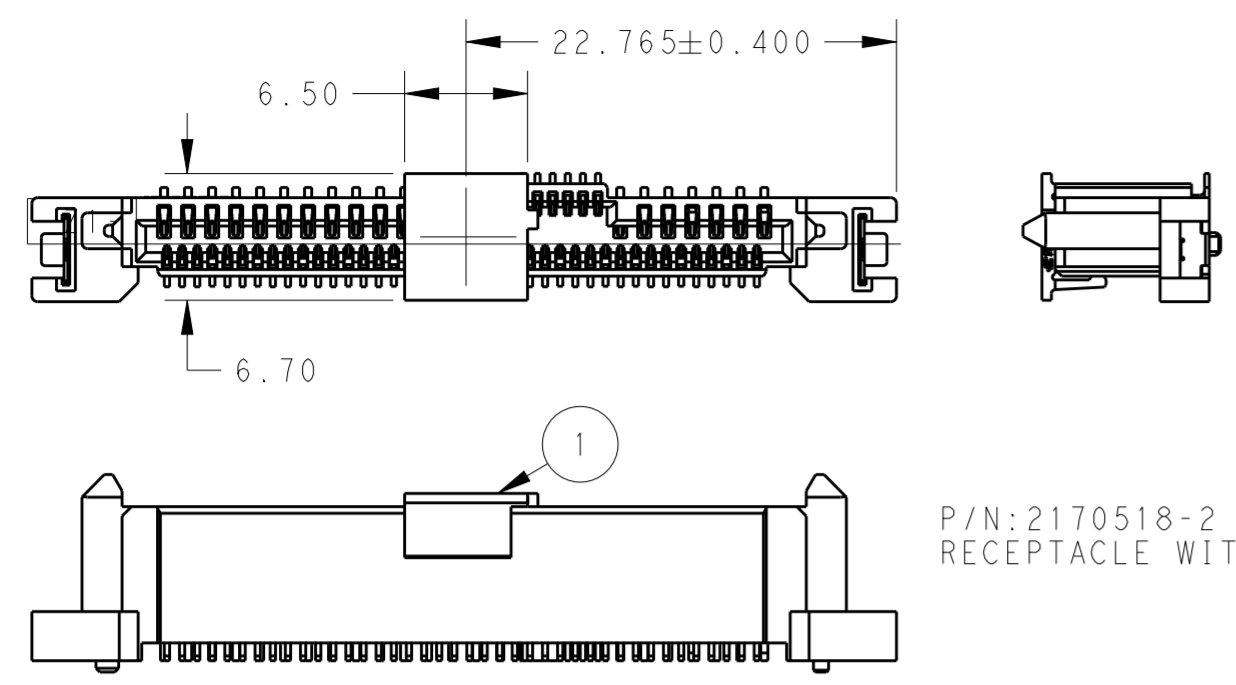


TRAY	YES	2170518-3
TAPE & REEL	YES	2170518-2
TRAY	NO	2170518-1
PACKAGING	PICK-UP CAP (1)	PART NUMBER

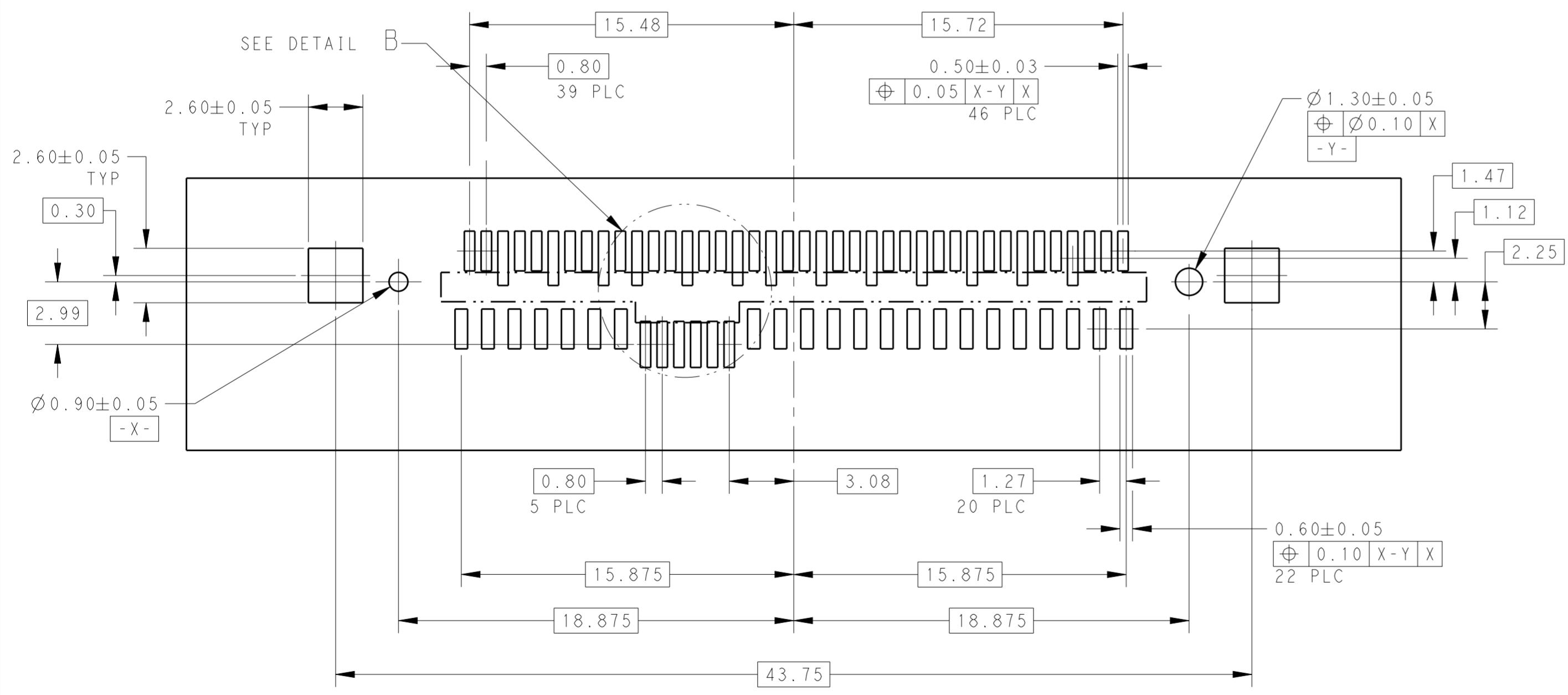
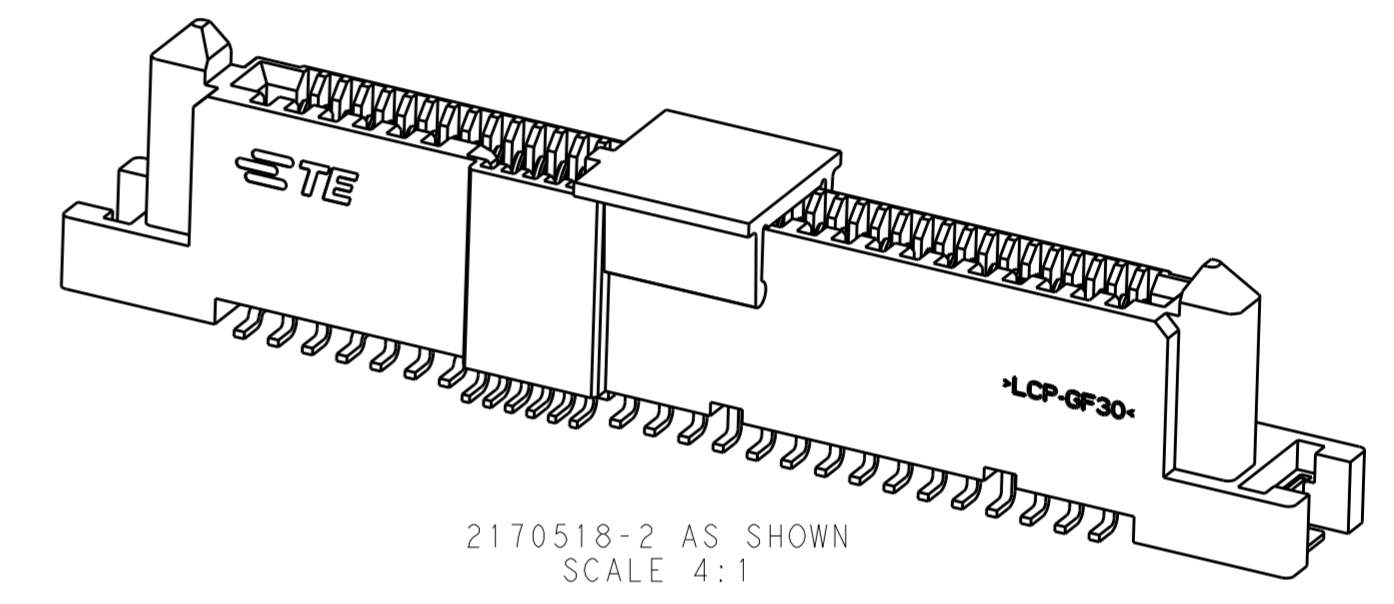
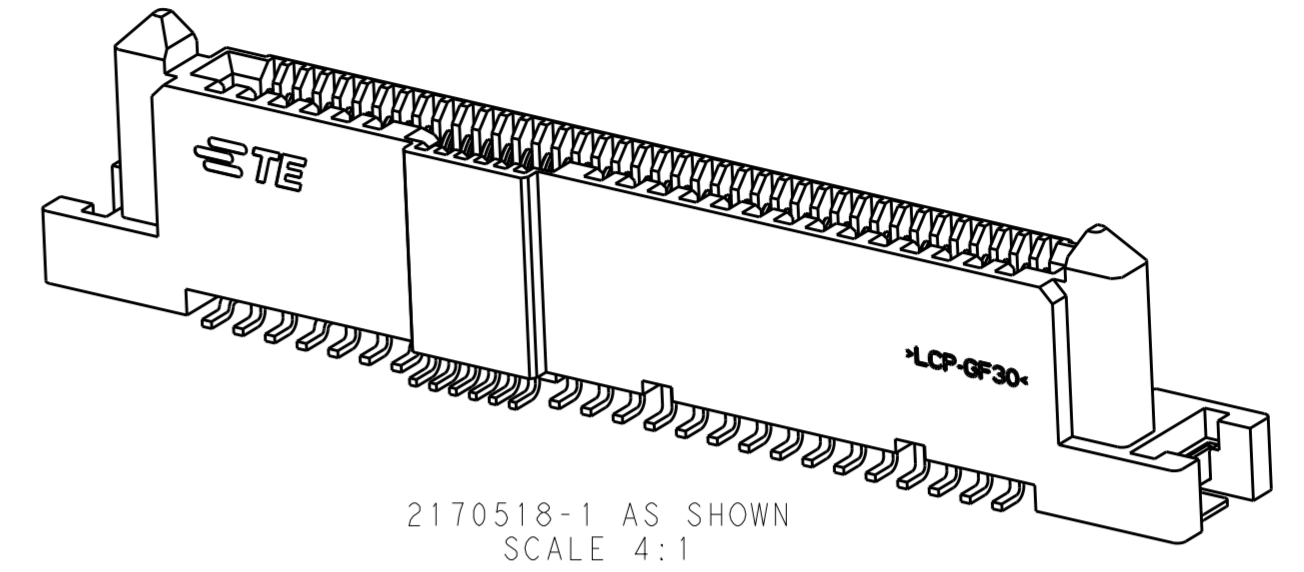
THIS DRAWING IS A CONTROLLED DOCUMENT.		DWN BING LIU 10APR2013	TE Connectivity 12G SAS/PCIe COMBO RECEPTACLE (WITH SMT HOLDDOWNS) 15P+7P+6P+40P	
DIMENSIONS: mm		CHK JASON YANG 10APR2013		
TOLERANCES UNLESS OTHERWISE SPECIFIED:		APVD ALEX CAI 10APR2013	NAME	
0 PLC ±		PRODUCT SPEC	108-51109	
1 PLC ±0.20		APPLICATION SPEC	114-60017	
2 PLC ±0.20		WEIGHT	-	
3 PLC ±0.20		CUSTOMER DRAWING	SCALE 2:1 SHEET 1 OF 2 REV A	
4 PLC ±				
ANGLES				
FINISH				

THIS DRAWING IS UNPUBLISHED. RELEASED FOR PUBLICATION 20
 © COPYRIGHT 20 BY - ALL RIGHTS RESERVED.

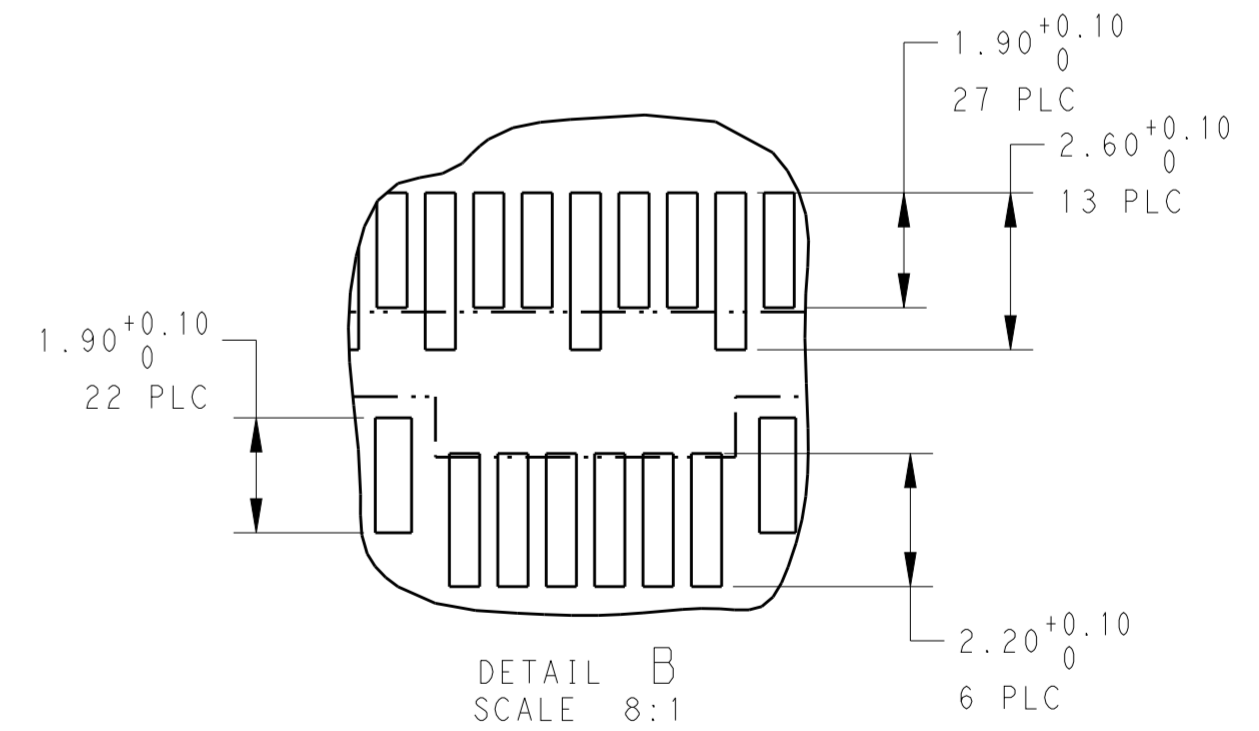
LOC		DIST		REVISIONS			
P	LTR	DESCRIPTION		DATE	DWN	APVD	
-	-	SEE SHEET 1		-	-	-	



P/N: 2170518-2 AS SHOWN
 RECEPTACLE WITH PICK-UP CAP



RECOMMENDED RECEPTACLE BOARD LAYOUT
 SCALE 5:1



THIS DRAWING IS A CONTROLLED DOCUMENT.		DWN BING LIU 10APR2013	TE Connectivity	
DIMENSIONS: mm		CHK JASON YANG 10APR2013		
TOLERANCES UNLESS OTHERWISE SPECIFIED:		APVD ALEX CAI 10APR2013	NAME 12G SAS/PCIe COMBO RECEPTACLE (WITH SMT HOLDDOWNS) 15P+7P+6P+40P	
0 PLC ±		PRODUCT SPEC 108-51109	SIZE A200779	
1 PLC ±0.20		APPLICATION SPEC 114-60017	DRAWING NO C-2170518	
2 PLC ±0.20		WEIGHT -	RESTRICTED TO -	
3 PLC ±0.20		CUSTOMER DRAWING		
4 PLC ±		SCALE 2:1 SHEET 1 OF 2 REV A		
ANGLES ±3°				
FINISH				
material_2				
finish_spec_2				

X-ON Electronics

Largest Supplier of Electrical and Electronic Components

Click to view similar products for [PCI Express/PCI Connectors](#) category:

Click to view products by [TE Connectivity](#) manufacturer:

Other Similar products are found below :

[UEX220-6U](#) [10039755-10110TLF](#) [1-1871239-2](#) [2170560-2](#) [10125756-980000LF](#) [EB220-3U](#) [10061913-120PLF](#) [GPCP146400111HR](#)
[205058-1001](#) [GPCP442628110HR](#) [GPCP446200120HR](#) [GPCP245400111HR](#) [10082378-10000TLF](#) [87715-9256](#) [MDT580M03001](#)
[0877159107](#) [MDT580M01001](#) [10018783-11000MLF](#) [10018783-11101TLF](#) [10108777-10000ALF](#) [10141523-111T0LF](#) [10145445-10003MLF](#)
[PSASF2130311TR](#) [PSASF3130411TR](#) [PSASF3130131TR](#) [7-1734774-7](#) [3-1761465-1](#) [10018784-10111TLF](#) [10039755-10111TLF](#) [10039755-](#)
[10112TLF](#) [10018783-10211TLF](#) [10018784-10211TLF](#) [10018784-10212TLF](#) [1761465-2](#) [1871058-1](#) [5-1761465-4](#) [10018783-10200MLF](#)
[10018783-10213TLF](#) [10018784-10210TLF](#) [10018784-11113TLF](#) [10025026-10001TLF](#) [5145154-8](#) [1871058-4](#) [2041119-2](#) [10018783-](#)
[10212TLF](#) [10018784-10102TLF](#) [10018783-11200TLF](#) [SM3ZS067U215-NUT1-R2500](#) [10123371-001TRLF](#) [10018784-10110TLF](#)