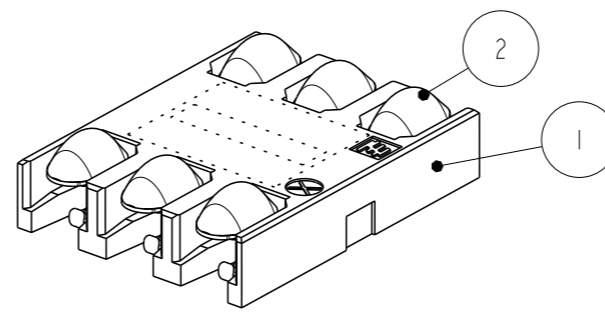
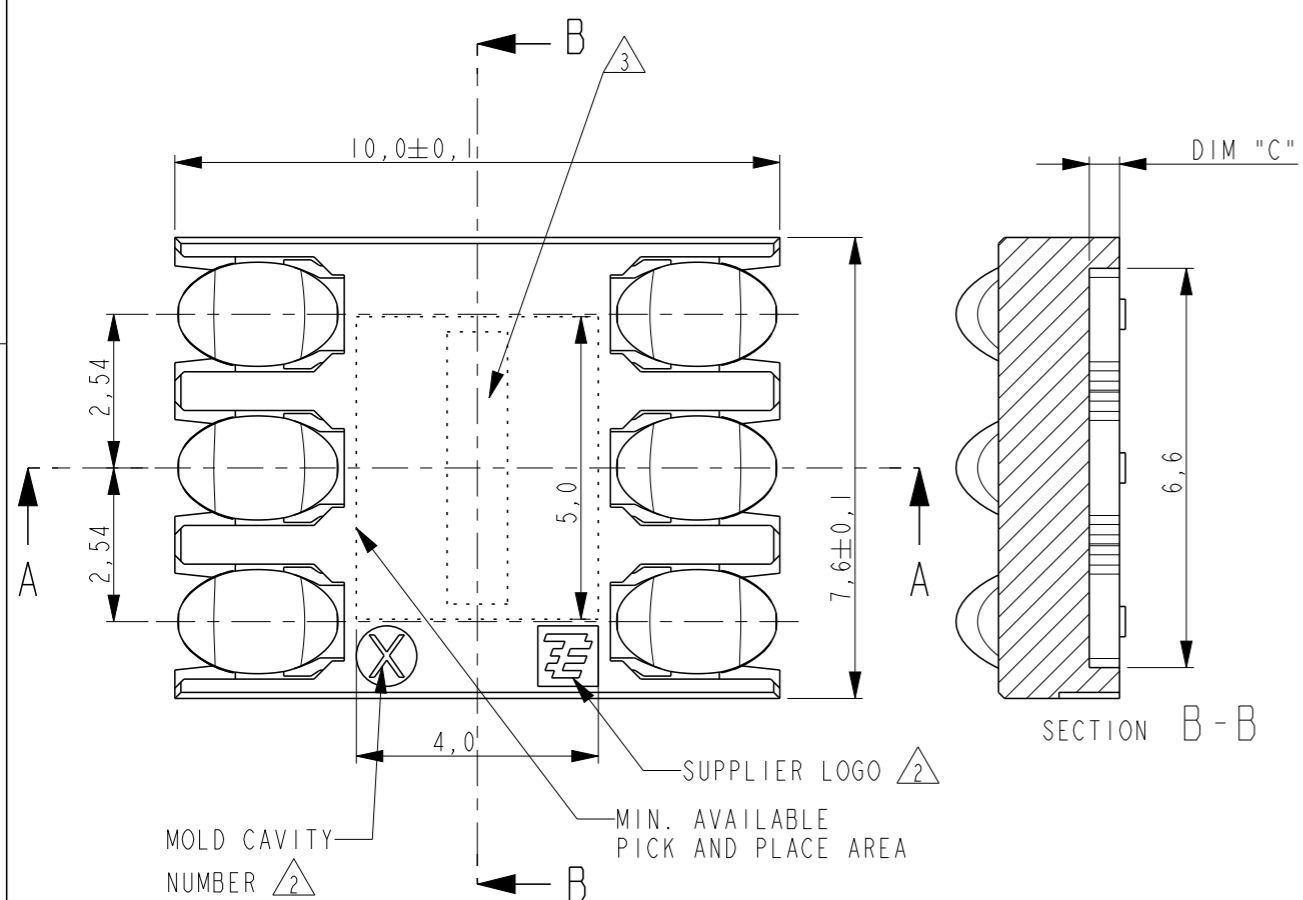


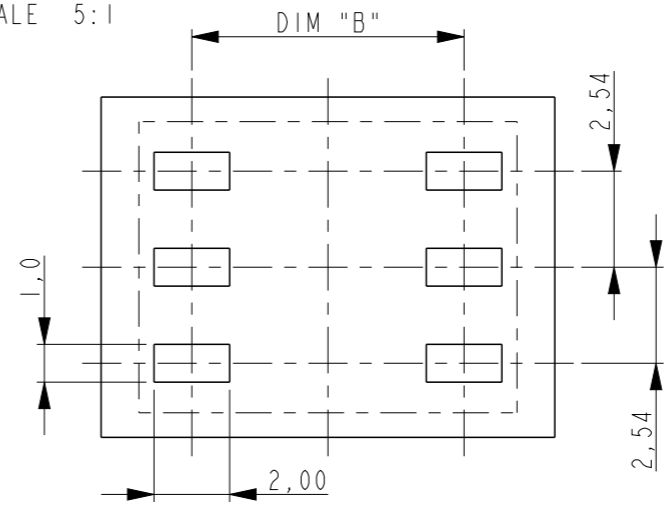
THIS DRAWING IS UNPUBLISHED. RELEASED FOR PUBLICATION
 © COPYRIGHT - BY - ALL RIGHTS RESERVED.

REVISIONS

P	LTR	DESCRIPTION	DATE	DWN	APVD
	K	REVISED	08FEB2018	M.T	K.K
	KI	REVISED PER ECR-18-009468	02JUL2018	R.Z	S.L



SCALE 5:1



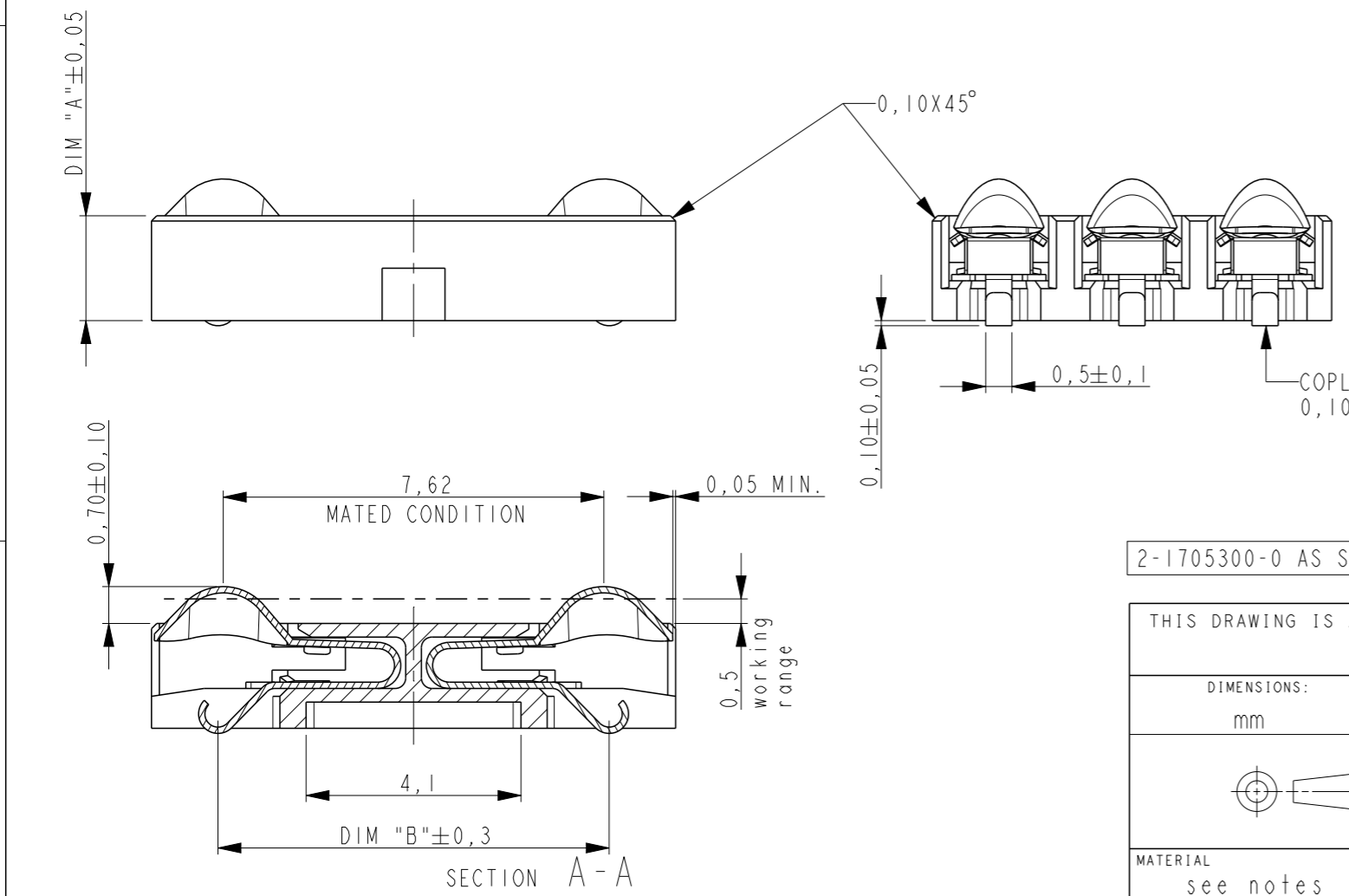
RECOMMENDED PCB LAYOUT (REF.)
SCALE 5:1

ITEM NO.	DESCRIPTION	MATERIAL	FINISH
2	CONTACT	COPPER ALLOY	SEE NOTES
1	HOUSING	GF LIQUID CRISTAL POLYMER	BLACK

PARTNUMBER	WEIGHT	DIM A	DIM B	DIM C
5-1705300-0	0,34	5,00	6,6	3,5
4-1705300-9	0,33	4,90	7,6	3,4
4-1705300-8	0,33	4,80	6,6	3,3
4-1705300-7	0,32	4,70	7,6	3,2
4-1705300-6	0,32	4,60	6,9	3,1
4-1705300-5	0,32	4,50	7,7	3,0
4-1705300-4	0,31	4,40	6,8	2,9
4-1705300-3	0,31	4,30	7,6	2,8
4-1705300-2	0,30	4,20	6,8	2,7
4-1705300-1	0,30	4,10	7,5	2,6
4-1705300-0	0,29	4,00	6,8	2,5
3-1705300-9	0,29	3,90	7,5	2,4
3-1705300-8	0,28	3,80	7,1	2,3
3-1705300-7	0,28	3,70	7,6	2,2
3-1705300-6	0,27	3,60	7,1	2,1
3-1705300-5	0,27	3,50	7,6	2,0
3-1705300-4	0,26	3,40	6,7	1,9
3-1705300-3	0,26	3,30	7,3	1,8
3-1705300-2	0,25	3,20	7,7	1,7
3-1705300-1	0,25	3,10	7,0	1,6
3-1705300-0	0,24	3,00	7,4	1,5
2-1705300-9	0,24	2,90	7,7	1,4
2-1705300-8	0,23	2,80	6,9	1,3
2-1705300-7	0,23	2,70	7,2	1,2
2-1705300-6	0,23	2,60	7,5	1,1
2-1705300-5	0,22	2,50	7,7	1,0
2-1705300-4	0,22	2,40	7,1	0,9
2-1705300-3	0,21	2,30	7,3	0,8
2-1705300-2	0,20	2,20	7,3	0,7
2-1705300-1	0,20	2,10	7,5	0,6
2-1705300-0	0,20	2,00	7,5	0,5
1-1705300-9	0,19	1,90	7,6	0,4
1-1705300-8	0,19	1,80	7,7	0,3
1-1705300-7	0,18	1,70	7,8	0,2
1-1705300-6	0,18	1,60	7,8	0,1
1-1705300-5	0,18	1,50	7,8	0,0

NOTES:

- 1 CONTACT PLATING:
1,2µm NICKEL UNDERLAYER
1,25µm MIN. GOLD AT CARD SIDE
0,1-0,2µm GOLD AT SOLDER SIDE
- 2 MARKINGS ON RECESSED AREA
- 3 LASER PRINTED: EXAMPLE: 3104 AH:
DAY 3, WEEK 10, YEAR 2004,
PRODUCTIONLINE A, PRODUCTION DRAWING REVISION H
- 4 PACKAGING INFO SEE SHEET 2.
- 5 OBSOLETE



2-1705300-0 AS SHOWN

THIS DRAWING IS A CONTROLLED DOCUMENT.

DIMENSIONS: mm	TOLERANCES UNLESS OTHERWISE SPECIFIED:
0 PLC ±-	1 PLC ±0,1
1 PLC ±0,1	2 PLC ±0,05
2 PLC ±0,05	3 PLC ±-
3 PLC ±-	4 PLC ±-
4 PLC ±-	ANGLES ±-

MATERIAL: see notes material_2
FINISH: see notes finish_spec_2

DWN	17-Sep-03
W. Jansen	
CHK	17-Sep-03
W. Jansen	
APVD	17-Sep-03
P. Jaeger	
PRODUCT SPEC	108-19280
APPLICATION SPEC	114-19092
WEIGHT	gram

2	CONTACT	COPPER ALLOY	SEE NOTES
1	HOUSING	GF LIQUID CRISTAL POLYMER	BLACK

ITEM NO. DESCRIPTION MATERIAL FINISH

STE TE Connectivity

NAME: SIM CONNECTOR
5 DIRECTIONAL
6 positions

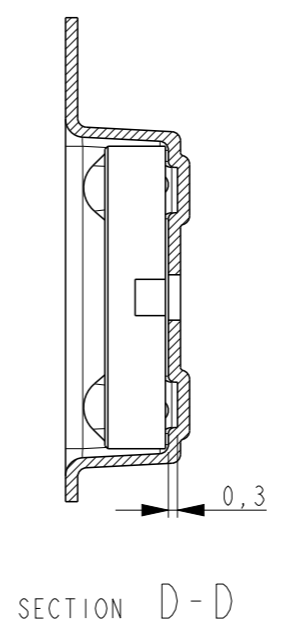
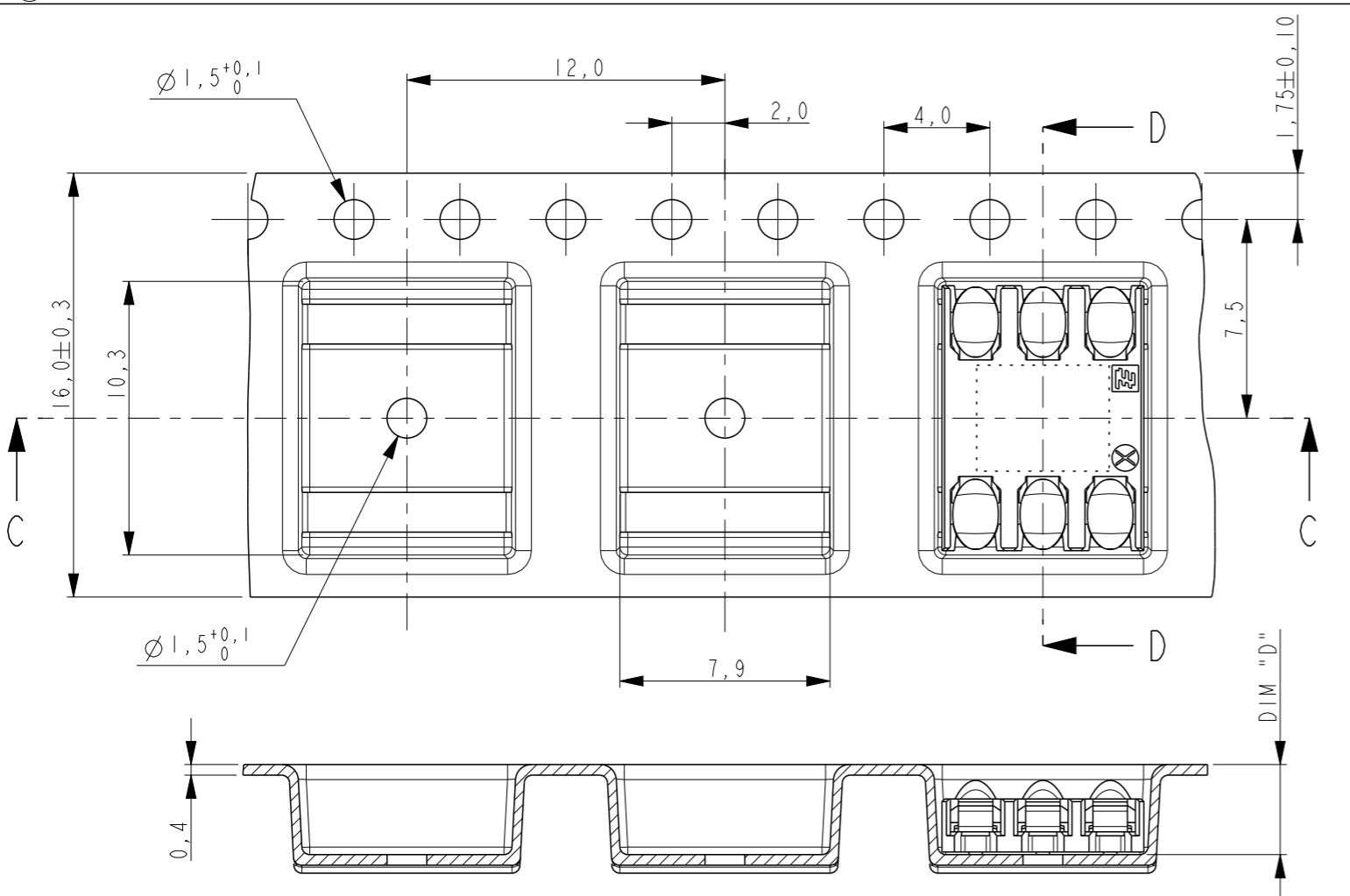
SIZE	CAGE CODE	DRAWING NO	RESTRICTED TO
A3	00779	©-1705300	

CUSTOMER DRAWING SCALE 8:1 SHEET 1 OF 2 REV KI

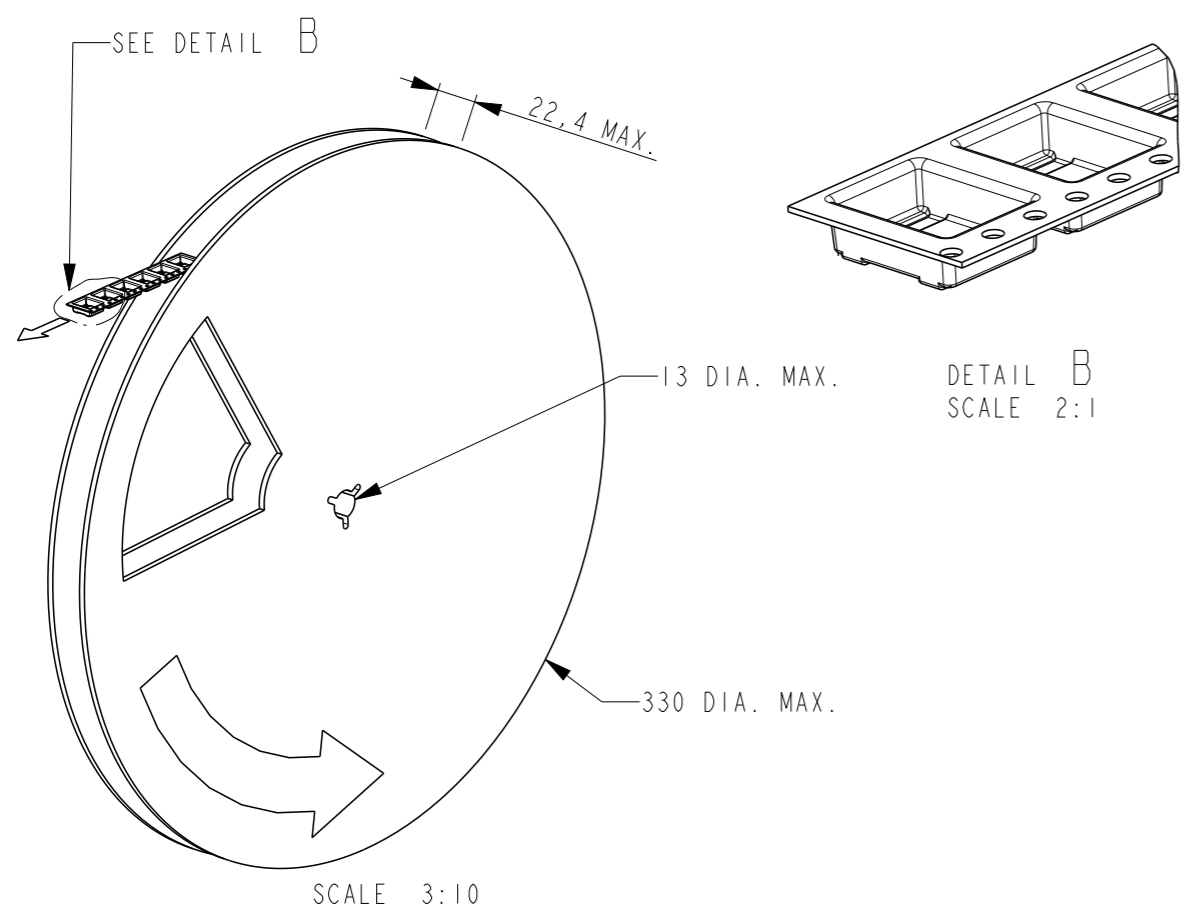
THIS DRAWING IS UNPUBLISHED. RELEASED FOR PUBLICATION
 © COPYRIGHT - BY - ALL RIGHTS RESERVED.

REVISIONS

P	LTR	DESCRIPTION	DATE	DWN	APVD
	-	SEE SHEET 1			



SECTION C-C



DETAIL B
SCALE 2:1

NOTES:

- △ THE FIRST 33 POCKETS ARE EMPTY AND THE LAST 13 POCKETS ARE EMPTY.
ONE REEL CONTAINS X PRODUCTS (SEE TABLE).
- △ OBSOLETE

2-1705300-0 AS SHOWN

5-1705300-0	6,4	800
4-1705300-9	6,4	800
4-1705300-8	6,4	800
4-1705300-7	6,4	800
4-1705300-6	6,4	800
4-1705300-5	6,4	800
4-1705300-4	5,4	950
4-1705300-3	5,4	950
4-1705300-2	5,4	950
4-1705300-1	5,4	950
4-1705300-0	5,4	950
3-1705300-9	5,4	950
3-1705300-8	5,4	950
3-1705300-7	5,4	950
3-1705300-6	5,4	950
3-1705300-5	5,4	950
3-1705300-4	4,4	1150
3-1705300-3	4,4	1150
3-1705300-2	4,4	1150
3-1705300-1	4,4	1150
3-1705300-0	4,4	1150
2-1705300-9	4,4	1150
2-1705300-8	4,4	1150
2-1705300-7	4,4	1150
2-1705300-6	4,4	1150
2-1705300-5	4,4	1150
2-1705300-4	3,4	1450
2-1705300-3	3,4	1450
2-1705300-2	3,4	1450
2-1705300-1	3,4	1450
2-1705300-0	3,4	1450
1-1705300-9	3,4	1450
1-1705300-8	3,4	1450
1-1705300-7	3,4	1450
1-1705300-6	3,4	1450
1-1705300-5	3,4	1450
PARTNUMBER	DIM "D"	PRODUCTS/REEL

DESCRIPTION	MATERIAL	COLOUR
SEALED COVER TAPE	PET/PE	TRANSPARENT
EMBOSSED CARRIER TAPE	PS	GREY
REEL	PS	GREY

THIS DRAWING IS A CONTROLLED DOCUMENT.	
DIMENSIONS: mm	TOLERANCES UNLESS OTHERWISE SPECIFIED:
0 PLC ±-	1 PLC ±0,1
2 PLC ±0,05	3 PLC ±-
4 PLC ±-	ANGLES ±-
MATERIAL see notes material_2	FINISH see notes finish_spec_2

DWN	-
CHK	-
APVD	-
PRODUCT SPEC	108-19280
APPLICATION SPEC	114-19092
WEIGHT	gram
CUSTOMER DRAWING	

STE TE Connectivity

NAME: SIM CONNECTOR 5 DIRECTIONAL 6 positions

SIZE	CAGE CODE	DRAWING NO	RESTRICTED TO
A3	00779	C-1705300	

SCALE 8:1 SHEET 2 OF 2 REV KI

X-ON Electronics

Largest Supplier of Electrical and Electronic Components

Click to view similar products for [Memory Card Connectors](#) category:

Click to view products by [TE Connectivity](#) manufacturer:

Other Similar products are found below :

[M21-033321-005](#) [6407-249V-25273P](#) [6407-249V-25343P](#) [6426-201-21343](#) [69.920.0553.0](#) [FCN-568P068-G/07-4V](#) [809180410000000](#)
[HMCAP001](#) [252-0144-000](#) [2041353-2](#) [33CFAE-DN](#) [502431-1011](#) [NX1-32T-KT3K\(05\)](#) [95622-003LF](#) [N7E50-U516RB-50-SIN0005](#) [95079-00CALF](#) [33DVIR-29S12R](#) [125A-78C00](#) [MI20A-50PD-SF-EJL\(71\)](#) [KP10S-SF-PEJ\(812\)](#) [504536-0691](#) [504580-0691](#) [CCM03-3109 B LFT](#)
[MI21-50PD-SF\(91\)](#) [2309923-1](#) [61126-050CAHLF](#) [IC1GA-68PD-1.27DS-EJ\(72\)](#) [GTFP08432B1HR](#) [G85DT17001P1EU](#)
[G85B21611142HHR](#) [GSD090144HR](#) [G85D1140022P1HR](#) [GMCB05801124EU](#) [G85C11101152HHR](#) [G85B231021B1HR](#)
[G85D1160022HHR](#) [112K-TAA0-RA1](#) [115S-ACA2](#) [115S-ACA3](#) [115S-BS00](#) [115S-BT00](#) [115V-AD00](#) [503960-0695](#) [101B-TAA0-R](#) [101D-TAAA-R01](#) [101D-TAAB-R01](#) [104D-TCA0-R06](#) [104B-TAA0-R](#) [112C-TBAR-R02](#) [114B-40B00-R02](#)