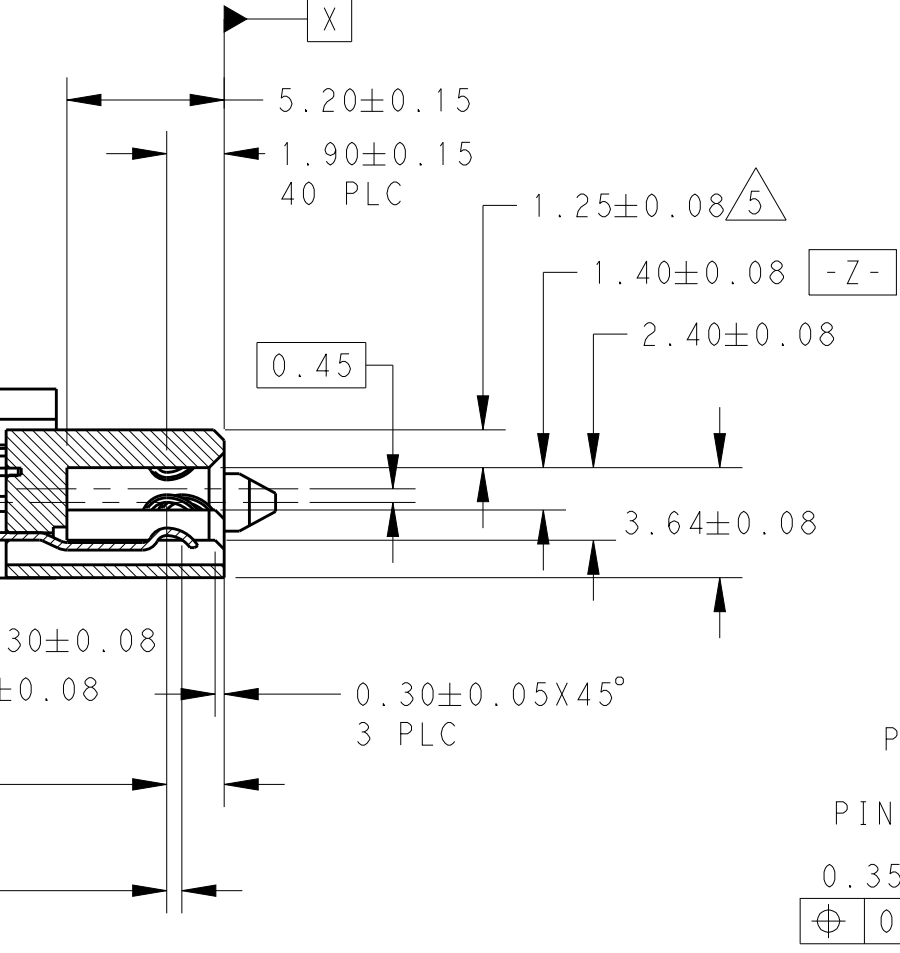
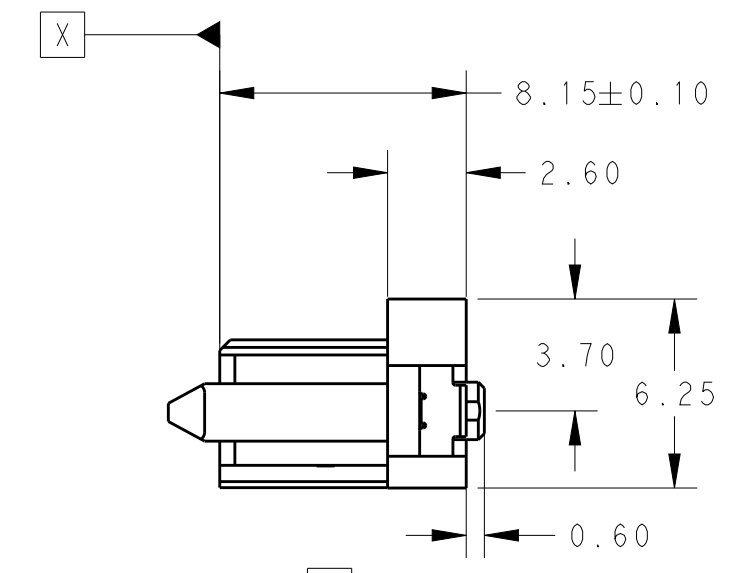
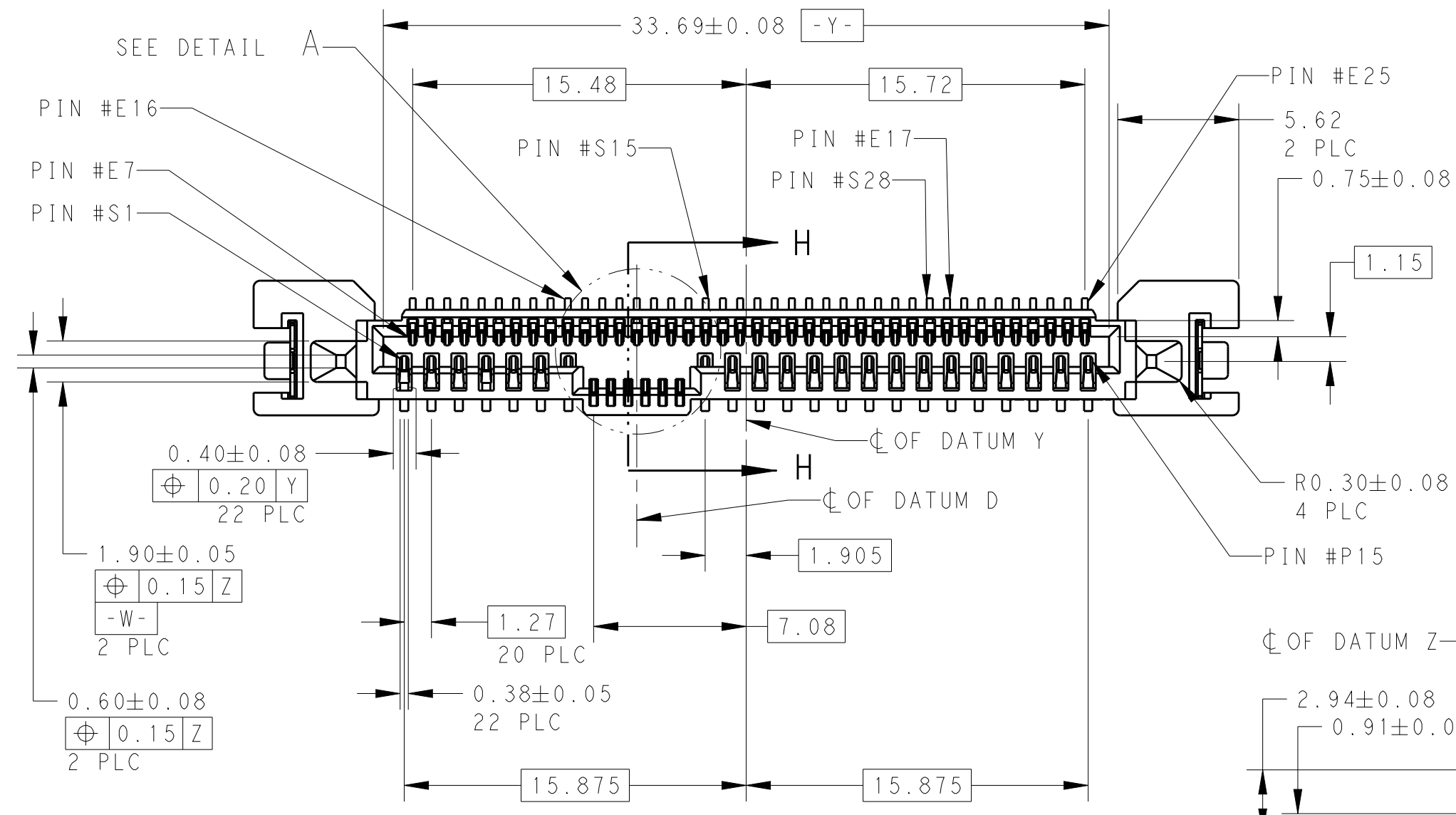


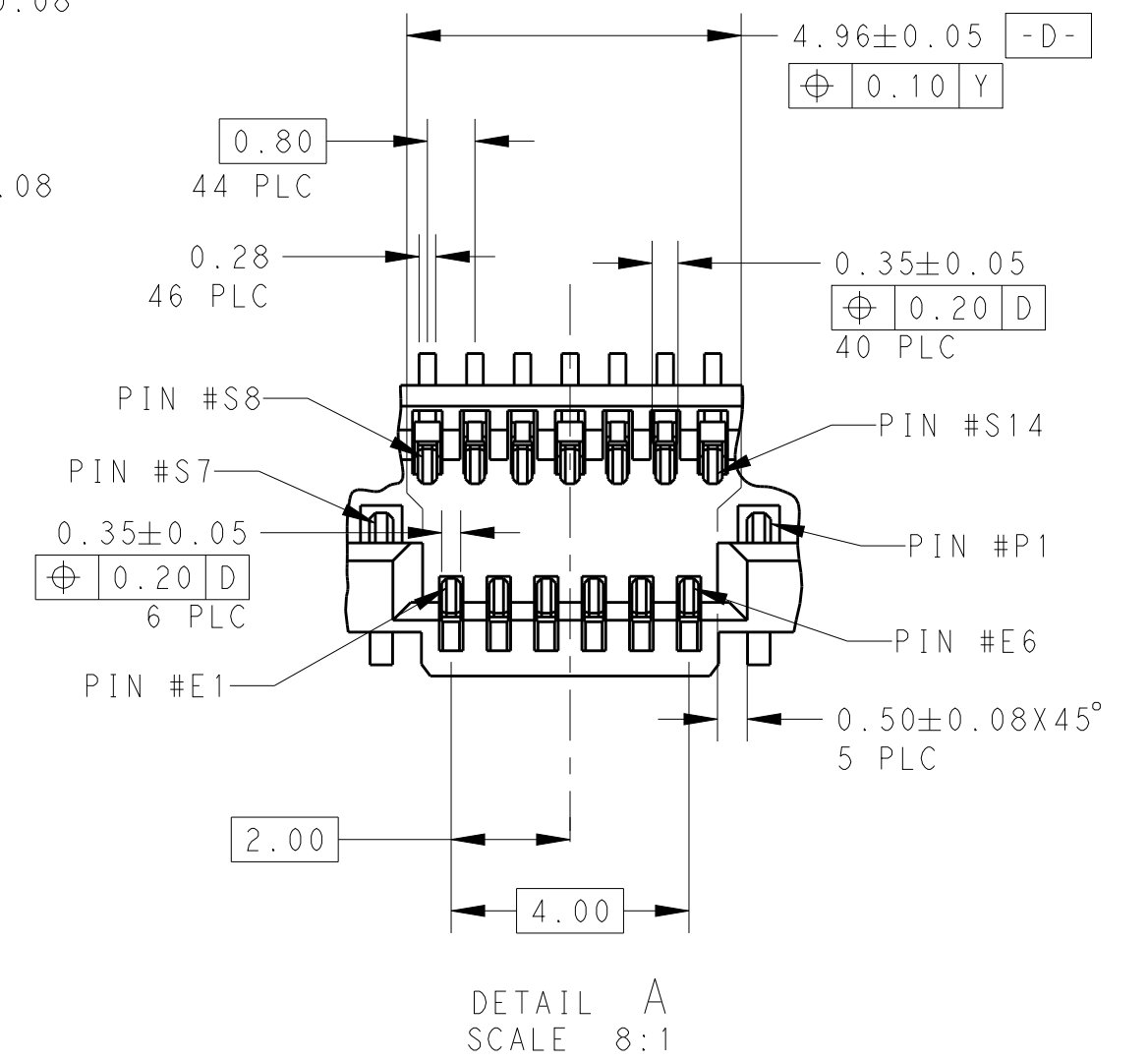
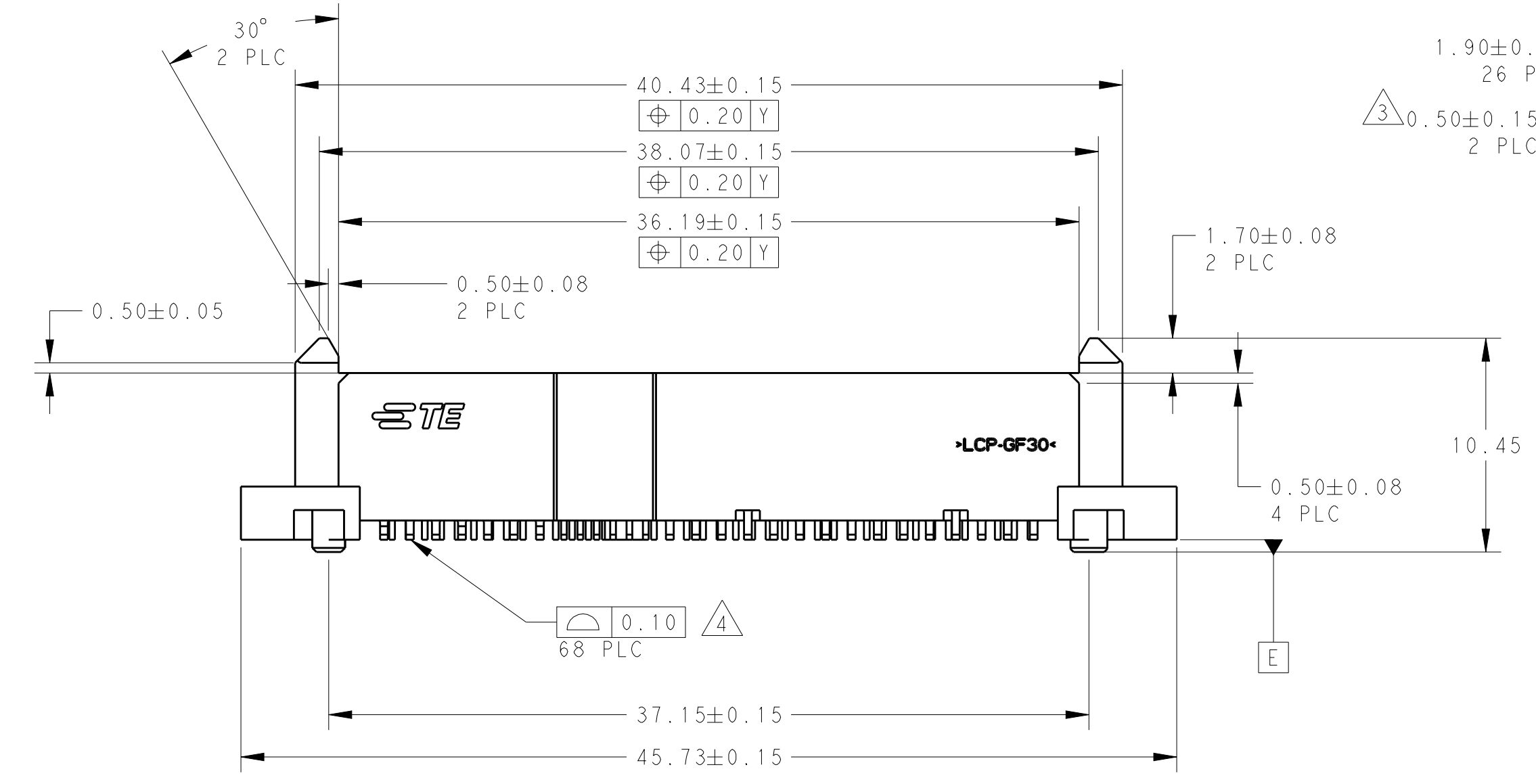
THIS DRAWING IS UNPUBLISHED. RELEASED FOR PUBLICATION 20  
 © COPYRIGHT 20 BY - ALL RIGHTS RESERVED.

REVISIONS					
P	LTR	DESCRIPTION	DATE	DWN	APVD
	A	RELEASED FOR PRODUCTION	04MAR2016	TX	SH



SECTION H-H  
SCALE 4:1

- NOTES:
- 1 MATERIAL:  
HOUSING: HIGH TEMP THERMOPLASTIC, UL94V-0,  
COLOR: BLACK  
CONTACT: COPPER ALLOY  
BOARDLOCK: COPPER ALLOY
  - 2 FINISH:  
CONTACT AREA: MIN 0.76µm GOLD PLATING  
SOLDERTAIL: MIN 2.54µm MATTE TIN PLATING  
UNDERPLATE: MIN 1.27µm NICKEL PLATING
  - 3 PIN #P4 AND #P12 ONLY
  - 4 SOLDERTAIL TO BE 0.05 MAX ABOVE  
AND 0.10 MAX BELOW DATUM E
  - 5 1.33 MAX MEASURED AT DATUM C



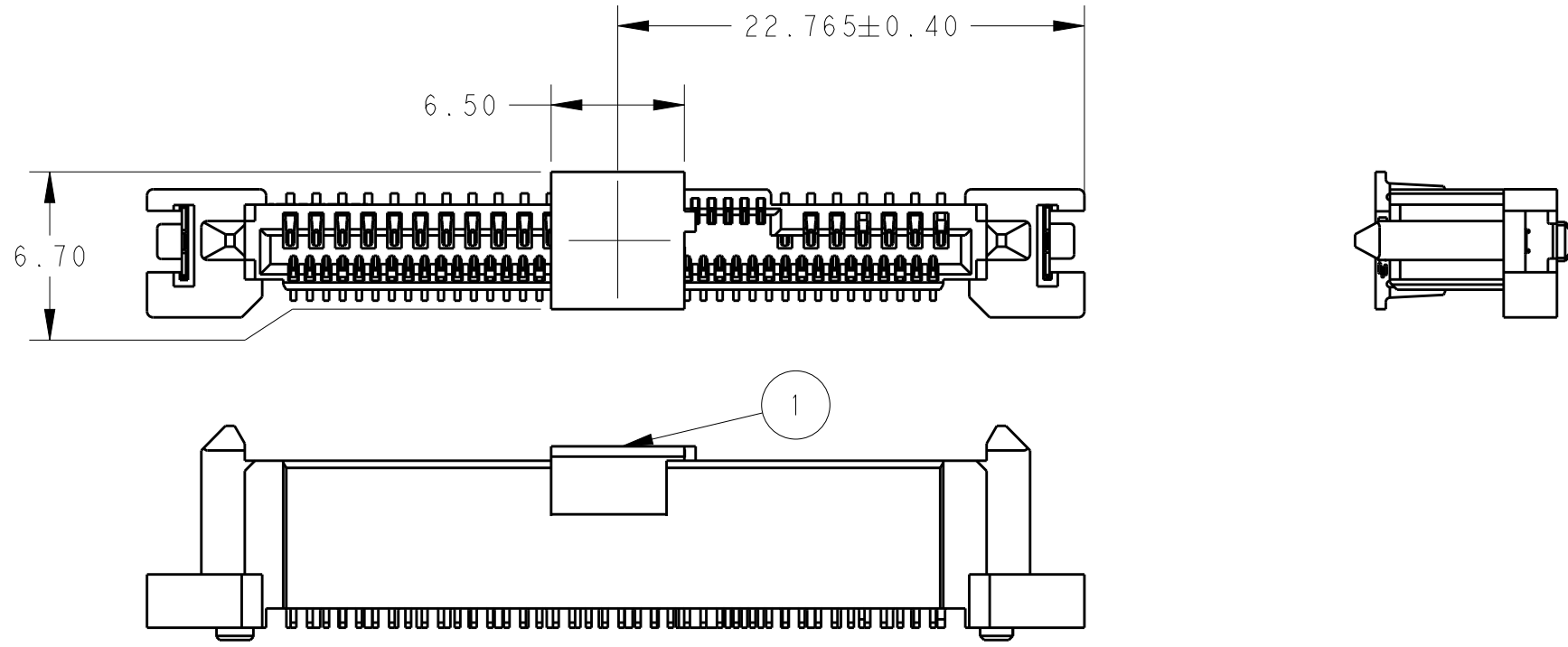
DETAIL A  
SCALE 8:1

YES	2170560-2
NO	2170560-1
PICK-UP CAP (1)	PART NUMBER

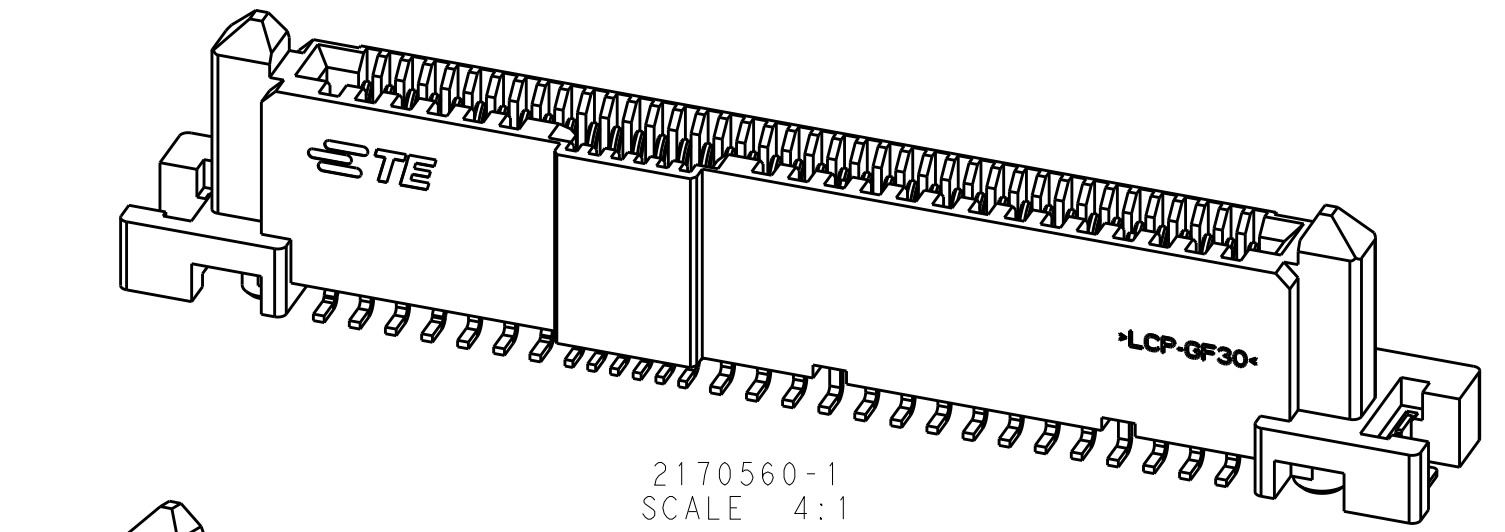
THIS DRAWING IS A CONTROLLED DOCUMENT.		DWN TIM XUE 20 JUN 2013	TE Connectivity	
DIMENSIONS: mm		CHK ALEX CAI 20 JUN 2013		
TOLERANCES UNLESS OTHERWISE SPECIFIED:		APVD ALEX CAI 20 JUN 2013	NAME 12G SAS/PCIe COMBO RECEPTACLE, STANDARD 15P+6P+7P+40P	
0 PLC ± 1 PLC ±0.20 2 PLC ±0.20 3 PLC ±0.20 4 PLC ±0.0001° ANGLES ±1° FINISH -		PRODUCT SPEC 108-51109	SIZE A2	
MATERIAL		APPLICATION SPEC 114-60017	CAGE CODE -	DRAWING NO C-2170560
-		WEIGHT -	RESTRICTED TO -	SCALE 2:1
-		CUSTOMER DRAWING	SHEET 1 OF 2	REV A

THIS DRAWING IS UNPUBLISHED. RELEASED FOR PUBLICATION 20  
 © COPYRIGHT 20 BY - ALL RIGHTS RESERVED.

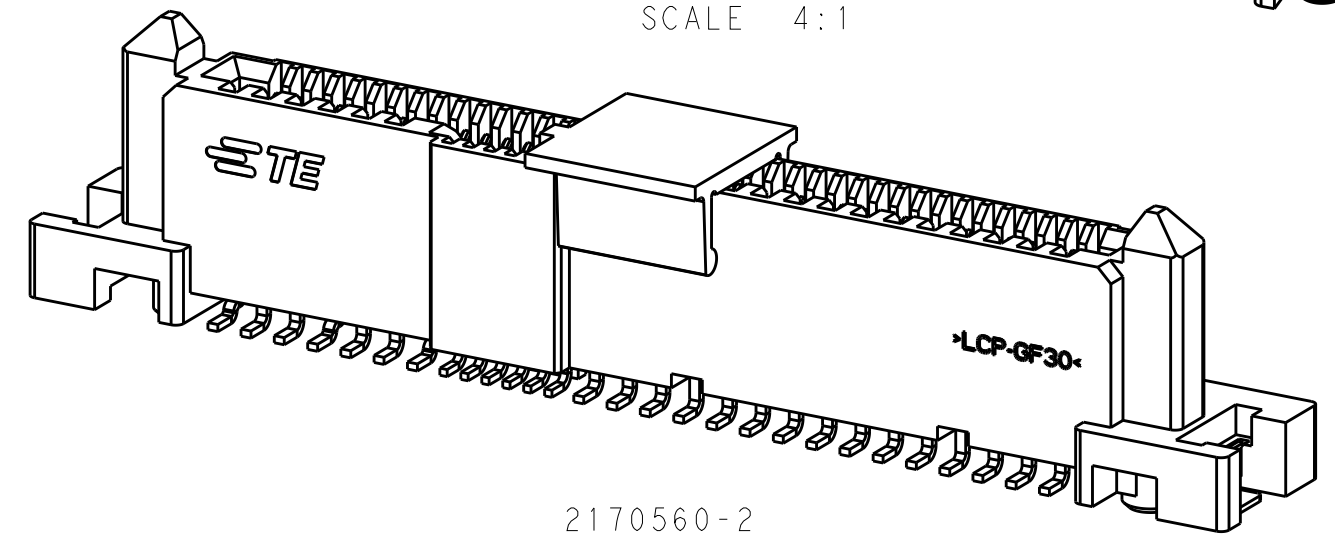
REVISIONS				
P	LTR	DESCRIPTION	DATE	APVD
-	-	SEE SHEET 1	-	-



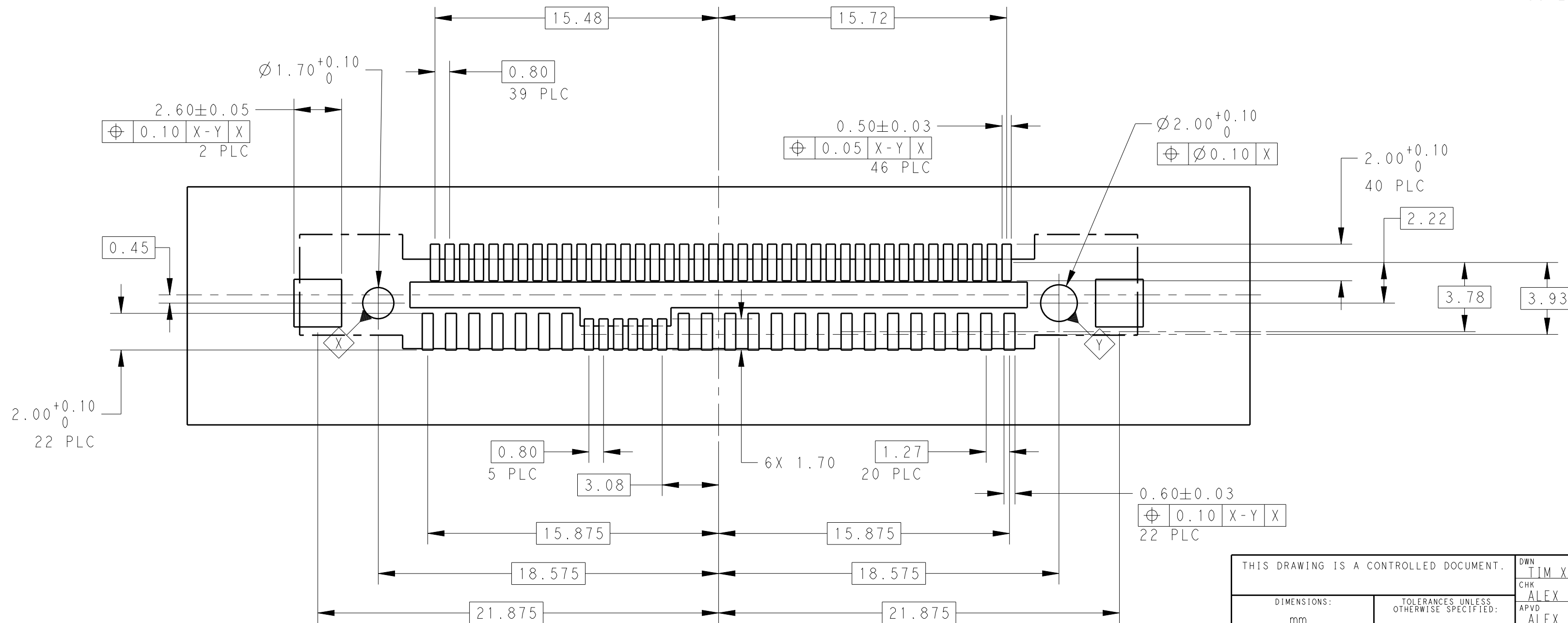
P/N:2170560-2 AS SHOWN  
 RECEPTACLE WITH PICK-UP CAP



2170560-1  
 SCALE 4:1



2170560-2  
 SCALE 4:1



RECOMMENDED RECEPTACLE BOARD LAYOUT  
 SCALE 5:1

THIS DRAWING IS A CONTROLLED DOCUMENT.		DWN TIM XUE 20 JUN 2013	TE Connectivity
DIMENSIONS: mm		CHK ALEX CAI 20 JUN 2013	
TOLERANCES UNLESS OTHERWISE SPECIFIED:		APVD ALEX CAI 20 JUN 2013	
0 PLC ± 1 PLC ±0.20 2 PLC ±0.20 3 PLC ±0.20 4 PLC ±0.0001 ANGLES ±1° FINISH -		PRODUCT SPEC 108-51109 APPLICATION SPEC 114-60017 WEIGHT -	
MATERIAL -		CUSTOMER DRAWING	NAME 12G SAS/PCIe COMBO RECEPTACLE, STANDARD 15P+6P+7P+40P SIZE A2 CAGE CODE - DRAWING NO G-2170560 RESTRICTED TO - SCALE 2:1 SHEET 2 OF 2 REV A

## X-ON Electronics

Largest Supplier of Electrical and Electronic Components

*Click to view similar products for [PCI Express/PCI Connectors](#) category:*

*Click to view products by [TE Connectivity](#) manufacturer:*

Other Similar products are found below :

[UEX220-6U](#) [0877159203](#) [10039755-10110TLF](#) [10039755-10211TLF](#) [10025026-10003PLF](#) [10125756-A41010LF](#) [10125756-980000LF](#) [1-1871239-2](#) [2170560-2](#) [10082378-11003TLF](#) [10125756-980000LF](#) [1775861-2](#) [10039755-10111TLF](#) [EB220-3U](#) [WD2M144WB2R300](#)  
[10061913-120PLF](#) [10108777-10002WLF](#) [GPCP146400111HR](#) [10144667-112Y0LF](#) [10144667-113Y0LF](#) [205058-1001](#) [GPCP446200120HR](#)  
[GPCP245400111HR](#) [10082378-10000TLF](#) [10082378-10001TLF](#) [87715-9256](#) [MDT580M03001](#) [0877159107](#) [205058-1003](#) [MDT580M01001](#)  
[10018783-11000MLF](#) [10061913-103BLF](#) [10145445-10003MLF](#) [PSASF2130311TR](#) [10147430-113T0LF](#) [10146070-113Y0LF](#)  
[MDT670M01005](#) [10108777-10200MLF](#) [MDT420M01002](#) [PSASF3130211TR](#) [PSASF4130051TR](#) [PSASM2130412TR](#) [PSASM2130391TR](#)  
[10139595-111T0LF](#) [10139595-110T0LF](#) [PSASF3130131TR](#) [0745400501](#) [7-1734774-7](#) [10150900-052R2LF](#) [3-1761465-1](#)