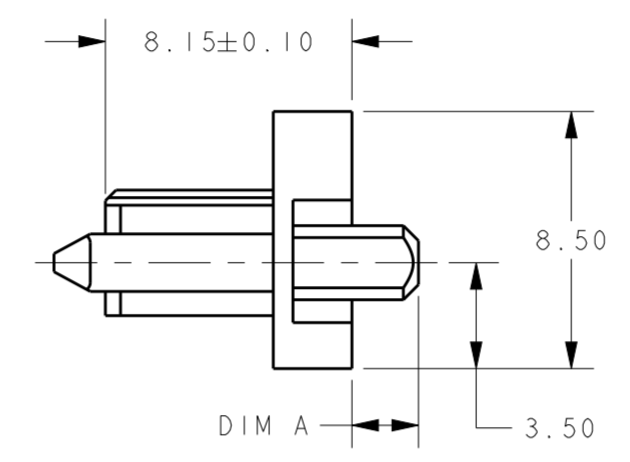
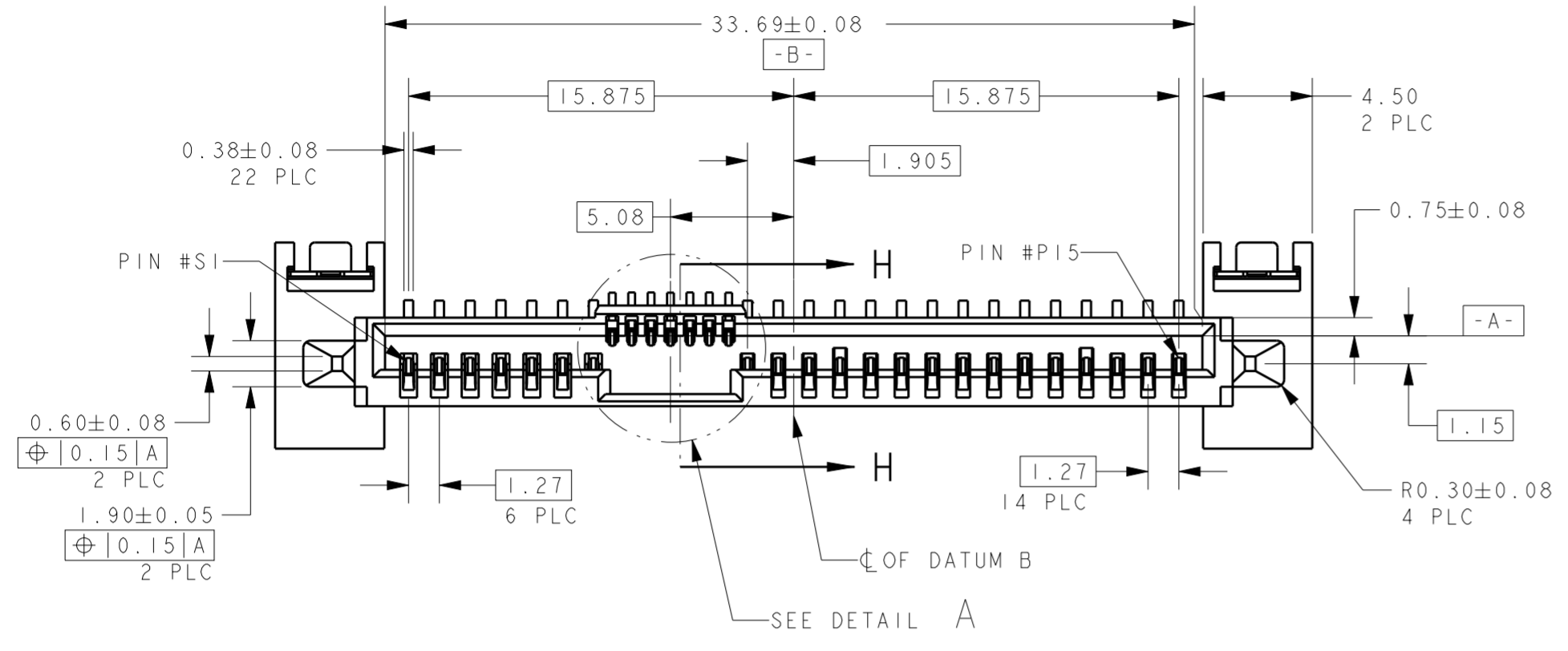
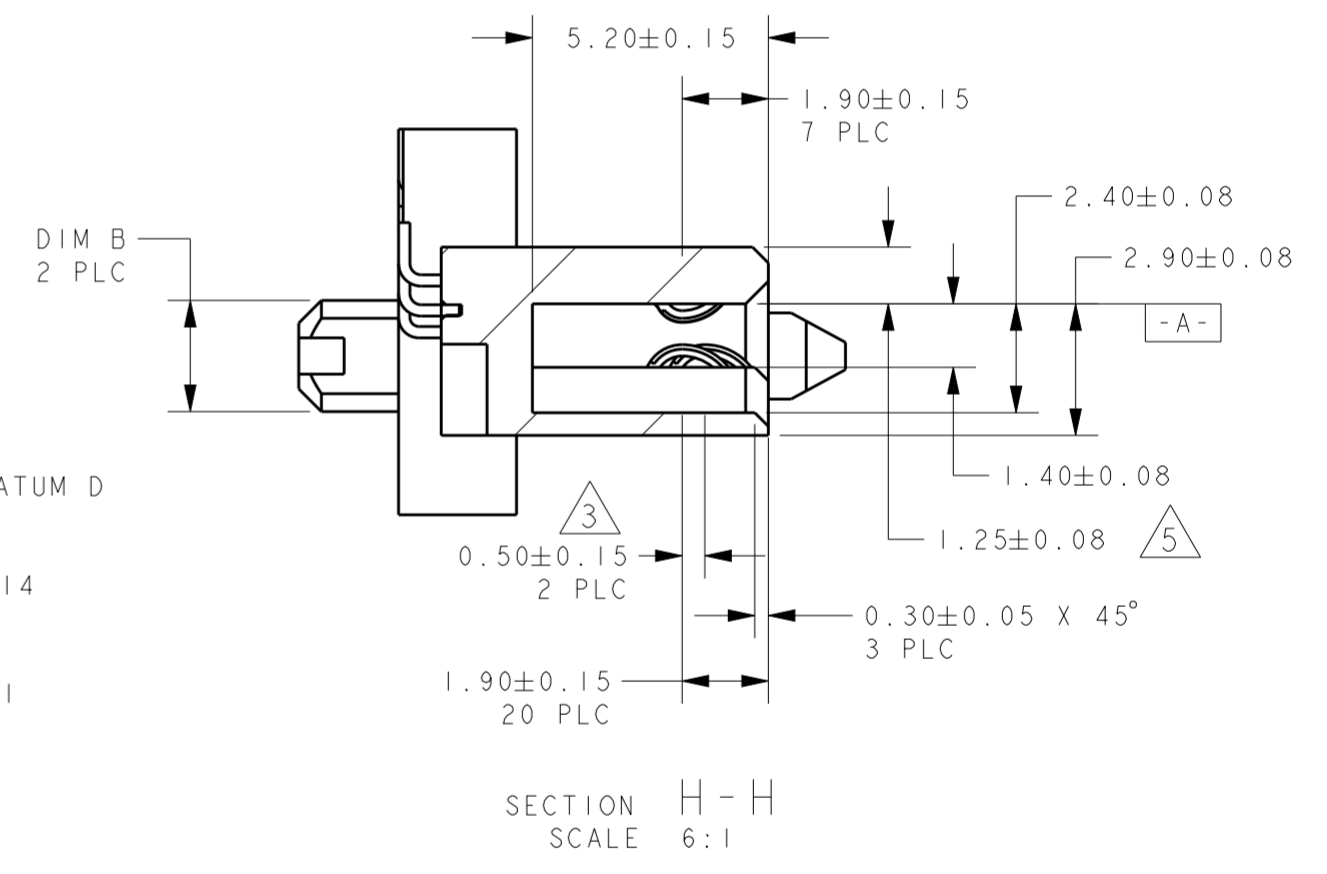
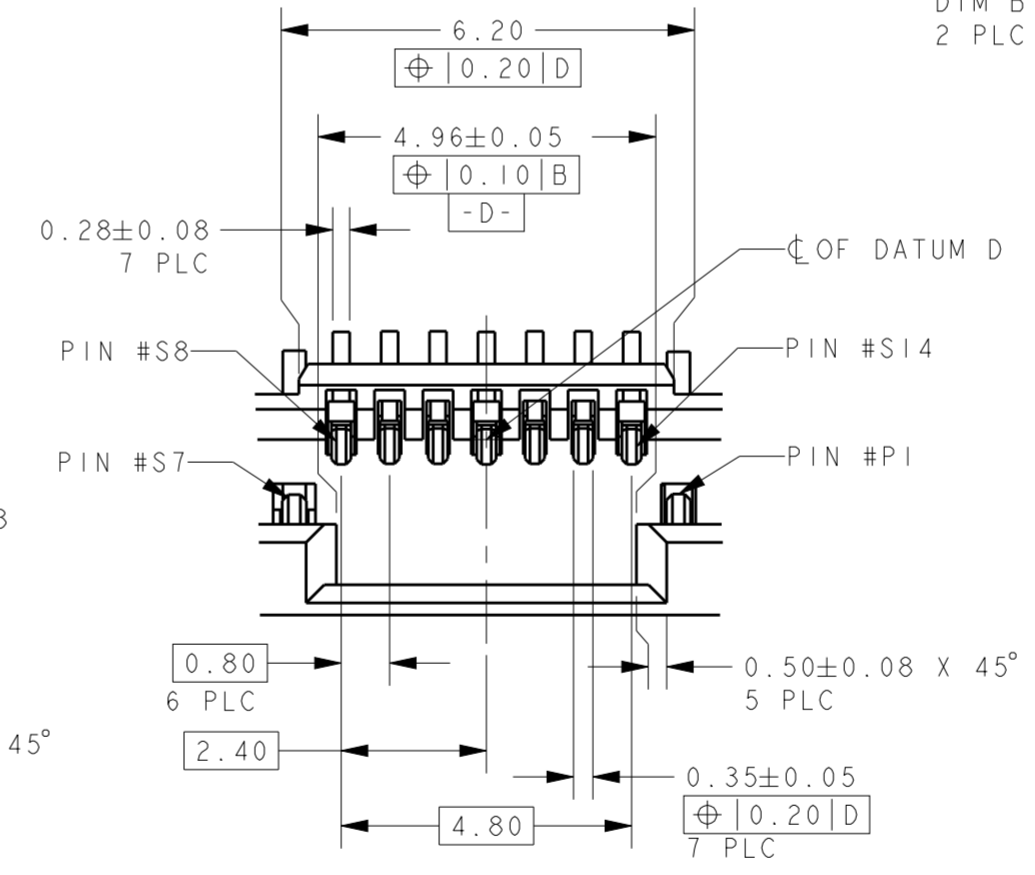
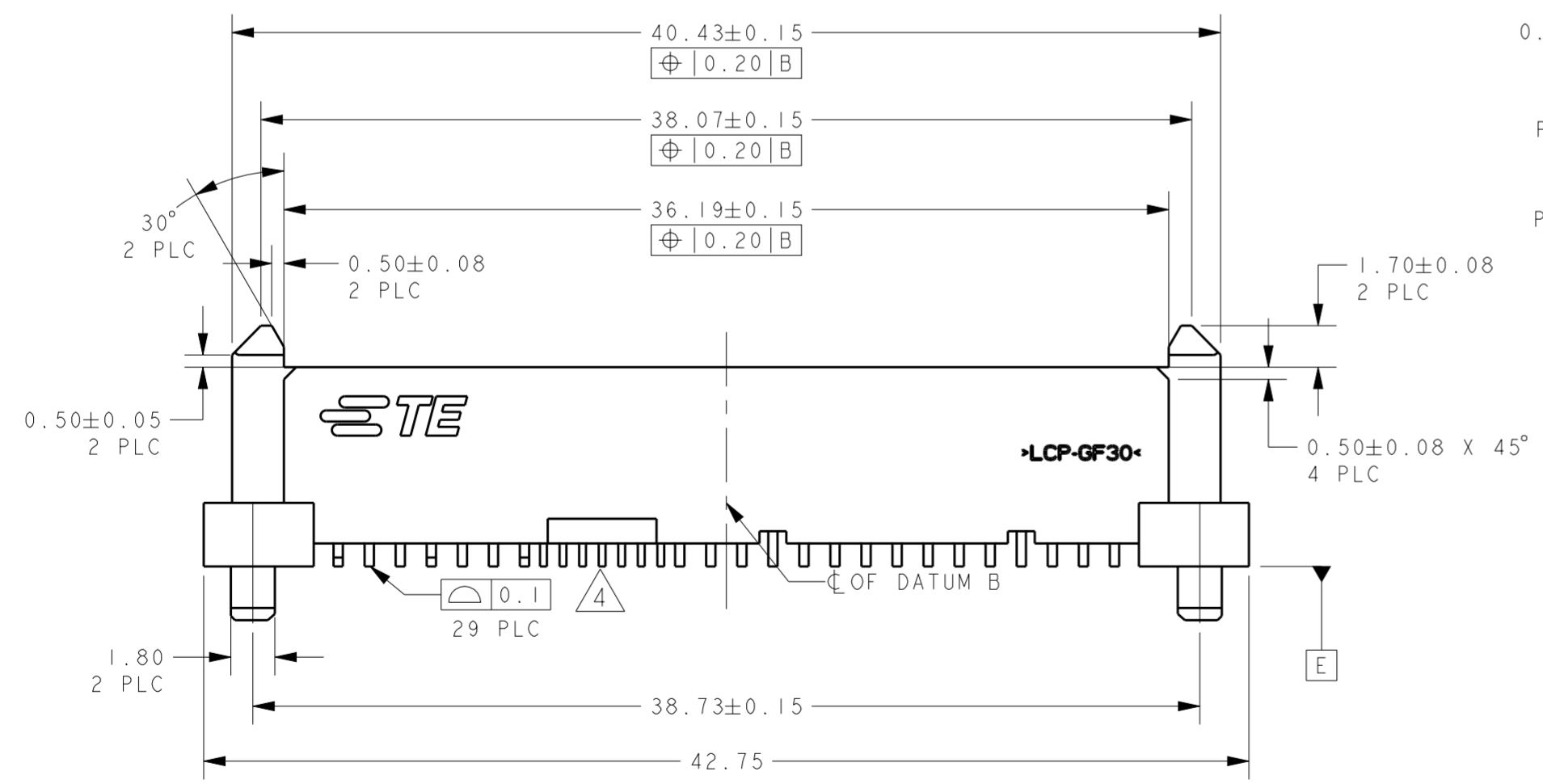


THIS DRAWING IS UNPUBLISHED. RELEASED FOR PUBLICATION 20
 © COPYRIGHT 2012 ALL RIGHTS RESERVED.

LOC	DIST	REVISIONS					
		P	LTR	DESCRIPTION	DATE	DWN	APVD
J	-	A		RELEASED FOR PRODUCTION	07MAR2016	TX	SH



- NOTES:
- MATERIAL:
HOUSING: HIGH TEMP THERMOPLASTIC, UL94V-0,
COLOR: BLACK
CONTACT: COPPER ALLOY
BOARDLOCK: COPPER ALLOY
 - FINISH:
CONTACT AREA: MIN 0.76um GOLD PLATING
SOLDERTAIL: MIN 2.54um MATTE TIN PLATING
UNDERPLATE: MIN 1.27um NICKEL PLATING
 - PIN PIN #P4 AND PIN #P12 ONLY
 - SOLDERTAIL TO BE WITHIN 0.05MAX ABOVE AND 0.10MAX BELOW DATUM E
 - 1.33 MAX MEASURED AT DATUM X
 - PACKAGING: TAPE AND REEL



DIM C	DIM B	DIM A	DESCRIPTION	PART NUMBER
Ø1.40	Ø1.26	1.00	WITH PICK-UP CAP	2170563-3
Ø2.50	Ø2.45	2.20	WITHOUT PICK-UP CAP	2170563-2
Ø2.50	Ø2.45	2.20	WITH PICK-UP CAP	2170563-1

THIS DRAWING IS A CONTROLLED DOCUMENT.

DWN	TIM XUE	26 JUL 2013
CHK	ALEX CAI	26 JUL 2013
APVD	ALEX CAI	26 JUL 2013
PRODUCT SPEC	108-51109	
APPLICATION SPEC	114-60017	
WEIGHT		

STE TE Connectivity

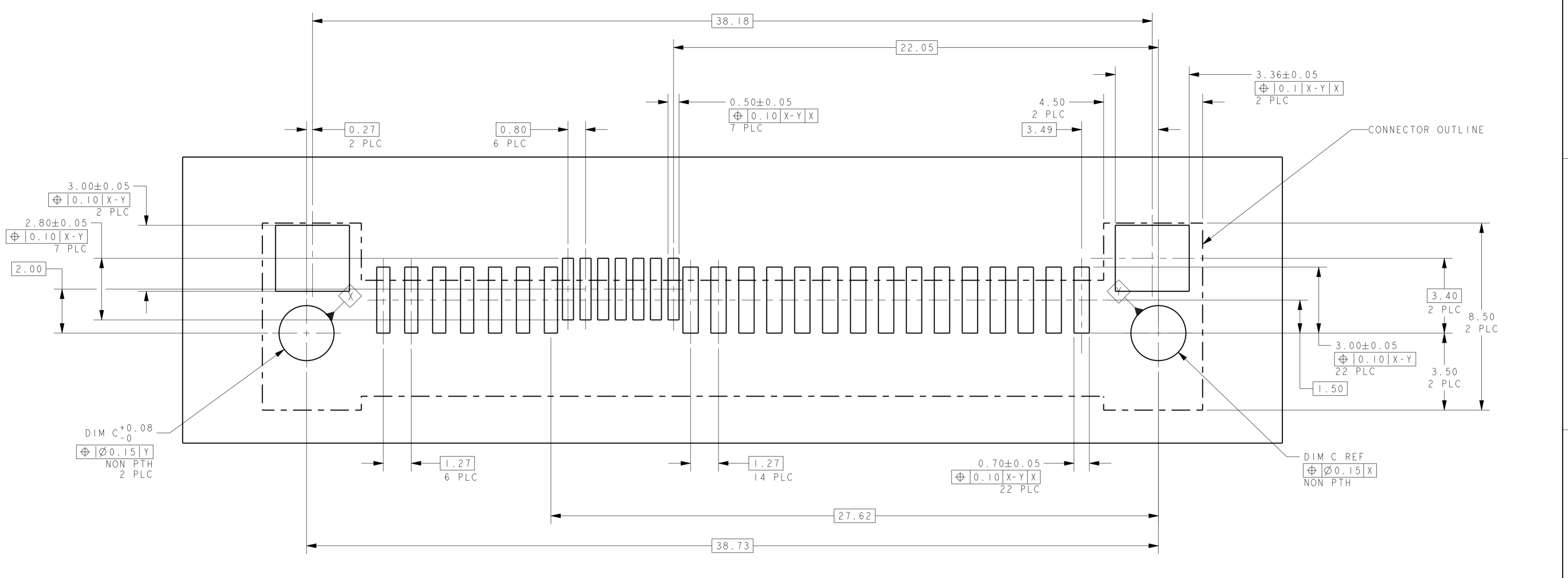
126 SAS RECEPTACLE
DUALLINK, WITH BOARDLOCK
1-SIDED, 15P+7P+7P

SIZE	CAGE CODE	DRAWING NO	RESTRICTED TO
A2	07779	C-2170563	-

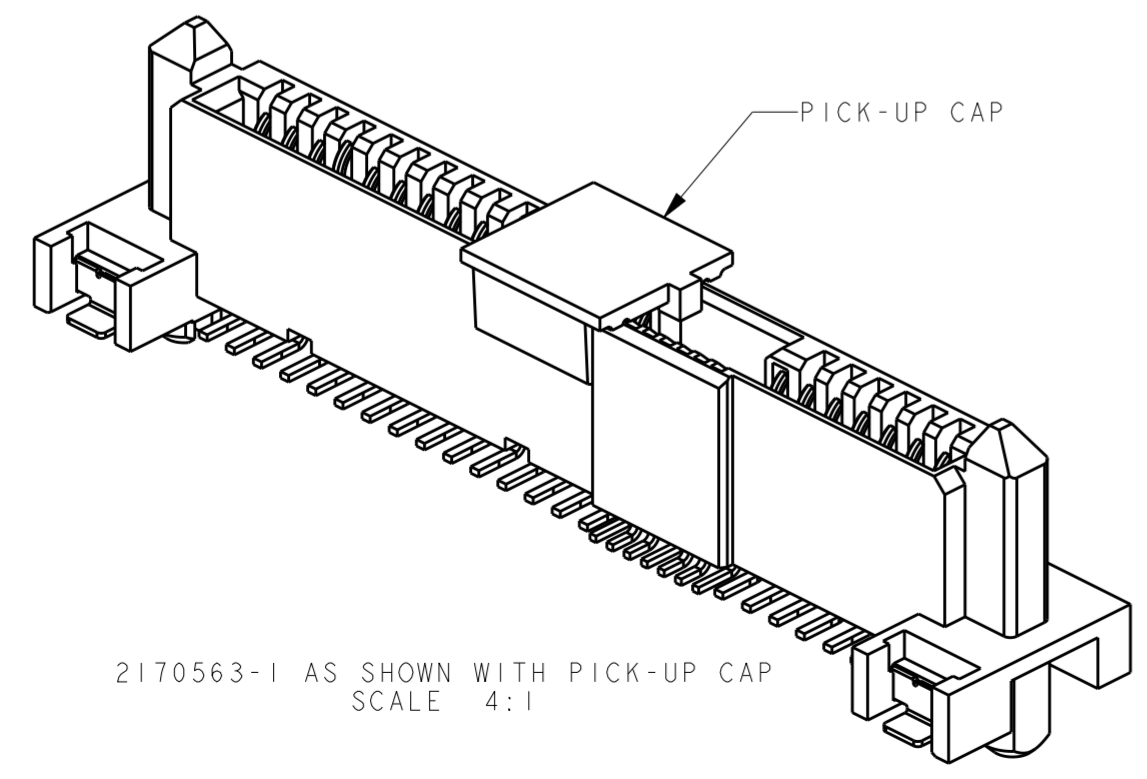
CUSTOMER DRAWING SCALE 2:1 SHEET 1 OF 2 REV A

THIS DRAWING IS UNPUBLISHED. RELEASED FOR PUBLICATION 20
 © COPYRIGHT 2012 ALL RIGHTS RESERVED.

LOC	DIST	REVISIONS			
P	LTR	DESCRIPTION	DATE	DWN	APVD
-	-	SEE SHEET 1	-	-	-



RECOMMENDED RECEPTACLE BOARD LAYOUT
 SCALE 8:1



2170563-1 AS SHOWN WITH PICK-UP CAP
 SCALE 4:1

THIS DRAWING IS A CONTROLLED DOCUMENT.		DWN TIM XUE 26 JUL 2013	 TE Connectivity	NAME 12G SAS RECEPTACLE DUALINK, WITH BOARDLOCK 1-SIDED, 15P+7P+7P	
DIMENSIONS: mm		CHK ALEX CAI 26 JUL 2013		SIZE 108-51109	
TOLERANCES UNLESS OTHERWISE SPECIFIED: 0 PLC ± 1 PLC ±0.20 2 PLC ±0.20 3 PLC ±0.20 4 PLC ± ANGLES ±3° FINISH		APVD ALEX CAI 26 JUL 2013		DRAWING NO 114-60017	
MATERIAL		PRODUCT SPEC APPLICATION SPEC		RESTRICTED TO -	
		WEIGHT	SCALE 2:1		
		CUSTOMER DRAWING	SHEET 2 OF 2		
			REV A		

X-ON Electronics

Largest Supplier of Electrical and Electronic Components

Click to view similar products for [I/O Connectors](#) category:

Click to view products by [TE Connectivity](#) manufacturer:

Other Similar products are found below :

[571763P](#) [58098-0628](#) [61-168618-12P](#) [D38999/20FJ29SB L/C](#) [72.250.1628.2](#) [72.250.2428.2](#) [74720-0505](#) [747680210](#) [76.350.0729.0](#) [76871-1403](#) [FCN-244F080-G/1](#) [FCN-260A9920](#) [FCN-268D024-G/2F#10X-R10](#) [MP-5T180MUNNA-005](#) [MP-5XRJ45UNNB-003](#) [PCS-E50FA](#) [PCS-XE26LKA](#) [PCS-XE26MA+](#) [PCS-XES68MS+](#) [G38A71314B](#) [91-569719-35R](#) [9776-18-6](#) [DX40-50P\(55\)](#) [1571250010](#) [157-22500-3](#) [MS3471L14-19P L/C](#) [171224-6031](#) [1888020-8](#) [91-569786-35H](#) [91-569786-35M](#) [91-644626-35P](#) [172501-4002](#) [172501-6002](#) [FCN-260C008-A/L0](#) [FCN-260C024-AL0](#) [FCN-268D008-G/1K](#) [2000314-1](#) [200331-1](#) [2007498-2](#) [PCR-E28LMDAG1+](#) [PCR-E36FC+](#) [PCS-E28FS+](#) [PCS-XE26SLFD+](#) [PCS-XE26SLFDT+](#) [G38A71214B](#) [HDRA-E68W1LFDTTC-SL+](#) [HDR-E14MSG1+](#) [R88A-CNK81S](#) [CRT1-ATT02](#) [54182-0605](#)