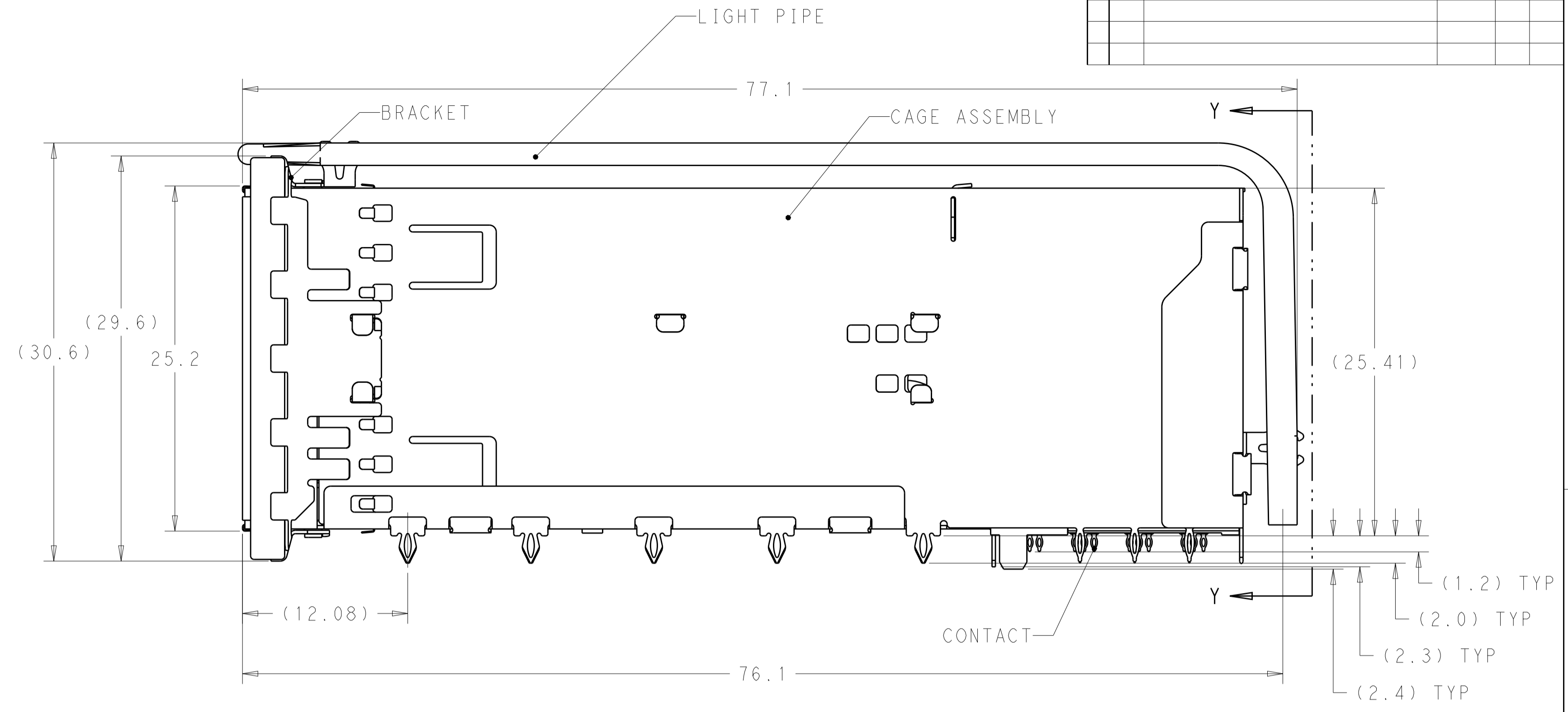
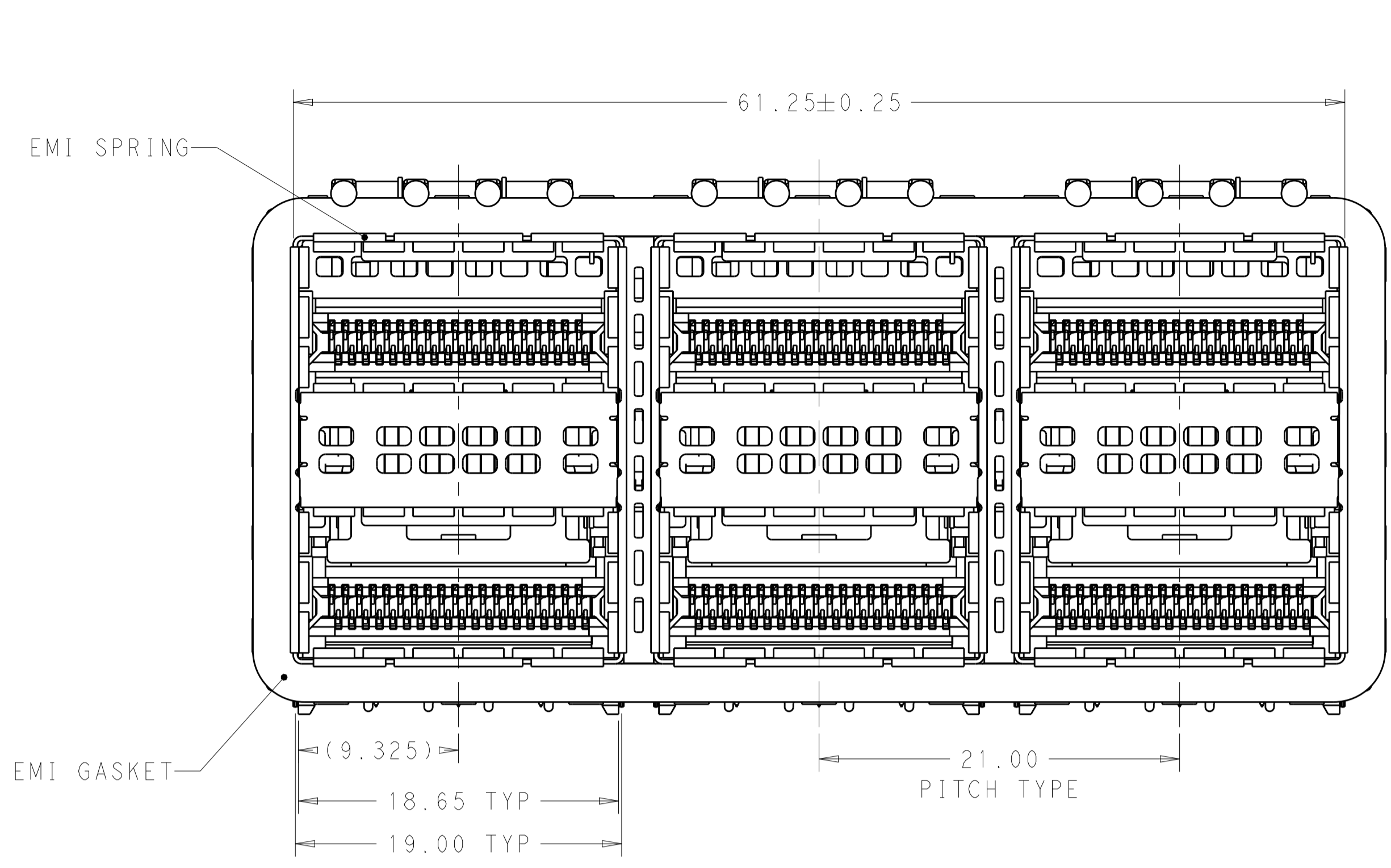
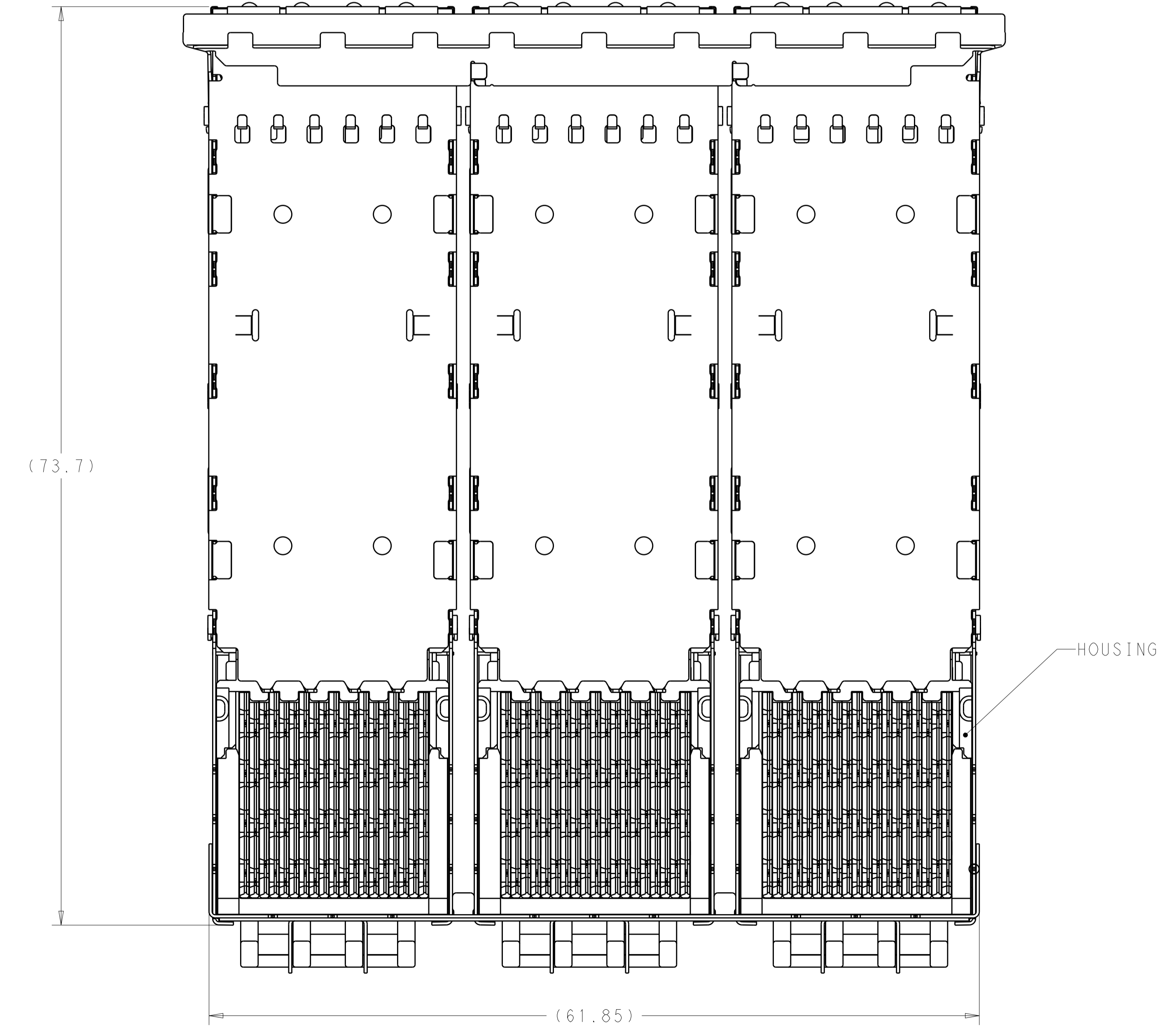


REVISIONS				
P.	LTM	DESCRIPTION	DATE	APVD
A		PROMOTE TO PRODUCTION	04NOV2016	TX SH



2170610-1 AS SHOWN

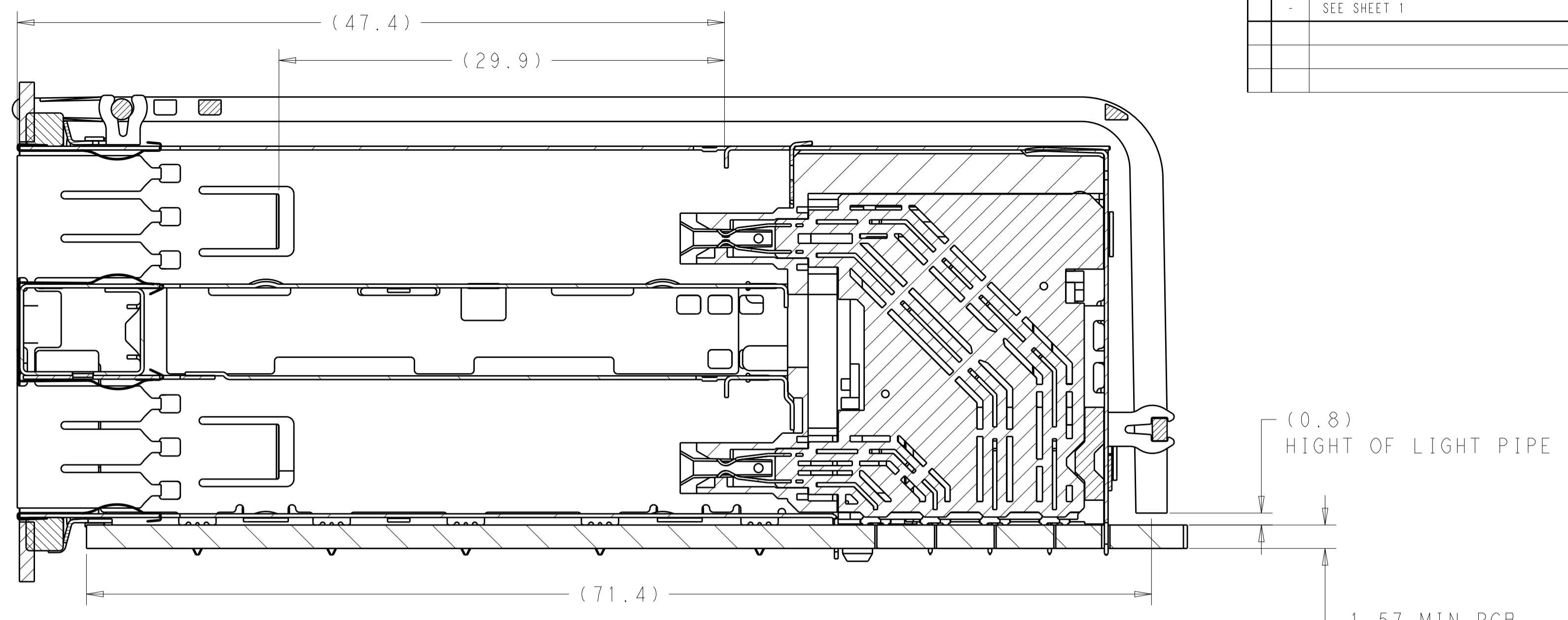
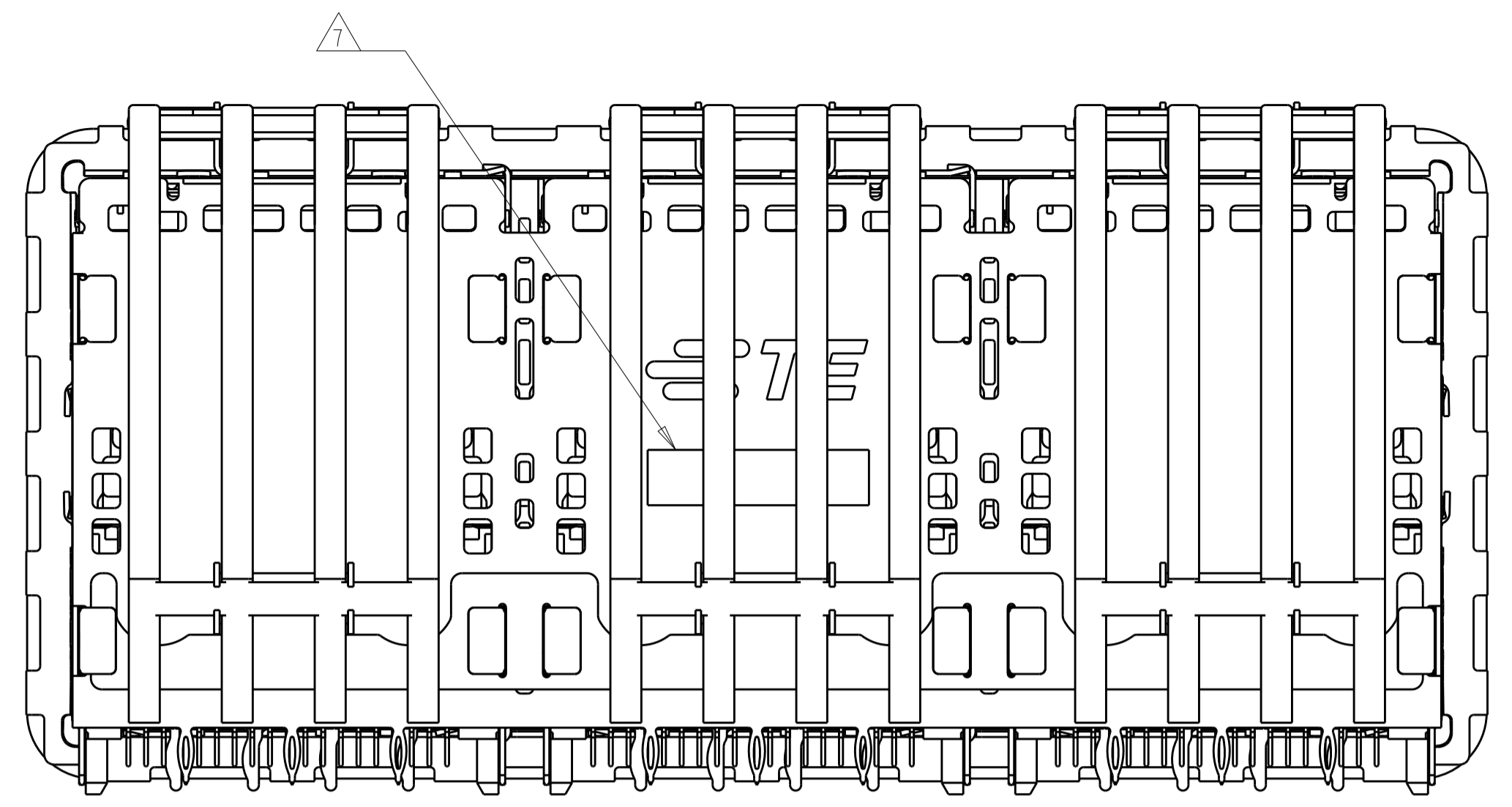


- MATERIALS:
CAGE ASSEMBLY- NICKEL SILVER ALLOY PER ASTM B 122.
BRACKET- STAINLESS STEEL.
EMI SPRING- COPPER ALLOY, NICKEL PLATED.
EMI GASKET- PLATED FILLED SILICONE WITH 94V-0.
HOUSING- POLYESTER LCP WITH 94V-0.
CHICKLET- POLYESTER LCP WITH 94V-0.
CONTACT- COPPER ALLOY.
LIGHTPIPE- POLYCARBONATE WITH 94V-0.
- CONTACT FINISH: $0.76 \mu\text{m}$ GOLD ON MATING END, $1.25 \mu\text{m}$ MATT TIN ON SOLDER TAIL, ALL OVER $1.27 \mu\text{m}$ NICKEL.
- DATUM AND BASIC DIMENSION ESTABLISHED BY CUSTOMER.
- MINIMUM PCB THICKNESS: 1.57mm .
- THE ENTIRE AREA OF THE CONNECTOR FOOTPRINT, INDICATED BY THE DASHED LINE, TO BE CONSIDERED THE KEEPOUT AREA FOR COMPONENTS.
- CROSS-HATCHED AREAS REPRESENT ZONES ON THE PCB THAT COME IN CONTACT WITH OR BE IN CLOSE PROXIMITY TO THE PLASTIC HOUSING OR THE CONNECTOR CAGE. INDICATED AREAS TO BE CONSIDERED TRACE FREE.
- PART NUMBER AND DATE CODE MARKED IN APPROXIMATE AREA SHOWN.
- HATCHED AREA IS PLACEMENT ZONE FOR LED. LED SHOULD BE CENTERED WITHIN ZONE. RECOMMEND 0805 PACKAGE.
- CONTACT FINISH: $0.08 \mu\text{m}$ MINIMUM GOLD OVER $0.68 \mu\text{m}$ PALLADIUM-NICKEL ON MATING END, $1.25 \mu\text{m}$ MATT TIN ON SOLDER TAIL, ALL OVER $1.27 \mu\text{m}$ NICKEL.

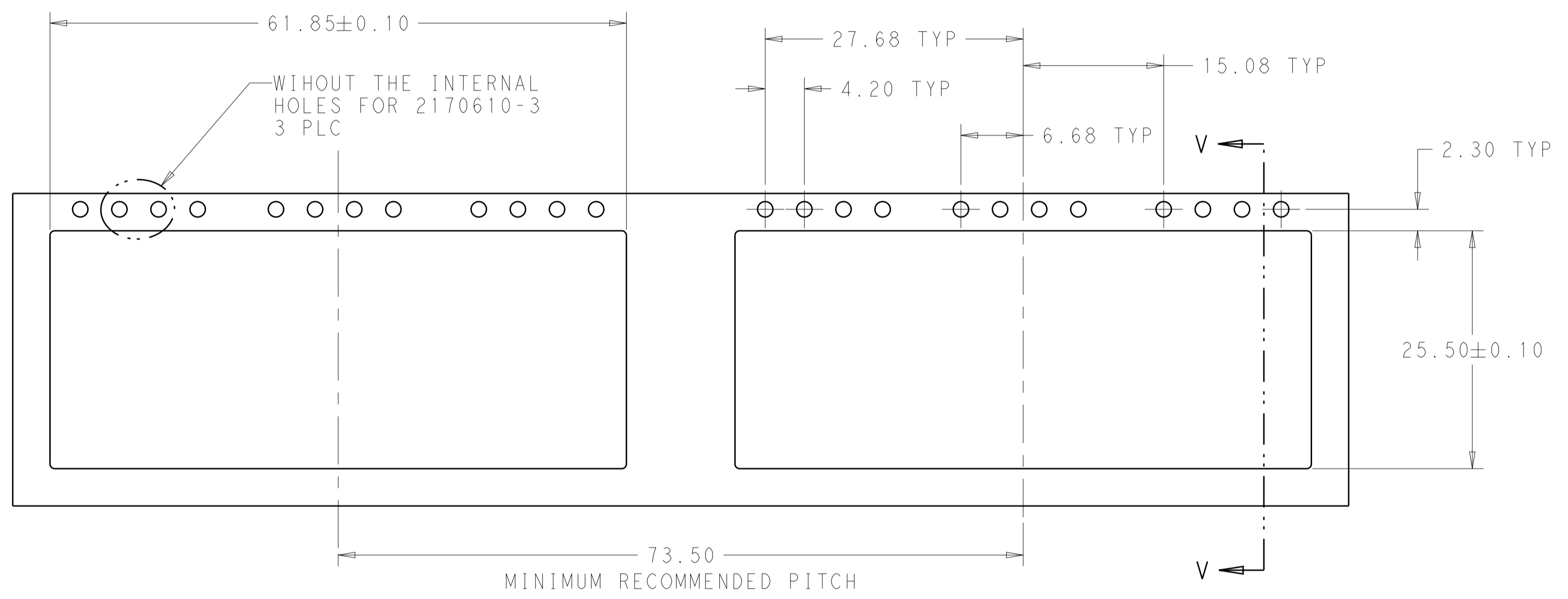
CONTACT FINISHED	DESCRIPTION	PART NUMBER
2	Au PLATING	2170610-3
9	Pd-Ni PLATING	2170610-2
2	Au PLATING	2170610-1

THIS DRAWING IS A CONTROLLED DOCUMENT.		OWN: REVIN DING 21OCT13	TE Connectivity
DIMENSIONS: mm		CHK: JASON YANG 21OCT13	
TOLERANCES UNLESS OTHERWISE SPECIFIED:		APPD: JASON YANG 21OCT13	NAME: CAGE AND CONNECTOR ASSEMBLY, WITH EMI GASKET, 2X3, THERMAL FOOTPRINT, ZQSPF+STACKED PRODUCT SPEC: 108-60102 APPLICATION SPEC: 114-60015
0 PLC ± 1 PLC ±0.25 2 PLC ±0.15 3 PLC ± 4 PLC ± ANGLES ±7°		WEIGHT: - CUSTOMER DRAWING	
MATERIAL: SEE NOTE 1		FINISH: SEE NOTE 2	SIZE: CAGE CODE DRAWING NO: A100779 SCALE: 4:1 SHEET 1 OF 4 REV A

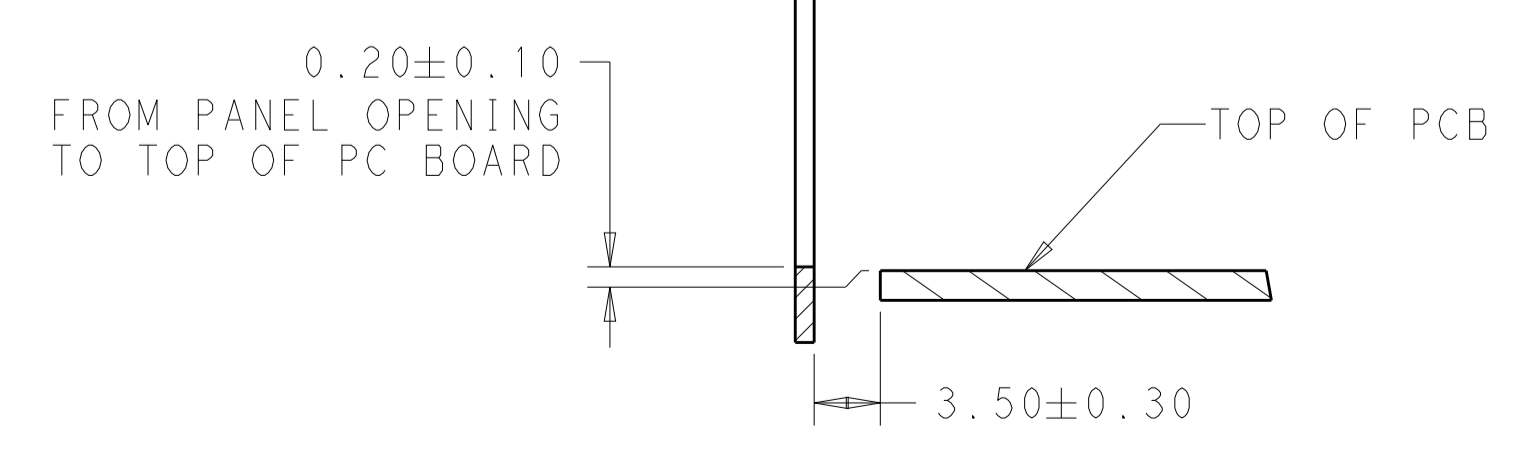
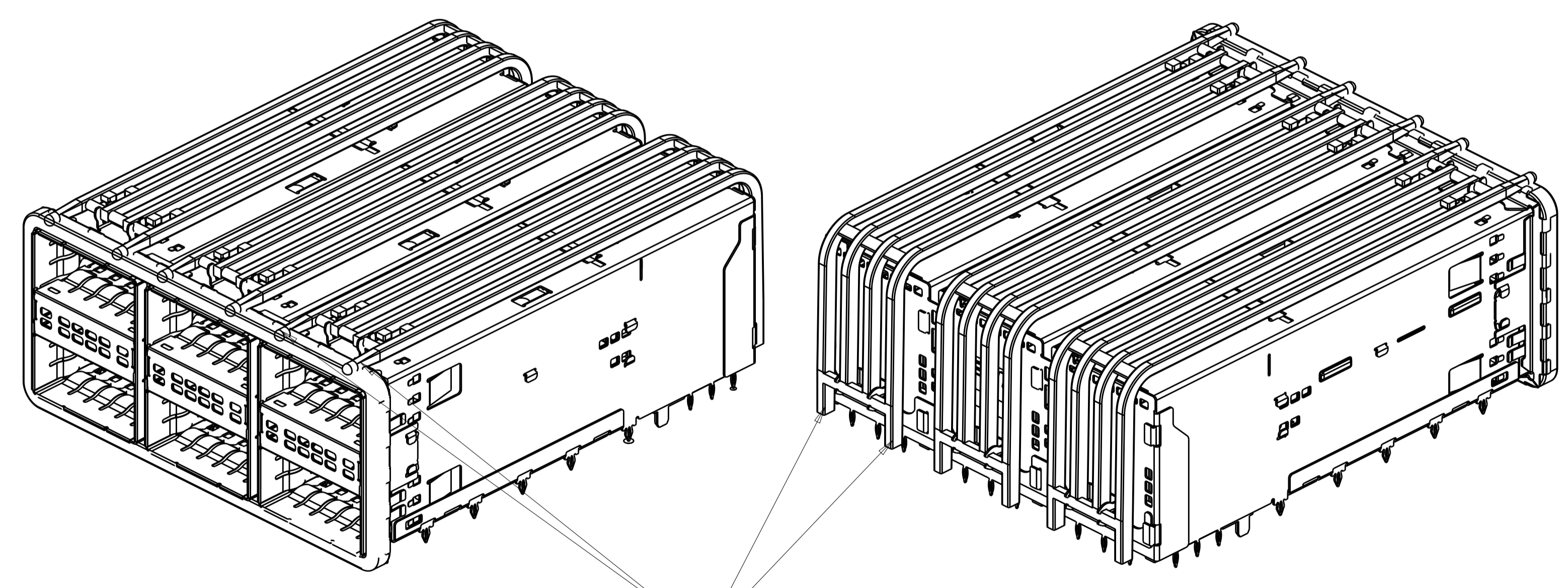
REVISIONS				
P.	LTN.	DESCRIPTION	DATE	APP'D.
-	-	SEE SHEET 1	-	-



SECTION V-V
SCALE 4:1



RECOMMENDED PANEL CUTOUT AND PC BOARD, PANEL POSITION



SECTION V-V

THIS DRAWING IS A CONTROLLED DOCUMENT.		DWN: REVIN DING 210CT13 CHK: JASON YANG 210CT13 APVD: JASON YANG 210CT13	TE Connectivity
DIMENSIONS: mm	TOLERANCES UNLESS OTHERWISE SPECIFIED: 0 PLC ± 1 PLC ±0.25 2 PLC ±0.15 3 PLC ± 4 PLC ± ANGLES ±7°	NAME: CAGE AND CONNECTOR ASSEMBLY, WITH EMI GASKET, 2X3, THERMAL FOOTPRINT, ZOSFP+STACKED PRODUCT SPEC: 108-60102 APPLICATION SPEC: 114-60015	
MATERIAL: SEE NOTE 1	FINISH: SEE NOTE 2	SIZE: 114-60015 WEIGHT: - CUSTOMER DRAWING	SCALE: 4:1 SHEET 2 OF 4 REV A

X-ON Electronics

Largest Supplier of Electrical and Electronic Components

Click to view similar products for [I/O Connectors](#) category:

Click to view products by [TE Connectivity](#) manufacturer:

Other Similar products are found below :

[571763P](#) [58098-0628](#) [72.250.1628.2](#) [72.250.2428.2](#) [74720-0505](#) [76.350.0729.0](#) [76871-1403](#) [FCN-244F080-G/1](#) [FCN-260A9920](#) [PCR-E36PM](#) [PCS-XE26MA+](#) [G38A71314B](#) [1571250010](#) [157-22500-3](#) [MS3471L14-19P L/C](#) [172501-4002](#) [172501-6002](#) [FCN-260C008-A/L0](#) [FCN-260C024-AL0](#) [FCN-261Z008](#) [2000314-1](#) [200331-1](#) [PCR-E36FC+](#) [PCS-E28FS+](#) [PCS-XE26SLFD+](#) [PCS-XE26SLFDT+](#) [G730VID08BDC24](#) [U90B2054081210](#) [38113800006](#) [DP3AR020WQ1R200](#) [Z4.102.0680.0](#) [500-1040](#) [500-1052](#) [500-1054](#) [ZP-4008-66L](#) [0709821002](#) [DX40-20P\(55\)](#) [5554841-1](#) [MS3474W18-8P-LC*](#) [U90B3054061110](#) [U65-E04-4020](#) [ZPF000000000097891](#) [747360449](#) [10099439-003C-TRLF](#) [10137239-0021LF](#) [E9320-001-01](#) [10137239-0011LF](#) [70289-001LF](#) [70.060.1028.0](#) [109029-ZZ](#)