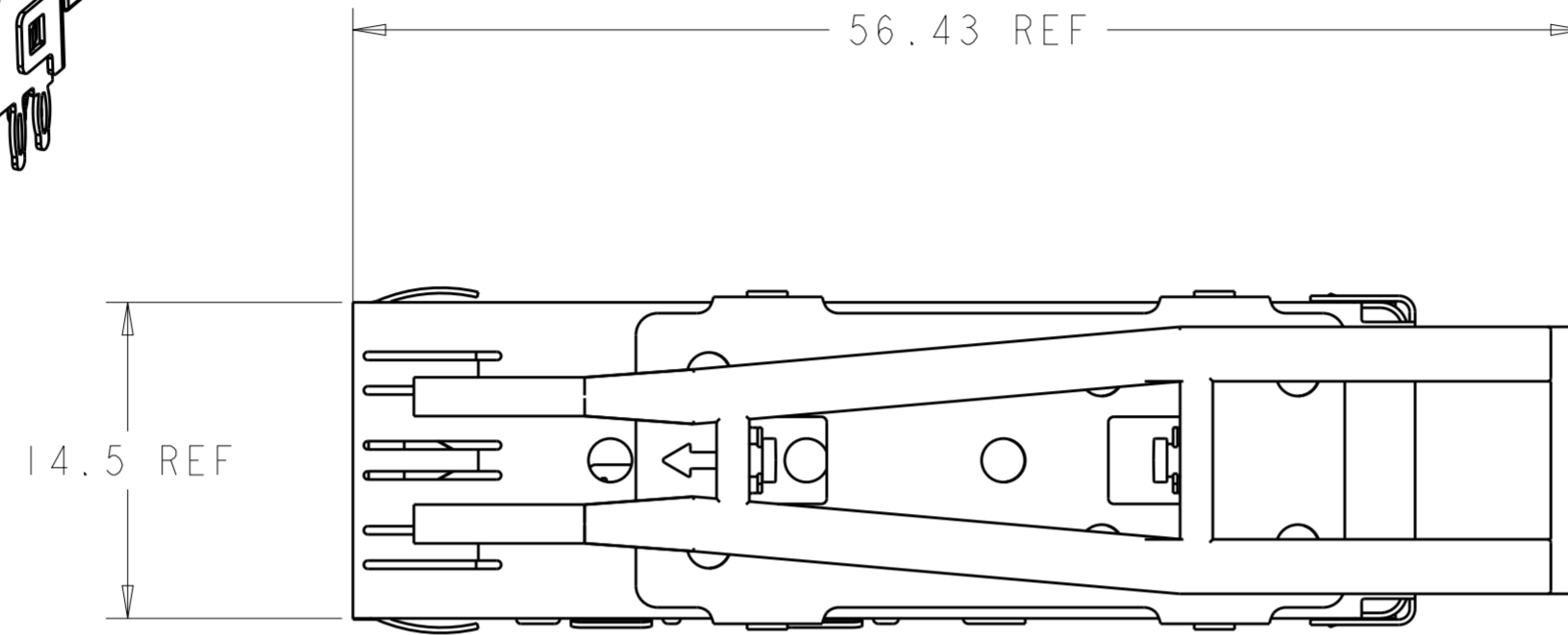
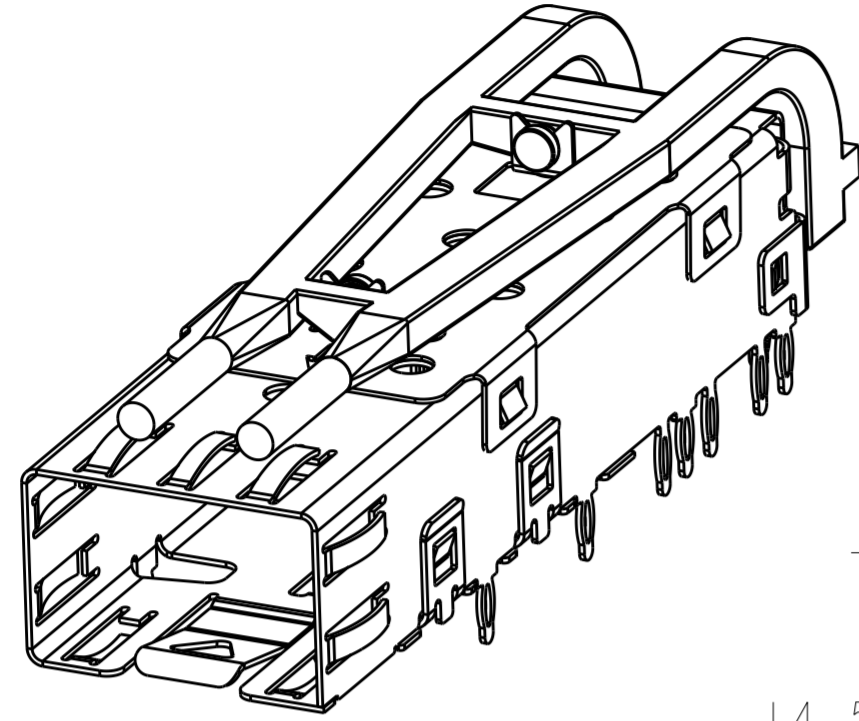
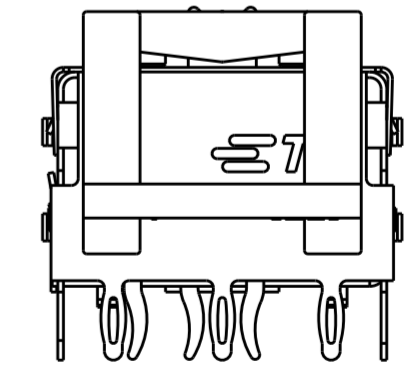
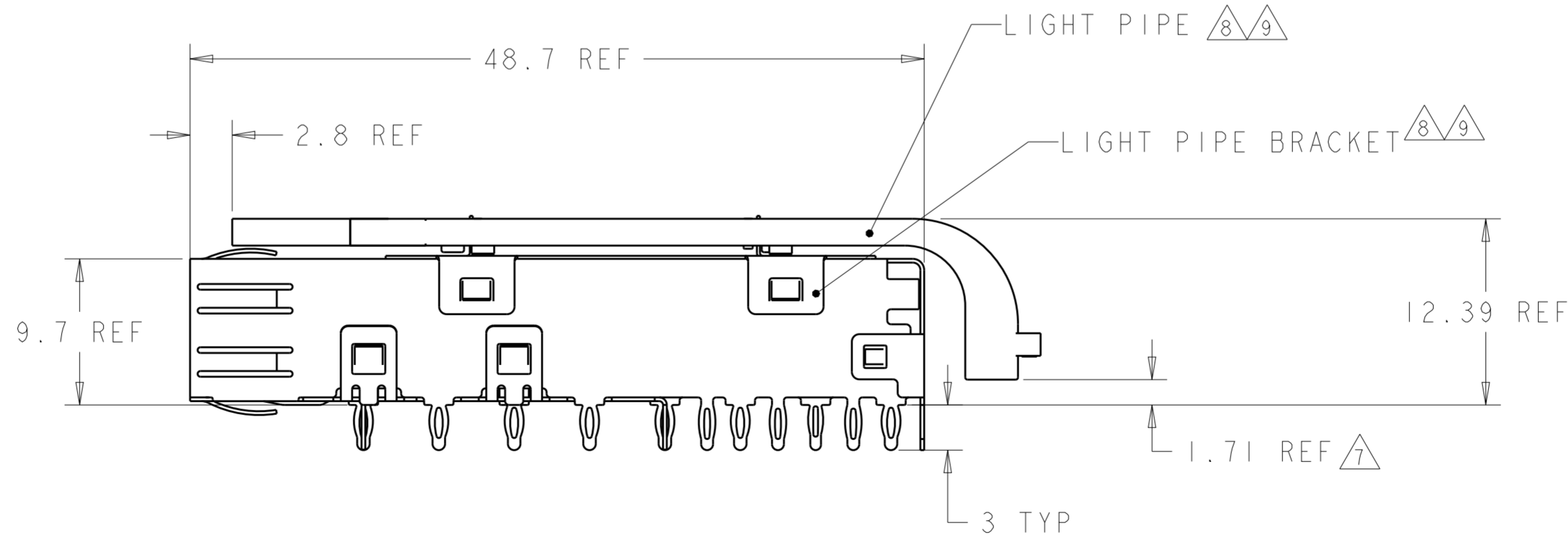
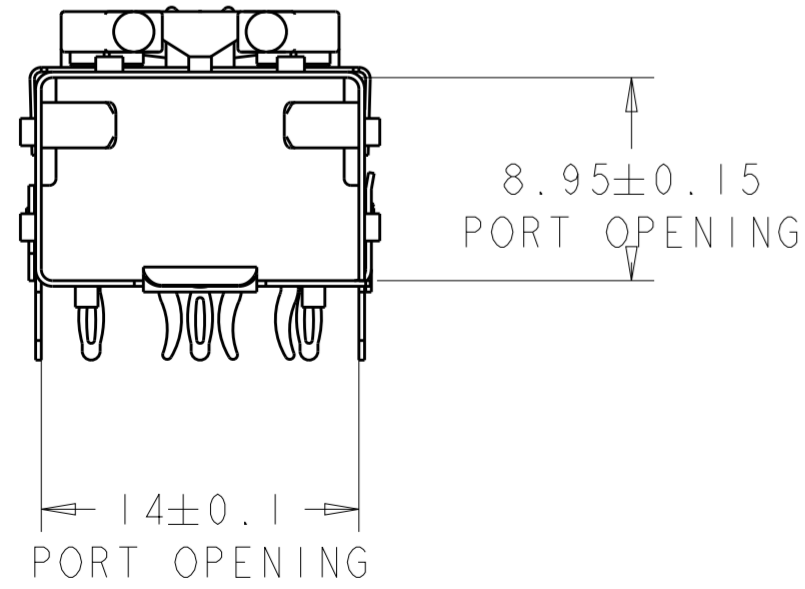


THIS DRAWING IS UNPUBLISHED. RELEASED FOR PUBLICATION 20
 © COPYRIGHT 20 ALL RIGHTS RESERVED.

LOC	DIST	REVISIONS					
GP	00	P	LTR	DESCRIPTION	DATE	DWN	APVD
		I		INITIAL	20DEC2013	JW	SH
		A		REVISED PER ECO-15-012974	10SEP2015	JW	SH



- ① MATERIAL:
 CAGE: STAINLESS STEEL.
 LIGHTPIPE: POLYCARBONATE, CLEAR
 LIGHTPIPE BRACKET: STAINLESS STEEL.
- ② FINISH:
 CAGE: NICKEL. NONPLATED EDGES PERMISSABLE.
- 3. MATES WITH SFP MSA COMPLIANT TRANSCEIVERS.
- ④ PADS AND VIAS CHASSIS GROUND.
- ⑤ DATUM AND BASIC DIMENSIONS ESTABLISHED BY CUSTOMER.
- 6. MINIMUM PC BOARD THICKNESS:
 SINGLE SIDED: 1.50 mm
 (SHOWN ON SHEET 4).
- ⑦ MAX HEIGHT OF LED OFF BOARD IS NOT TO EXCEED 1.14mm.
- ⑧ LIGHT PIPE AND LIGHT PIPE BRACKET SHIPPED ASSEMBLED.
- ⑨ LIGHT PIPE ASSEMBLY SHIPPED UNASSEMBLED TO CAGE ASSEMBLY. CAGE ASSEMBLY TO BE PRESSED INTO THE PCB PRIOR TO ATTACHING THE LIGHT PIPE ASSEMBLY TO THE CAGE.



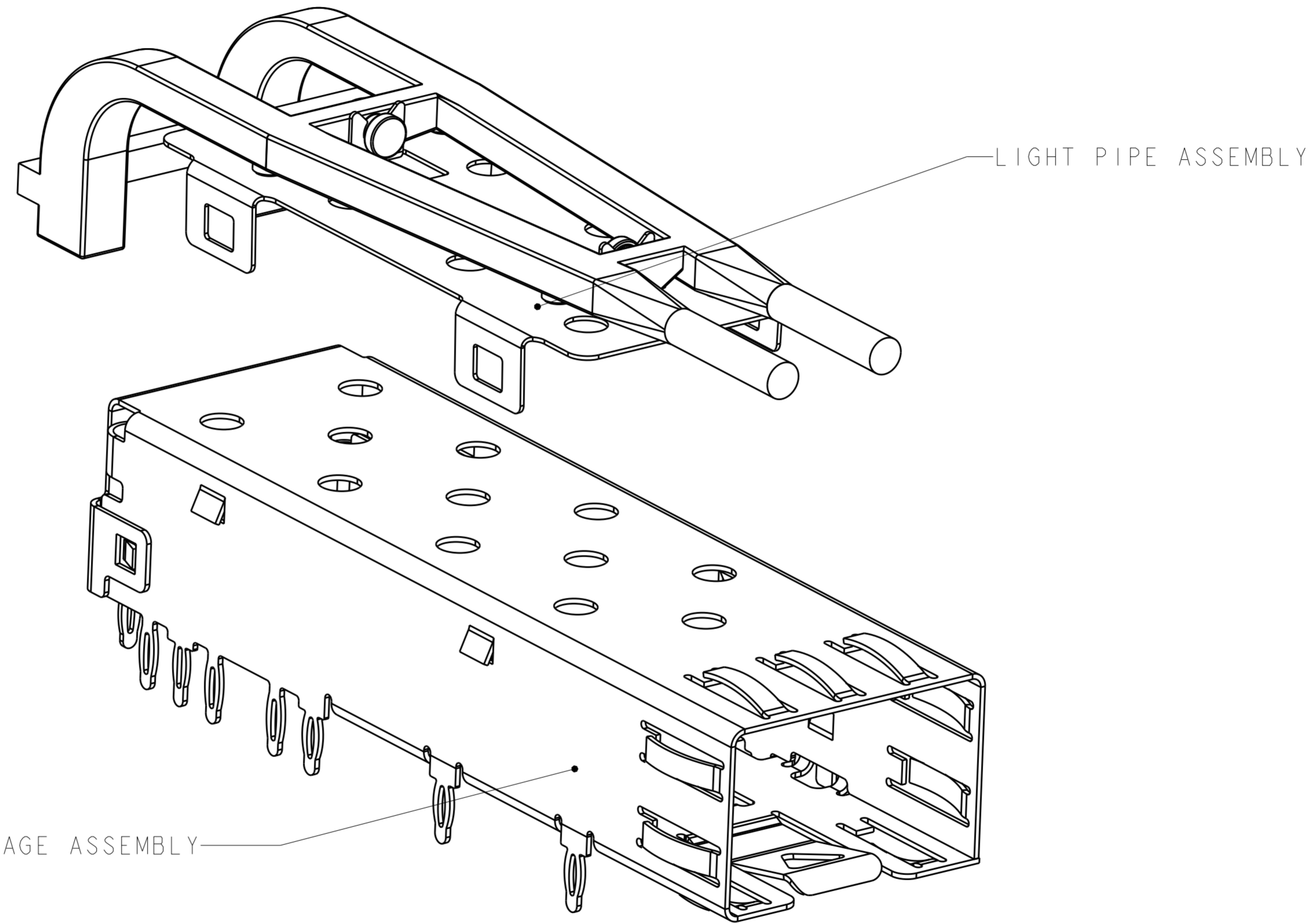
CAGE ASSEMBLY

2170614-1
 PART NUMBER


THIS DRAWING IS A CONTROLLED DOCUMENT.		DWN J. WANG 20DEC2013	TE Connectivity	
		CHK S. HAN 20DEC2013		
		APVD S. HAN 20DEC2013	NAME CAGE ASSEMBLY, 20 PRESS FIT, SFP	
DIMENSIONS: mm		PRODUCT SPEC 108-1950		SIZE A200779
TOLERANCES UNLESS OTHERWISE SPECIFIED:		APPLICATION SPEC 114-13120		CAGE CODE C-2170614
MATERIAL ① -		WEIGHT -		RESTRICTED TO -
FINISH ② -		Customer Drawing		SCALE 3:1 SHEET 1 OF 4 REV A

THIS DRAWING IS UNPUBLISHED. RELEASED FOR PUBLICATION 20
 © COPYRIGHT 20 ALL RIGHTS RESERVED.

LOC	DIST	REVISIONS					
GP	00	P	LTR	DESCRIPTION	DATE	DWN	APVD
		-		SEE SHEET 1	-	-	-

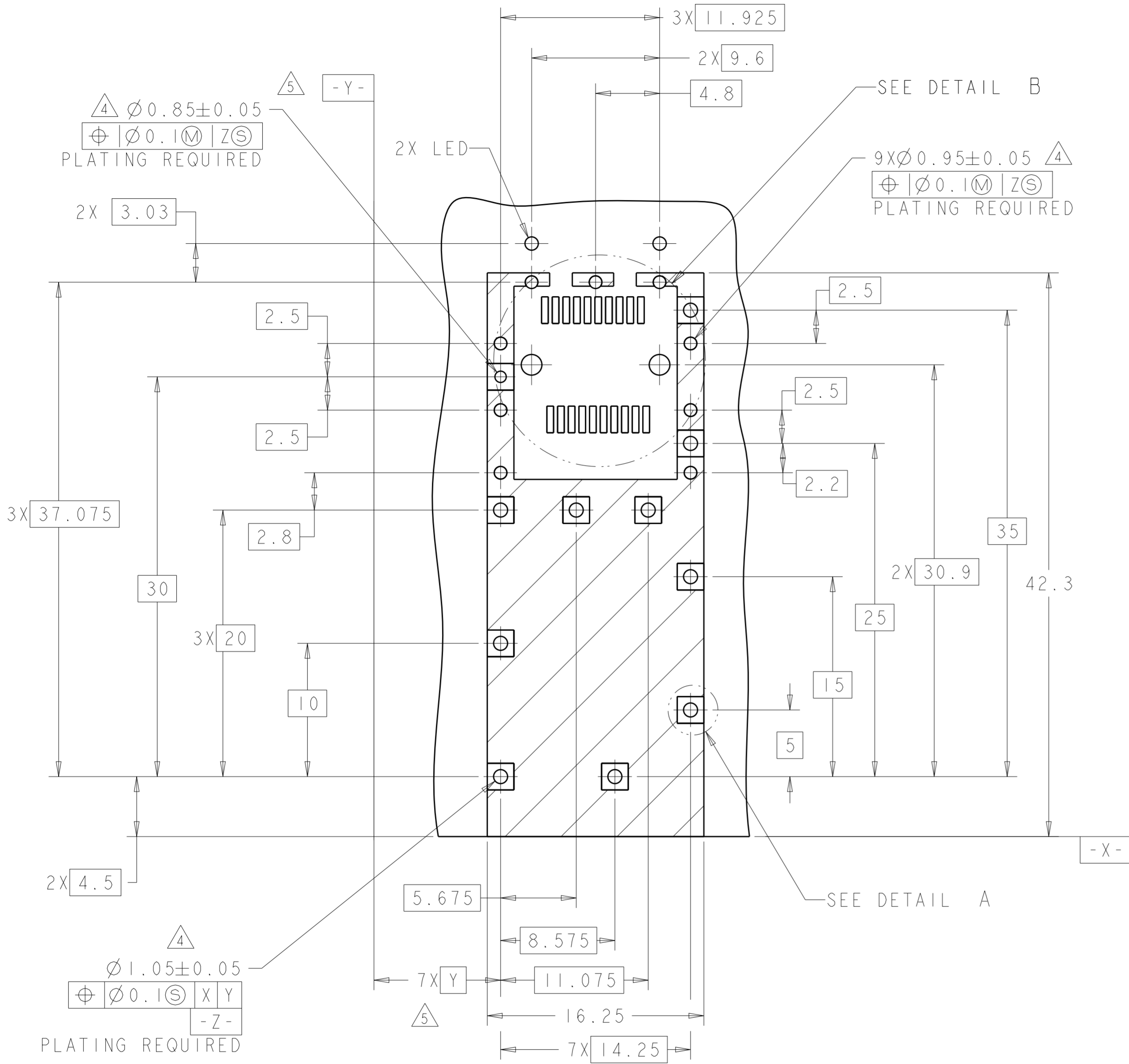


EXPLODED VIEW
SCALE 5:1

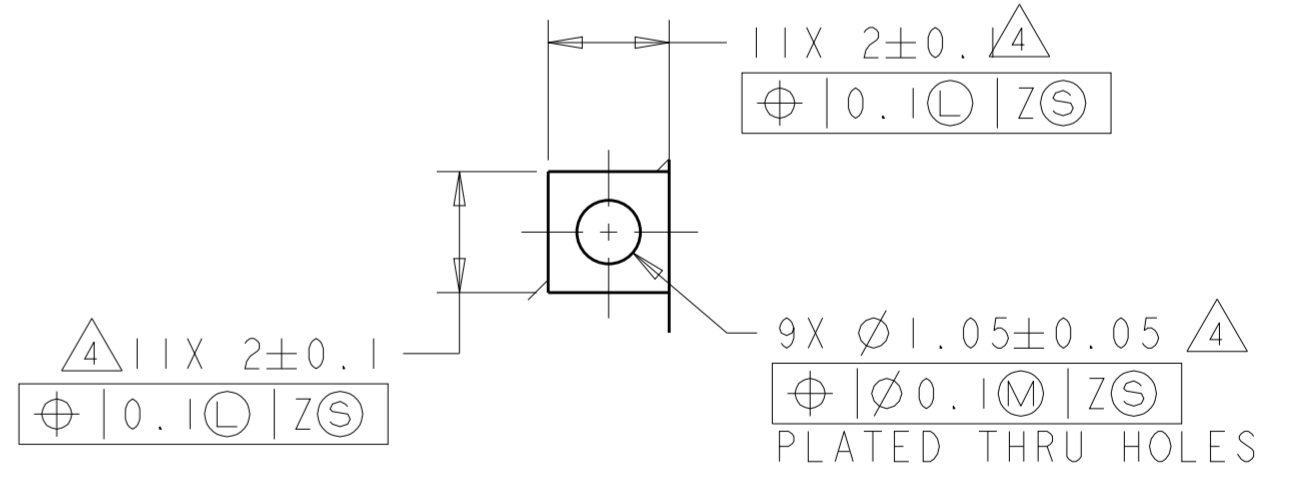
THIS DRAWING IS A CONTROLLED DOCUMENT.		DWN	J. WANG	20DEC2013	 TE Connectivity
DIMENSIONS:		CHK	S. HAN	20DEC2013	
mm	TOLERANCES UNLESS OTHERWISE SPECIFIED:	APVD	S. HAN	20DEC2013	
	0 PLC ±0.1 1 PLC ±0.1 2 PLC ±0.1 3 PLC ±0.05 4 PLC ±0.05 ANGLES ± FINISH	PRODUCT SPEC	108-1950	NAME	
MATERIAL	-	APPLICATION SPEC	114-13120	SIZE	A200779
		WEIGHT	-	DRAWING NO	C-2170614
		Customer Drawing		RESTRICTED TO	-
		SCALE	3:1	SHEET	2 OF 4
				REV	A

THIS DRAWING IS UNPUBLISHED. RELEASED FOR PUBLICATION 20
 © COPYRIGHT 20 ALL RIGHTS RESERVED.

LOC	DIST	REVISIONS					
GP	00	P	LTR	DESCRIPTION	DATE	DWN	APVD
		-		SEE SHEET 1			



DESIGN APPROVED THIS PRINT IS
PRELIMINARY
 TO FIRST PIECE APPROVAL
 CONTACT PRODUCT ENGINEERING
 BEFORE USING THIS PRINT



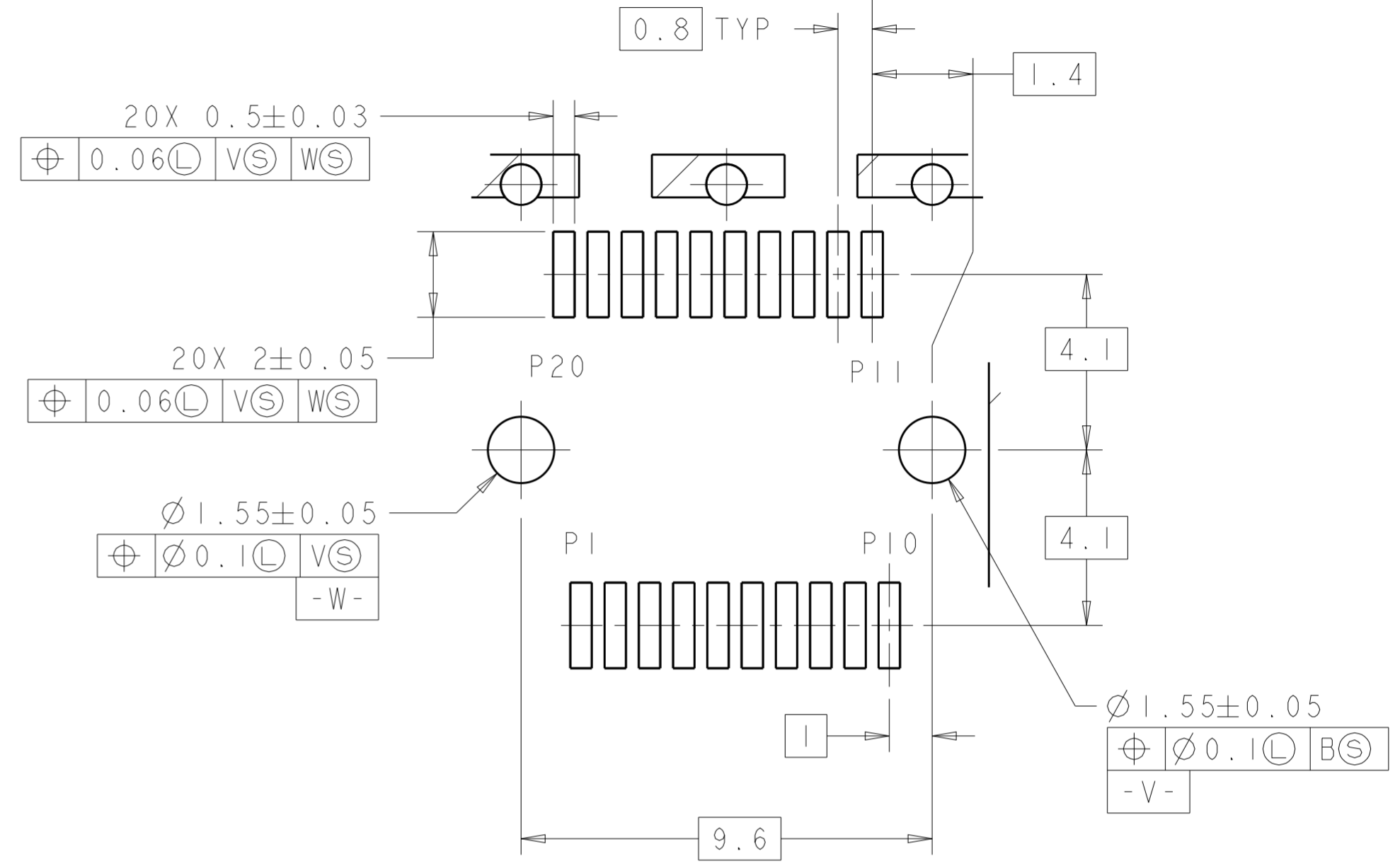
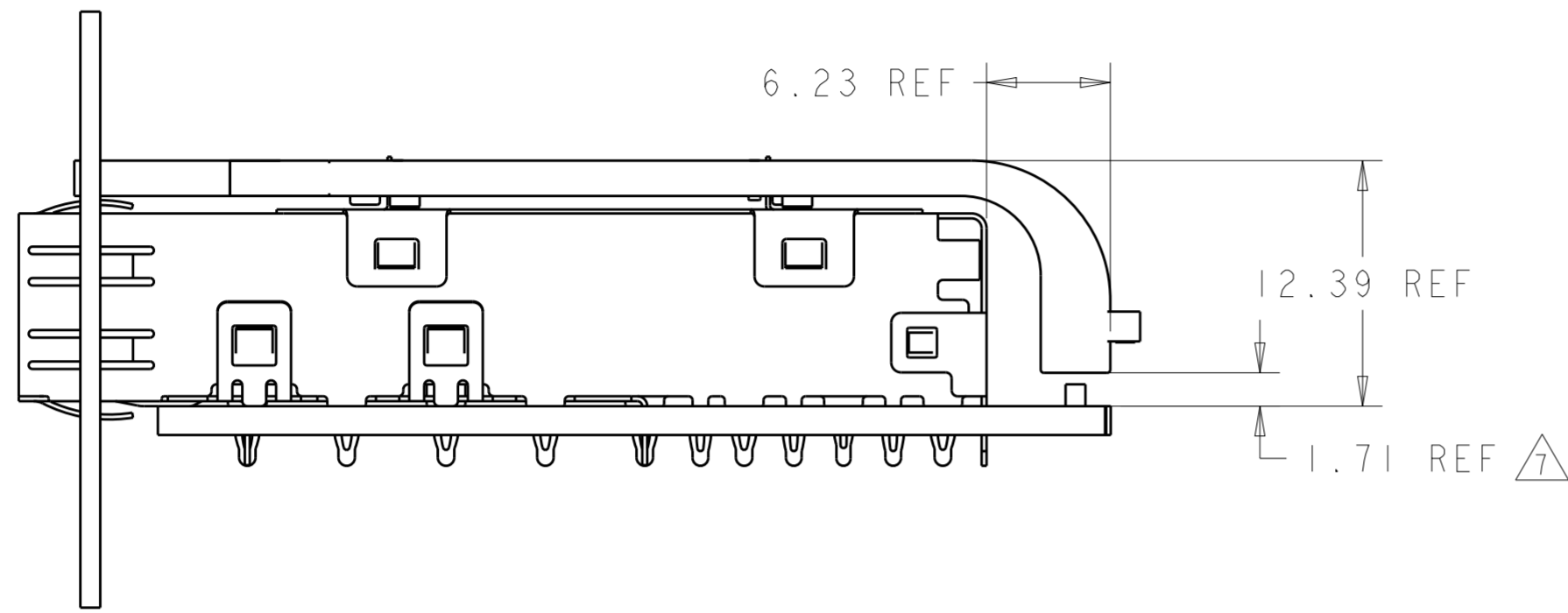
DETAIL A
 SCALE 8:1

RECOMMENDED PC BOARD LAYOUT
 SCALE 4:1

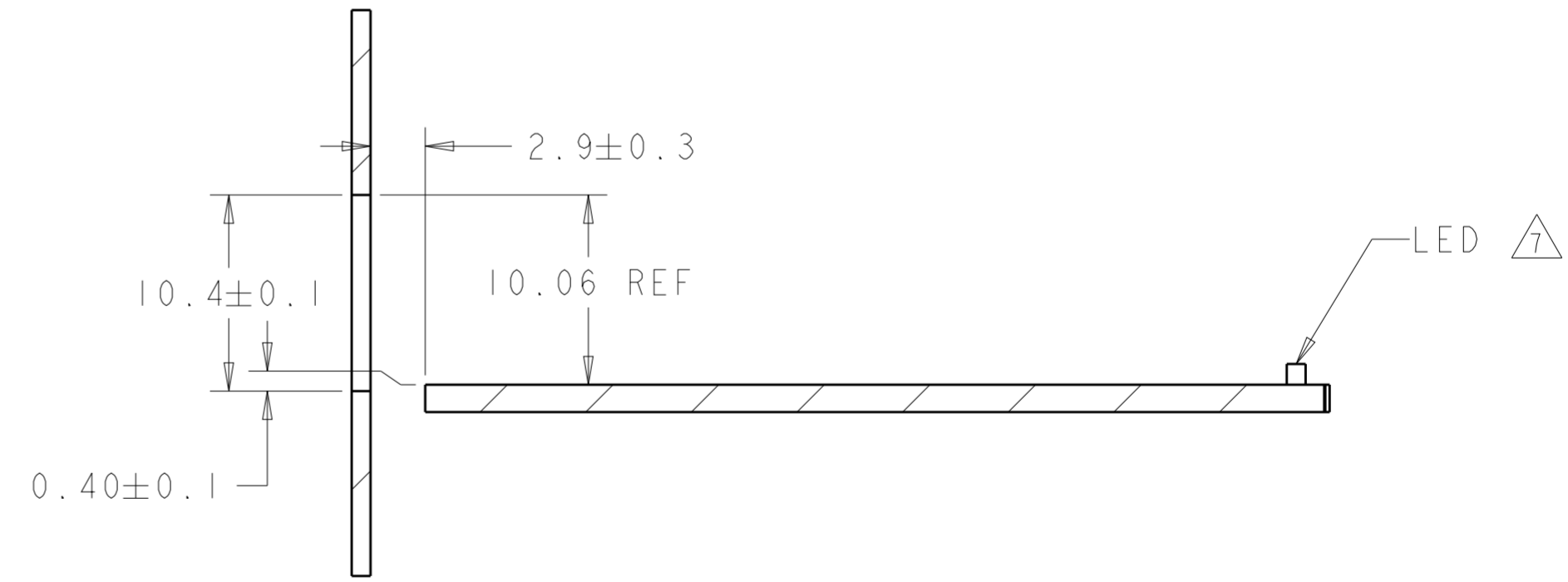
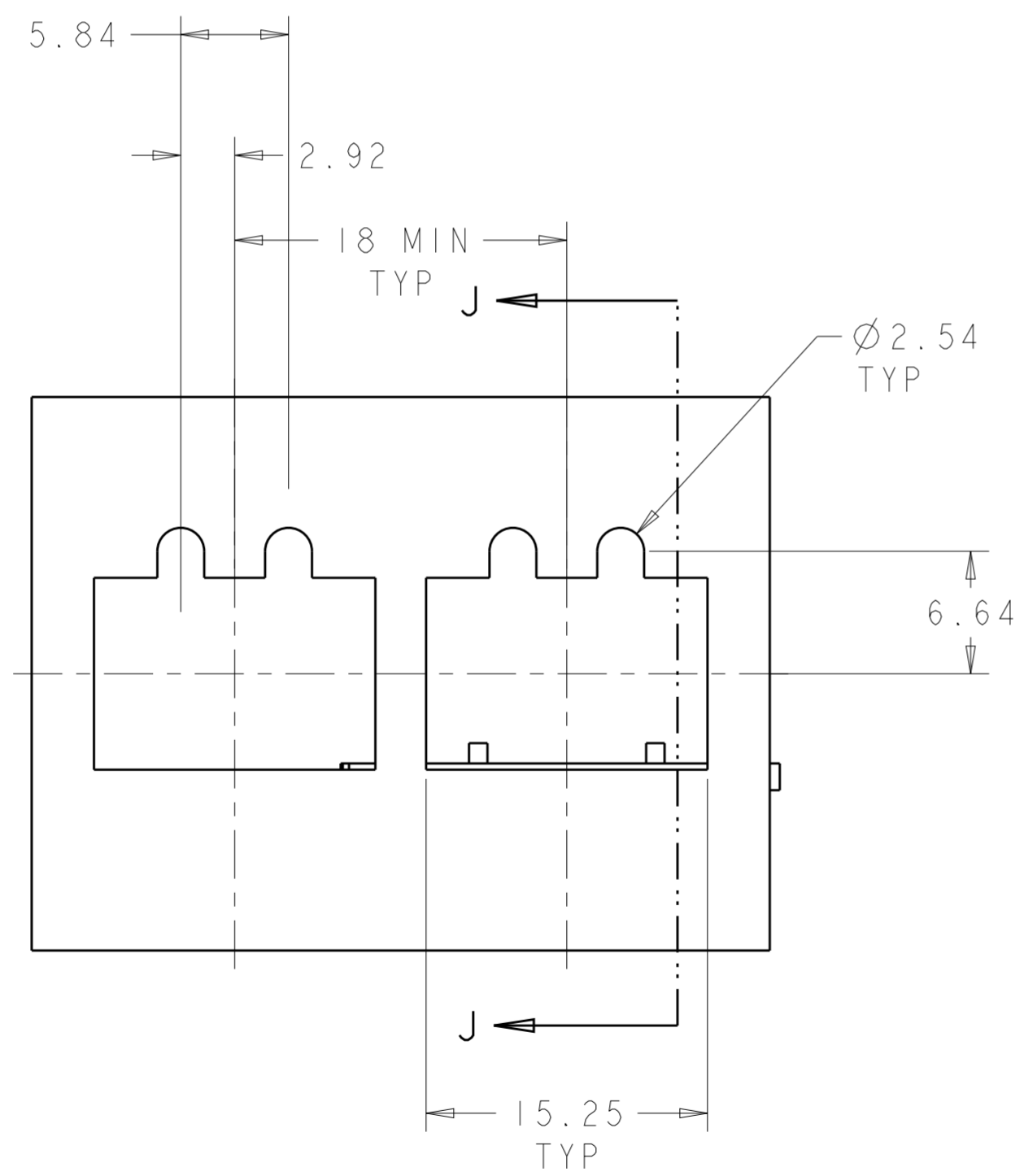
THIS DRAWING IS A CONTROLLED DOCUMENT.		DWN J. WANG 20DEC2013	TE Connectivity	
DIMENSIONS: mm		CHK S. HAN 20DEC2013		
TOLERANCES UNLESS OTHERWISE SPECIFIED:		APVD S. HAN 20DEC2013	NAME CAGE ASSEMBLY, 20 PRESS FIT, SFP	
0 PLC ±0.1		PRODUCT SPEC 108-1950	SIZE A200779	
1 PLC ±0.1		APPLICATION SPEC 114-13120	DRAWING NO C-2170614	
2 PLC ±0.1		WEIGHT -	RESTRICTED TO -	
3 PLC ±0.05		SCALE 3:1 SHEET 3 OF 4 REV A		
4 PLC ±0.05		Customer Drawing		
ANGLES ±				
FINISH				

THIS DRAWING IS UNPUBLISHED. RELEASED FOR PUBLICATION 20
 © COPYRIGHT 20 ALL RIGHTS RESERVED.

LOC	DIST	REVISIONS			
P	LTR	DESCRIPTION	DATE	DWN	APVD
GP	00	SEE SHEET 1	-	-	-



DETAIL B
SCALE 8:1



SECTION J-J

THIS DRAWING IS A CONTROLLED DOCUMENT.		DWN J. WANG 20DEC2013	TE Connectivity	
DIMENSIONS: mm		CHK S. HAN 20DEC2013		
TOLERANCES UNLESS OTHERWISE SPECIFIED:		APVD S. HAN 20DEC2013	NAME CAGE ASSEMBLY, 20 PRESS FIT, SFP	
0 PLC ±0.1		PRODUCT SPEC	SIZE CAGE CODE DRAWING NO RESTRICTED TO	
1 PLC ±0.1		108-1950	A200779 C-2170614 -	
2 PLC ±0.1		APPLICATION SPEC	SCALE 3:1 SHEET 4 OF 4 REV A	
3 PLC ±0.05		114-13120		
4 PLC ±0.05		WEIGHT -		
ANGLES ±		Customer Drawing		
FINISH				

X-ON Electronics

Largest Supplier of Electrical and Electronic Components

Click to view similar products for [I/O Connectors](#) category:

Click to view products by [TE Connectivity](#) manufacturer:

Other Similar products are found below :

[571763P](#) [72.250.1628.2](#) [72.250.2428.2](#) [74720-0505](#) [76.350.0729.0](#) [76871-1403](#) [FCN-244F080-G/1](#) [FCN-260A9920](#) [MP-5T180MUNNA-005](#)
[PCR-E36PM](#) [PCS-XE26MA+](#) [G38A71314B](#) [1571250010](#) [157-22500-3](#) [MS3471L14-19P L/C](#) [91-569786-35H](#) [172501-4002](#) [172501-6002](#)
[FCN-260C008-A/L0](#) [FCN-260C024-AL0](#) [FCN-261Z008](#) [2000314-1](#) [200331-1](#) [PCR-E36FC+](#) [PCS-E28FS+](#) [PCS-XE26SLFD+](#) [PCS-](#)
[XE26SLFDT+](#) [G730VID08BDC24](#) [U90B2054081210](#) [UE86K842720321](#) [38113800006](#) [DP3AR020WQ1R200](#) [Z4.102.0680.0](#) [500-1040](#)
[500-1052](#) [500-1054](#) [ZP-4008-66L](#) [0709821002](#) [10-565995-597N](#) [DX40-20P\(55\)](#) [5554841-1](#) [U90B3054061110](#) [U65-E04-4020](#)
[ZPF00000000097891](#) [557-262M2-06C](#) [747360449](#) [10099439-003C-TRLF](#) [10137239-0021LF](#) [E9320-001-01](#) [10137239-0011LF](#)