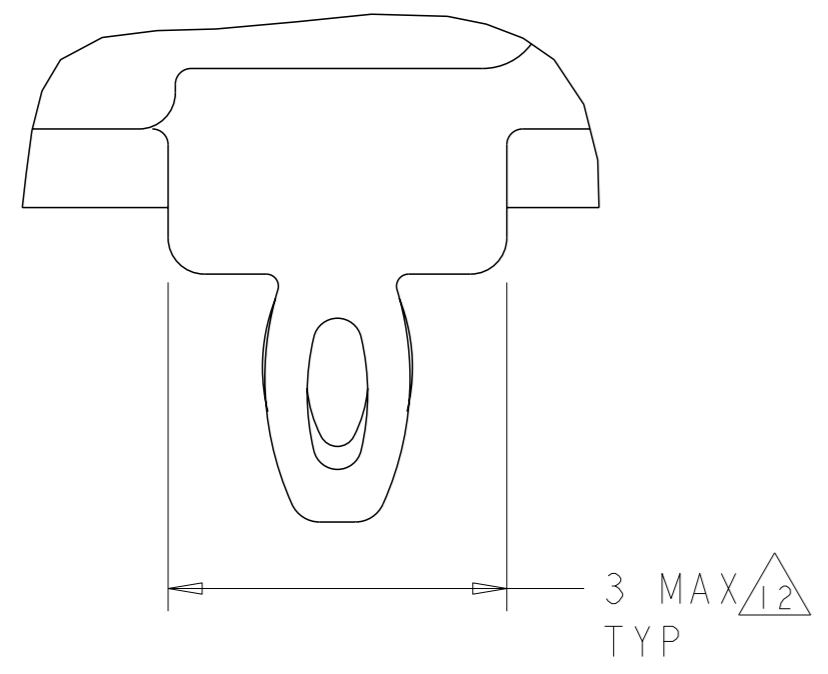


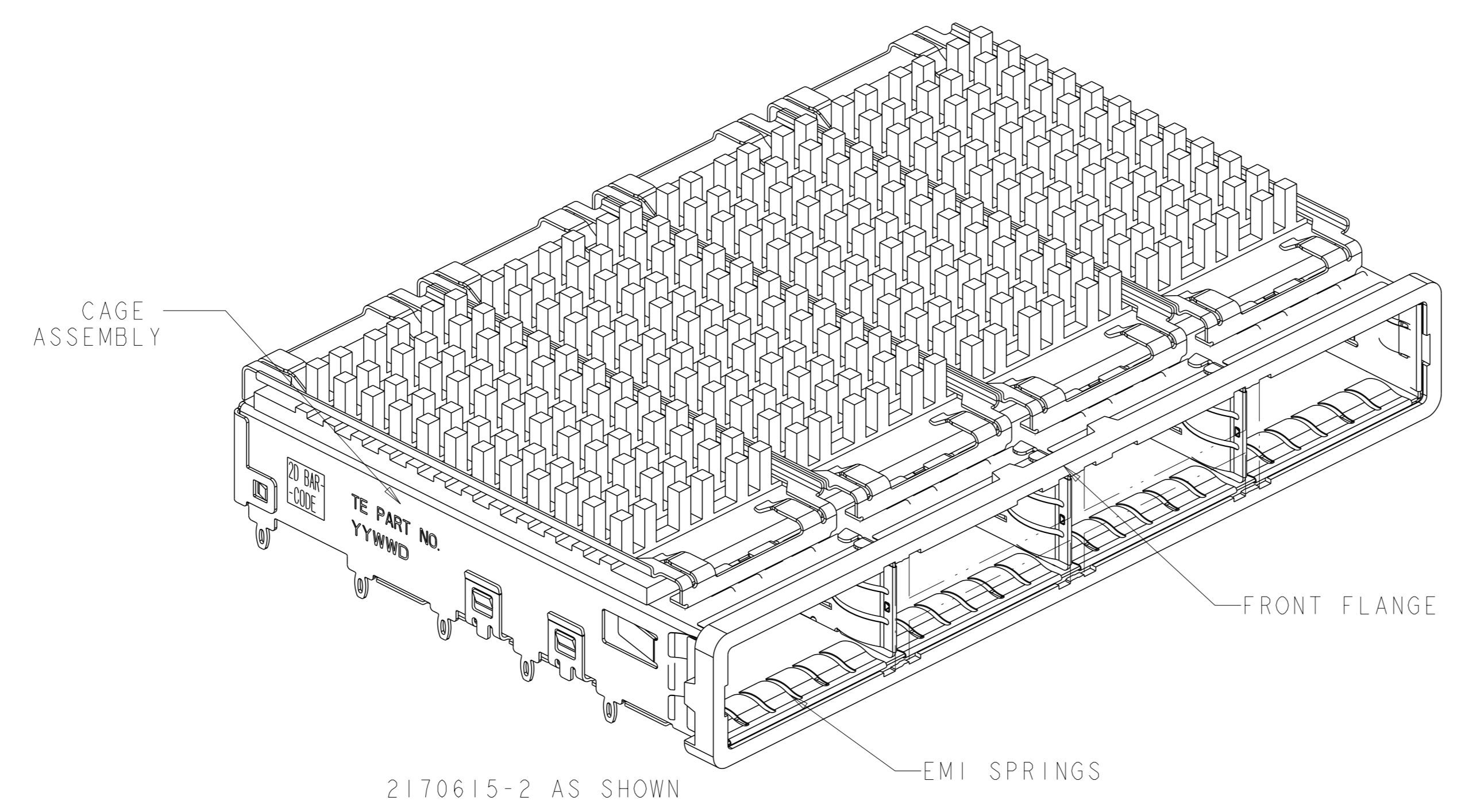
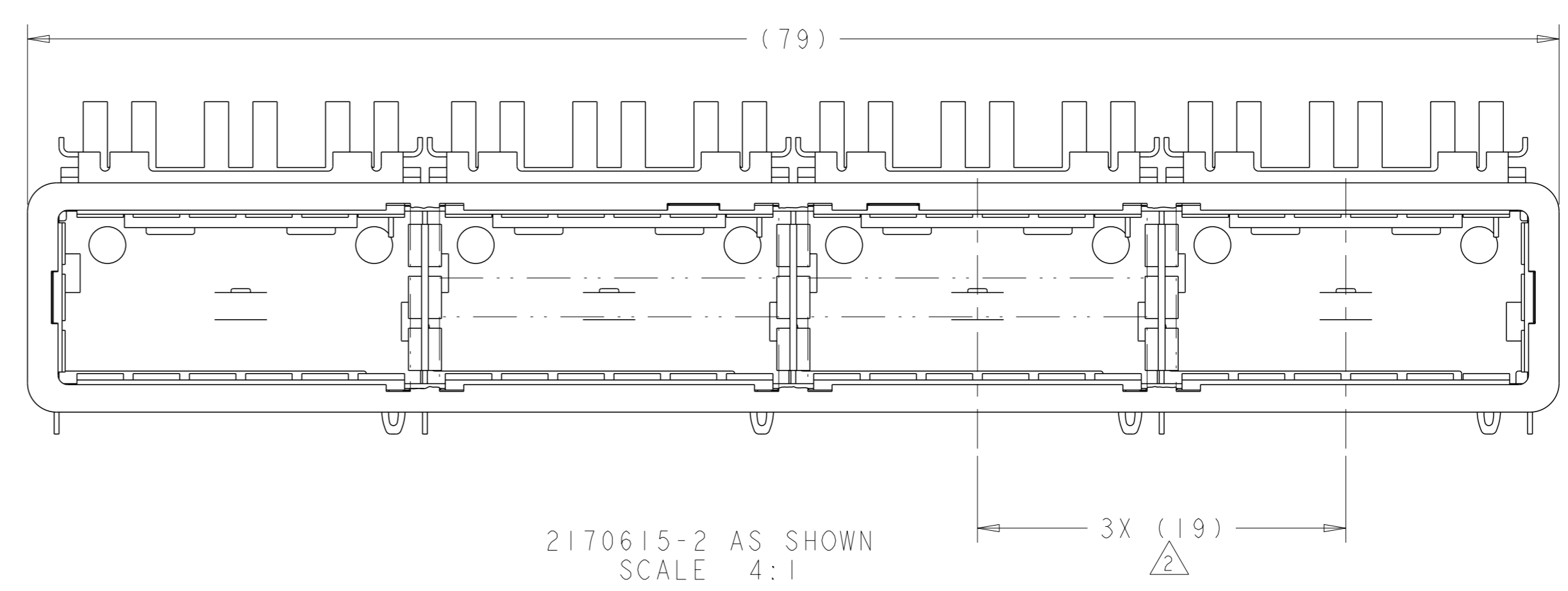
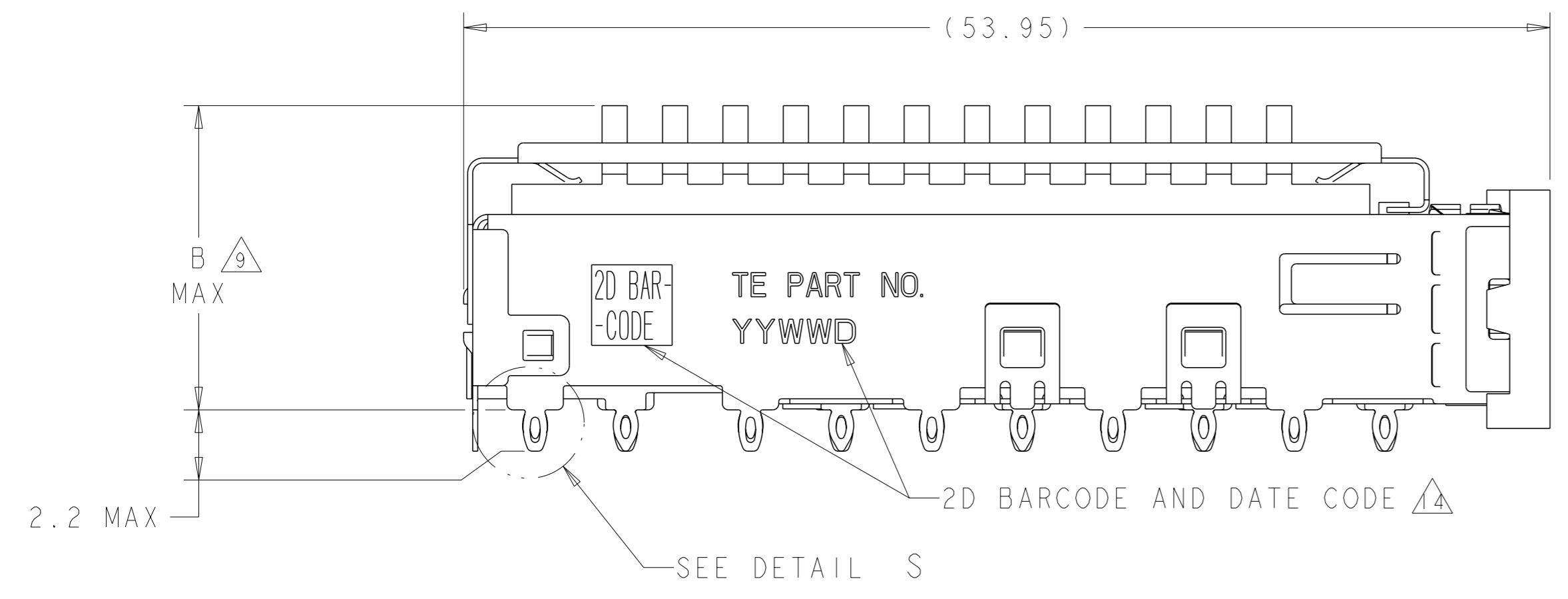
LOC	DIST	REVISIONS					
GP	00	#	LY#	DESCRIPTION	DATE	OWN	APVD
		1		PRELIMINARY	24SEP2013	ZJ	JY
		A		ACTIVE THE DRAWING	31DEC2013	ZJ	JY
		B		REVISED PER ECO-15-005721	4AUG2015	RG	SH
		D		REVISED PER ECO-19-004279	20MAR2019	TX	SH



DETAIL S
SCALE 16:1

- 1. CAGE ASSEMBLY MATERIAL: NICKEL SILVER, 0.25 THICK
- HEAT SINK MATERIAL: ALUMINUM
- HEAT SINK CLIP MATERIAL: STAINLESS STEEL
- EMI SPRING MATERIAL: COPPER ALLOY
- FRONT FLANGE MATERIAL: ZINC ALLOY
- 2. PITCH BETWEEN PORTS OF ONE 1X4 CAGE ASSEMBLY.
- 3. SPACING BETWEEN CAGES ON THE SAME PC BOARD, TO BE SPECIFIED BY CUSTOMER, MUST COMPLY WITH MINIMUM DIMENSIONS SHOWN.
- 4. REFERENCE APPLICATION SPEC 114-13218 FOR RECOMMENDED DRILL HOLE DIAMETER AND PLATING THICKNESS.
- 5. DATUMS AND BASIC DIMENSIONS ESTABLISHED BY CUSTOMER.
- 6. DIMENSION C IS THE NOMINAL THICKNESS OF CUSTOMER SUPPLIED PC BOARD, SINGLE SIDED PC BOARD MINIMUM THICKNESS = 1.45mm, DOUBLE SIDED PC BOARD MINIMUM THICKNESS = 2.2mm PER QSFP.
- 7. HEAT SINKS AND CLIPS SHIPPED ASSEMBLED TO CAGE ASSEMBLY. CAGE ASSEMBLY MAY BE PRESSED INTO THE PCB AS SHIPPED.
- 8. DATUM -A- IS TOP SURFACE OF PC BOARD.
- 9. DIMENSION APPLIES WITH MODULE INSERTED IN CAGE.
- 10. UNPLATED THRU HOLE.

- 11. MATES WITH QSFP MSA COMPATIBLE TRANSCEIVER.
- 12. SURFACE TRACES PERMITTED WITHIN THIS AREA EXCEPT WHERE CAGE STANDOFFS, SHOWN IN DETAIL A AND S, CONTACT PC BOARD.
- 13. BASELINE FOR THESE DIMENSIONS IS THE CENTER OF COMPLIANT PIN HOLE.
- 14. 2D BARCODE AND DATE CODE (YYWW) MARKED ON SIDE OF CAGE.
- 15. REFERENCE APP SPEC 114-13218 FOR GASKET THICKNESS CALCULATION.
- 16. EMI SPRING FINISH: 2µm MINIMUM TIN
FRONT FLANGE FINISH: 3µm MINIMUM TIN OVER 1.27µm MINIMUM NICKEL OVER 5.08µm MINIMUM COPPER.
HEAT SINK FINISH: NICKEL.



23.0	NETWORKING	2170615-4
16.0	SAN	2170615-2
13.7	PCI	2170615-1
B	HEAT SINK PROFILE	PART NUMBER

THIS DRAWING IS A CONTROLLED DOCUMENT. OWN: ZJ, CHK: JY, APVD: MC, DATE: 24SEP2013

DIMENSIONS: mm. TOLERANCES UNLESS OTHERWISE SPECIFIED: 0 PLC ±, 1 PLC ±0.1, 2 PLC ±0.1, 3 PLC ±, 4 PLC ±, ANGLES FINISH ±.

MATERIAL: 1. FINISH: 16.

Customer Drawing

SCALE 1:1 SHEET 1 OF 6 REV D

TE Connectivity

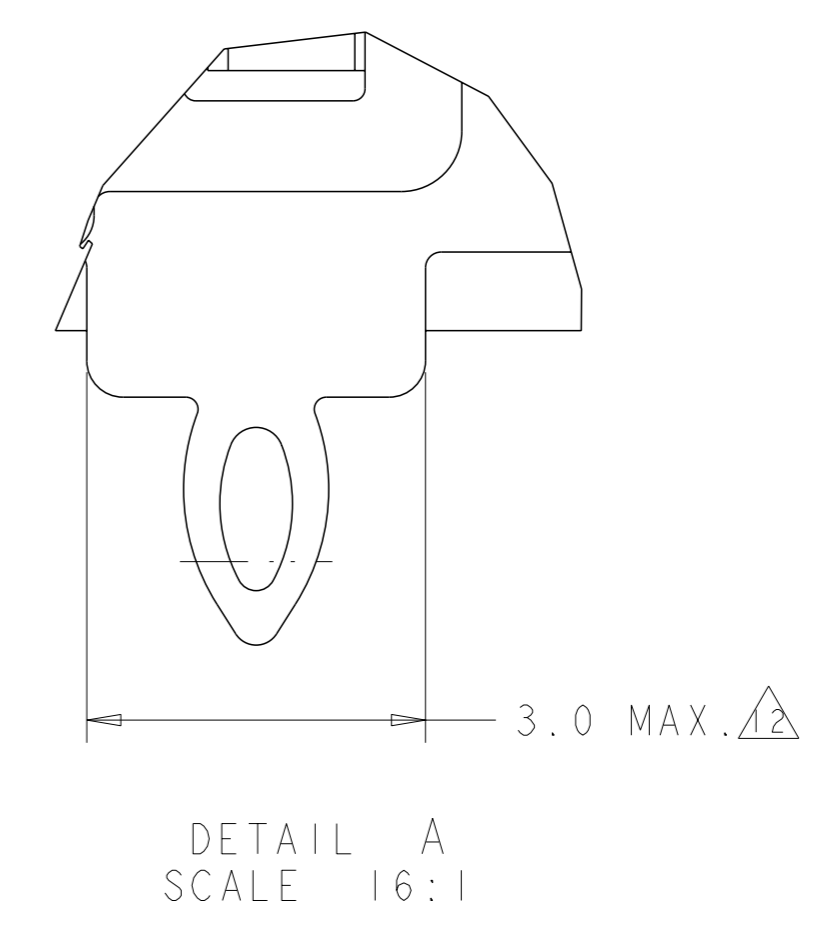
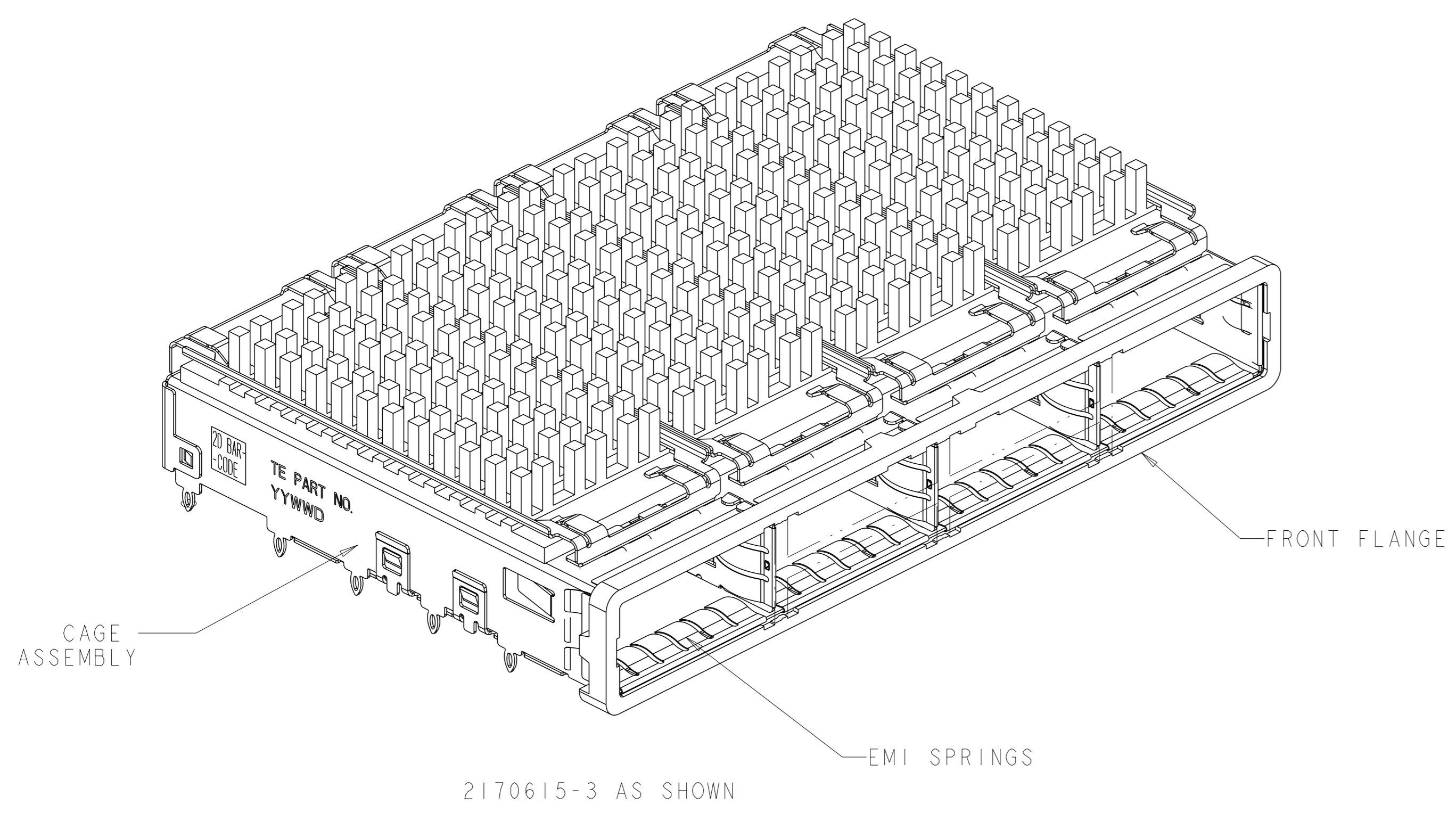
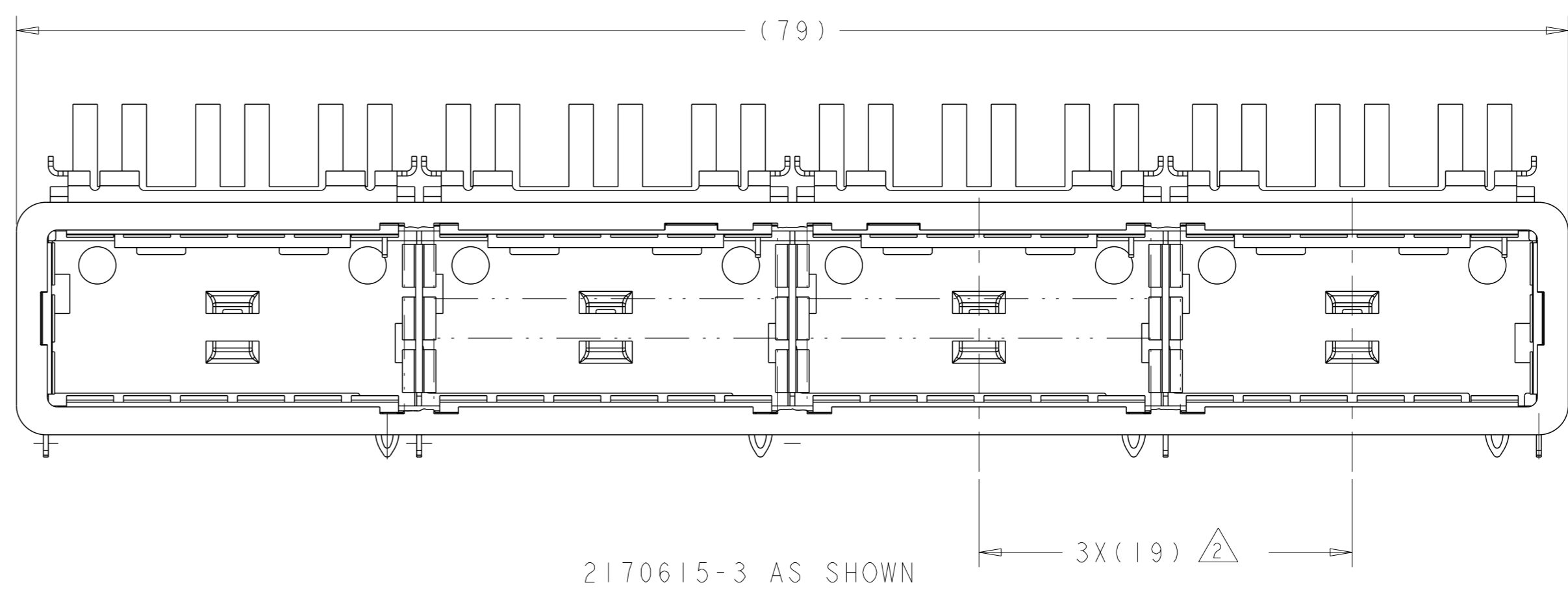
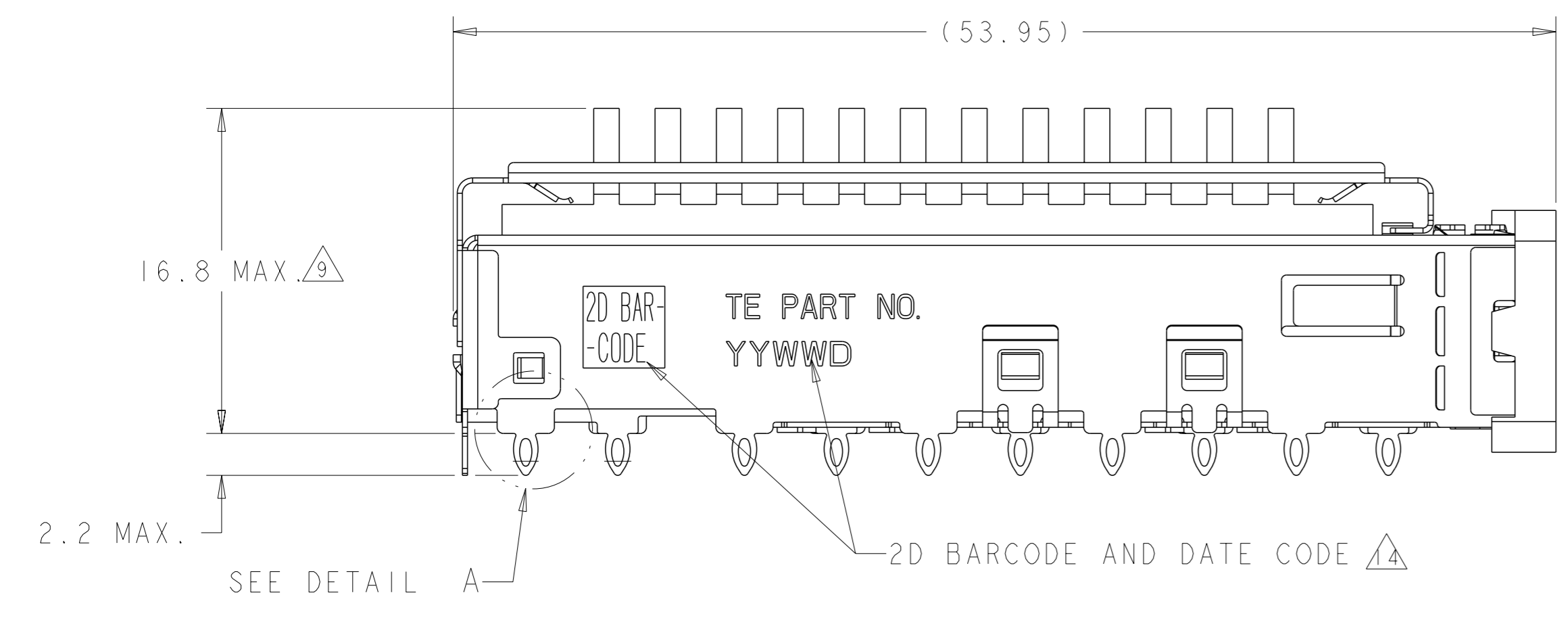
NAME: 1X4 CAGE ASSEMBLY, BEHIND BEZEL, W/ HEAT SINKS, QSFP

PRODUCT SPEC: 108-2286

APPLICATION SPEC: 114-13218

SIZE: A1 CAGE CODE: 00779 DRAWING NO: 2170615

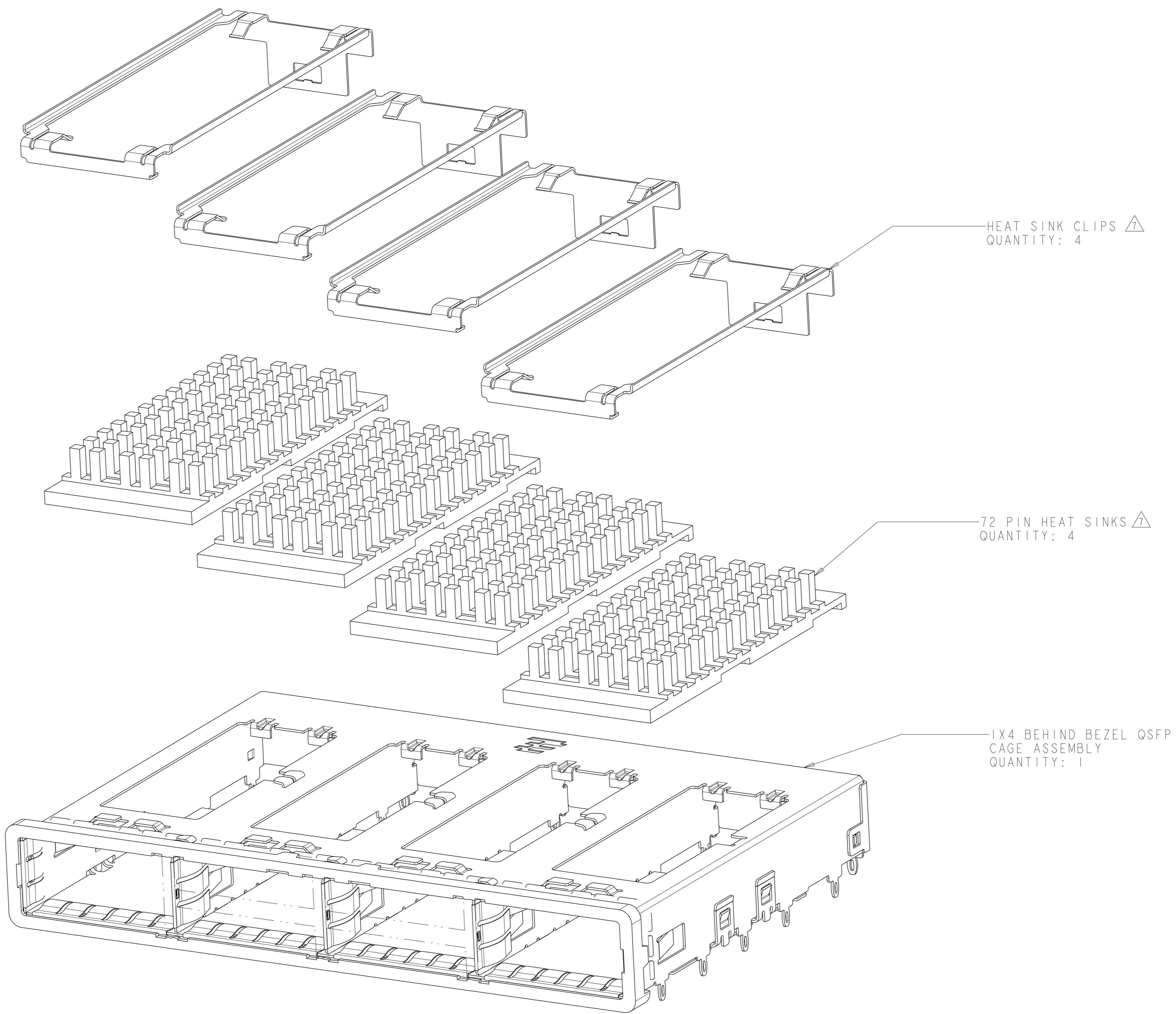
LOC	DIST	REVISIONS					
GP	00	P	LYR	DESCRIPTION	DATE	OWN	APVD
		-		SEE SHEET 1	-	-	-



CUSTOMIZED	2170615-3
HEAT SINK PROFILE	PART NUMBER

THIS DRAWING IS A CONTROLLED DOCUMENT.		OWN: ZJ	24SEP2013		NAME: 1X4 CAGE ASSEMBLY, BEHIND BEZEL, W/ HEAT SINKS, QSFP PRODUCT SPEC: 108-2286 APPLICATION SPEC: 114-13218		
DIMENSIONS:		CHK: JY	24SEP2013				
TOLERANCES UNLESS OTHERWISE SPECIFIED:		APVD: MC	24SEP2013				
mm							
	0 PLC ±			SIZE: A1	CAGE CODE: 00779	DRAWING NO: 2170615	RESTRICTED TO:
	1 PLC ±0.1			SCALE: 1:1	SHEET: 2	OF: 6	REV: D
	2 PLC ±0.1			Customer Drawing			
	3 PLC ±						
	4 PLC ±						
	ANGLES ±						
	FINISH ±						
MATERIAL:							

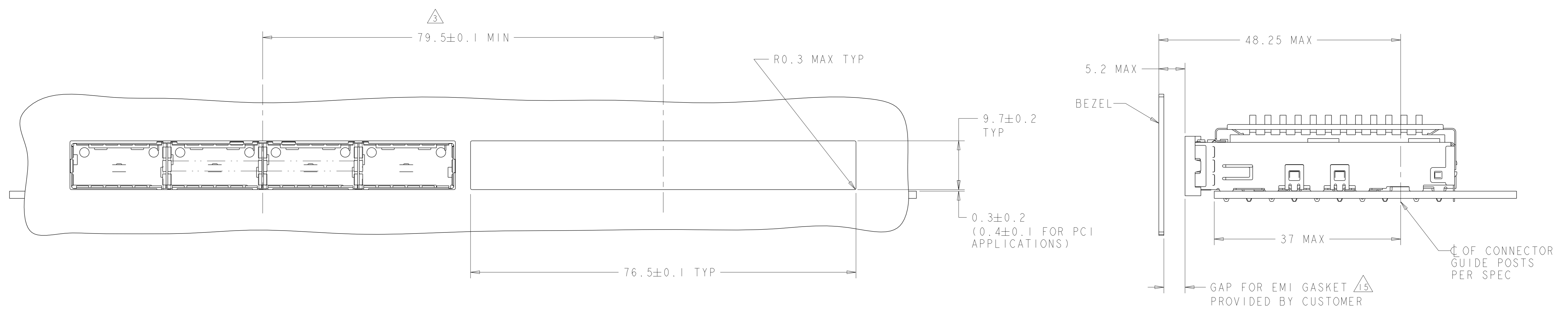
LOC		DIST		REVISIONS			
GP	00	P	LYR	DESCRIPTION	DATE	OWN	APVD
		-		SEE SHEET 1	-	-	-



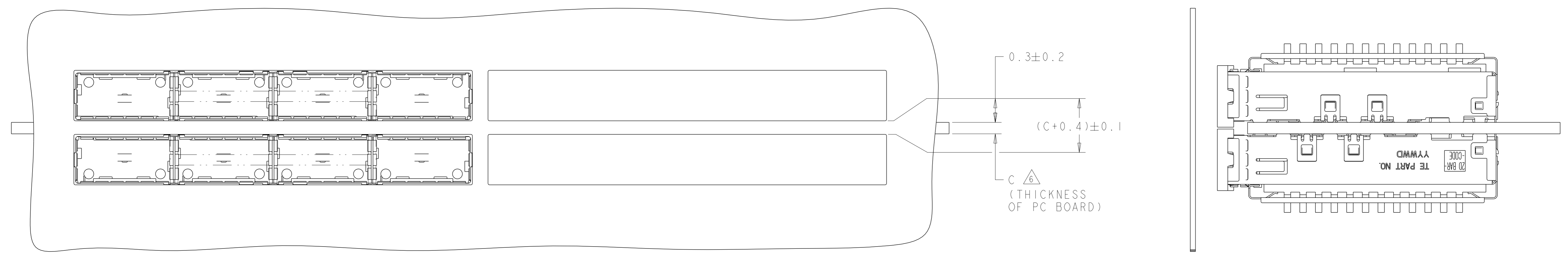
2170615-2 AS SHOWN

THIS DRAWING IS A CONTROLLED DOCUMENT.		OWN	Z4SEP2013	
		CHK	Z4SEP2013	
		APVD	JY	
		MC	Z4SEP2013	
DIMENSIONS:		TOLERANCES UNLESS OTHERWISE SPECIFIED:		
mm	0 PLC	±		PRODUCT SPEC
	1 PLC	±0.1		108-2286
	2 PLC	±0.1		APPLICATION SPEC
	3 PLC	±		114-13218
	4 PLC	±		
	ANGLES	±		
	FINISH	±		
MATERIAL				RESTRICTED TO
				A100779C=2170615
		WEIGHT		SCALE 1:1 SHEET 3 OF 6 REV D
				Customer Drawing

LOC	DIST	REVISIONS			
GP	00	REV	DATE	OWN	APVD
-	SEE SHEET 1	-	-	-	-



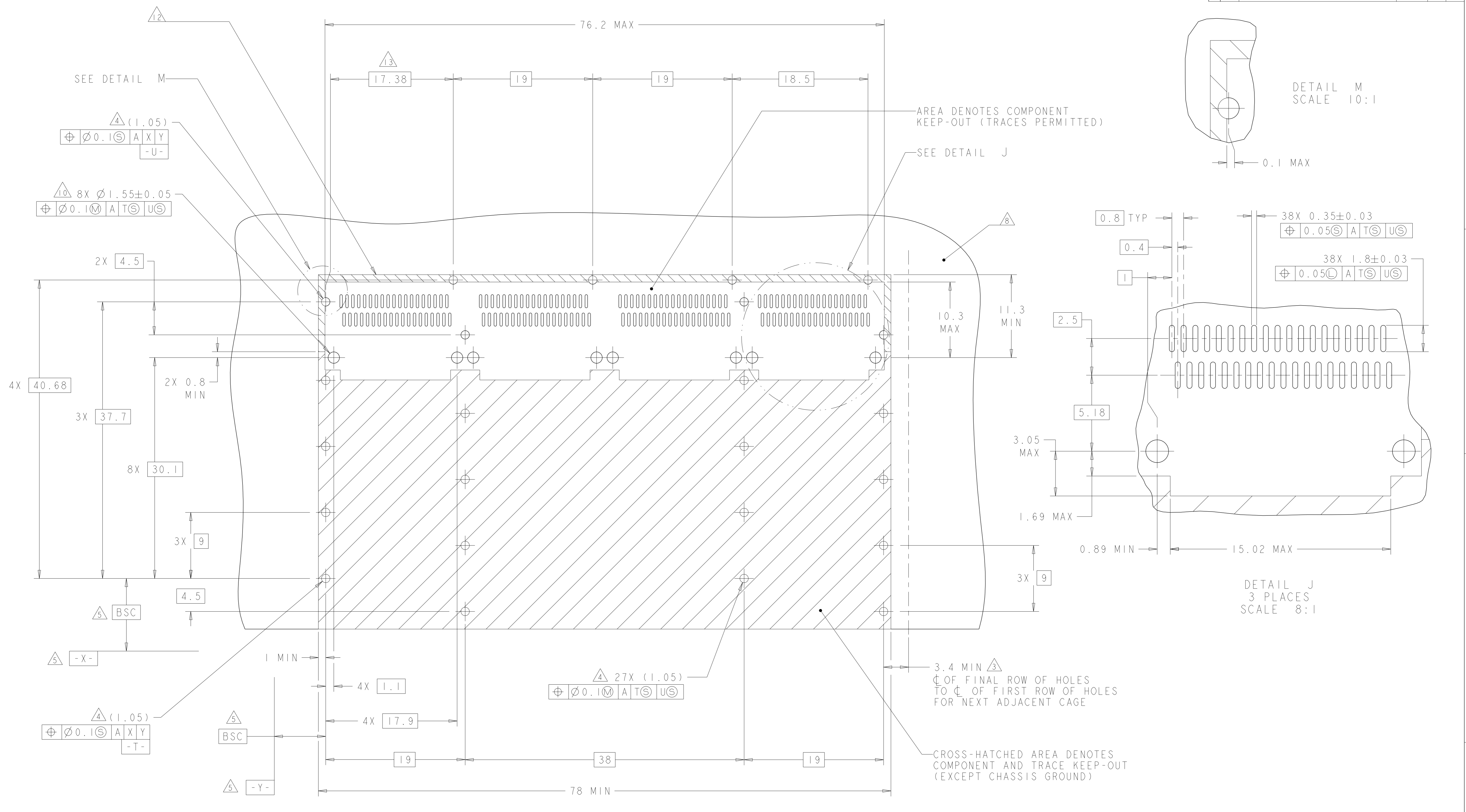
ONE SIDED CONFIGURATION
 SCALE 5:2



BELLY TO BELLY CONFIGURATION SIMILAR
 TO ONE SIDED EXCEPT WHERE NOTED
 SCALE 5:2

THIS DRAWING IS A CONTROLLED DOCUMENT.		OWN: ZJ	24SEP2013	TE TE Connectivity
DIMENSIONS: mm		CHK: JY	24SEP2013	
TOLERANCES UNLESS OTHERWISE SPECIFIED:		APVD: MC	24SEP2013	NAME: 1X4 CAGE ASSEMBLY, BEHIND BEZEL, W/ HEAT SINKS, QSFP
0 PLC	±	PRODUCT SPEC	108-2286	SIZE: -
1 PLC	±0.1	APPLICATION SPEC	114-13218	RESTRICTED TO: -
2 PLC	±0.1	WEIGHT	-	SCALE: 1:1
3 PLC	±	Customer Drawing	Customer Drawing	SHEET 4 OF 6
4 PLC	±			REV D
ANGLES	±			
FINISH	-			

LOC	DIST	REVISIONS			
GP	00	REV	DATE	OWN	APVD
		1	SEE SHEET 1	-	-

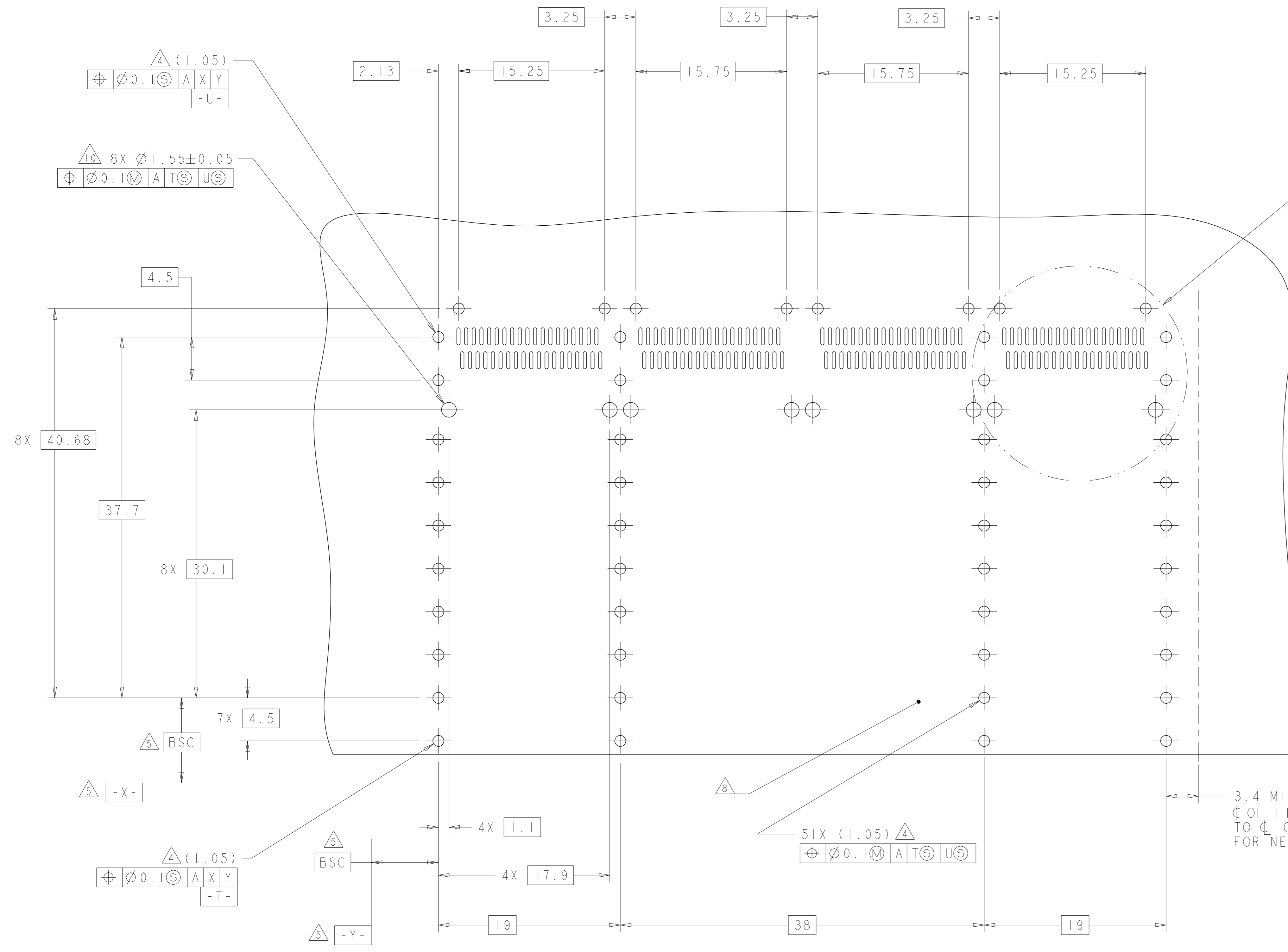


RECOMMENDED PC BOARD LAYOUT
 SINGLE SIDE MOUNT CONFIGURATION
 SCALE 4:1

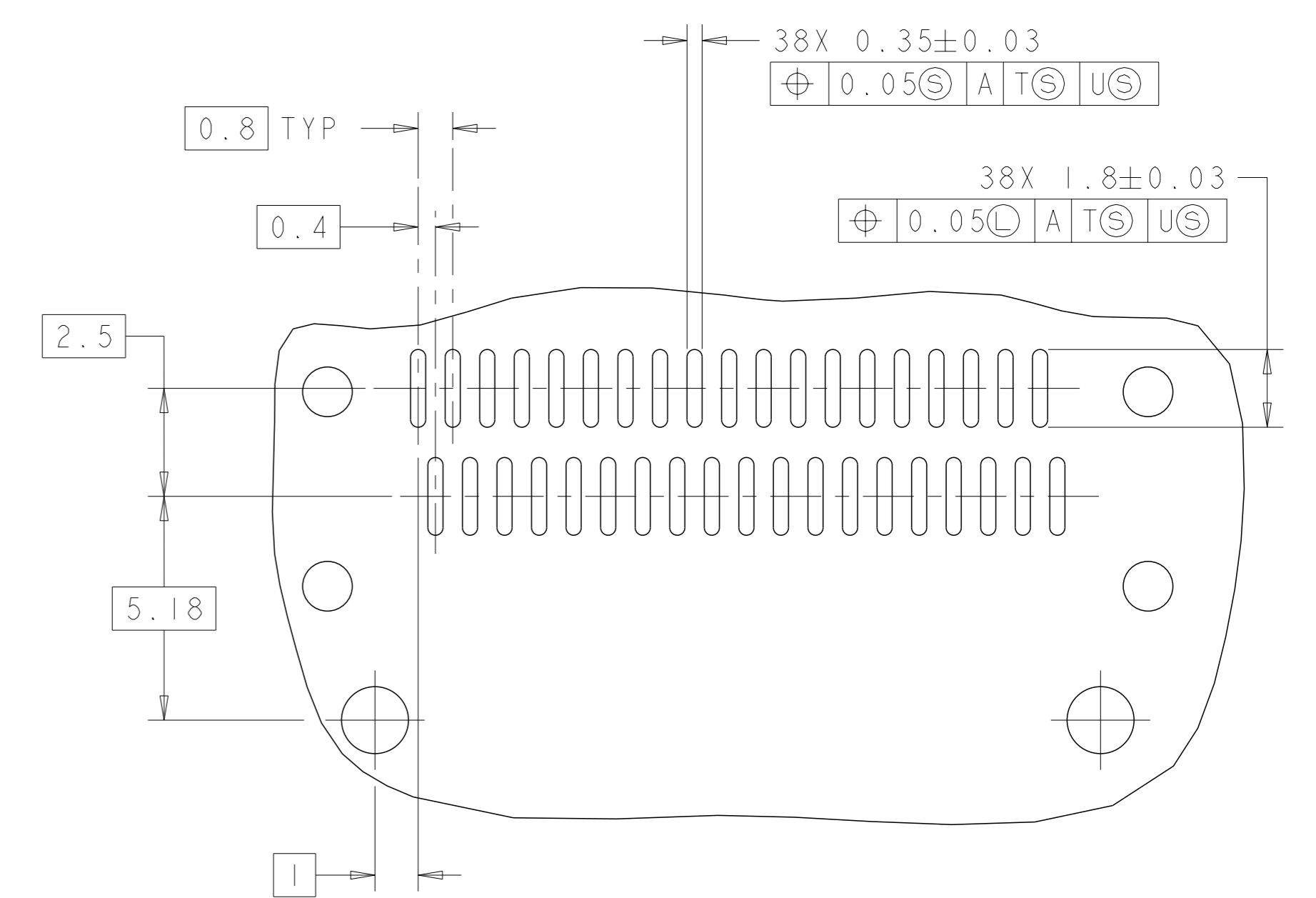
THIS PRODUCT HAS NOT COMPLETED VALIDATION/QUALIFICATION TESTING

THIS DRAWING IS A CONTROLLED DOCUMENT.		OWN: ZJ 24SEP2013	TE Connectivity
DIMENSIONS: mm		CHK: JY 24SEP2013	
TOLERANCES UNLESS OTHERWISE SPECIFIED:		APVD: MC 24SEP2013	NAME: 1X4 CAGE ASSEMBLY, BEHIND BEZEL, W/ HEAT SINKS, QSFP
0 PLC	\pm	PRODUCT SPEC	SIZE: 108-2286
1 PLC	± 0.1	APPLICATION SPEC	CAGE CODE: 114-13218
2 PLC	± 0.1	WEIGHT	RESTRICTED TO: A100779C=2170615
3 PLC	\pm		SCALE: 1:1 SHEET 5 OF 6 REV D
4 PLC	\pm		
ANGLES	\pm		
FINISH	\pm		
MATERIAL		Customer Drawing	

LOC	DIST	REVISIONS			
GP	00	REV	DATE	OWN	APVD
		-	SEE SHEET 1	-	-



SEE DETAIL K



DETAIL K
SCALE 8:1

3.4 MIN Δ
 C OF FINAL ROW OF HOLES
 TO C OF FIRST ROW OF HOLES
 FOR NEXT ADJACENT CAGE

RECOMMENDED PC BOARD LAYOUT
 BELLY TO BELLY CONFIGURATION
 SEE SHEET 4 FOR COMPONENT
 AND TRACE KEEP-OUTS
 SCALE 4:1

THIS PRODUCT HAS NOT COMPLETED VALIDATION/QUALIFICATION TESTING

THIS DRAWING IS A CONTROLLED DOCUMENT.		OWN: ZJ	24SEP2013	STE TE Connectivity
DIMENSIONS: mm		CHK: JY	24SEP2013	
TOLERANCES UNLESS OTHERWISE SPECIFIED:		APVD: MC	24SEP2013	
0 PLC ±0.1		NAME: 1X4 CAGE ASSEMBLY, BEHIND BEZEL, W/ HEAT SINKS, QSFP		
1 PLC ±0.1		PRODUCT SPEC: 108-2286		
2 PLC ±0.1		APPLICATION SPEC: 114-13218		
3 PLC ±0.1		SIZE: A1		
4 PLC ±0.1		CAGE CODE: 00779		
ANGLES FINISH: *		DRAWING NO: 2170615		
MATERIAL: -		WEIGHT: -		
		Customer Drawing		
		SCALE: 1:1		
		SHEET 6 OF 6		
		REV D		

X-ON Electronics

Largest Supplier of Electrical and Electronic Components

Click to view similar products for [I/O Connectors](#) category:

Click to view products by [TE Connectivity](#) manufacturer:

Other Similar products are found below :

[571763P](#) [58098-0628](#) [D20419-211](#) [D38999/20FJ24PA L/C](#) [D38999/20FJ29SB L/C](#) [D38999/24FG11SN L/C](#) [72.250.1628.2](#) [72.250.2428.2](#)
[74720-0505](#) [76.350.0729.0](#) [76871-1403](#) [FCN-244F080-G/1](#) [FCN-260A9920](#) [FCN-268D024-G/2F#10X-R10](#) [PCS-E50FA](#) [PCS-XE26LKA](#)
[PCS-XE26MA+](#) [PCS-XES68MS+](#) [G38A71314B](#) [DX40-50P\(55\)](#) [1571250010](#) [157-22500-3](#) [MS3471L14-19P L/C](#) [1888020-8](#) [91-569786-](#)
[35H](#) [91-569786-35M](#) [91-644626-35P](#) [SM3100F14S-58S](#) [172501-4002](#) [172501-6002](#) [FCN-260C008-A/L0](#) [FCN-260C024-AL0](#) [FCN-](#)
[261Z008](#) [FCN-268D008-G/1K](#) [2000314-1](#) [200331-1](#) [2007498-2](#) [PCR-E28LMDAG1+](#) [PCR-E36FC+](#) [PCS-E28FS+](#) [PCS-XE26SLFD+](#) [PCS-](#)
[XE26SLFDT+](#) [G38A71214B](#) [HDRA-E68W1LFDTC-SL+](#) [HDR-E14MSG1+](#) [R88A-CNK81S](#) [CRT1-ATT02](#) [54182-0605](#) [U90B2054081210](#)
[UE86K842720321](#)