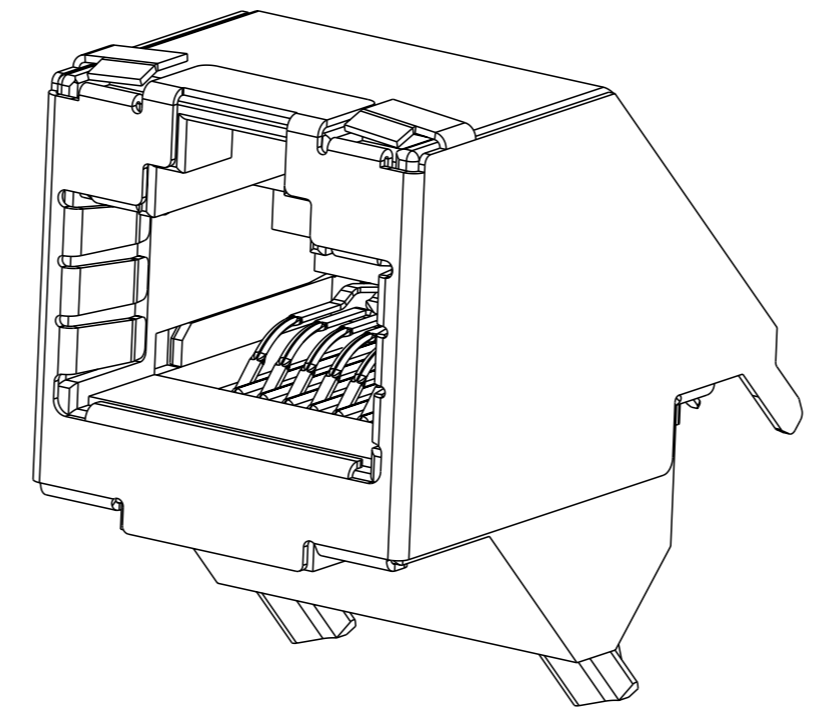
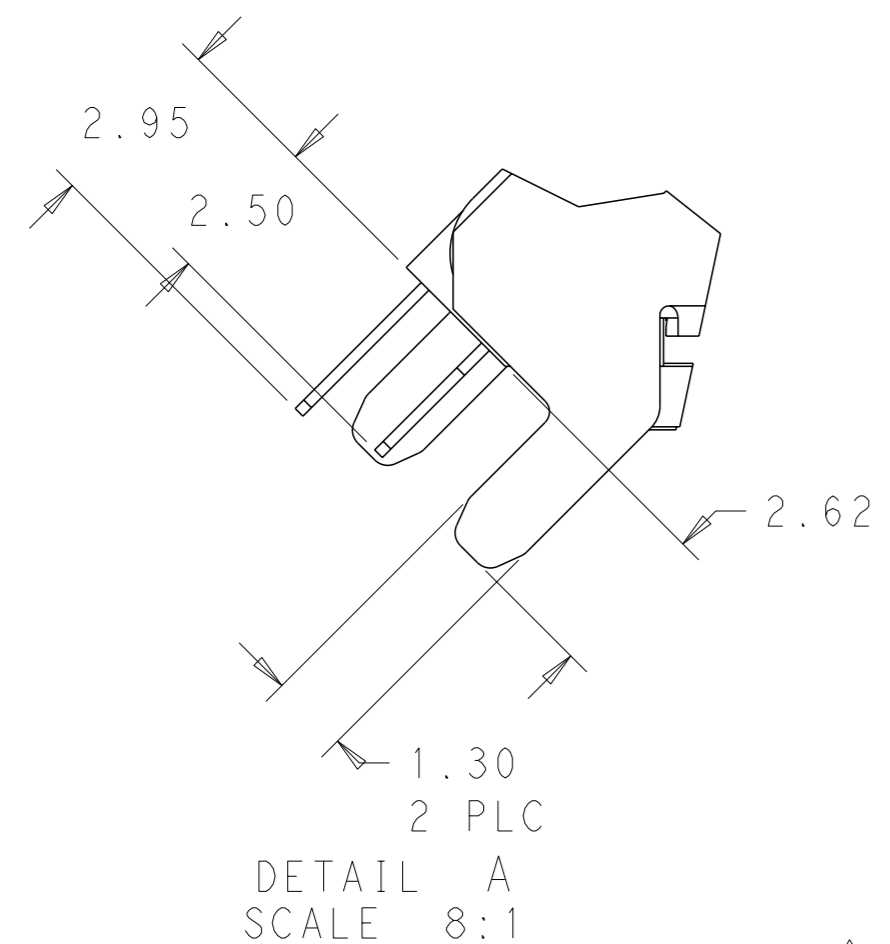
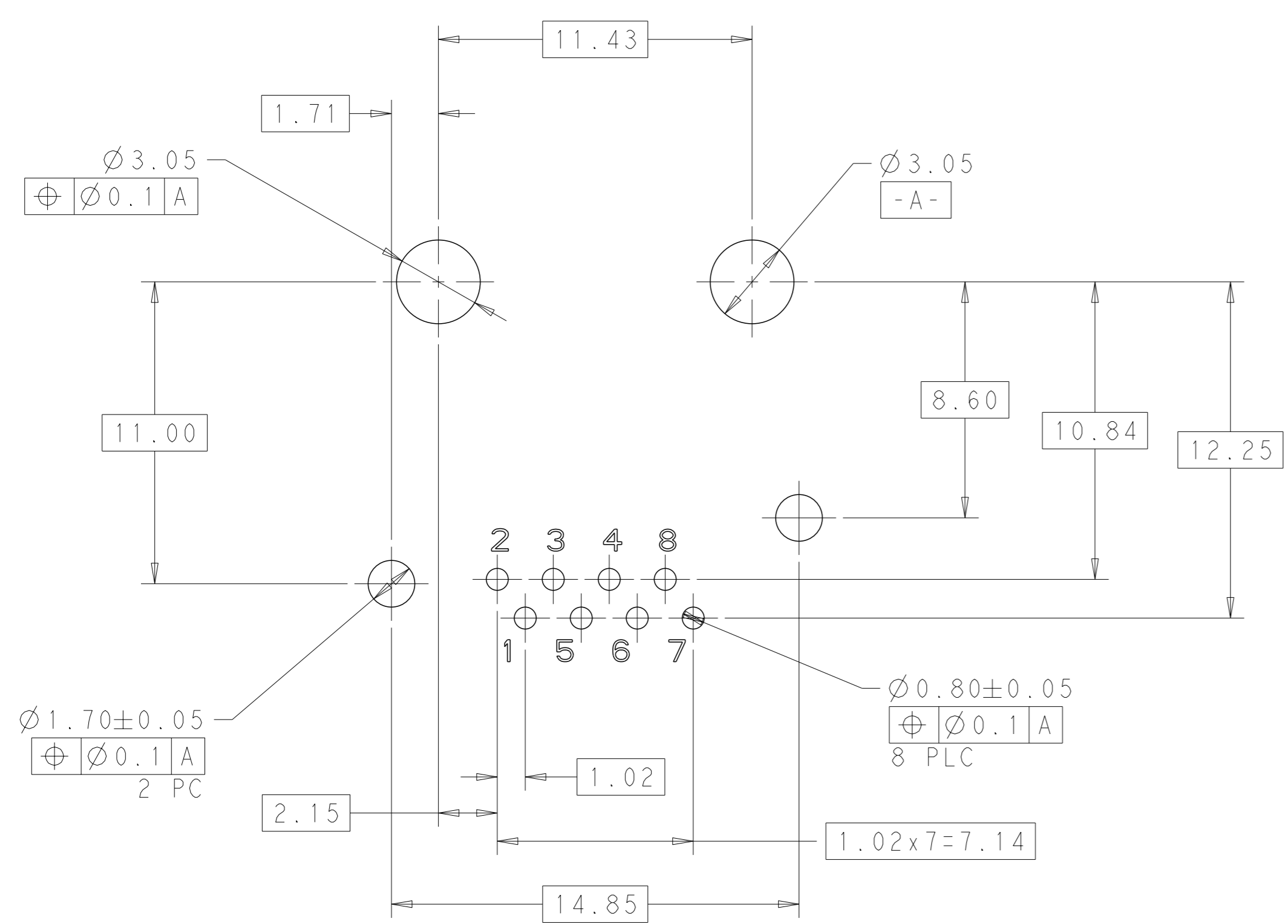
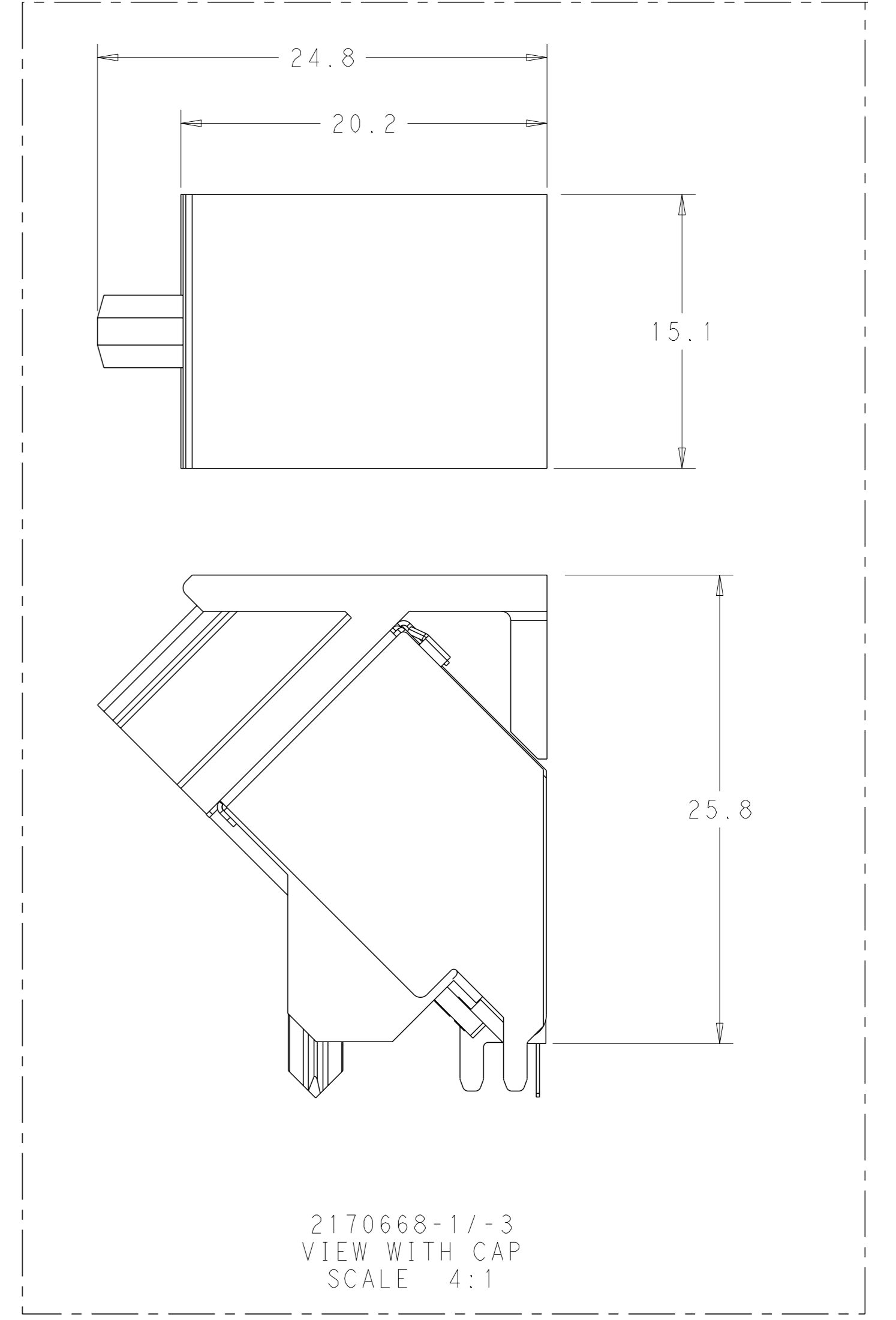
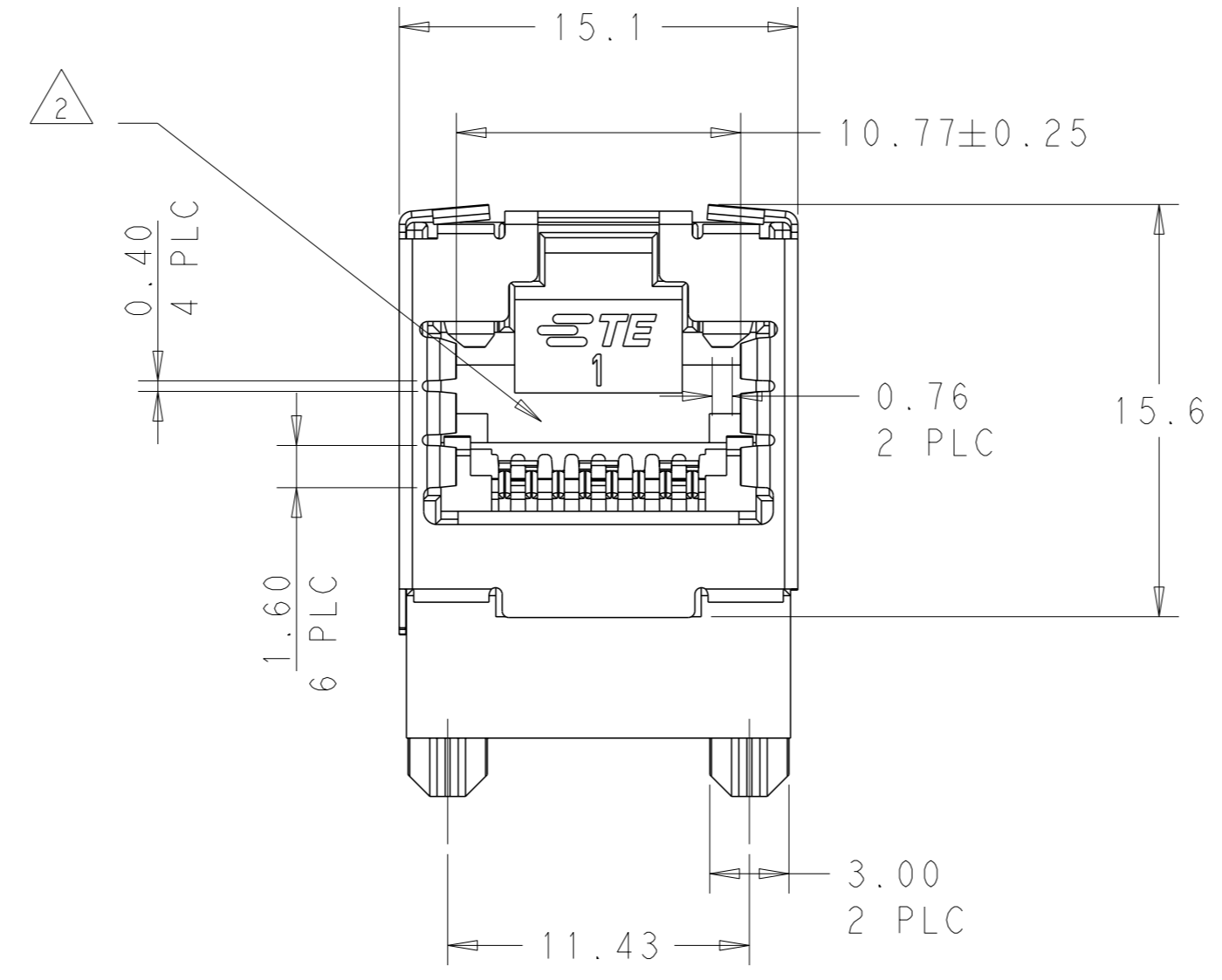
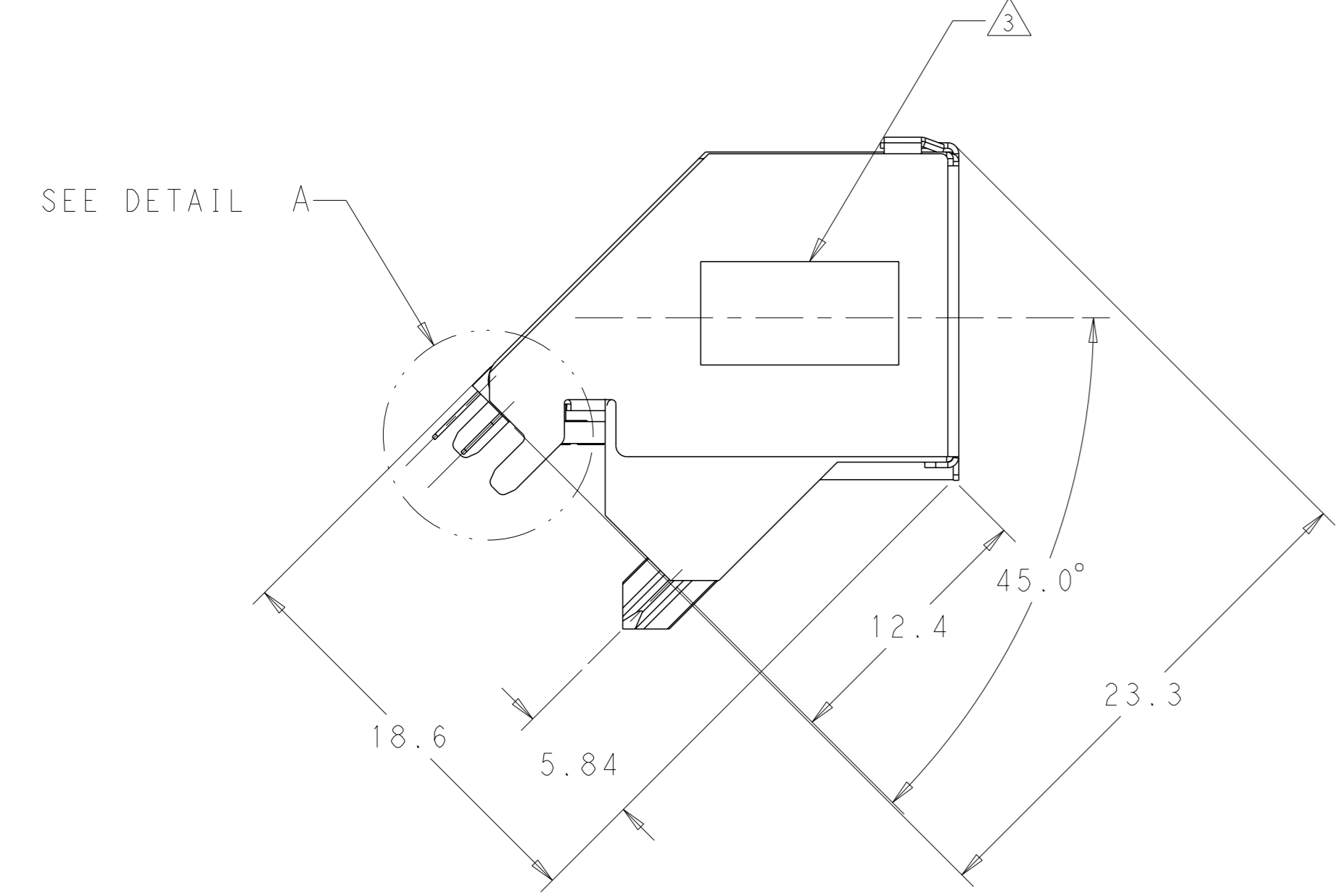


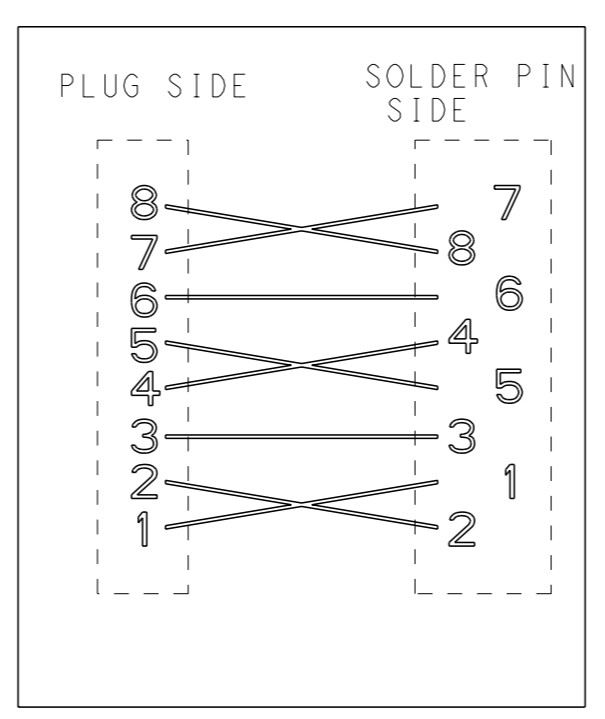
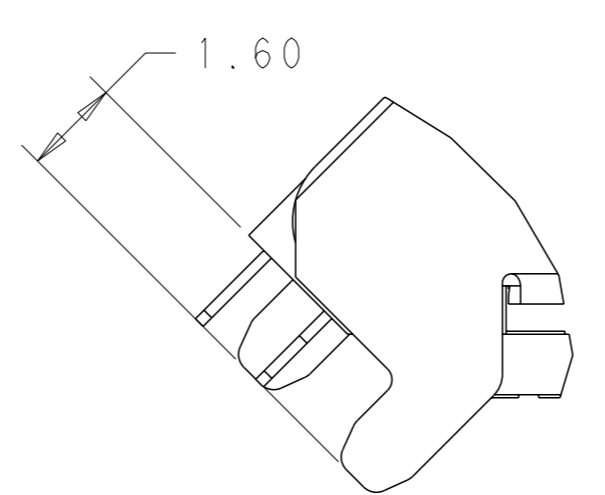
REVISIONS				
#	LY#	DESCRIPTION	DATE	OWN APVD
A	ECO-15-007308		14MAY2015	LL SH
B	ECO-16-010518		15JUL2016	LL SH



- 1 MATERIAL: HOUSING - HIGH TEMPERATURE THERMOPLASTIC, BLACK, UL 94V-0, IR REFLOW SOLDERING PROCESS COMPATIBLE. TERMINALS - 0.18MM THICK PHOSPHOR BRONZE PLATED WITH 3.81µm MINIMUM THICK MATTE TIN IN SOLDER AREA, 0.76µm MINIMUM GOLD IN LOCALIZED PLATE AREA. ENTIRE TERMINAL PLATED WITH 1.27µm[.000050] MINIMUM THICK NICKEL. SHIELD - 0.25MM MIN THICK COPPER ALLOY, PREPLATED WITH 1.27µm THICK NICKEL AND 2.03µm MINIMUM HOT TIN DIP ON PCB GROUND TABS. COMPENSATION PCB - FR-4.
- 2 JACK CAVITY CONFORMS TO FCC RULES AND REGULATIONS PART 68, SUBPART F.
- 3 PART NUMBER, DATE CODE TO BE MARKED IN APPROXIMATE LOCATION SHOWN.
- 4 FOR CAT6 APPLICATION, THE PART ITSELF CAN NOT MEET CAT6 PERFORMANCE, NECESSARY COMPENSATION ON CUSTOMER PCB IS MANDATORY.
- 5 WITHOUT THE CAP.



DETAIL A SCALE 8:1  
ONLY FOR 2170668-3/-4, OTHER DIMENSIONS SAME AS -1/-2



CAP OPTION	MATERIAL	PACKAGE	PART NUMBER
W/O CAP	ESD TRAY		2170668-4
WITH CAP	ESD TRAY		2170668-3
W/O CAP	ESD TRAY		2170668-2
WITH CAP	ESD TRAY		2170668-1

SUGGESTED PC BOARD LAYOUT. COMPONENT SIDE TOLERANCE: ±0.05

THIS DRAWING IS A CONTROLLED DOCUMENT. OWN: LEO LI, 25MAY2014. CHK: SEAN HAN, 25MAY2014. APVD: SEAN HAN, 25MAY2014.

**STE** TE Connectivity

NAME: ANGLED ENTRY JACK, SHIELDED RJ45, FOR CAT6 APPLICATION

SIZE: A1, SCALE: 4:1, SHEET: 1 OF 1, REV: B

## X-ON Electronics

Largest Supplier of Electrical and Electronic Components

*Click to view similar products for [Modular Connectors / Ethernet Connectors](#) category:*

*Click to view products by [TE Connectivity](#) manufacturer:*

Other Similar products are found below :

[8949-H88/06BLKA/SN](#) [74441-0010/BKN](#) [MP1010RX-1000](#) [MP44RX-1000](#) [PHJ-4P4C-1-V-4](#) [PHP-6P6C-5](#) [GAX-3-66](#) [GAX-8-62](#) [GDCX-PA-66-50](#) [GDCX-PN-64](#) [GDCX-PN-66](#) [GDCX-PN-66-50](#) [GDLX-A-66](#) [GDLX-N-66](#) [GDLX-S-66](#) [GDLX-S-88K](#) [GDLX-SMT-S-88](#) [GDTX-S-88-50](#) [GDX-PA-1010](#) [GLX-N-1010M-BLK](#) [GLX-S-88M-BLK](#) [GMX-N-1010](#) [GMX-S-1010](#) [GMX-S-66](#) [GMX-SMT4-N-88](#) [GPX-2-64](#) [GSGX-N-2-88](#) [GSGX-N-4-88](#) [GSX-NS2-88-3.05](#) [GSX-NS2-88-3.05-50](#) [GSX-NS-88-3.05-50](#) [PT-108A-8C-UL](#) [PT-J951-8C](#) [PTS-J531-8CS-50UL](#) [1-1775629-2](#) [A-2014-0-4](#) [GWLX-S-88-GR](#) [GWLX-S9-88-YG](#) [DC-1021-8-WH-6](#) [1300530003](#) [1324640-4](#) [RJ11FTVC2G](#) [RJ11FTVC2N](#) [RJFTVX2SA1G](#) [132764-001](#) [1413235](#) [MP88X-1000](#) [MPS88RX-5000](#) [E5288-S000K3-L](#) [E5908-15A242-L](#)