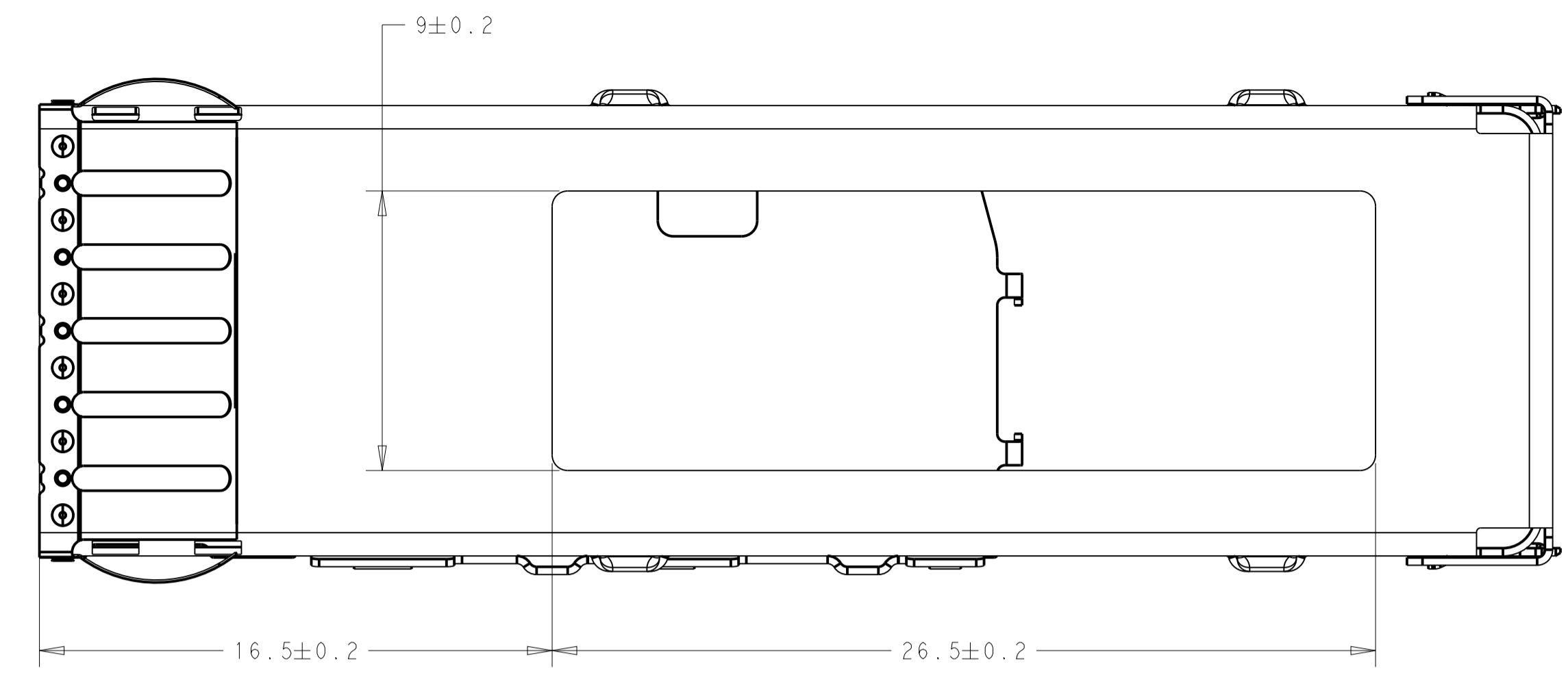
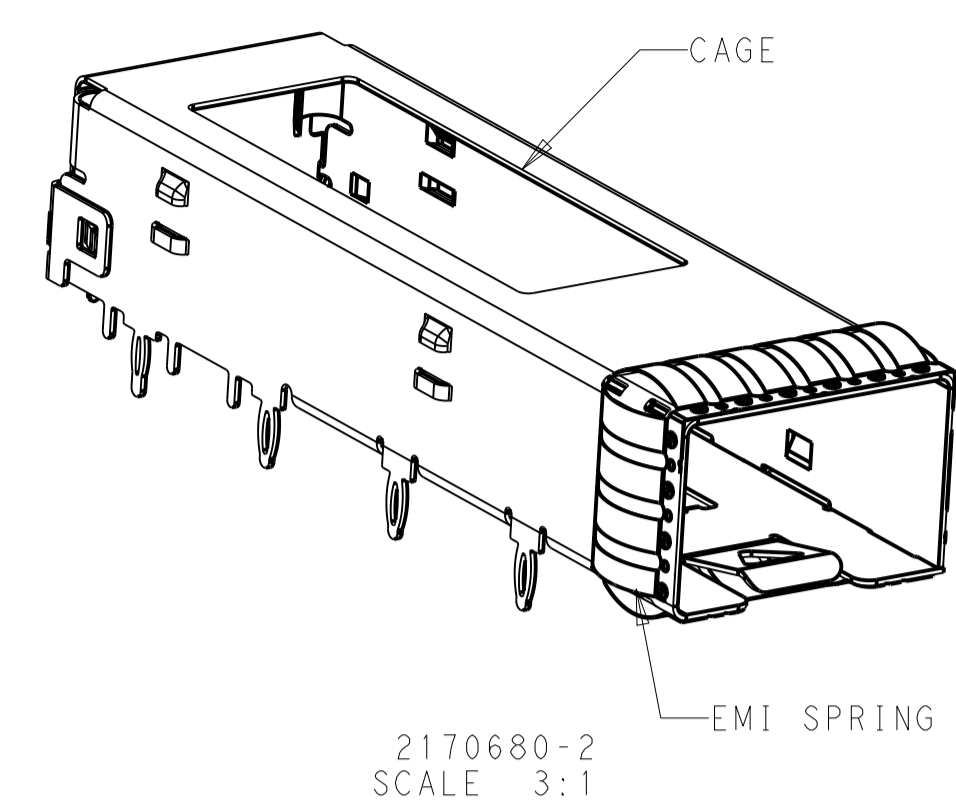
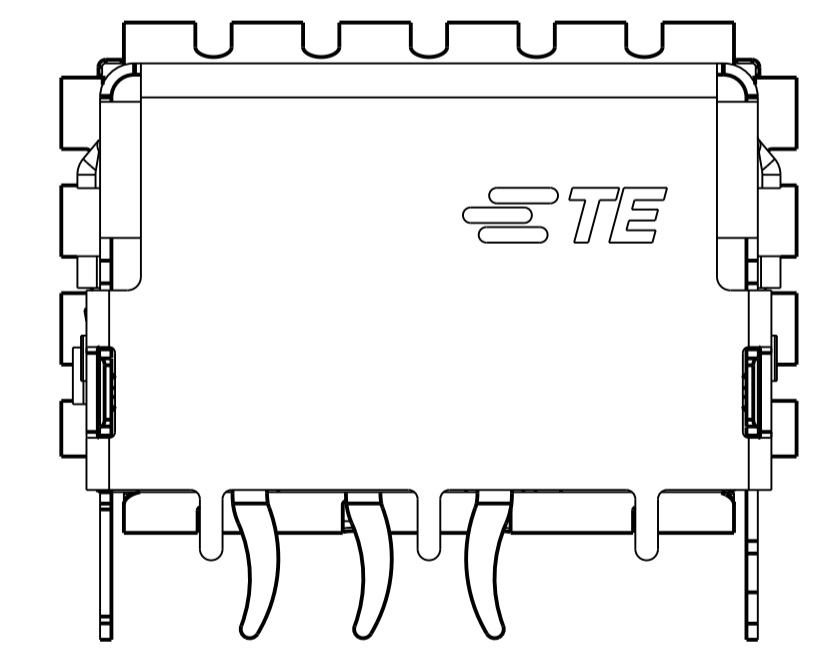
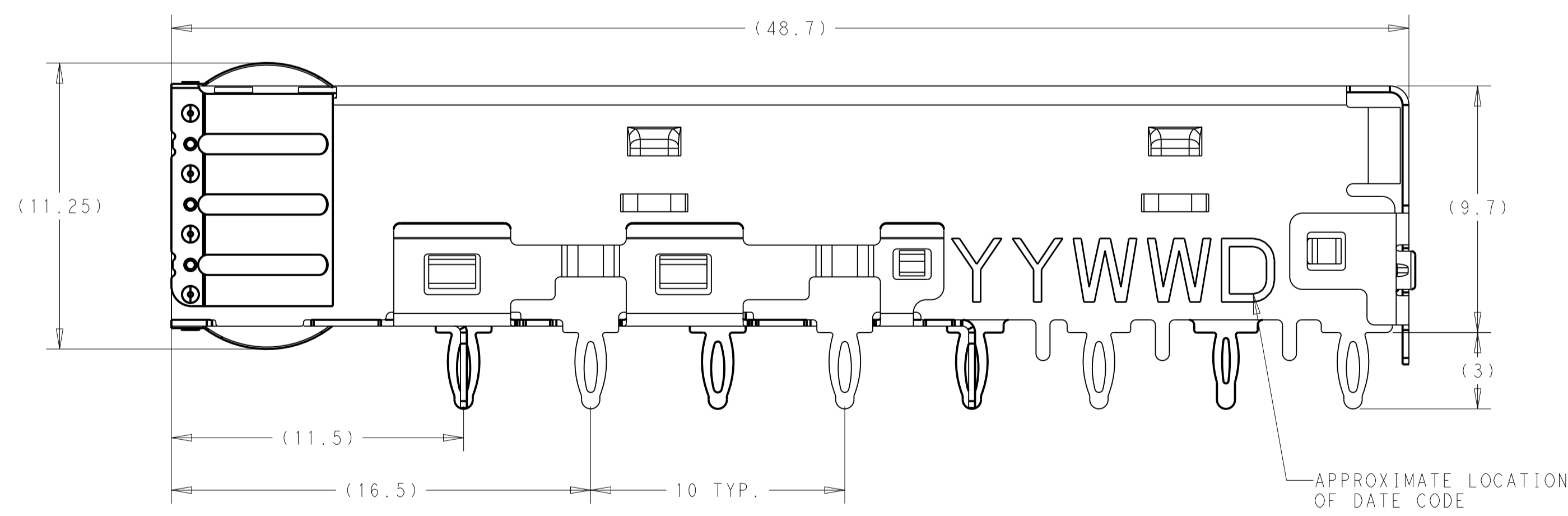
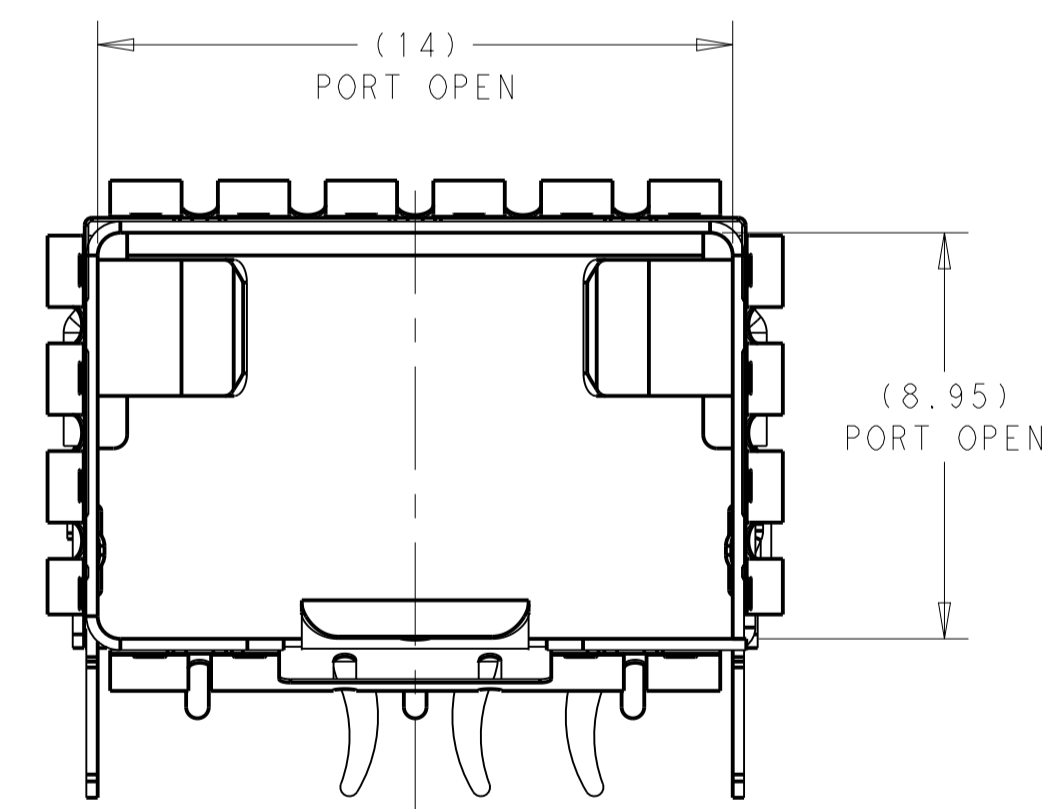
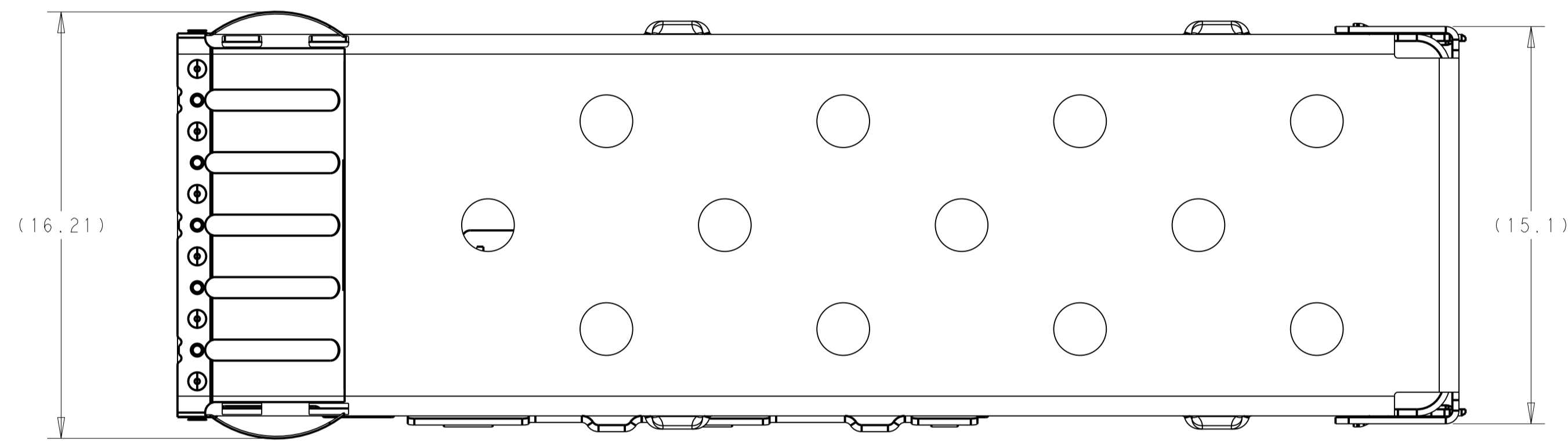
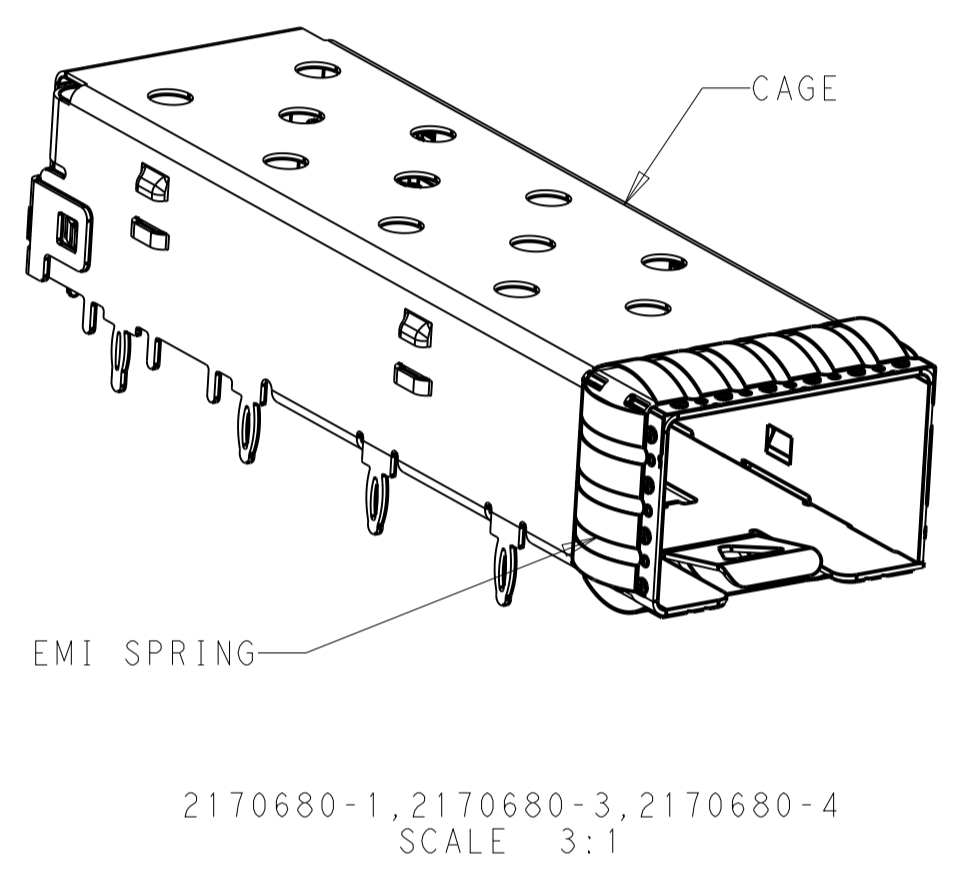


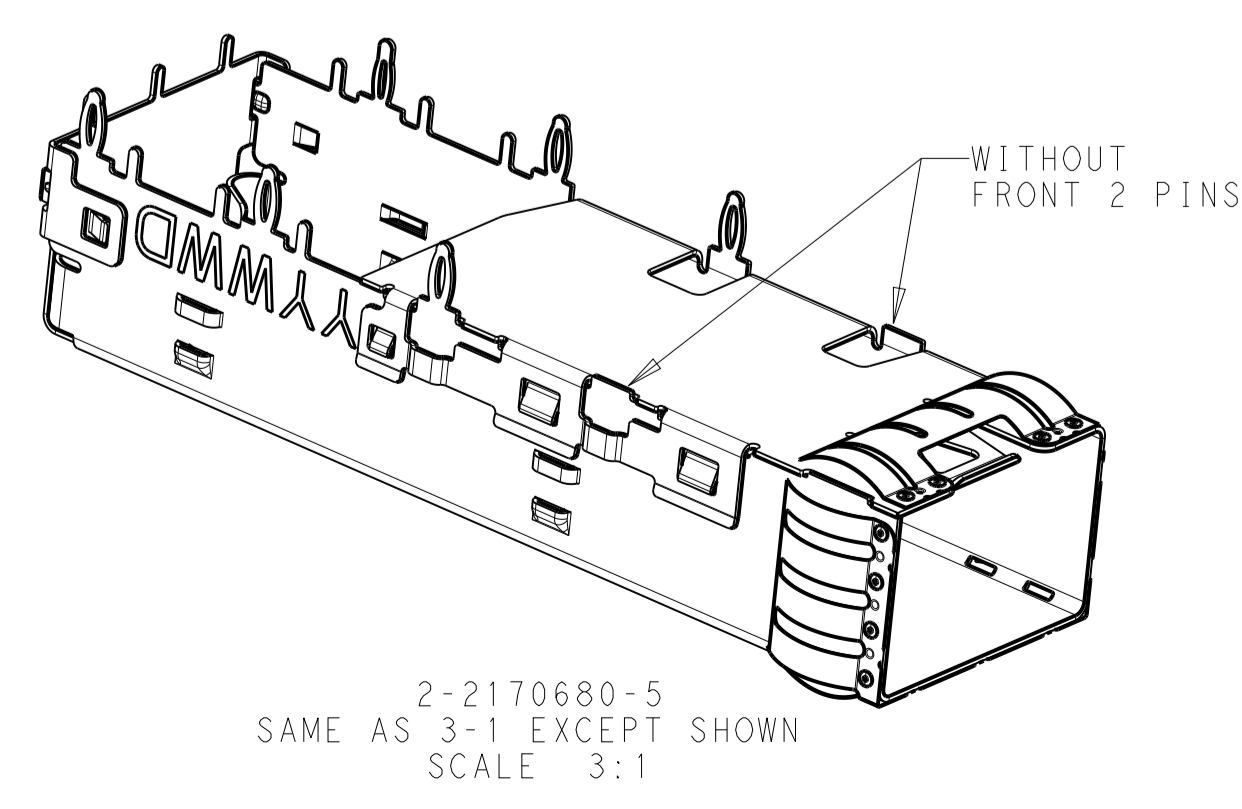
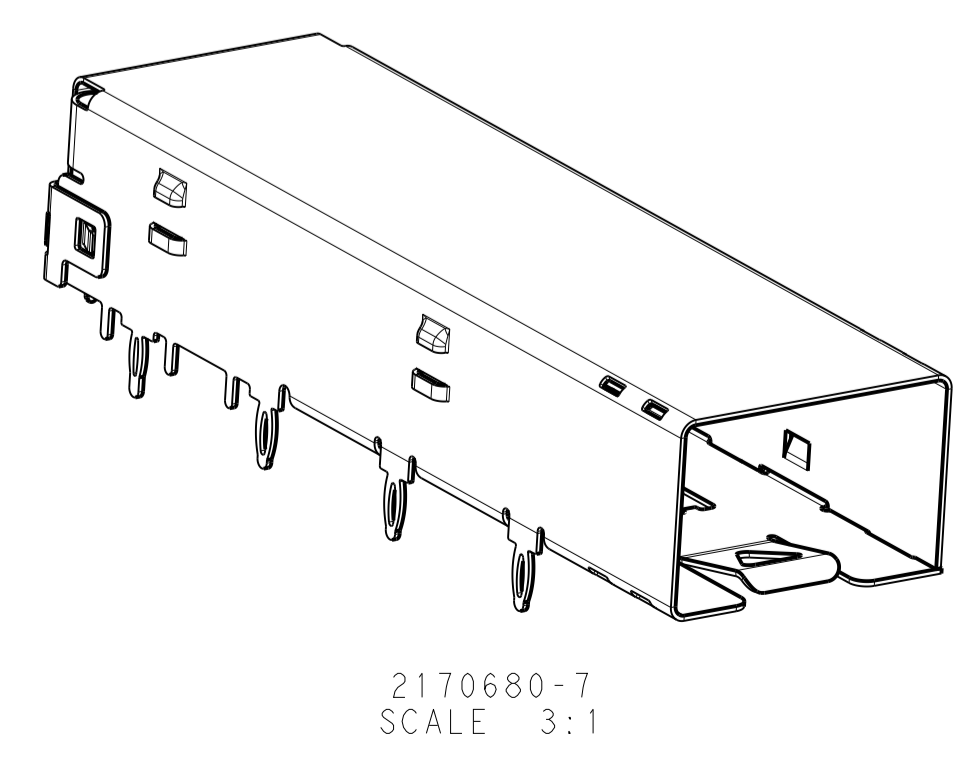
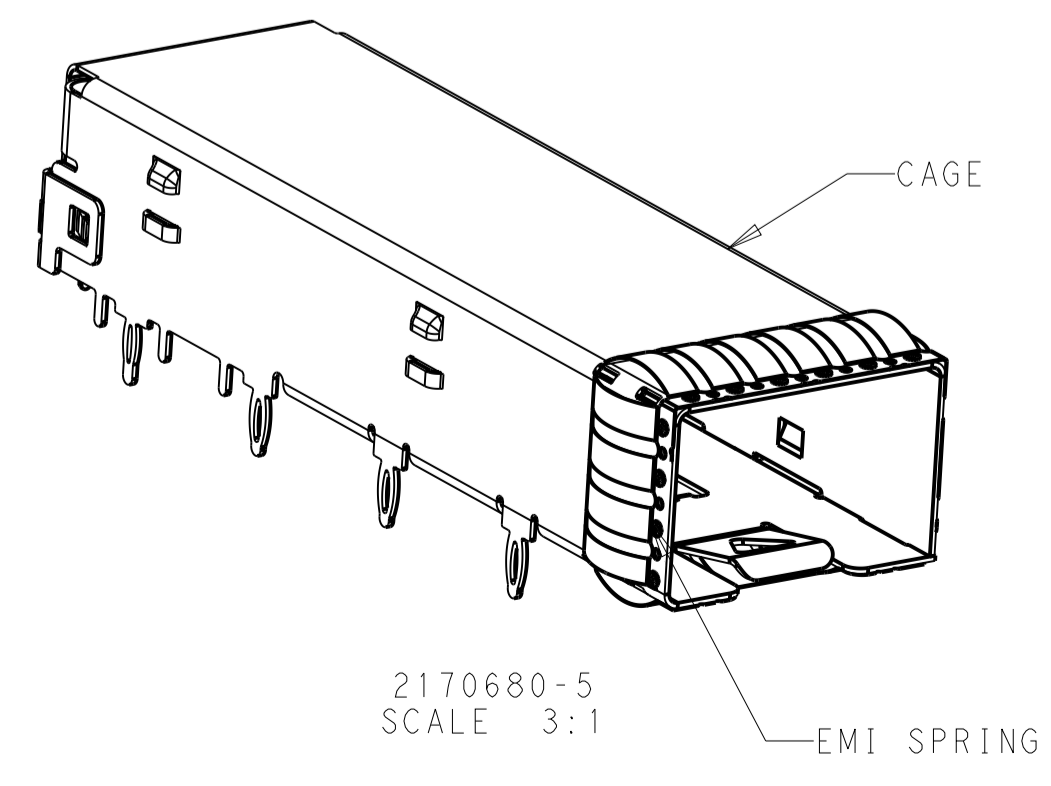
LOC		DIST		REVISIONS			
GP	00	P	LTN	DESCRIPTION	DATE	DWN	APVD
		B		REVISED PER ECO-21-000648	19JAN2021	JY	SZ



2170680-2
SAME AS 2170680-1 EXCEPT AS SHOWN
TOP VIEW



W/O INSULATING TAPE	WITHOUT LOCATE PINS	3-2170680-1
W/O INSULATING TAPE	WITHOUT FRONT 2 PINS WITHOUT LOCATE PINS	2-2170680-5
W/O INSULATING TAPE	WITHOUT KICK-OUT SPRING, EMI HOLES	2-2170680-1
W/O INSULATING TAPE	NO HOLES/NO SPRING	2170680-7
W/O INSULATING TAPE	NO HOLES	2170680-5
W/O INSULATING TAPE	EMI HOLES	2170680-4
W/ INSULATING TAPE	EMI HOLES	2170680-3
W/O INSULATING TAPE	HEATSINK OPENING	2170680-2
W/O INSULATING TAPE	EMI HOLES	2170680-1
INSULATING TAPE	DESCRIPTION	PART NUMBER



- 1 MATERIAL:
CAGE ASSEMBLY - 0.25mm THICK NICKEL SILVER ALLOY.
EMI SPRINGS - COPPER ALLOY.
- 2 FINISH
EMI SPRINGS - 0.8um MIN NICKEL, NON-PLATED EDGES PERMISSIBLE.
- 3. MATES WITH SFP MSA COMPLIANT TRANSCEIVERS.
- 4 PADS AND VIAS CHASSIS GROUND.
- 5 DATUM AND BASIC DIMENSION ESTABLISHED BY CUSTOMER.
- 6. MINIMUM PC BOARD THICKNESS:
SINGLE SIDED = 1.50 mm
DOUBLE SIDED = 3.00 mm
- 7 REFERENCE APPLICATION SPEC. 114-13120, HOLE A, FOR
RECOMMENDED DRILL HOLE DIAMETER AND PLATING THICKNESS.
- 8 REFERENCE APPLICATION SPEC. 114-13120, HOLE C, FOR
RECOMMENDED DRILL HOLE DIAMETER AND PLATING THICKNESS.
- 9 PRELIMINARY PART
- 10 PACKAGE TYPE IS TAPE AND REEL. THE PITCH IS 28MM, REEL DIAMETER IS 380MM
TAPE WIDTHE IS 72MM, PER REEL QTY IS 180PCS, 360PCS/BOX.
- 11 PACKAGE TYPE IS TAPE AND REEL. THE PITCH IS 24MM, REEL DIAMETER IS 380MM
TAPE WIDTHE IS 72MM, PER REEL QTY IS 180PCS, 360PCS/BOX.
THE COLOR OF POCKET TAPE IS BLACK.

THIS DRAWING IS A CONTROLLED DOCUMENT. OWN: CHARLES WAN 24DEC2014
 CHK: SEAN HAN 24DEC2014
 APVD: SEAN HAN 24DEC2014

DIMENSIONS: IN

0 PLC	±0.1
1 PLC	±.1
2 PLC	±.1
3 PLC	±.1
4 PLC	±.05
5 PLC	±.05

TOLERANCES UNLESS OTHERWISE SPECIFIED:

FINISH

MATERIAL

APPROXIMATE LOCATION OF DATE CODE

WITHOUT FRONT 2 PINS

STE TE Connectivity

NAME: SFP+ 1X1 CAGE ASSEMBLY, PRESS-FIT
PRESS-FIT, EMI SPRINGS

PRODUCT SPEC: 108-2364

APPLICATION SPEC: 114-13120

SIZE: A1

CAGE CODE: 100779

DRAWING NO: 2170680

RESTRICTED TO

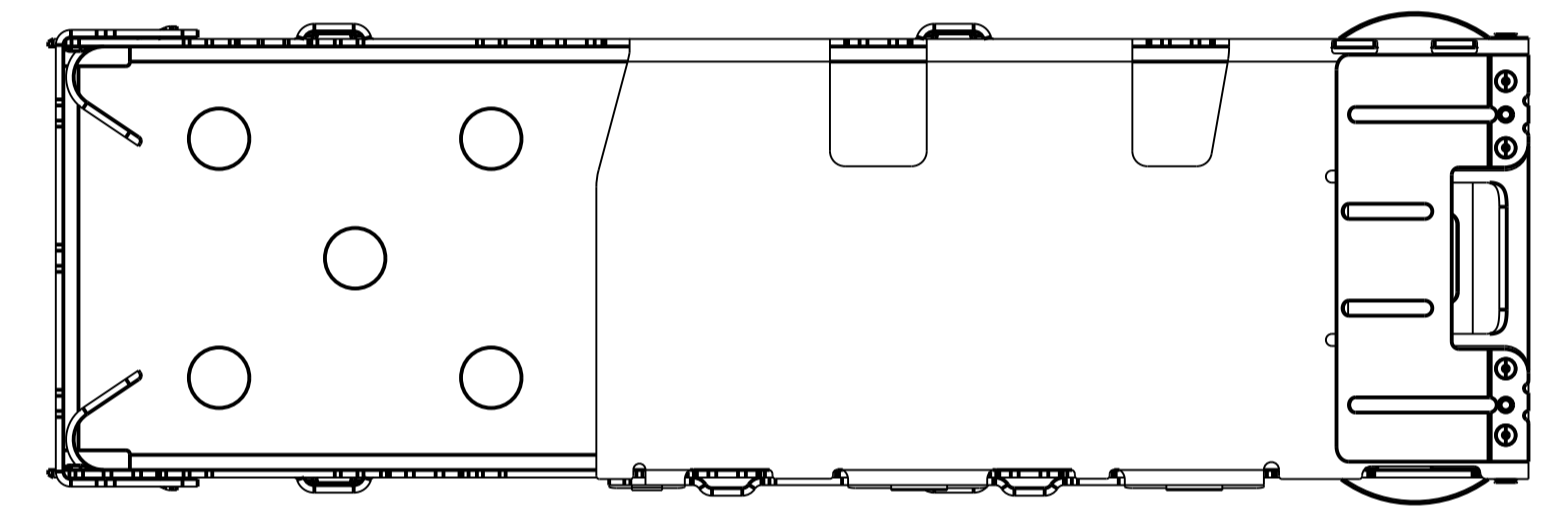
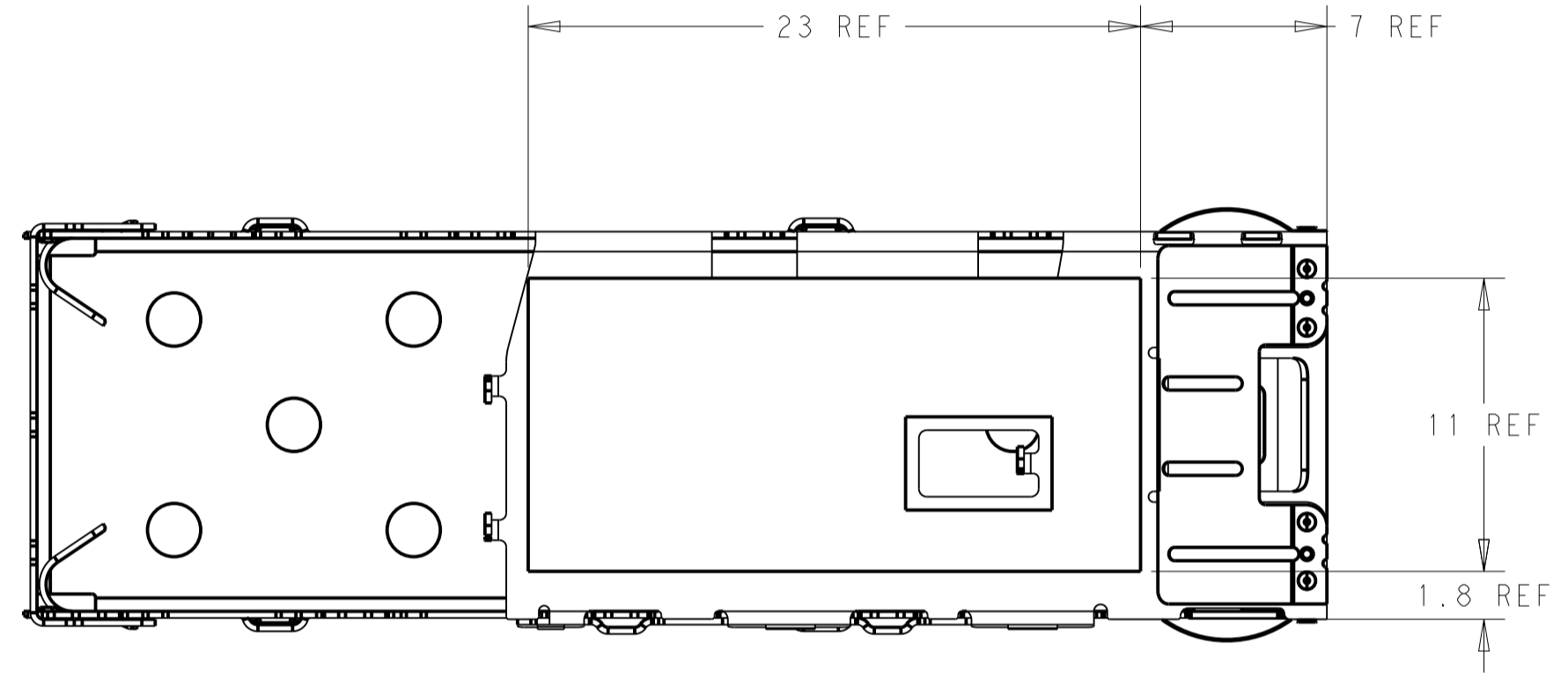
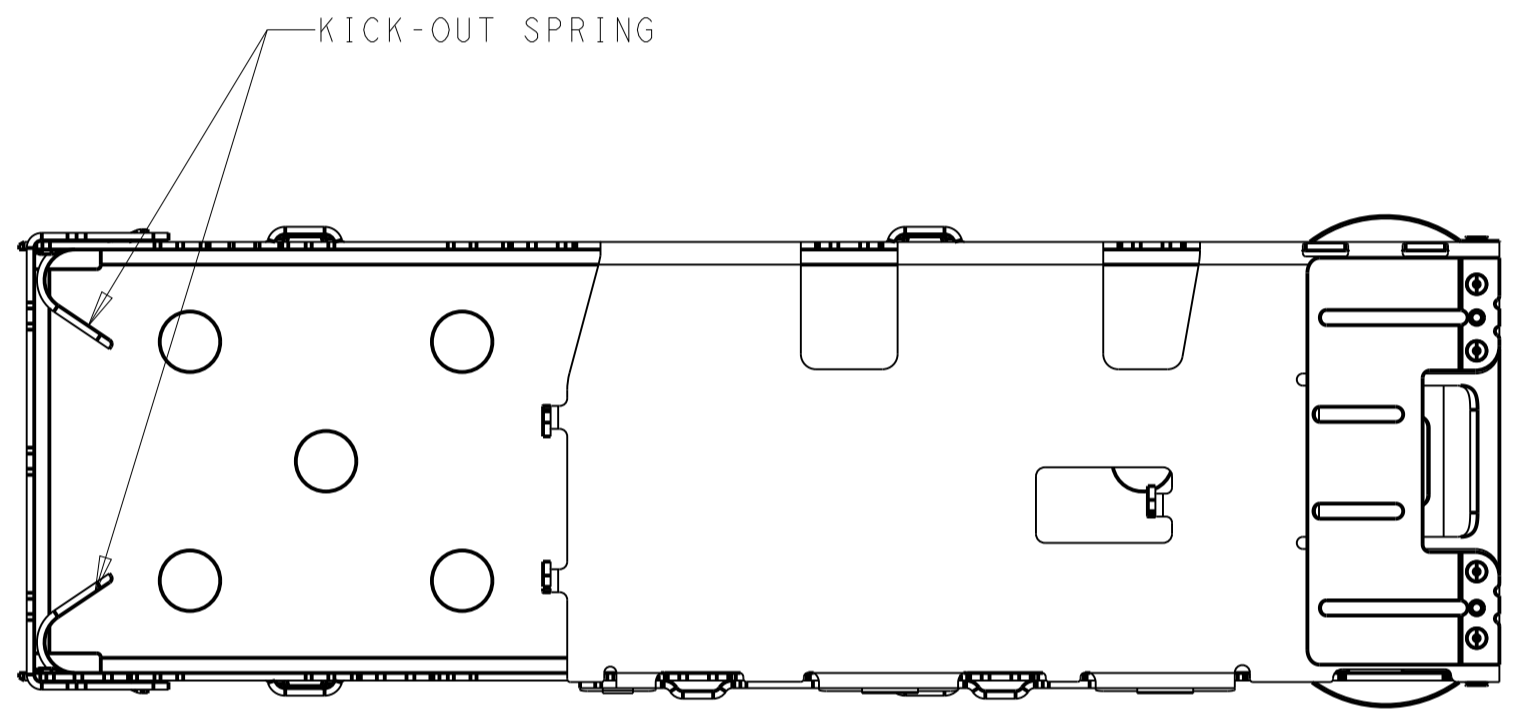
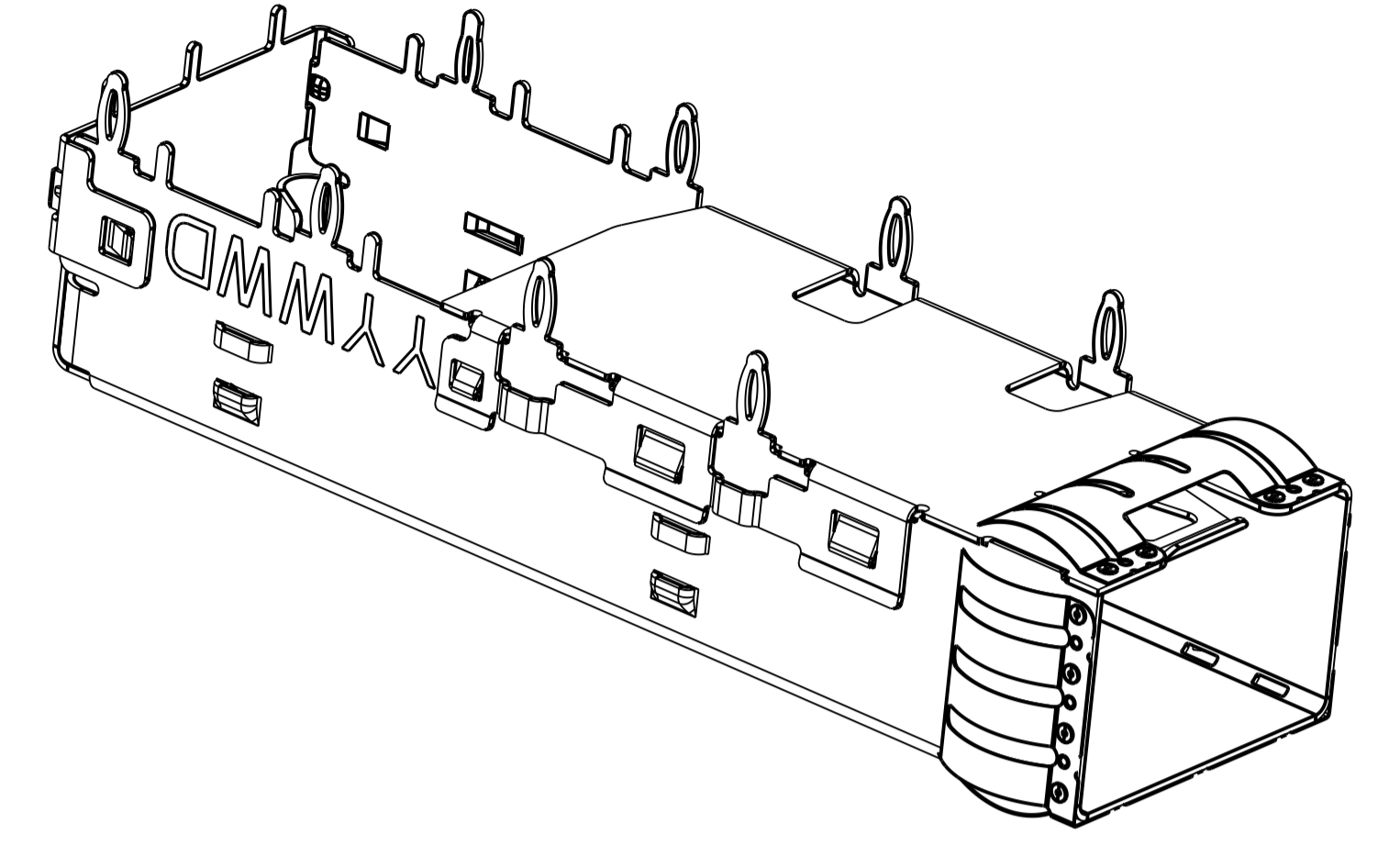
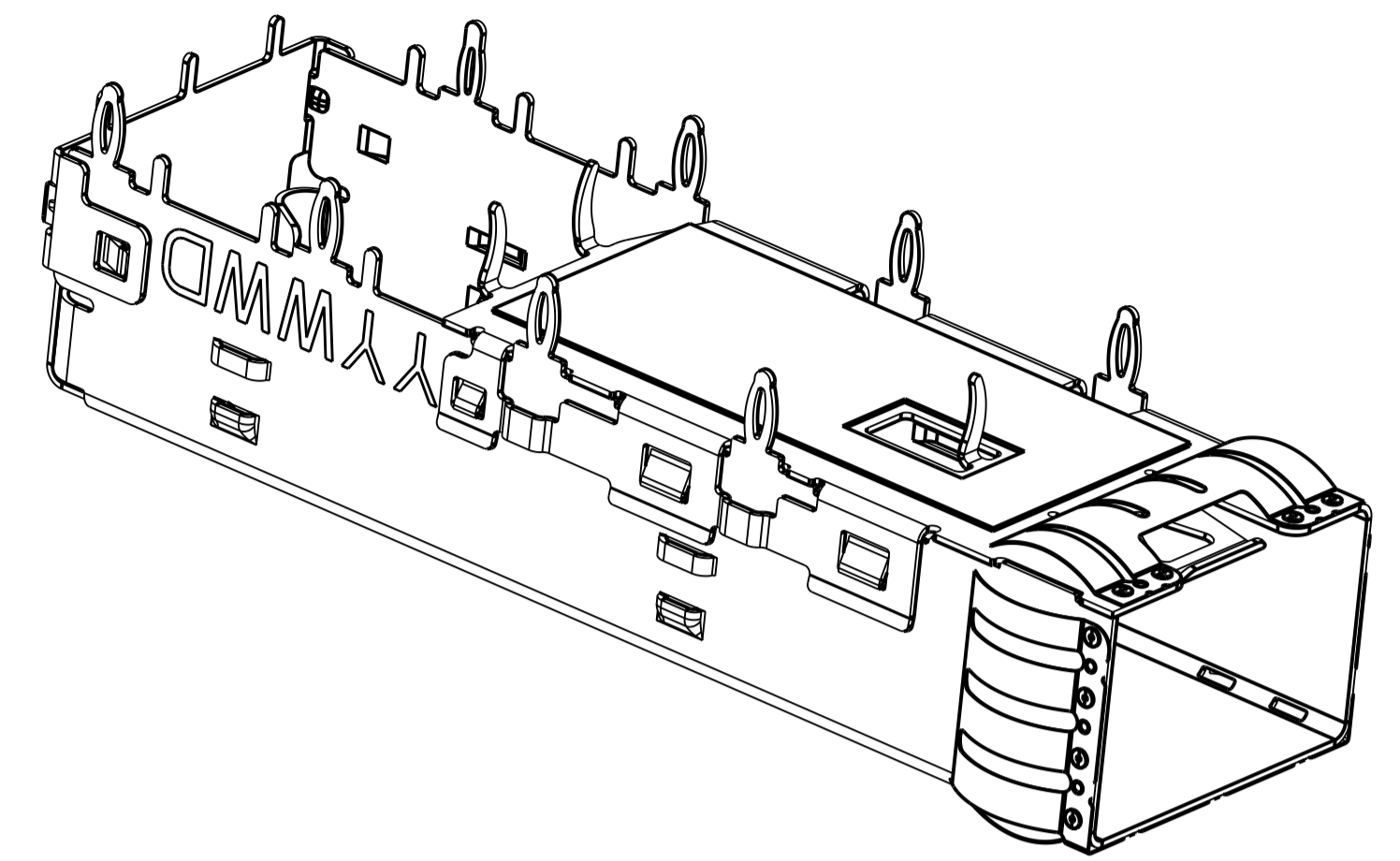
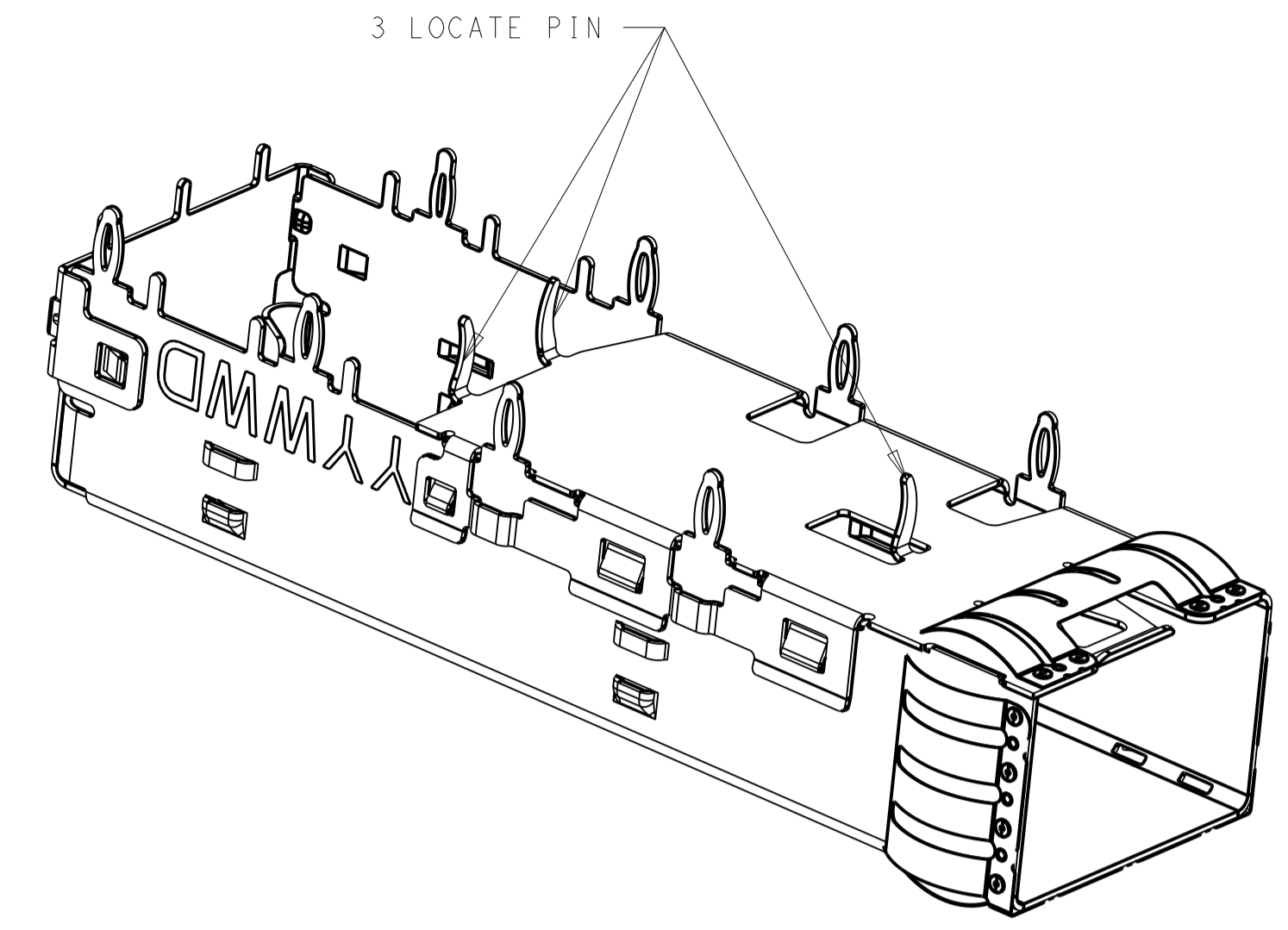
CUSTOMER DRAWING

SCALE: 6:1

SHEET: 1 OF 5

REV: B

LOC		DIST		REVISIONS			
P	LTN	DESCRIPTION	DATE	DMN	APVD		
-	-	SEE SHEET 1	-	-	-		

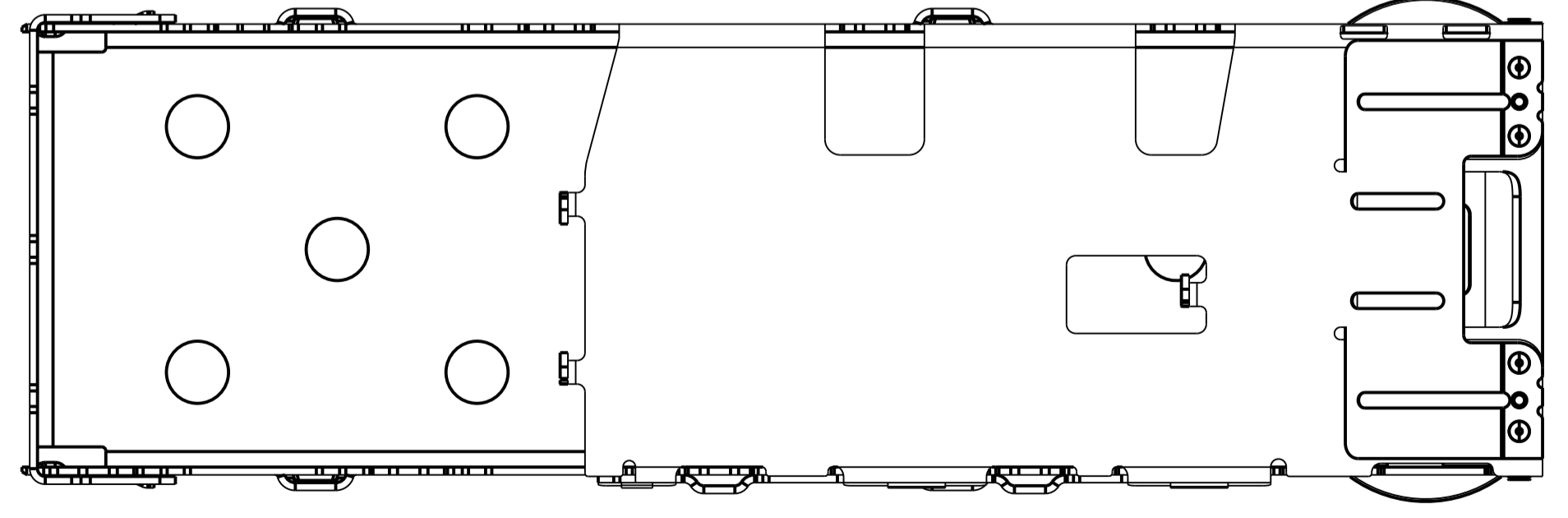
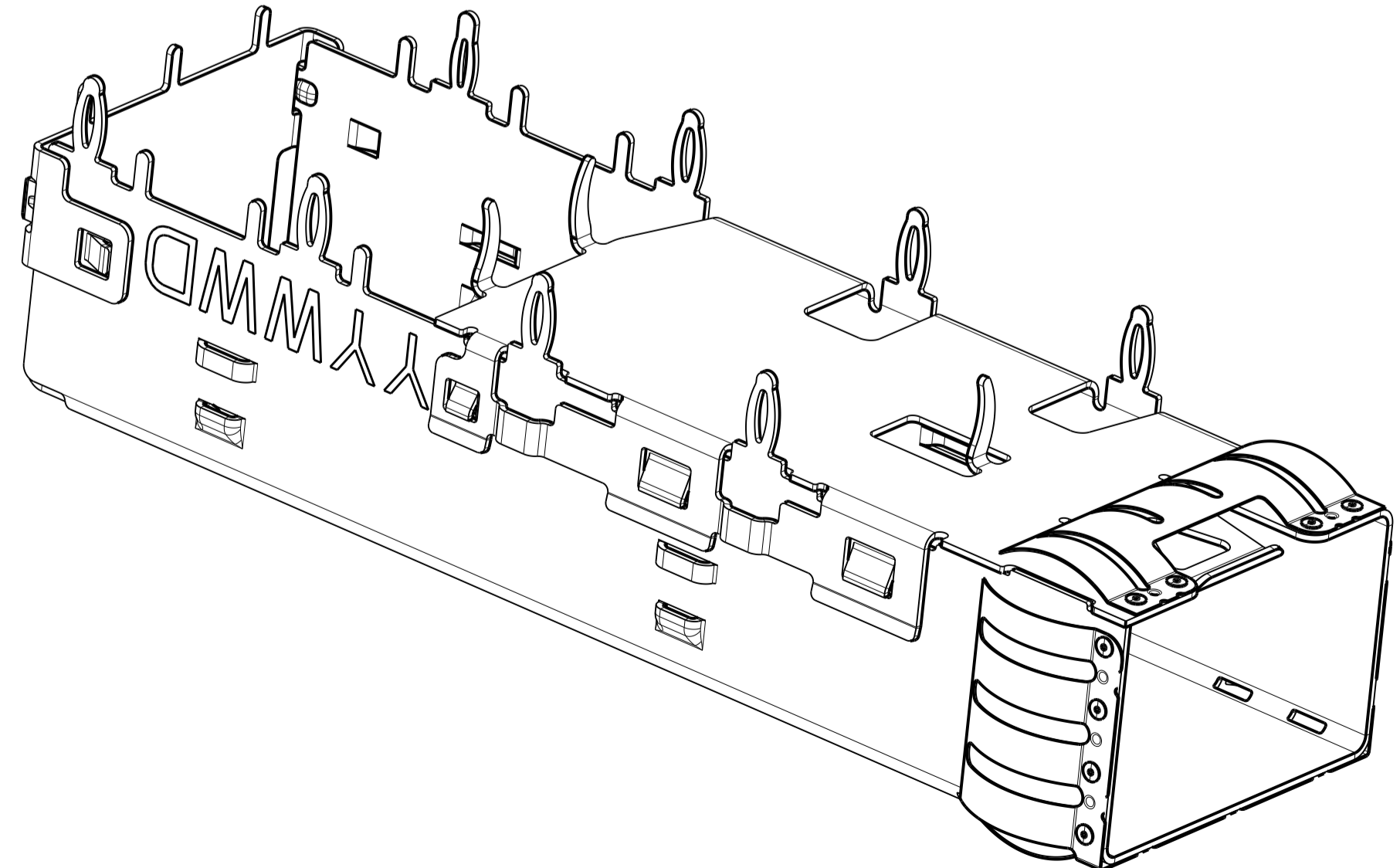


2170680-1, 2170680-4
 SCALE 4:1

2170680-3
 SCALE 4:1

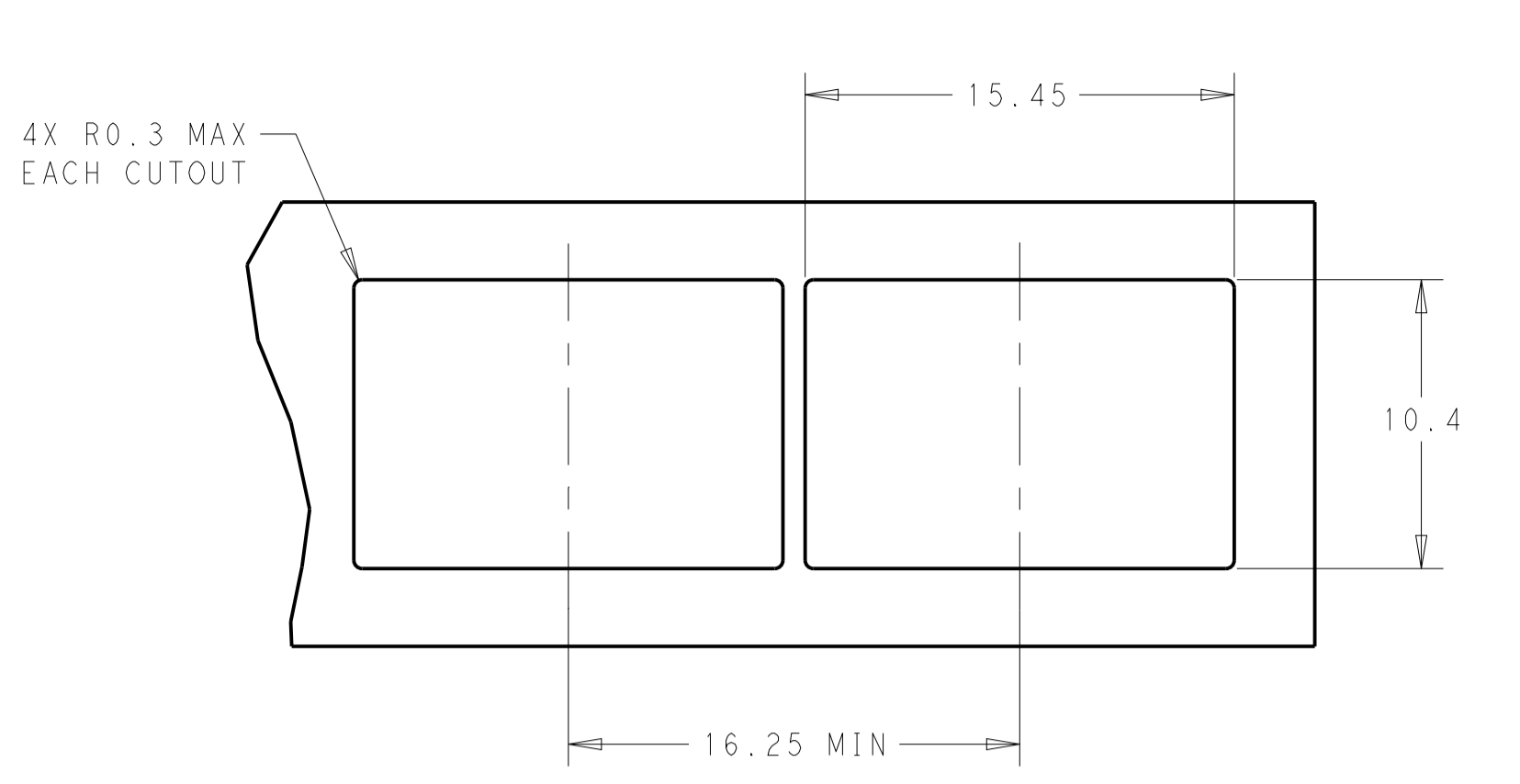
3-2170680-1
 SAME TO 2170680-1
 WITHOUT 3 LOCATE PIN
 SCALE 4:1

2-2170680-1
 SAME TO 2170680-1 EXCEPT WO KICK-OUT SPRING

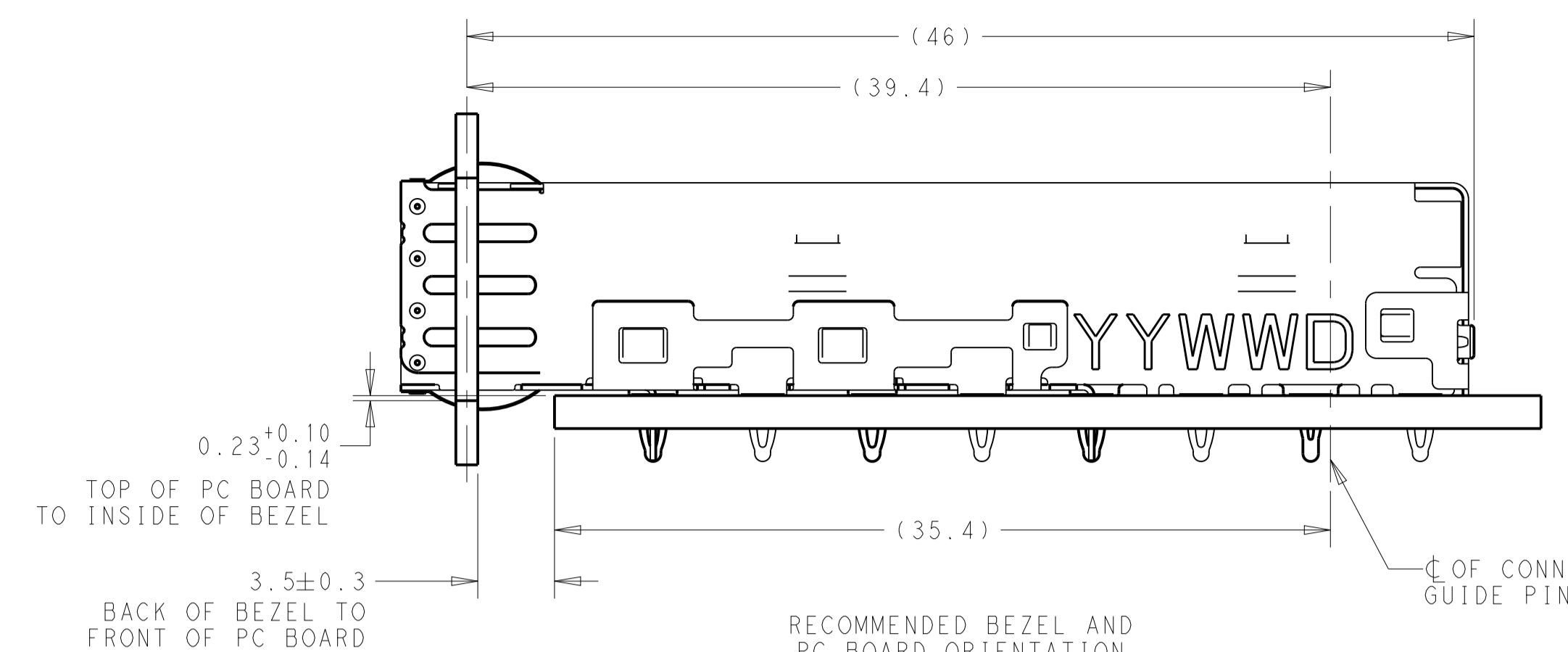


THIS DRAWING IS A CONTROLLED DOCUMENT.		DMN: CHARLES WAN 24DEC2014	TE Connectivity
DIMENSIONS: 1 IN		CHK: SEAN HAN 24DEC2014	
TOLERANCES UNLESS OTHERWISE SPECIFIED:		APVD: SEAN HAN 24DEC2014	NAME: SFP+ 1X1 CAGE ASSEMBLY, PRESS-FIT PRESS-FIT, EMI SPRINGS
0 PLC ±0.1		PRODUCT SPEC: 108-2364	
1 PLC ±.1		APPLICATION SPEC: 114-13120	SIZE: A1 CAGE CODE: 00779 DRAWING NO: C=2170680
2 PLC ±.1		WEIGHT: -	
3 PLC ±.05		CUSTOMER DRAWING	RESTRICTED TO: -
4 PLC ±.05		SCALE: 6:1	SHEET: 2 OF 5
ANGLES ±.05		REV: B	
FINISH			

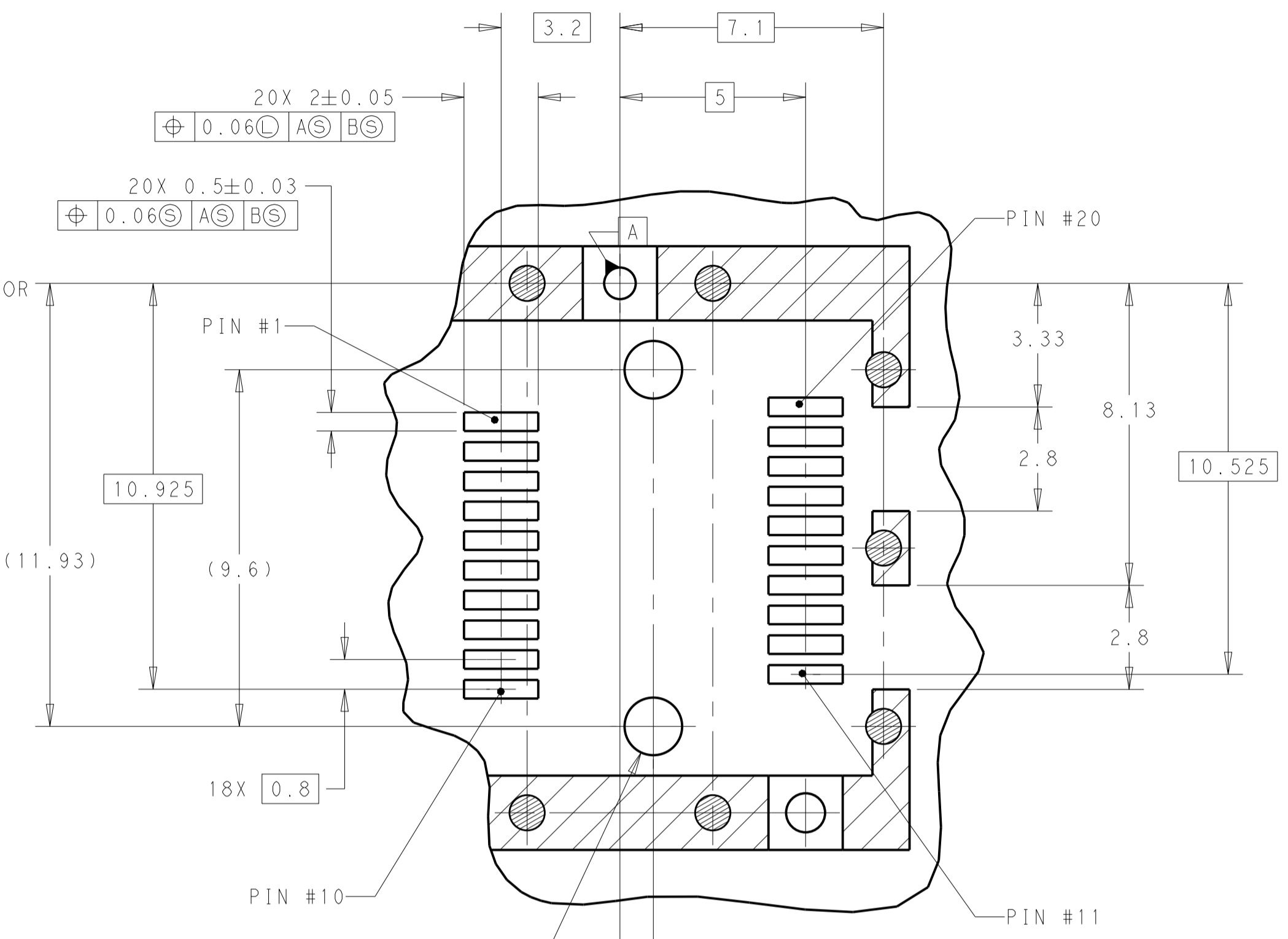
LOC	DIST	REVISIONS			
P	LTM	DESCRIPTION	DATE	DMN	APVD
-	-	SEE SHEET 1	-	-	-



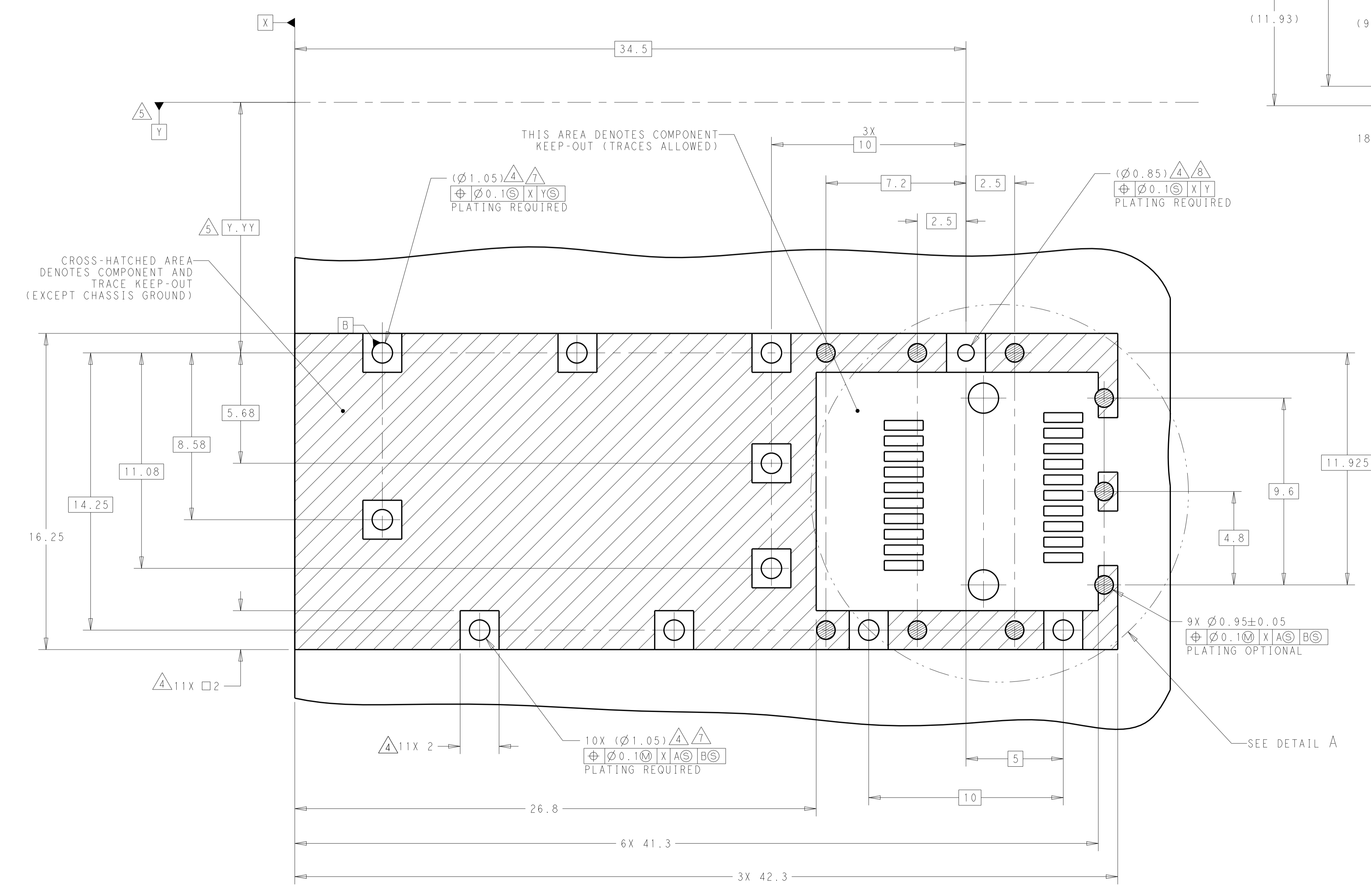
RECOMMENDED BEZEL CUTOUT
SCALE 4:1



RECOMMENDED BEZEL AND
PC BOARD ORIENTATION
SCALE 4:1



DETAIL A
SCALE 8:1

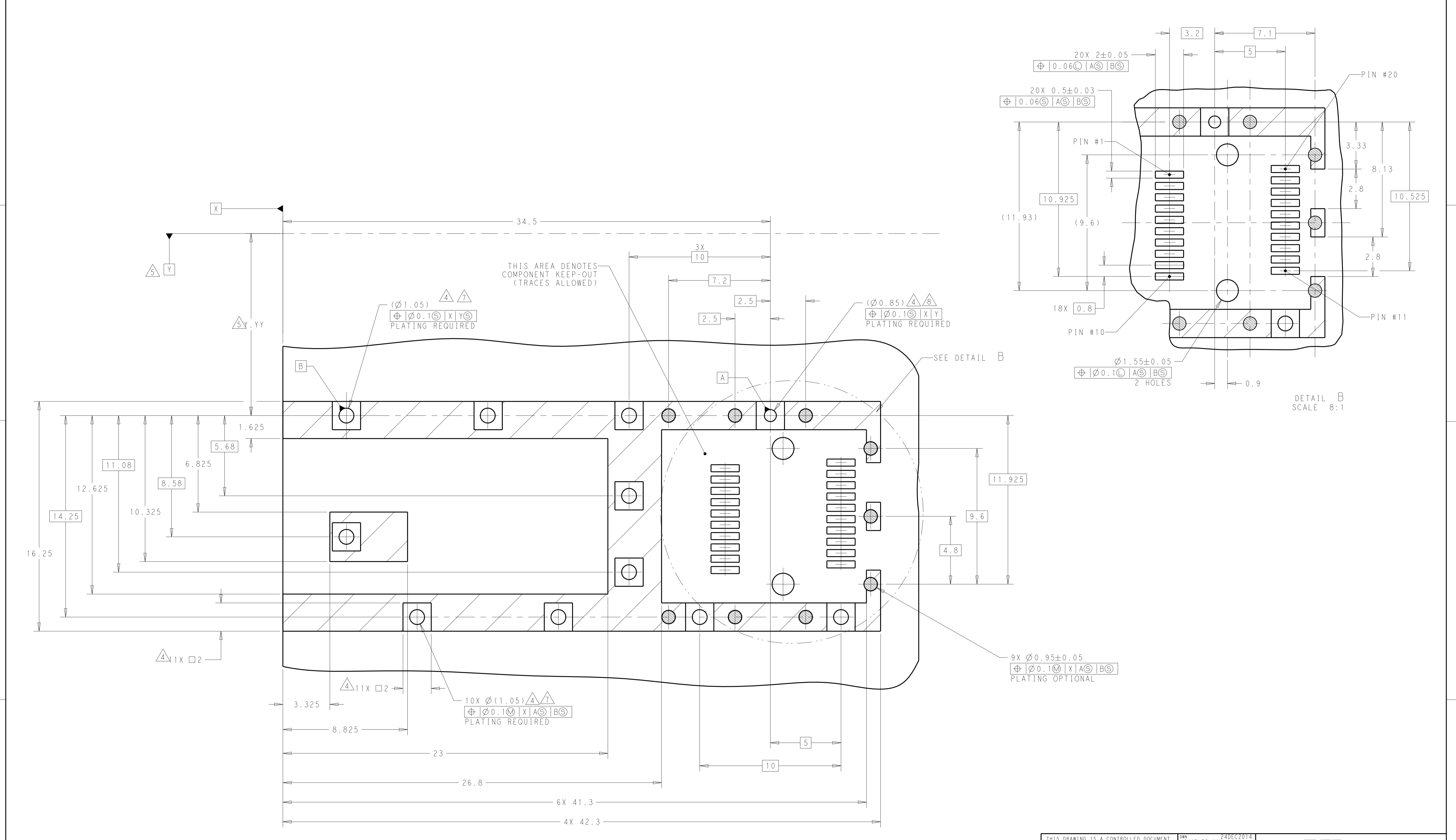


RECOMMENDED PCB LAYOUT
SCALE 8:1

THIS DRAWING IS A CONTROLLED DOCUMENT.		OWN: CHARLES WAN 24DEC2014	TE Connectivity
		CHK: SEAN HAN 24DEC2014	
DIMENSIONS:		APVD: SEAN HAN 24DEC2014	NAME: SFP+ 1X1 CAGE ASSEMBLY, PRESS-FIT PRESS-FIT, EMI SPRINGS PRODUCT SPEC: 108-2364 APPLICATION SPEC: 114-13120
TOLERANCES UNLESS OTHERWISE SPECIFIED:		SIZE: A100779C=2170680	
0 PLC ±0.1	1 PLC ±0.1	WEIGHT:	RESTRICTED TO:
2 PLC ±0.1	3 PLC ±0.1	CUSTOMER DRAWING	
4 PLC ±0.05	5 PLC ±0.05	SCALE: 2:1	SHEET: 3 OF 5
ANGLES ±0.5			REV: B

LOC	DIST	REV	DATE	BY	APPD
		1			

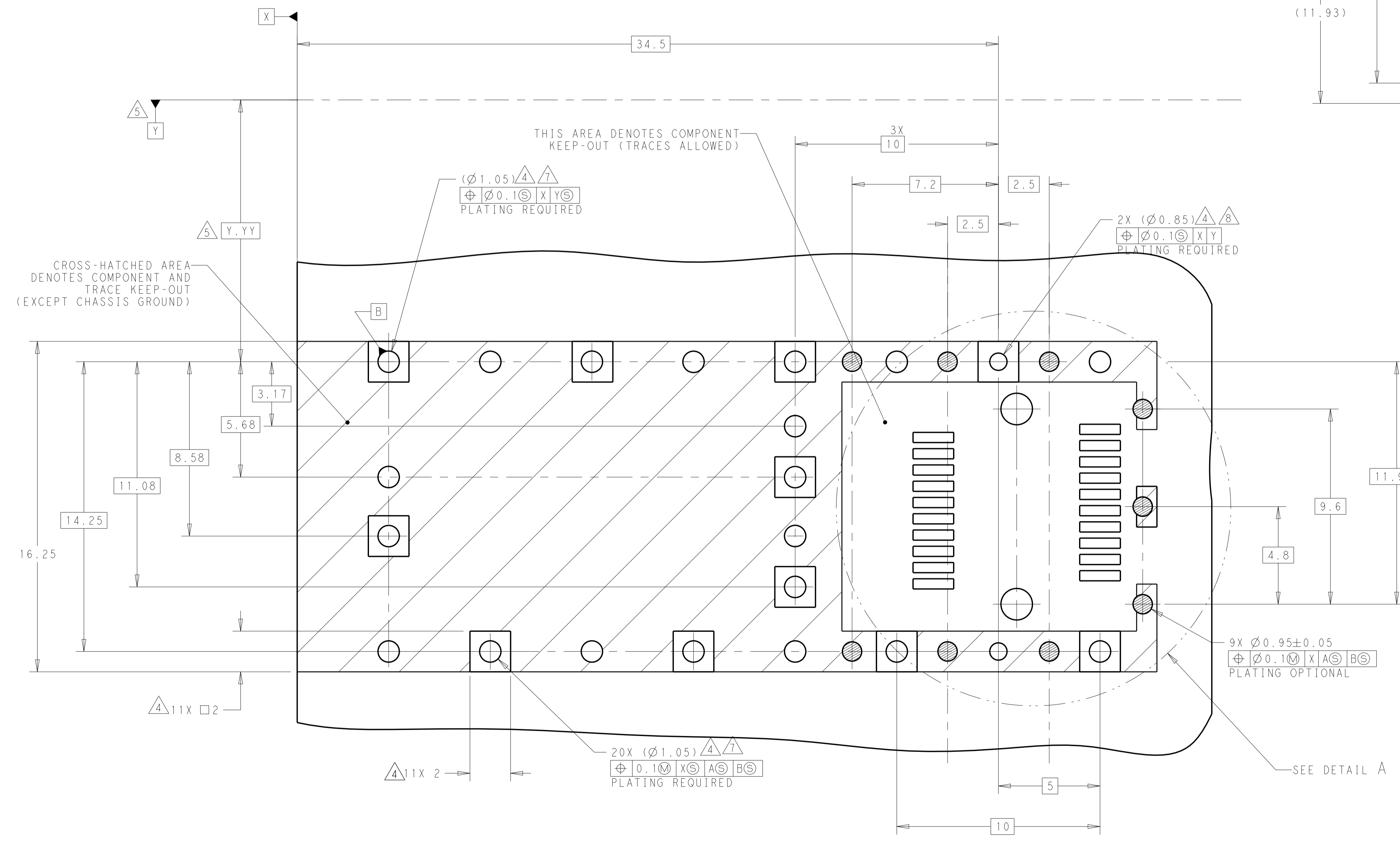
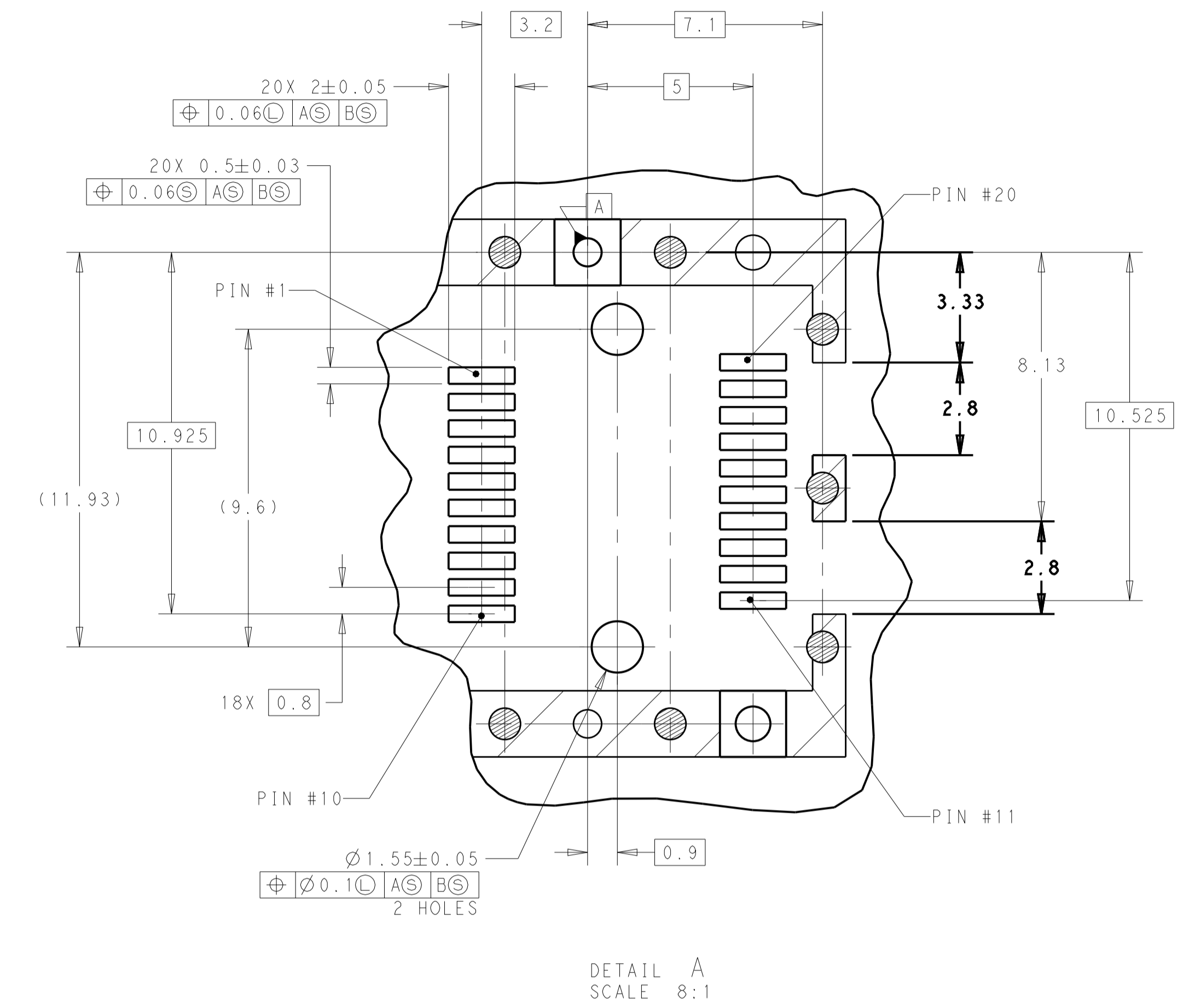
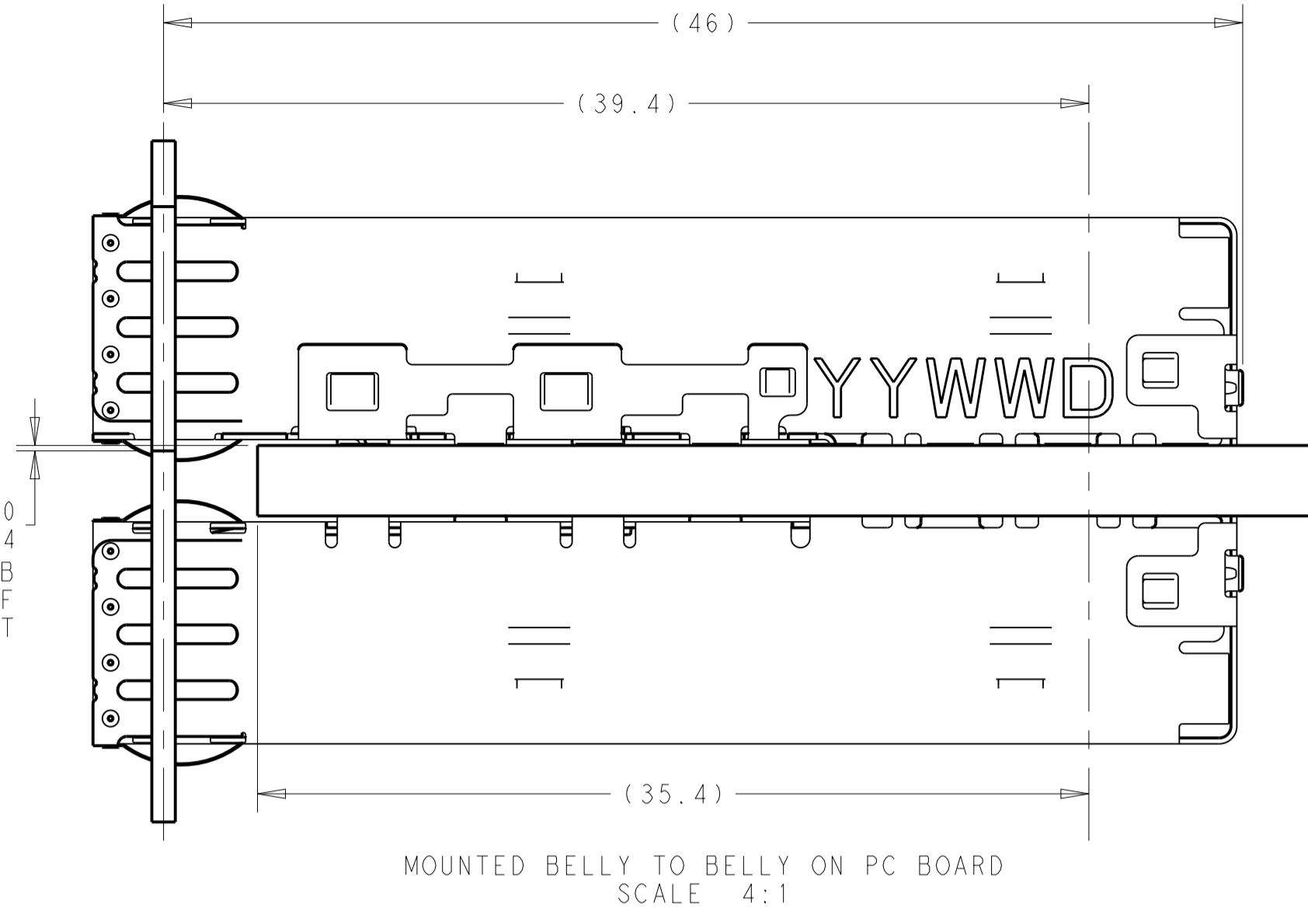
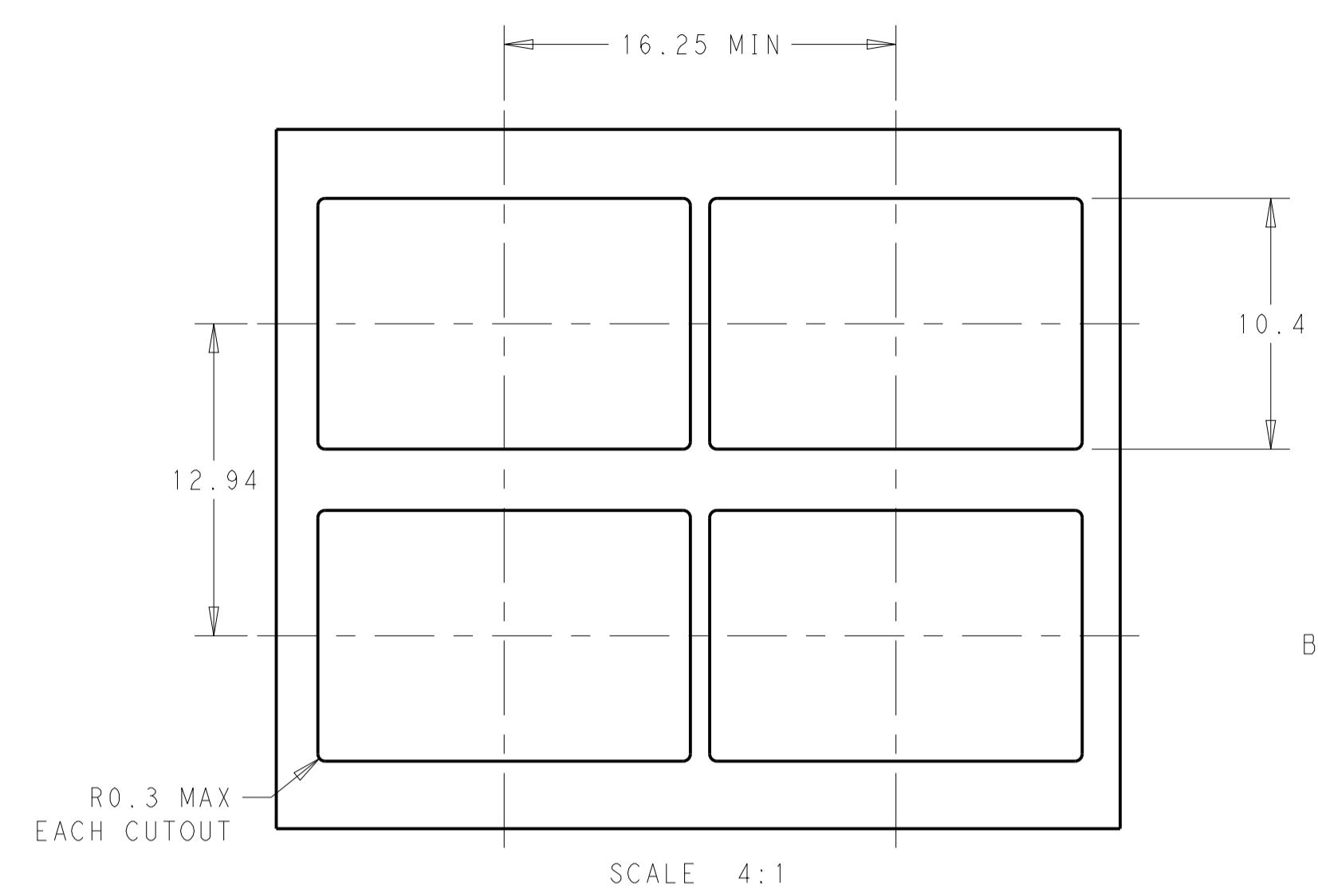
REVISIONS		DATE	BY	APPD
1	SEE SHEET 1			



RECOMMENDED PCB LAYOUT FOR WITH INSULATING TAPE PART
 SCALE 8:1

THIS DRAWING IS A CONTROLLED DOCUMENT.		OWN: CHARLES WAN 24DEC2014	TE Connectivity
DIMENSIONS: 1 IN		CHK: SEAN HAN 24DEC2014	
TOLERANCES UNLESS OTHERWISE SPECIFIED:		APPD: SEAN HAN 24DEC2014	NAME: SFP+ 1X1 CAGE ASSEMBLY, PRESS-FIT PRESS-FIT, EMI SPRINGS PRODUCT SPEC: 108-2364 APPLICATION SPEC: 114-13120
0 PLC ± 0.1 1 PLC ± 0.1 2 PLC ± 0.1 3 PLC ± 0.05 4 PLC ± 0.05 ANGLES ± 0.5		CUSTOMER DRAWING SCALE: 2:1 SHEET 4 OF 5 REV B	
MATERIAL: FINISH:		WEIGHT:	SIZE: A100779 C=2170680 RESTRICTED TO:

REVISONS		DATE	OWN	APVD
LOC	DIST	DESCRIPTION		
		SEE SHEET 1		



THIS DRAWING IS A CONTROLLED DOCUMENT.		OWN: CHARLES WAN 24DEC2014	TE Connectivity
DIMENSIONS: IN		CHK: SEAN HAN 24DEC2014	
TOLERANCES UNLESS OTHERWISE SPECIFIED:		APVD: SEAN HAN 24DEC2014	NAME: SFP+ 1X1 CAGE ASSEMBLY, PRESS-FIT PRESS-FIT, EMI SPRINGS
0 PLC ±0.1		PRODUCT SPEC: 108-2364	SIZE: A100779
1 PLC ±.1		APPLICATION SPEC: 114-13120	CAGE CODE: C=2170680
2 PLC ±.1		WEIGHT: -	RESTRICTED TO: -
3 PLC ±.05		CUSTOMER DRAWING	SCALE: 1:1
4 PLC ±.05			SHEET 5 OF 5
ANGLES ±.05			REV B

X-ON Electronics

Largest Supplier of Electrical and Electronic Components

Click to view similar products for [I/O Connectors](#) category:

Click to view products by [TE Connectivity](#) manufacturer:

Other Similar products are found below :

[571763P](#) [72.250.1628.2](#) [72.250.2428.2](#) [74720-0505](#) [76.350.0729.0](#) [76871-1403](#) [FCN-244F080-G/1](#) [FCN-260A9920](#) [MP-5T180MUNNA-005](#)
[PCR-E36PM](#) [PCS-XE26MA+](#) [G38A71314B](#) [1571250010](#) [157-22500-3](#) [MS3471L14-19P L/C](#) [91-569786-35H](#) [172501-4002](#) [172501-6002](#)
[FCN-260C008-A/L0](#) [FCN-260C024-AL0](#) [FCN-261Z008](#) [2000314-1](#) [200331-1](#) [PCR-E36FC+](#) [PCS-E28FS+](#) [PCS-XE26SLFD+](#) [PCS-](#)
[XE26SLFDT+](#) [G730VID08BDC24](#) [U90B2054081210](#) [UE86K842720321](#) [38113800006](#) [DP3AR020WQ1R200](#) [Z4.102.0680.0](#) [500-1040](#)
[500-1052](#) [500-1054](#) [ZP-4008-66L](#) [0709821002](#) [10-565995-597N](#) [DX40-20P\(55\)](#) [5554841-1](#) [MS3474W18-8P-LC*](#) [U90B3054061110](#) [U65-](#)
[E04-4020](#) [ZPF000000000097891](#) [557-262M2-06C](#) [747360449](#) [10099439-003C-TRLF](#) [10137239-0021LF](#) [E9320-001-01](#)