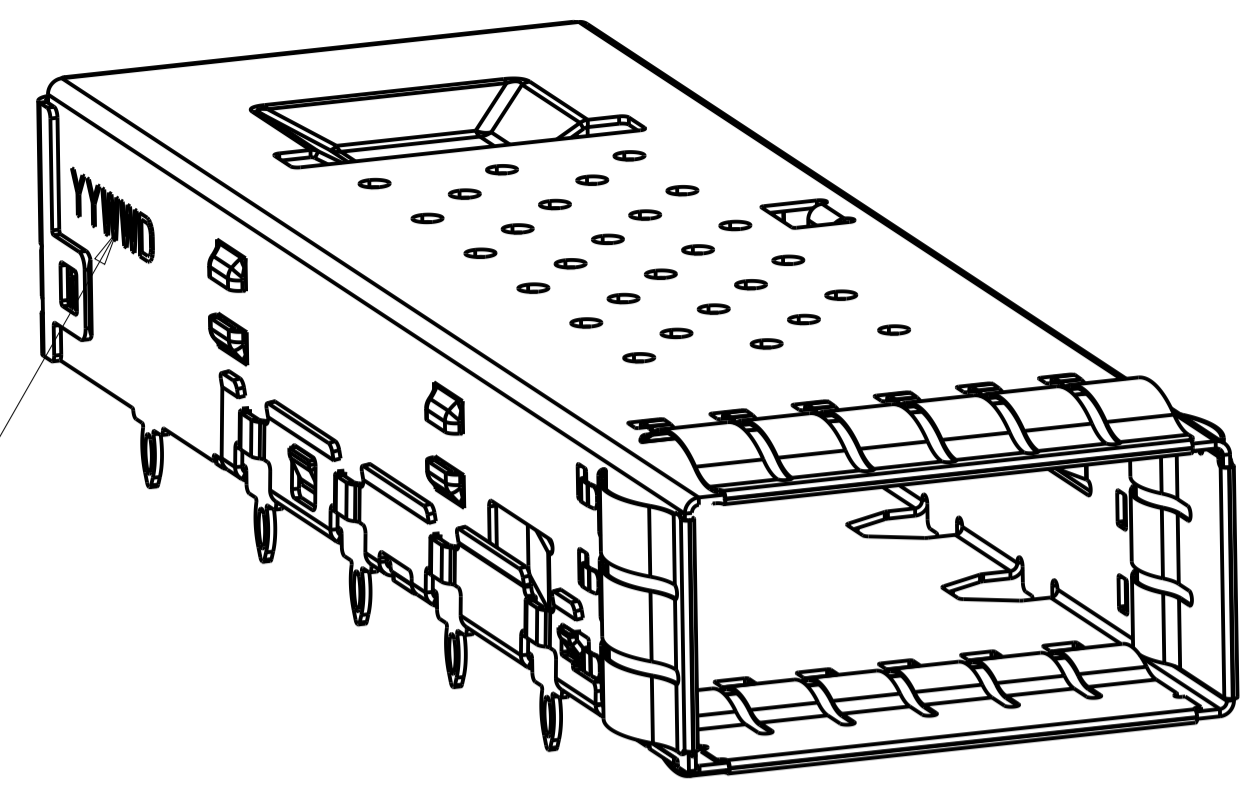
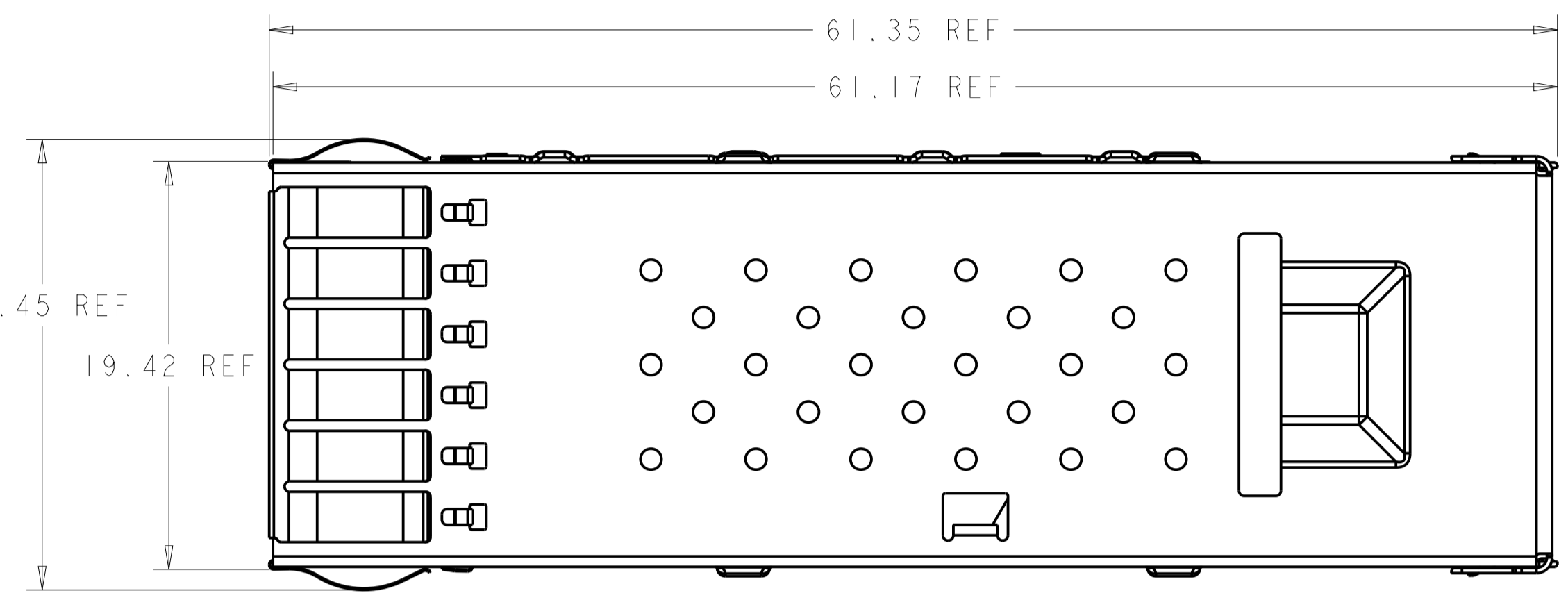


REVISIONS					
#	LTN	DESCRIPTION	DATE	DWN	APVD
A		INITIAL RELEASE	29JAN2016	JY	SH
B		REVISED PER ECO-16-015248	24OCT2016	JY	SH
C1		REVISED PER ECO-20-002129	14FEB2020	VM	SH
D1		REVISED PER ECN-21-104118	17MAY2021	SH	SZ



SCALE 4:1



- 1. MATERIAL:
CAGE MATERIAL : 0.25 THICK NICKEL SILVER.
SPRING MATERIAL: COPPER ALLOY
PURE COPPER FOIL: CONDUCTIVE, ADHESIVE

- 2. FINISH:
SPRING: NICKEL PLATING
- 3. MATES WITH QSFP28 MSA COMPATIBLE TRANSCEIVER.

REFERENCE APPLICATION SPEC 114-32023 FOR RECOMMENDED DRILL HOLE DIAMETER AND PLATING THICKNESS.

DATUM AND BASIC DIMENSIONS ESTABLISHED BY CUSTOMERS.

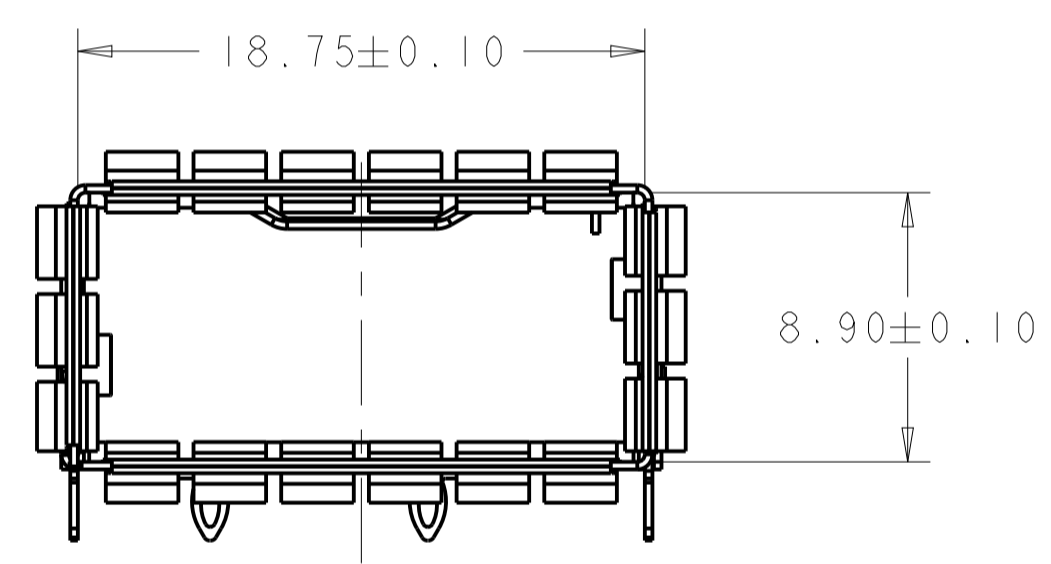
- 6. MINIMUM PC BOARD THICKNESS: SINGLES SIDED: 1.57 MIN
DOUBLE SIDED: 2.20 MIN

DATUM -A- IS TOP SURFACE OF THE HOST BOARD.

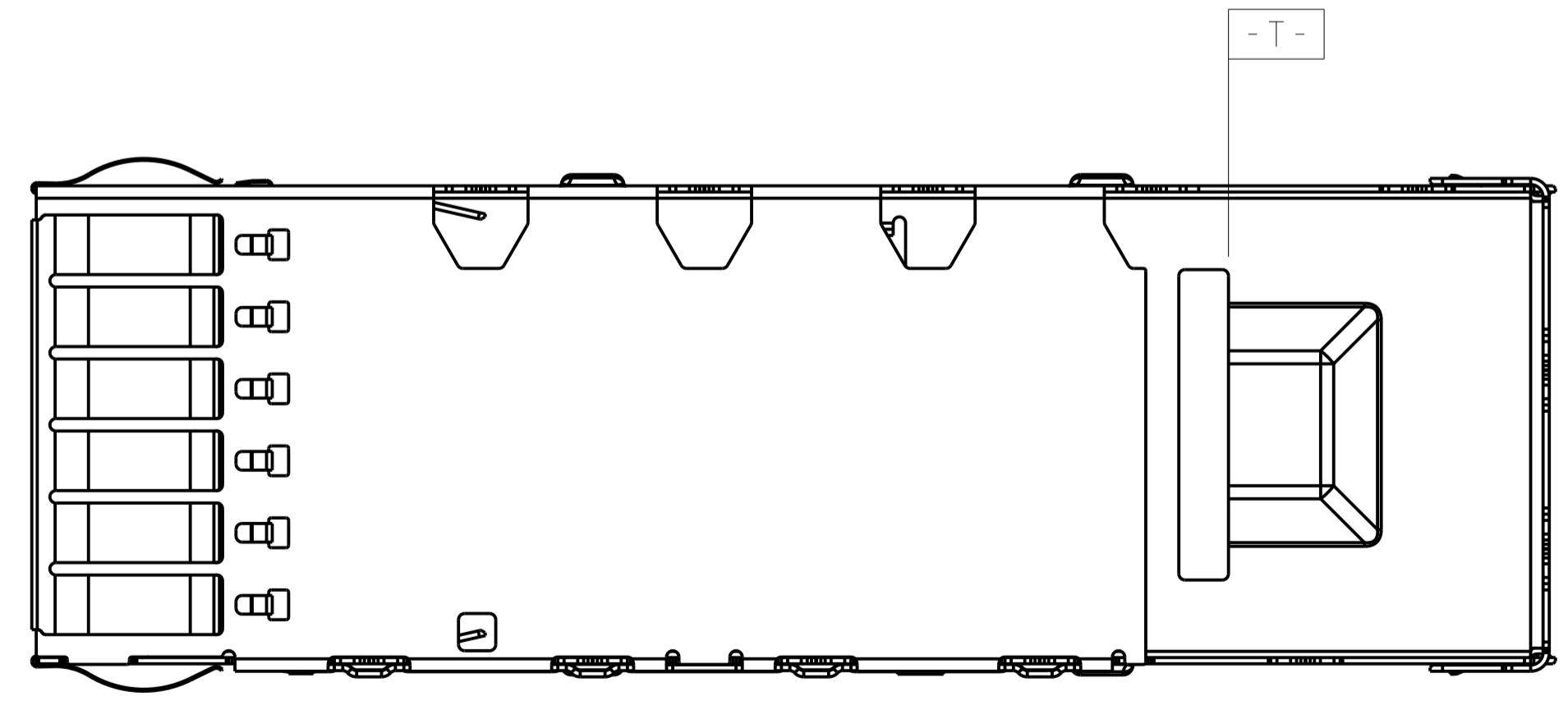
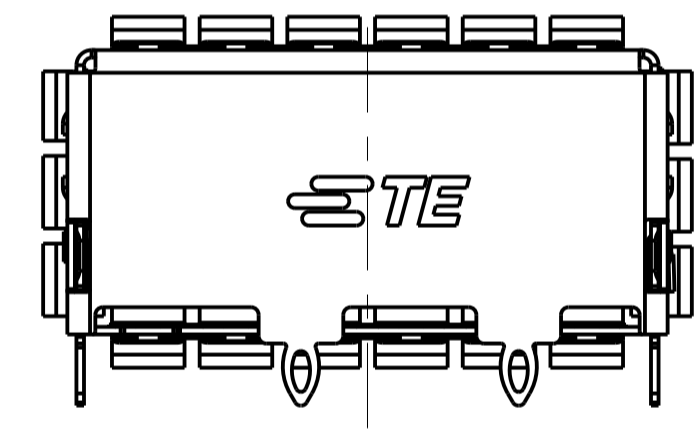
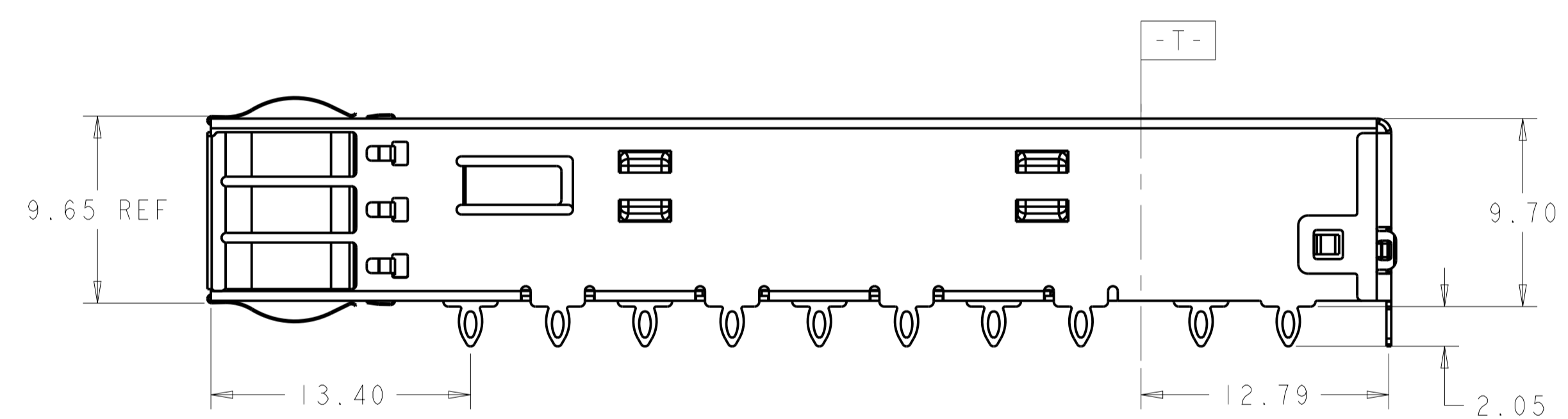
DATE CODE (YYWWD) MARKED APPROXIMATELY AS SHOWN

CUSTOMIZED SCHLEGEL GAP PAD.OP-8800.

CUSTOMIZED PACKING TRAY.



SCALE 4:1



WITHOUT	WITHOUT	WITH	WITH	1	WITHOUT	6-2170703-4
WITH	WITHOUT	WITH	WITHOUT	1	WITHOUT	1-2170703-4
WITHOUT	WITH	WITH	WITHOUT	1	WITH LARGER	4-2170703-6
WITHOUT	WITHOUT	WITH	WITH	0	WITH LARGER	2-2170703-9
WITHOUT	WITHOUT	WITH	WITH	1	WITH LARGER	2-2170703-8
WITHOUT	WITHOUT	WITH	WITHOUT	2	WITH LARGER	1-2170703-0
WITHOUT	WITHOUT	WITH	WITH	1	WITHOUT	5-2170703-4
WITHOUT	WITHOUT	WITH	WITH	2	WITH STANDARD	5-2170703-2
WITHOUT	WITHOUT	WITHOUT	WITHOUT	0	WITH STANDARD	2-2170703-7
WITHOUT	WITHOUT	WITH	WITHOUT	1	WITH LARGER	2-2170703-6
WITHOUT	WITHOUT	WITH	WITHOUT	0	WITH STANDARD	2170703-7
WITHOUT	WITHOUT	WITH	WITHOUT	1	WITH STANDARD	2170703-6
WITHOUT	WITHOUT	WITH	WITHOUT	0	WITHOUT	2170703-5
WITHOUT	WITHOUT	WITH	WITHOUT	1	WITHOUT	2170703-4
WITHOUT	WITHOUT	WITH	WITHOUT	2	WITH STANDARD	2170703-2
WITHOUT	WITHOUT	WITH	WITHOUT	2	WITHOUT	2170703-1
COPPER FOIL	THERMAL PAD	SPRING FINGER	INSULATING TAPE OPTION	# REAR PINS	HEAT SINK OPEN	PART NUMBER

THIS DRAWING IS A CONTROLLED DOCUMENT. DWN: JASON YANG 23SEP2013
CHK: SEAN HAN 29JAN2016

DIMENSIONS: mm
TOLERANCES UNLESS OTHERWISE SPECIFIED:
0 PLC ± 0.25
1 PLC ± 0.25
2 PLC ± 0.25
3 PLC ± 0.25
4 PLC ± 0.100
ANGLES ±

MATERIAL: -
FINISH: -

PRODUCT SPEC: 108-19428
APPLICATION SPEC: 114-32023
WEIGHT: -
RESTRICTED CUSTOMER

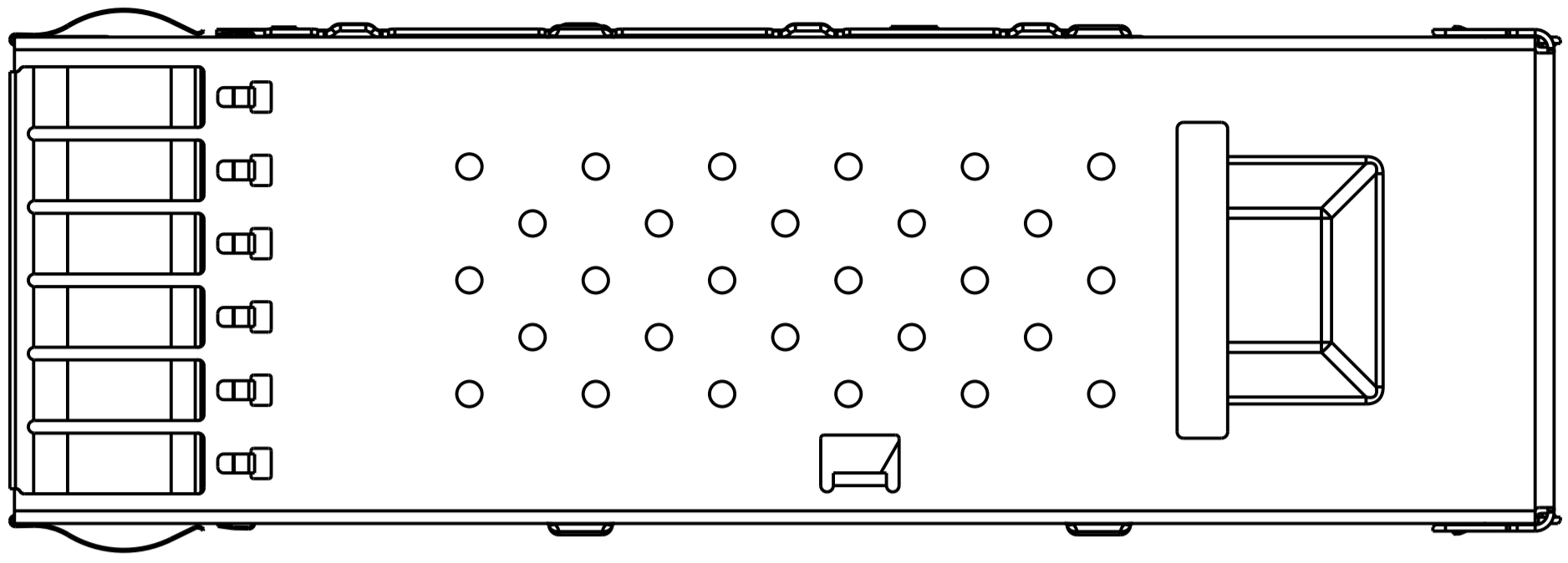
APVD: -
NAME: CAGE ASSEMBLY, QSFP28 1X1 THRU BEZEL WITH EMI SPRING FINGER
SIZE: A1
CAGE CODE: 00779
DRAWING NO: 2170703
RESTRICTED TO: -

SCALE: 2:1
SHEET: 1 OF 7
REV: D1

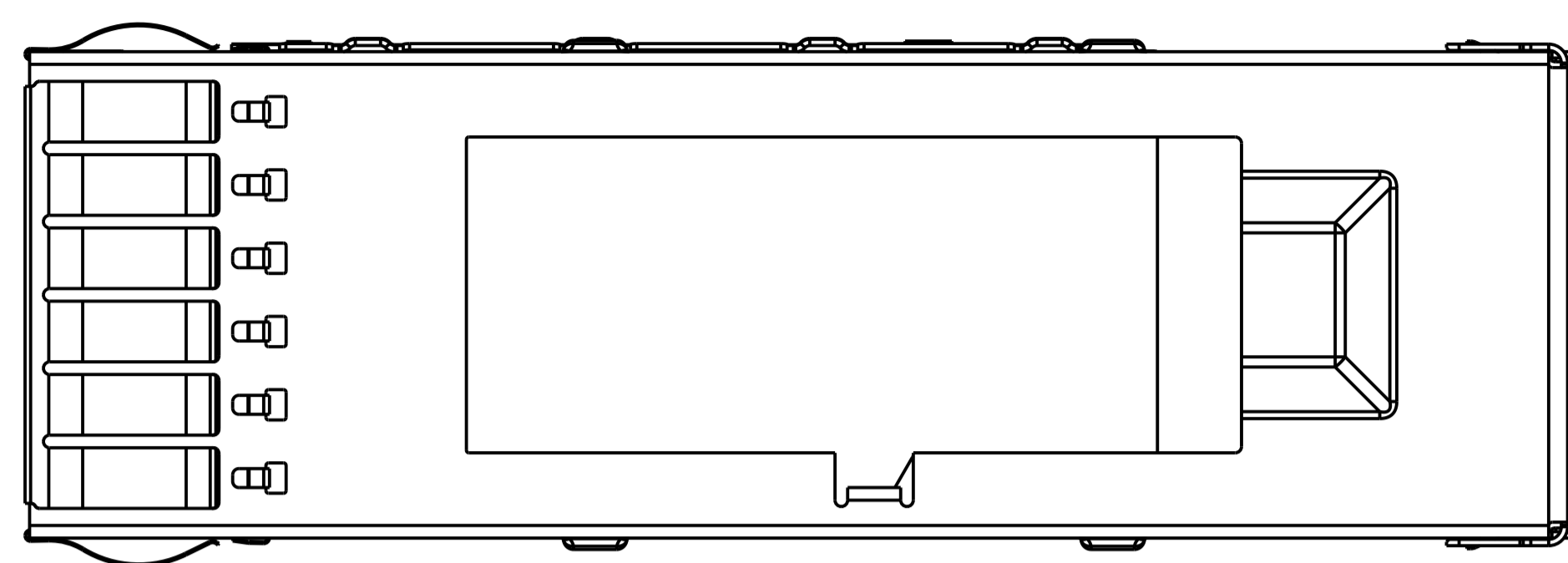
2170703-1 AS SHOWN

REVISIONS				
P.	LTN	DESCRIPTION	DATE	APVD
-	-	SEE SHEET 1	-	-

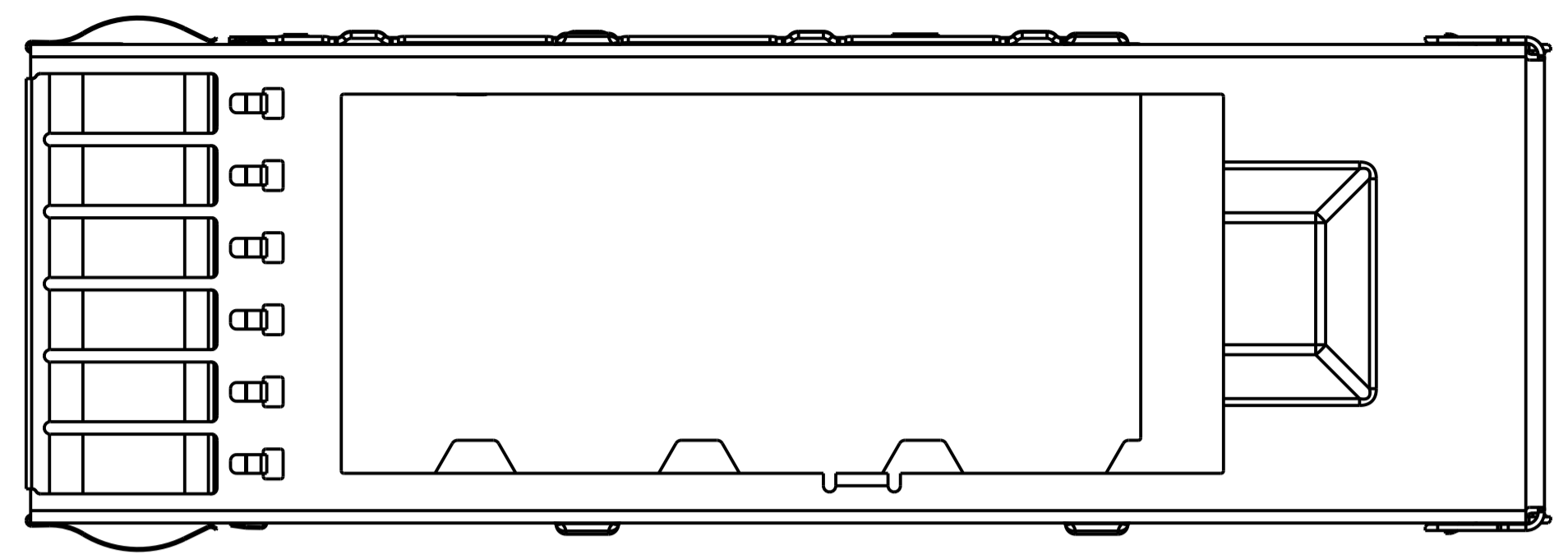
HEAT SINK OPEN OPTIONS



WITHOUT HEAT SINK OPEN
SCALE 4:1

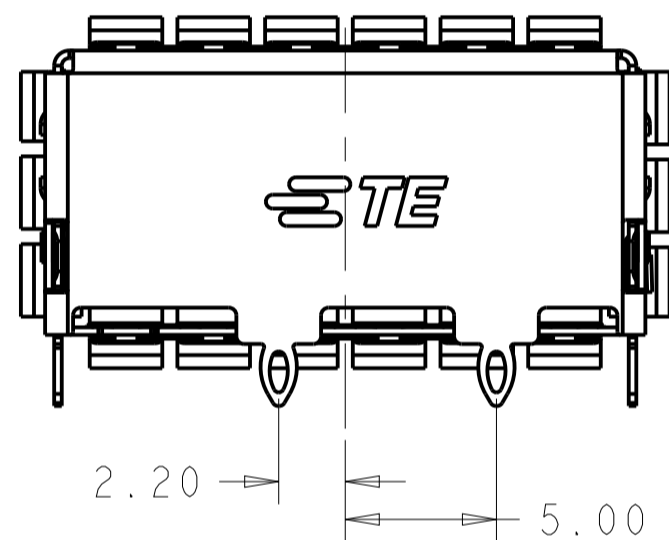


WITH STANDARD HEAT SINK OPEN (30.7X12.5)
SCALE 4:1

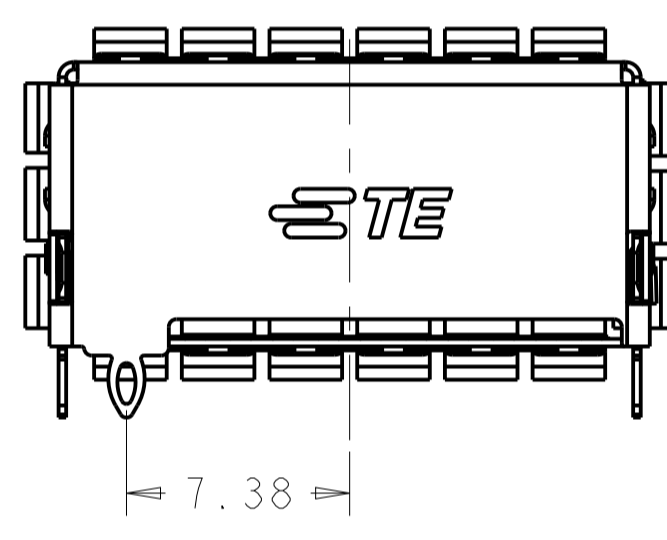


WITH LARGER HEAT SINK OPEN (35.5X15.25)
SCALE 4:1

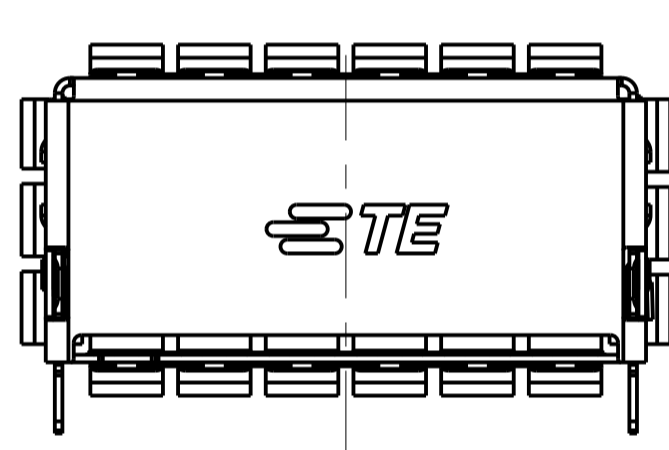
OF REAR LEGS OPTIONS



2 REAR LEGS VERSION
SCALE 4:1

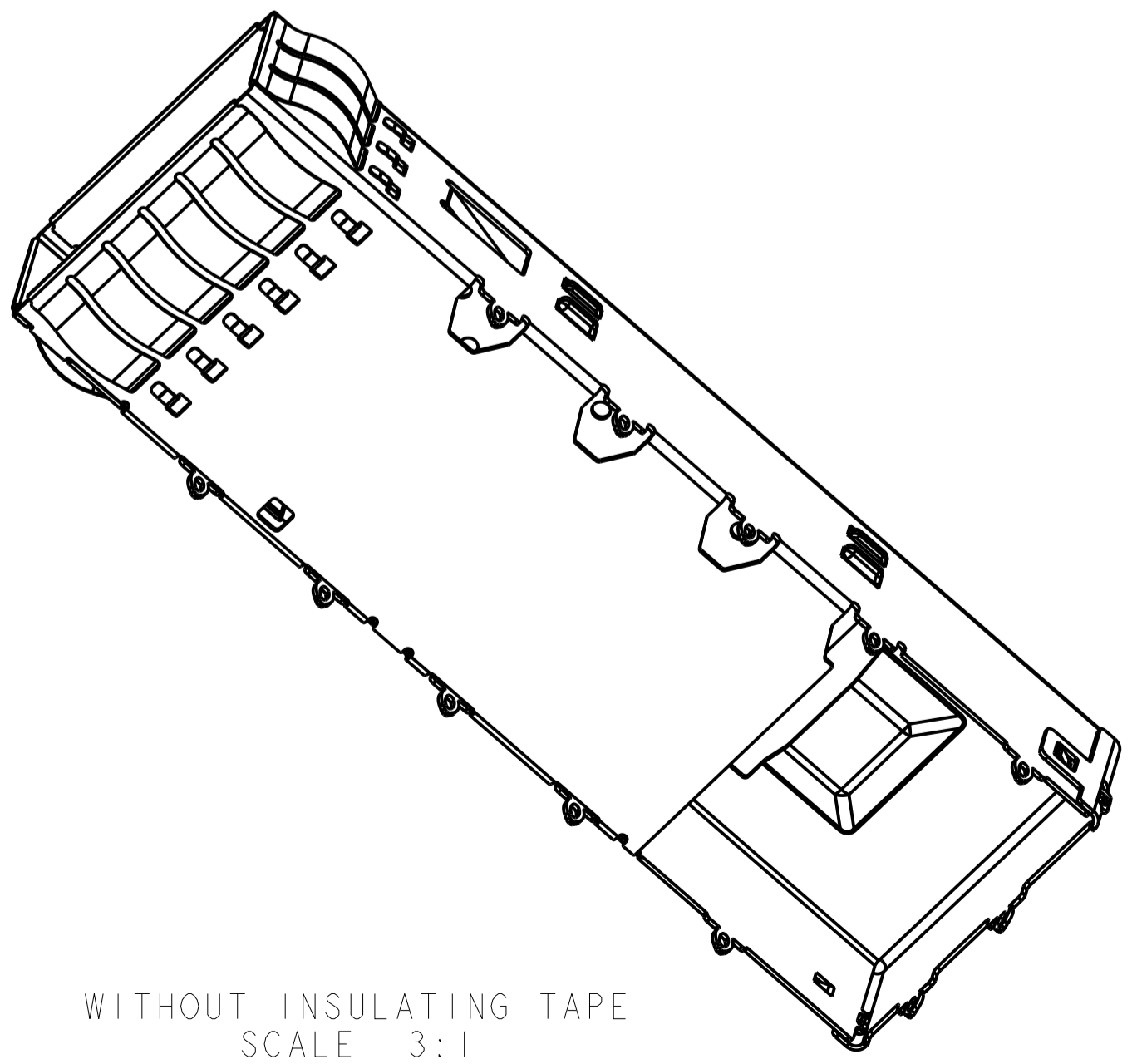


1 REAR LEG VERSION
SCALE 4:1

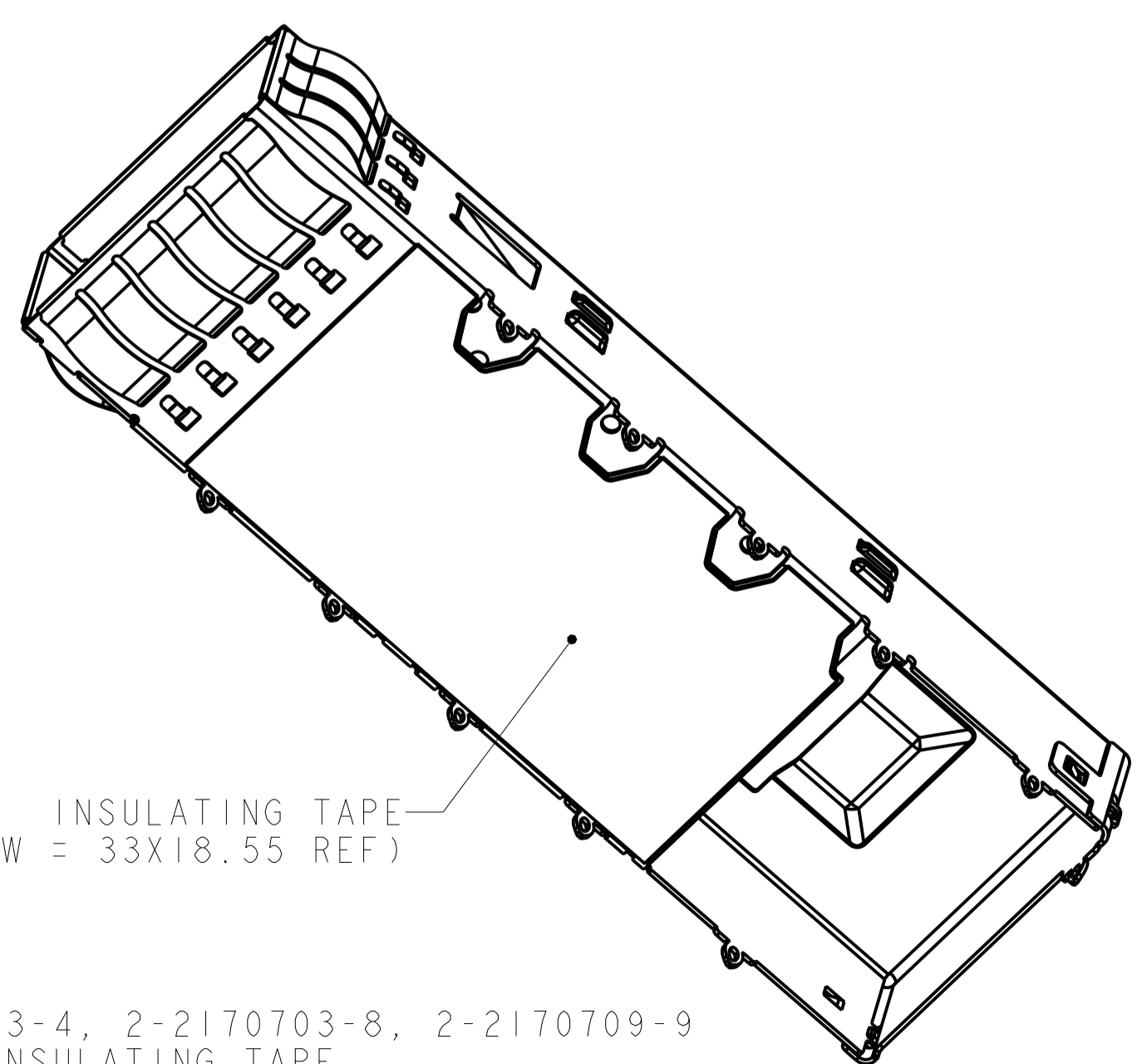


0 REAR LEG VERSION
SCALE 4:1

INSULATING TAPE OPTIONS



WITHOUT INSULATING TAPE
SCALE 3:1

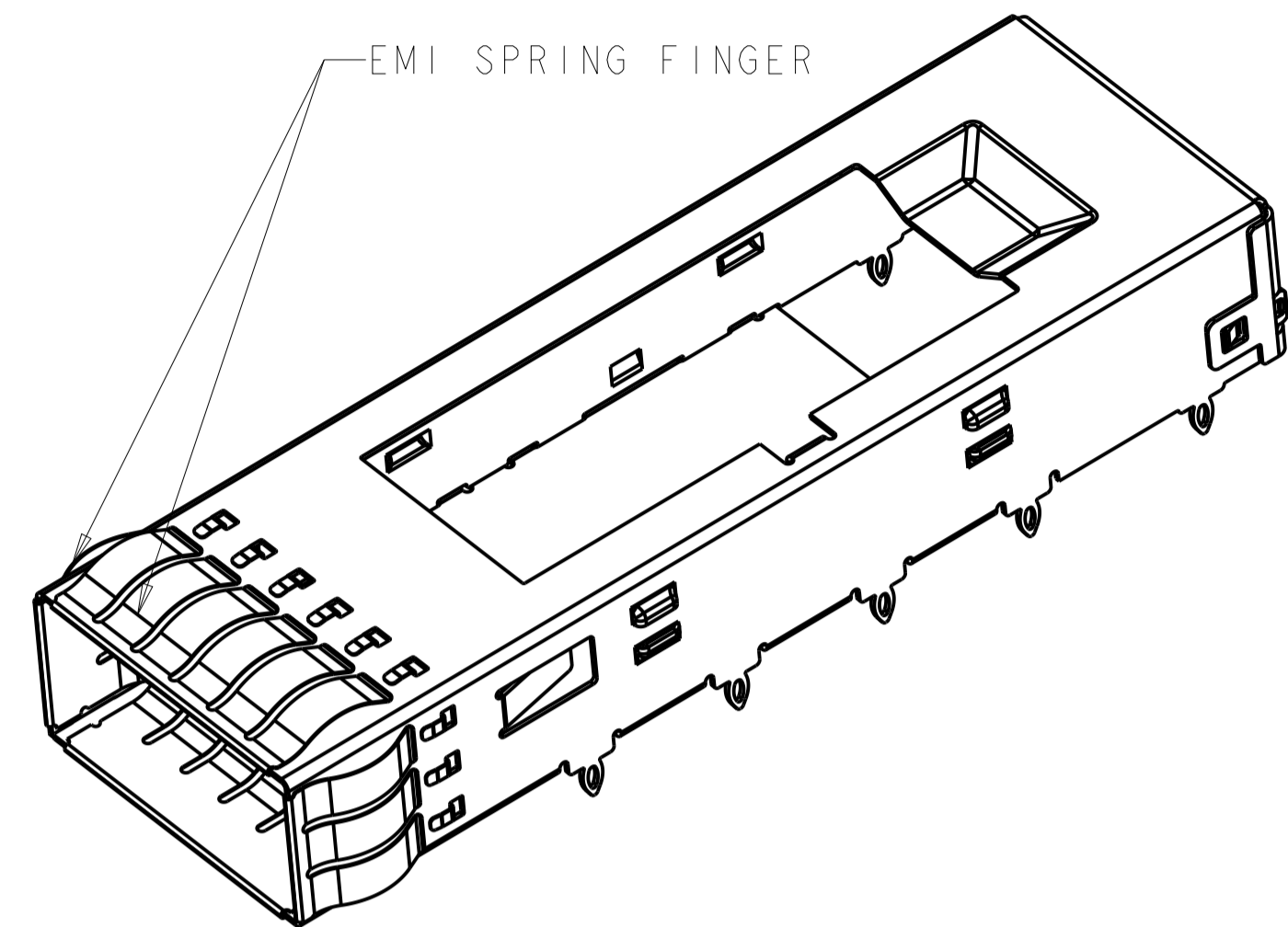


5-2170703-2, 5-2170703-4, 2-2170703-8, 2-2170709-9
WITH INSULATING TAPE
SCALE 3:1

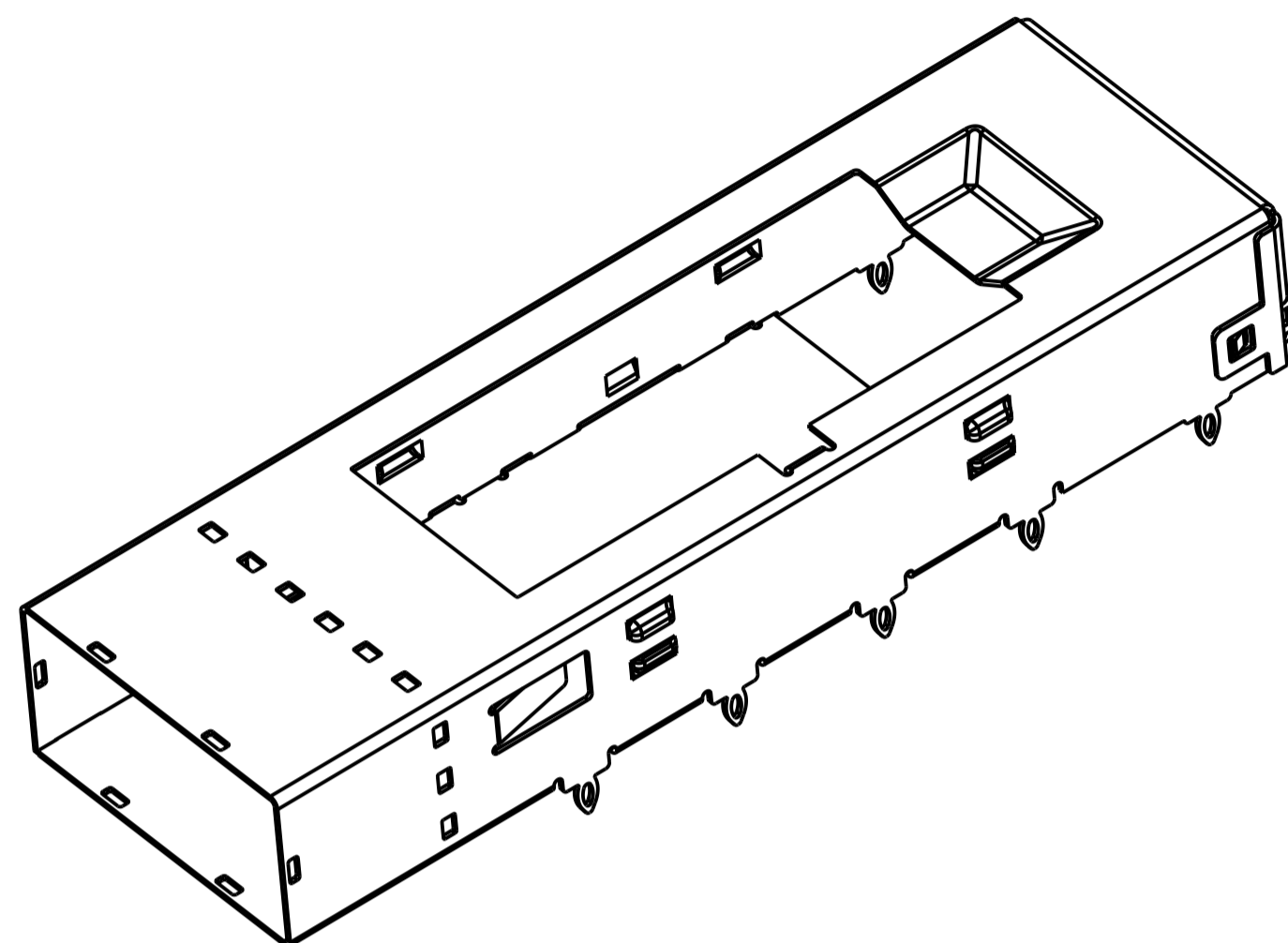
THIS DRAWING IS A CONTROLLED DOCUMENT.		DWN: JASON YANG 23SEP2013	TE Connectivity
		CHK: SEAN HAN 29JAN2016	
DIMENSIONS:		PRODUCT SPEC: 108-19428 APPLICATION SPEC: 114-32023	
mm	0 PLC ± 0.25 1 PLC ± 0.25 2 PLC ± 0.20 3 PLC ± 0.20 4 PLC ± 0.100	NAME: CAGE ASSEMBLY, QSFP28 1X1 THRU BEZEL WITH EMI SPRING FINGER SIZE: A 00779 C= 2170703 RESTRICTED TO: RESTRICTED CUSTOMER	
MATERIAL:		WEIGHT:	SCALE: 2:1 SHEET 2 OF 7 REV: D1

SPRING FINGER OPTIONS

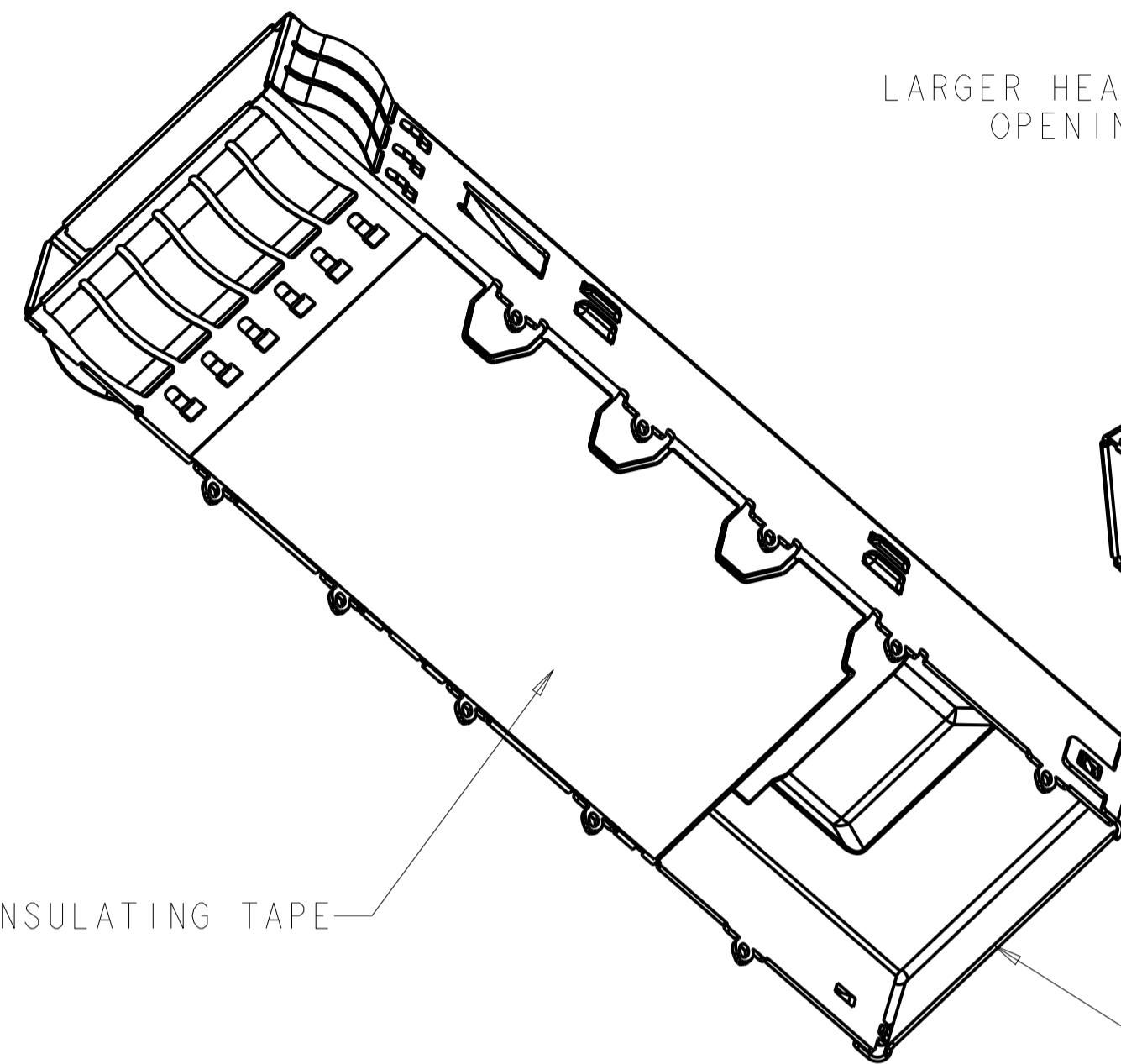
REVISIONS				
P.	LTN	DESCRIPTION	DATE	APVD
-	-	SEE SHEET 1	-	-



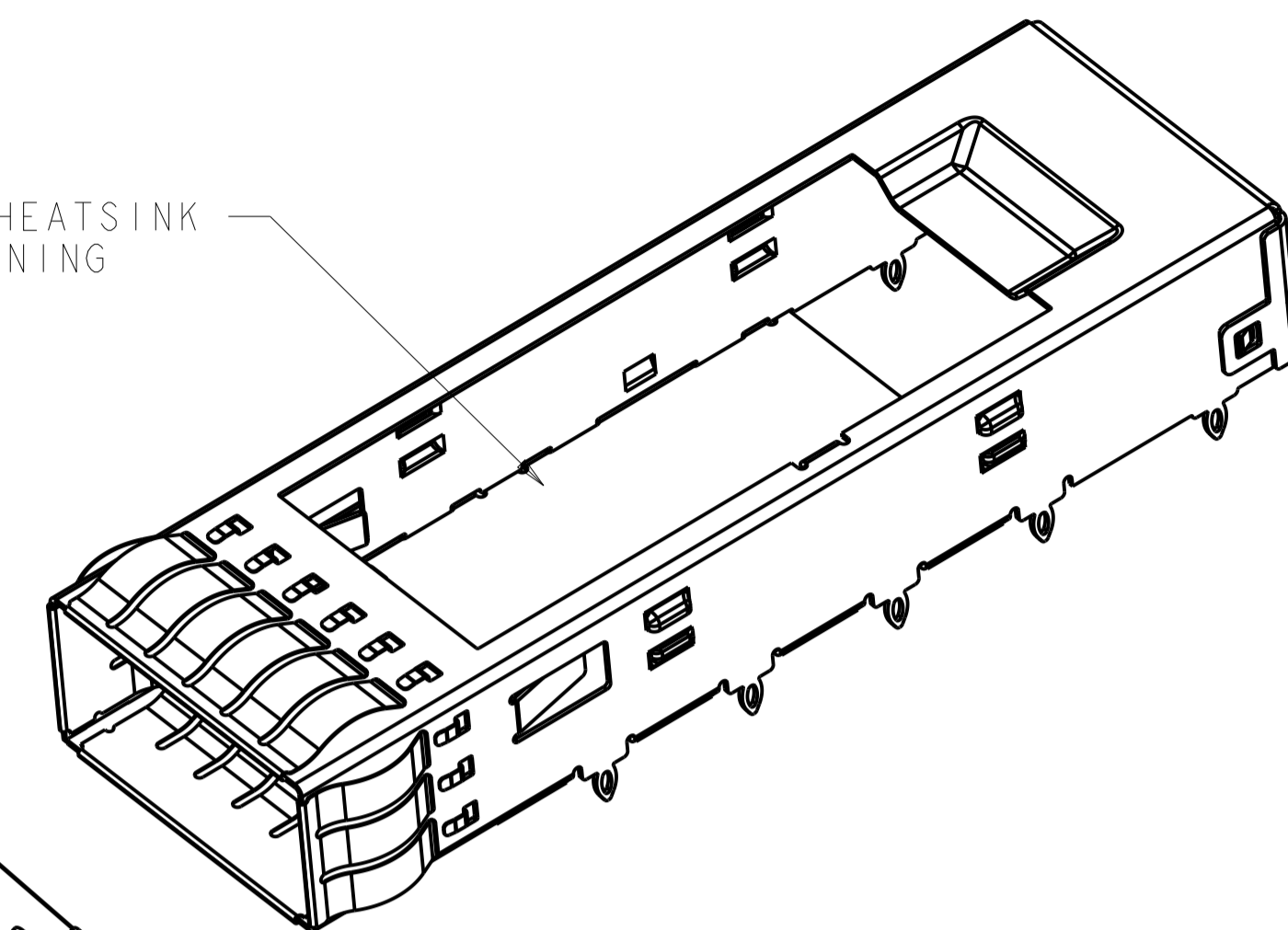
WITH EMI SPRING FINGER
SCALE 3:1



2-2170703-7
WITHOUT EMI SPRING FINGER
SCALE 3:1

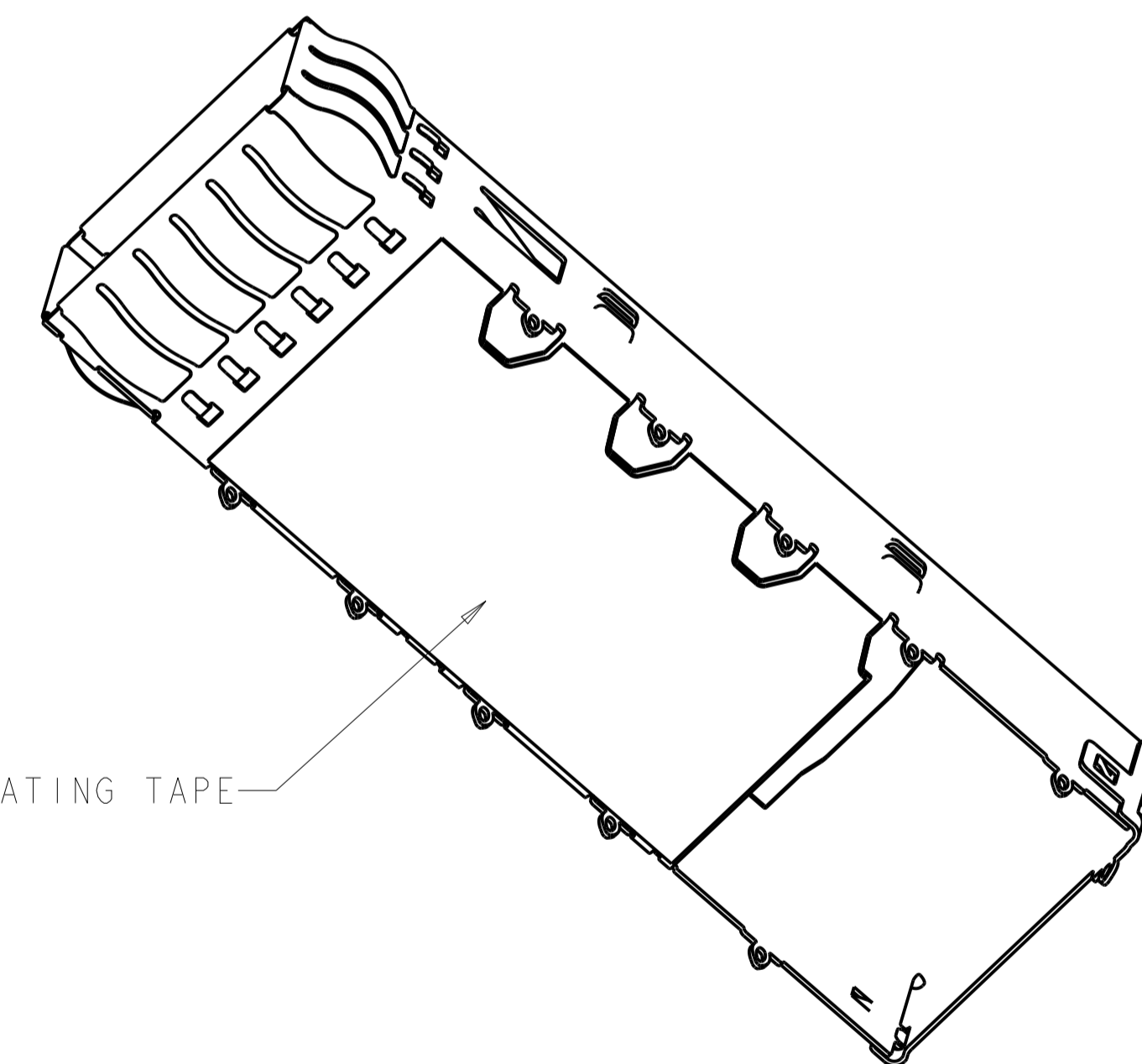
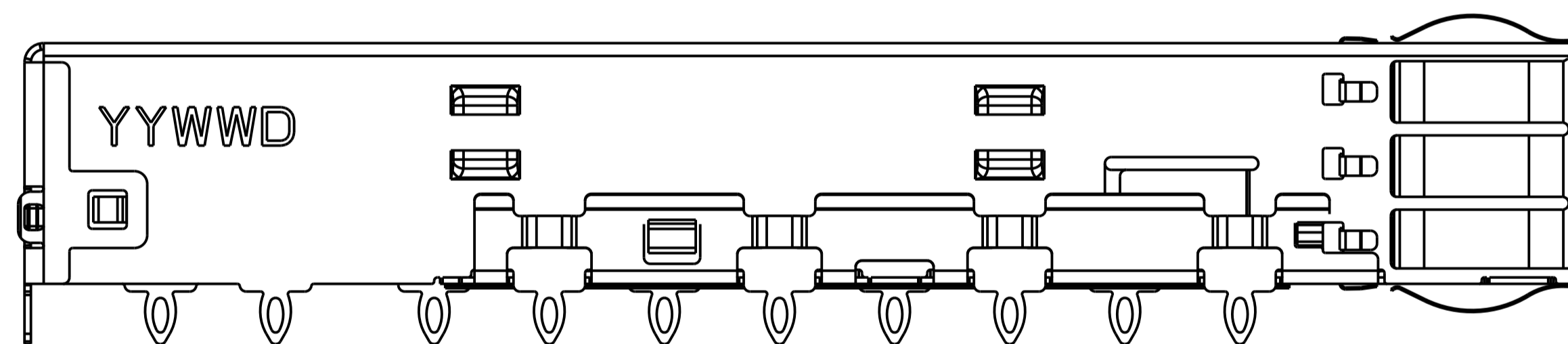
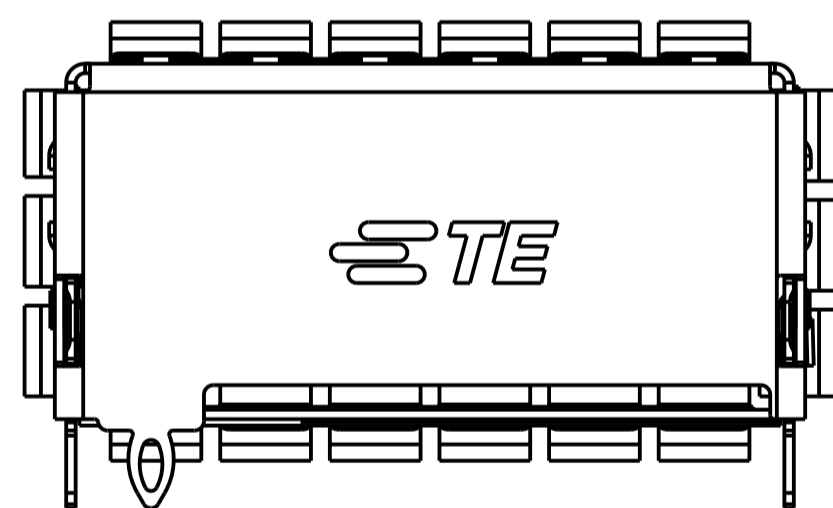


INSULATING TAPE
SCALE 3:1

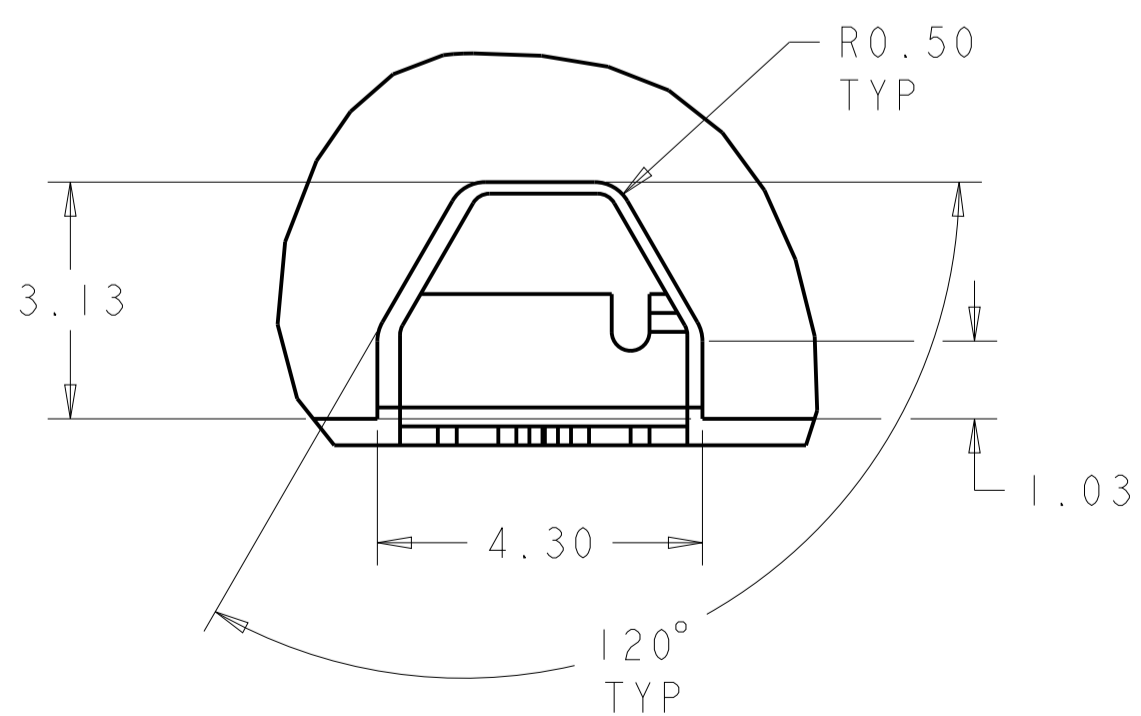


LARGER HEATSINK
OPENING
SCALE 3:1
WITHOUT REAR EONS

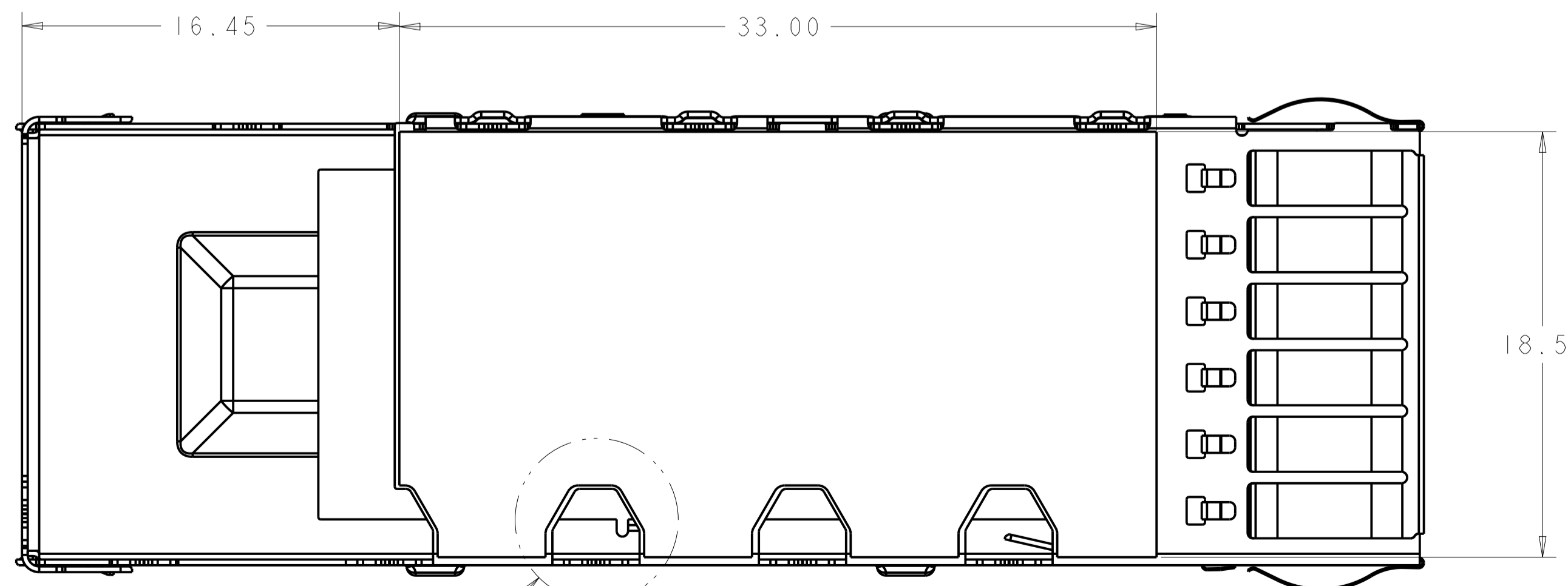
2-2170703-8



INSULATING TAPE
SCALE 3:1



DETAIL A
SCALE 10:1

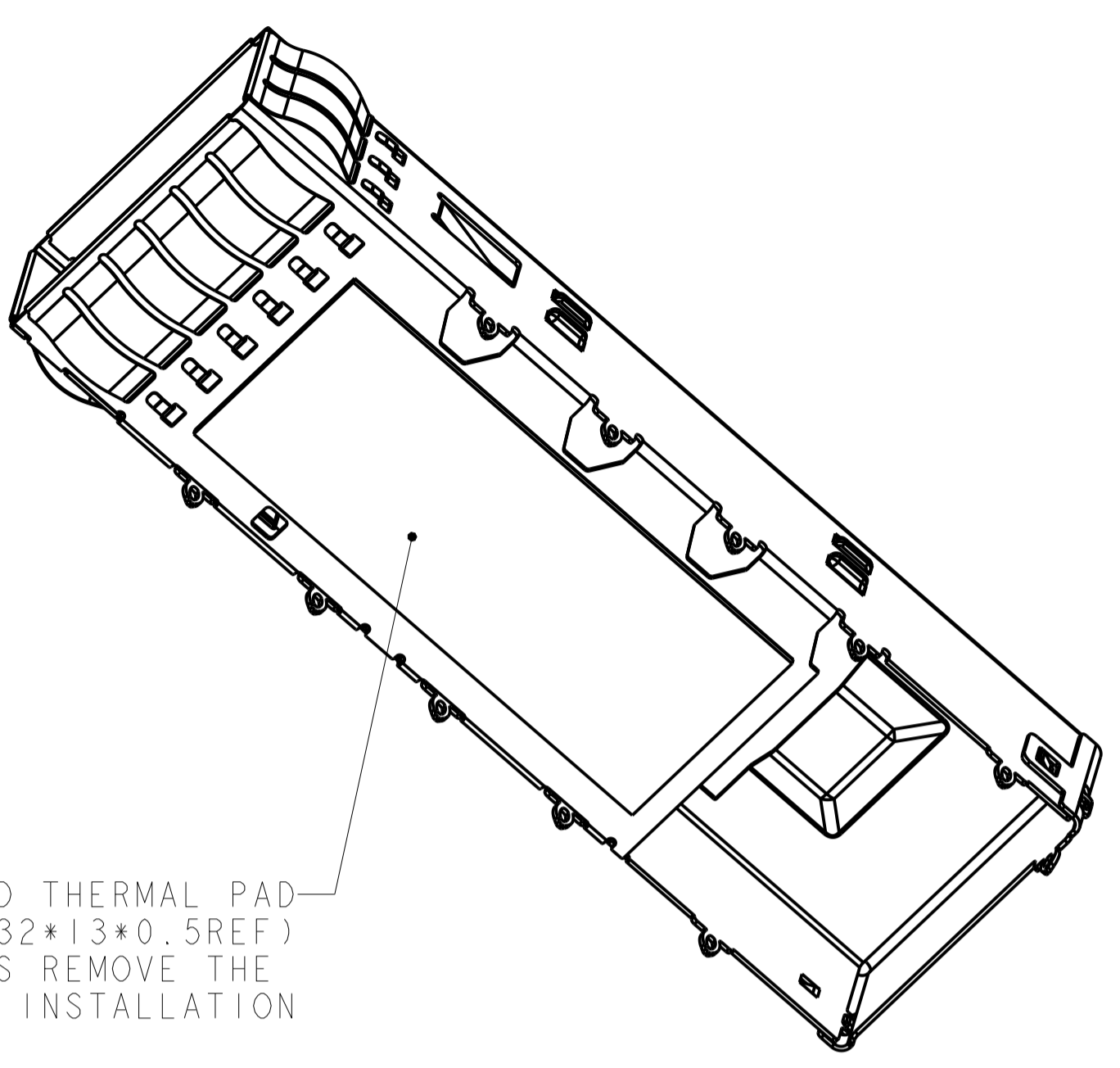


SEE DETAIL A

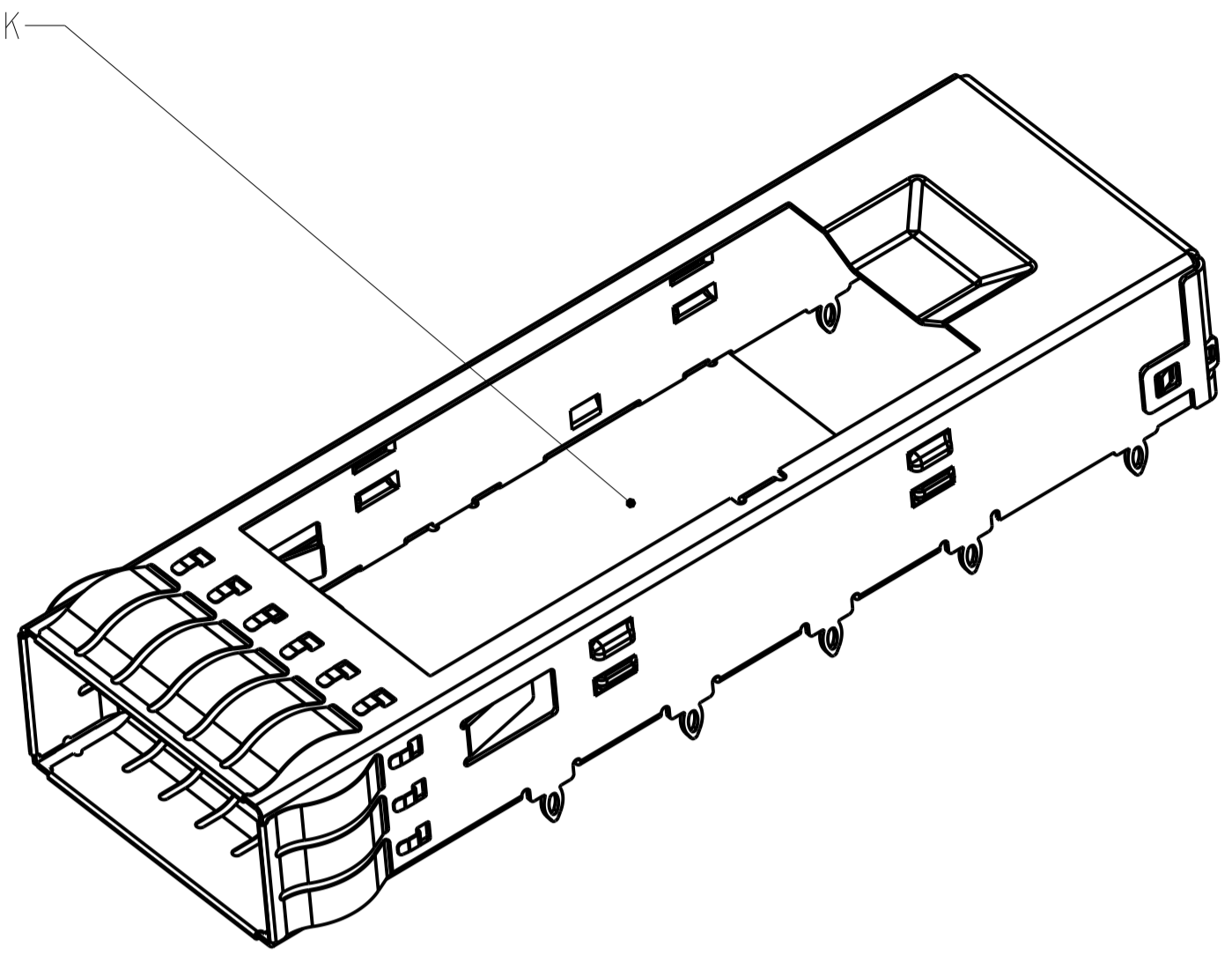
NOTE: 2-2170703-8 DIMENSIONS MARKED ARE FOR INSULATING TAPE

THIS DRAWING IS A CONTROLLED DOCUMENT.		OWN: JASON YANG 23SEP2013	TE Connectivity
		CHK: SEAN HAN 29JAN2016	
DIMENSIONS:	TOLERANCES UNLESS OTHERWISE SPECIFIED:	PRODUCT SPEC	NAME
mm	0 PLC ± 0.25	108-19428	CAGE ASSEMBLY, OSFP28 1X1 THRU
	1 PLC ± 0.25	APPLICATION SPEC	BEZEL WITH EMI SPRING FINGER
	2 PLC ± 0.20	114-32023	SIZE
	3 PLC ± 0.100		CAGE CODE
	4 PLC ±		DRAWING NO
	ANGLES		RESTRICTED TO
MATERIAL	FINISH	WEIGHT	A100779
			2170703
		RESTRICTED CUSTOMER	SCALE 2:1 SHEET 3 OF 7 REV D1

REVISIONS				
REV	DATE	DESCRIPTION	BY	APPV
-	-	SEE SHEET 1	-	-

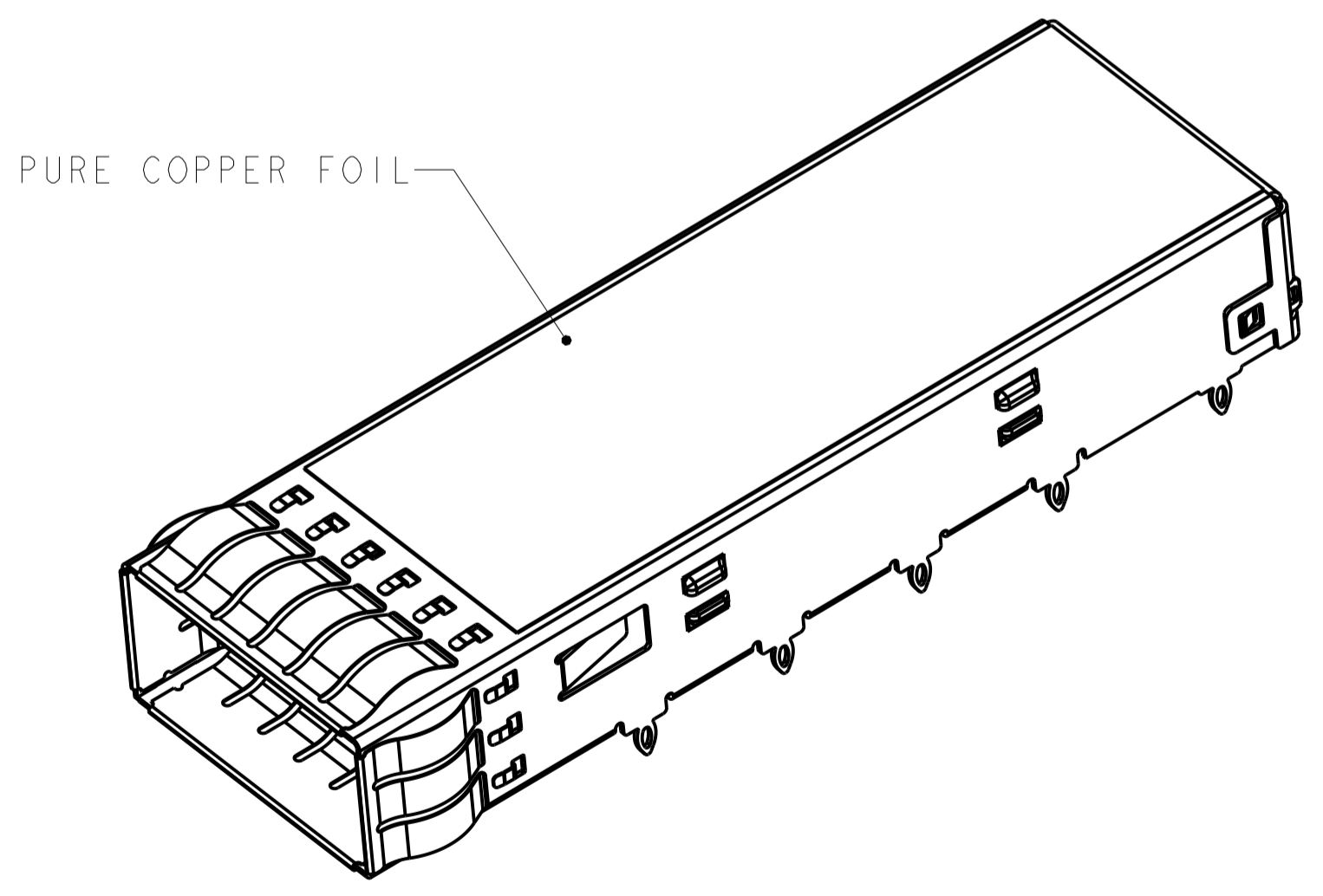


SCALE 3:1

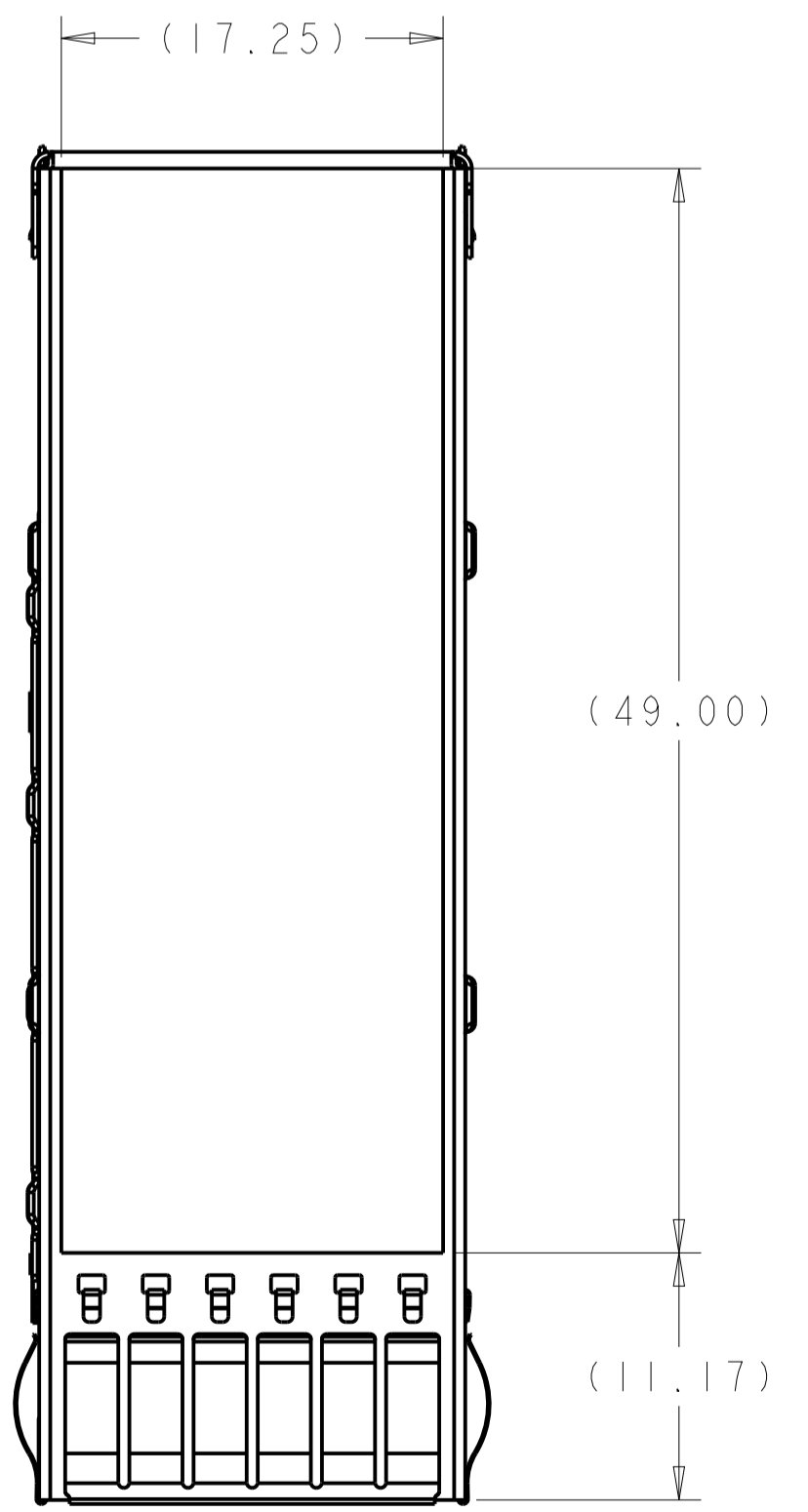


4-2170703-6 AS SHOWN
SAME AS 2-2170703-6 EXCEPT WITH THERMAL PAD
SCALE 3:1

PURE COPPER FOIL OPTIONS



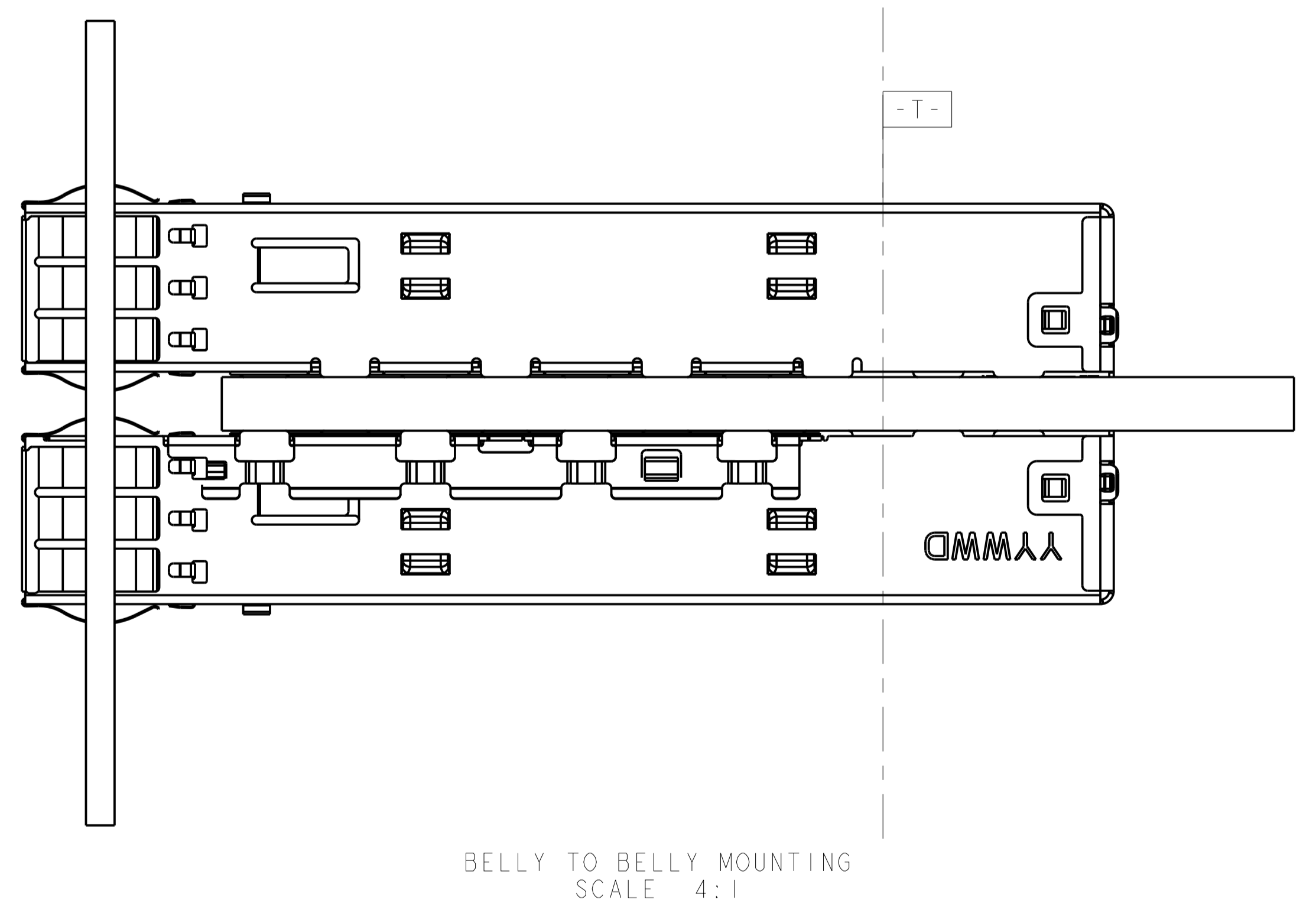
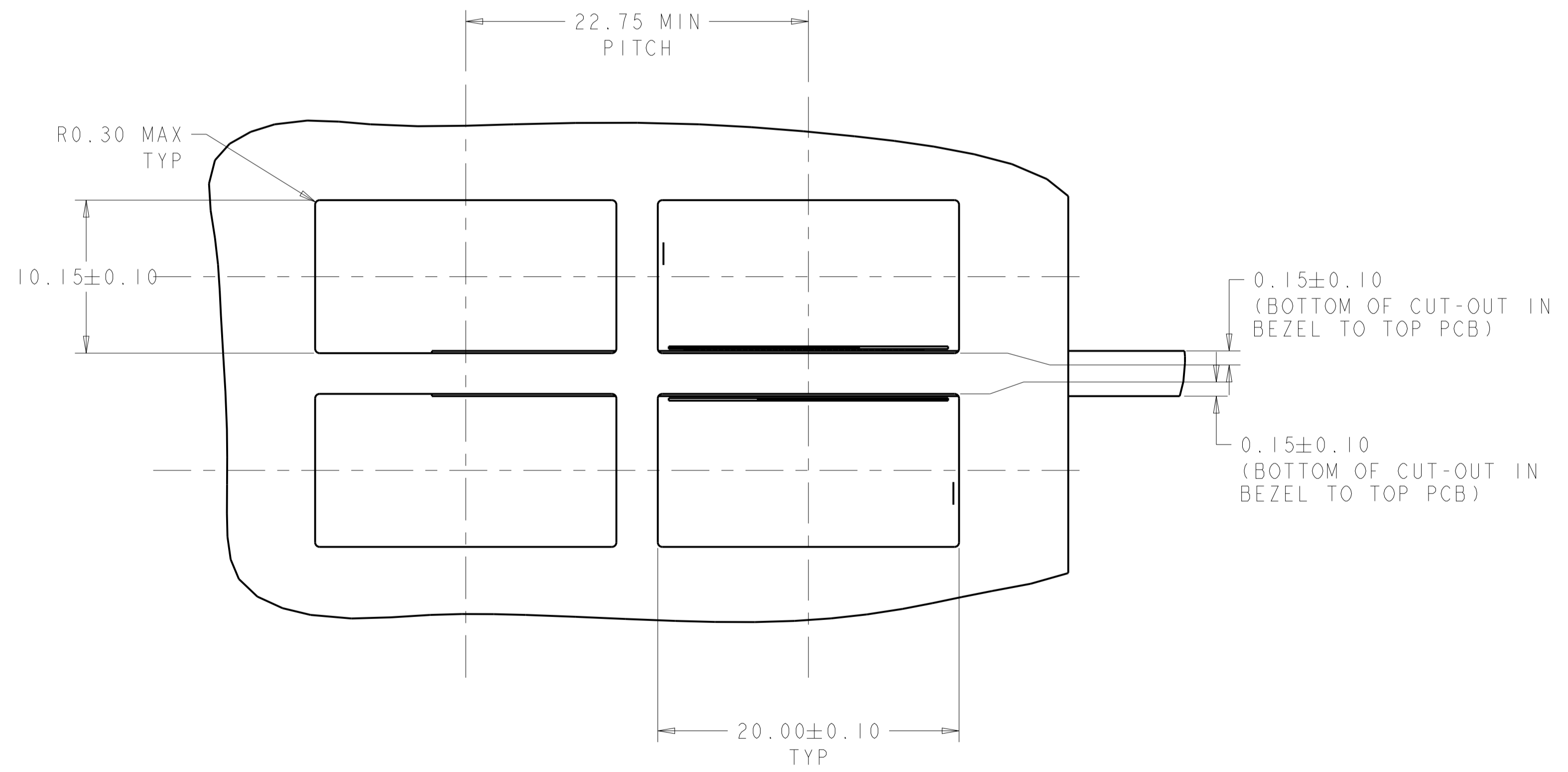
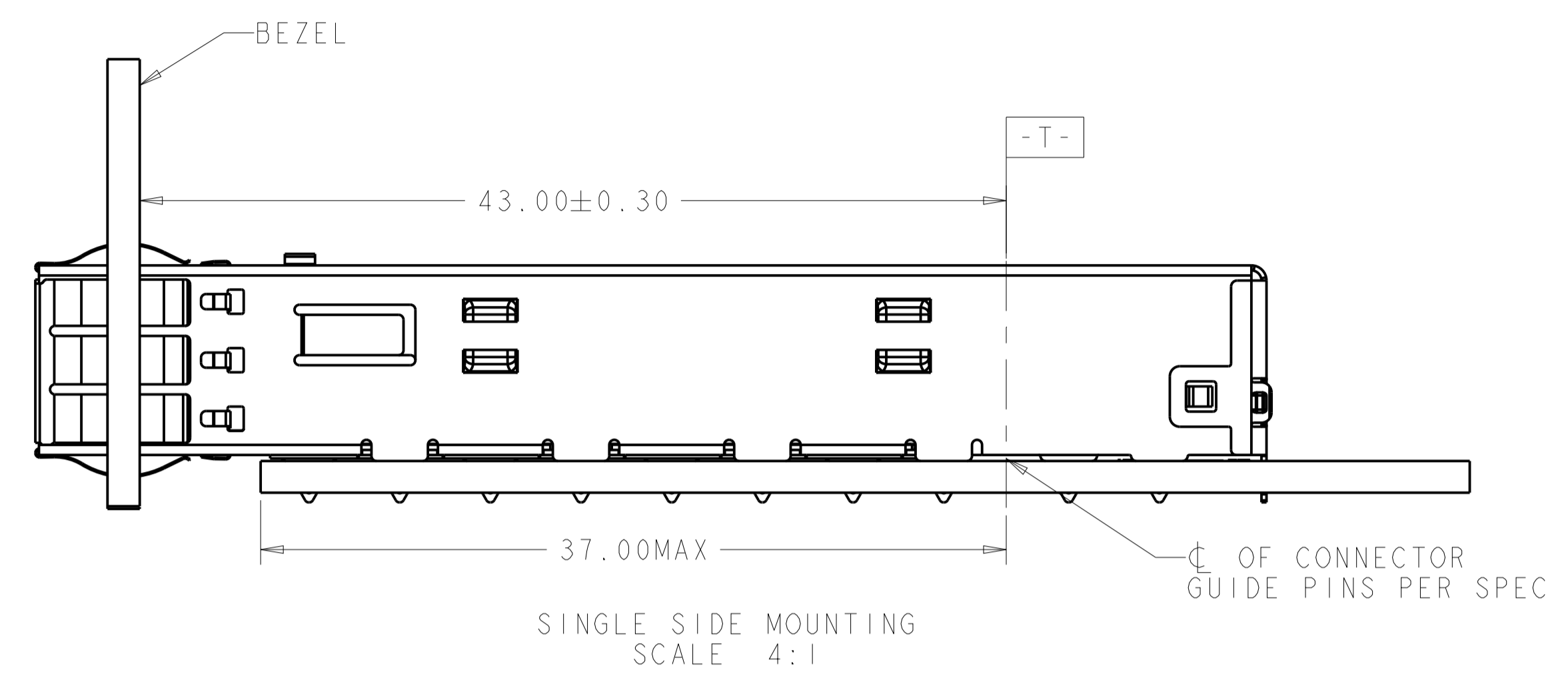
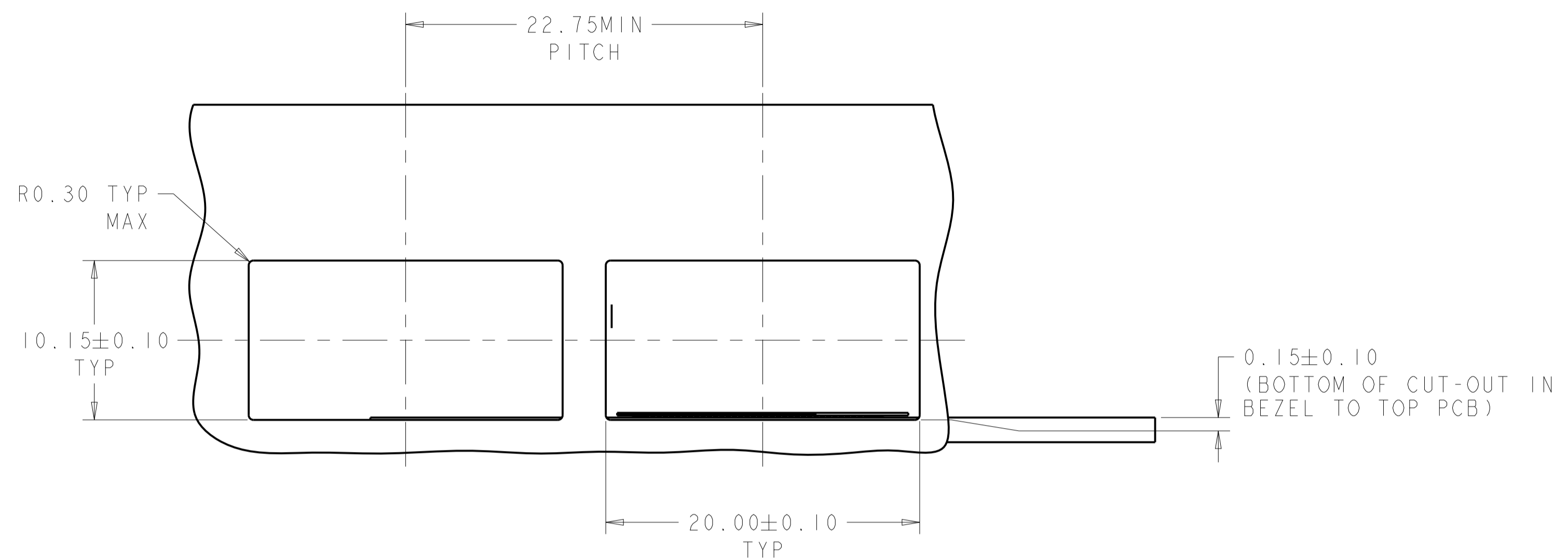
1-2170703-4
SCALE 3:1



SCALE 3:1

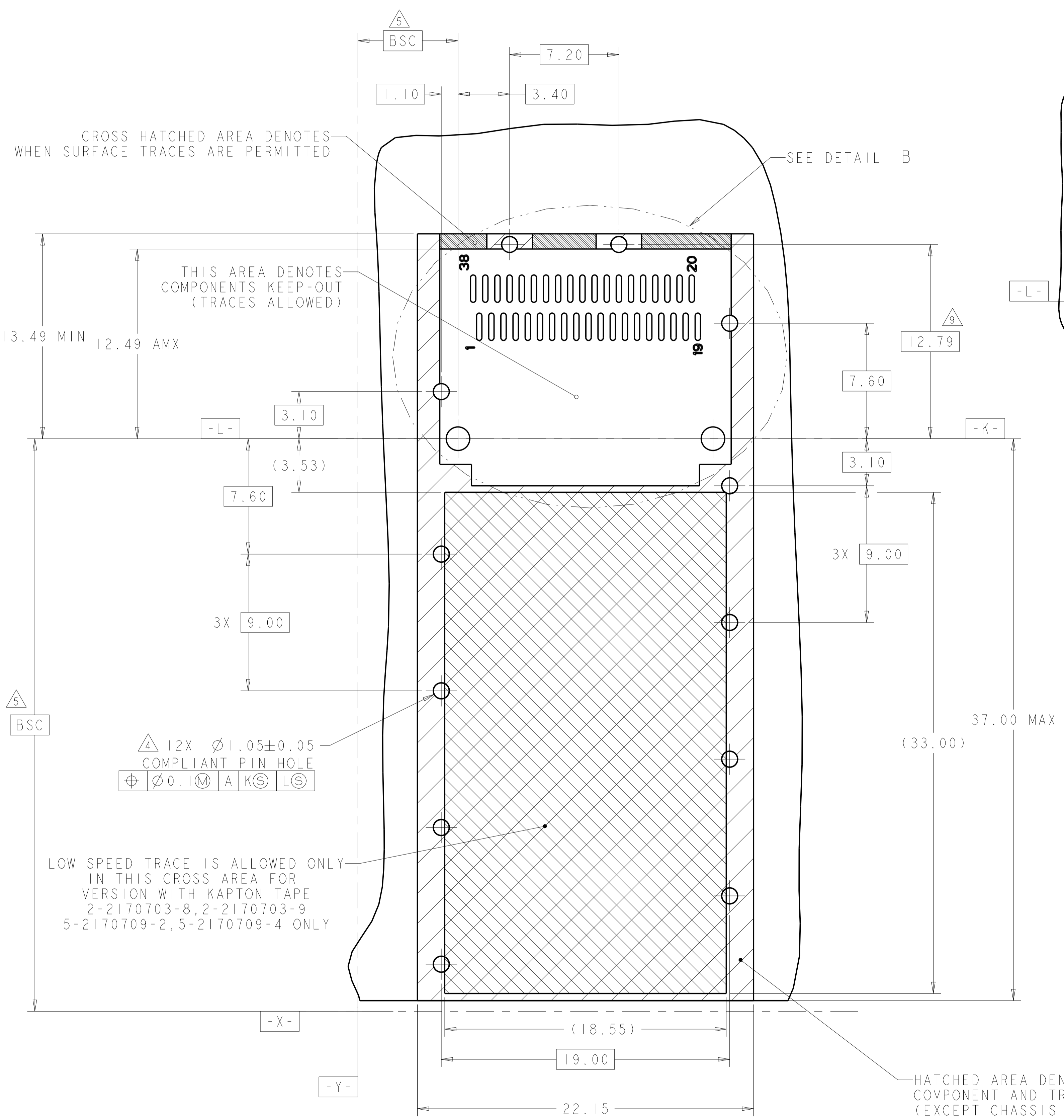
THIS DRAWING IS A CONTROLLED DOCUMENT.		DWN: JASON YANG 23SEP2013	
		CHK: SEAN HAN 29JAN2016	
DIMENSIONS:	TOLERANCES UNLESS OTHERWISE SPECIFIED:	PRODUCT SPEC	NAME
mm	0 PLC ± 0.25	108-19428	CAGE ASSEMBLY, QSFP28 1X1 THRU BEZEL WITH EMI SPRING FINGER
	1 PLC ± 0.25	APPLICATION SPEC	SIZE
	2 PLC ± 0.20		A 100779
	3 PLC ± 0.100		DWG NO
	4 PLC ± -		2170703
	ANGLES ± -	RESTRICTED TO	
MATERIAL	FINISH	RESTRICTED CUSTOMER	SCALE 2:1 SHEET 4 OF 7 REV D1

REVISIONS				
P.	LTN	DESCRIPTION	DATE	APVD
-	-	SEE SHEET 1	-	-

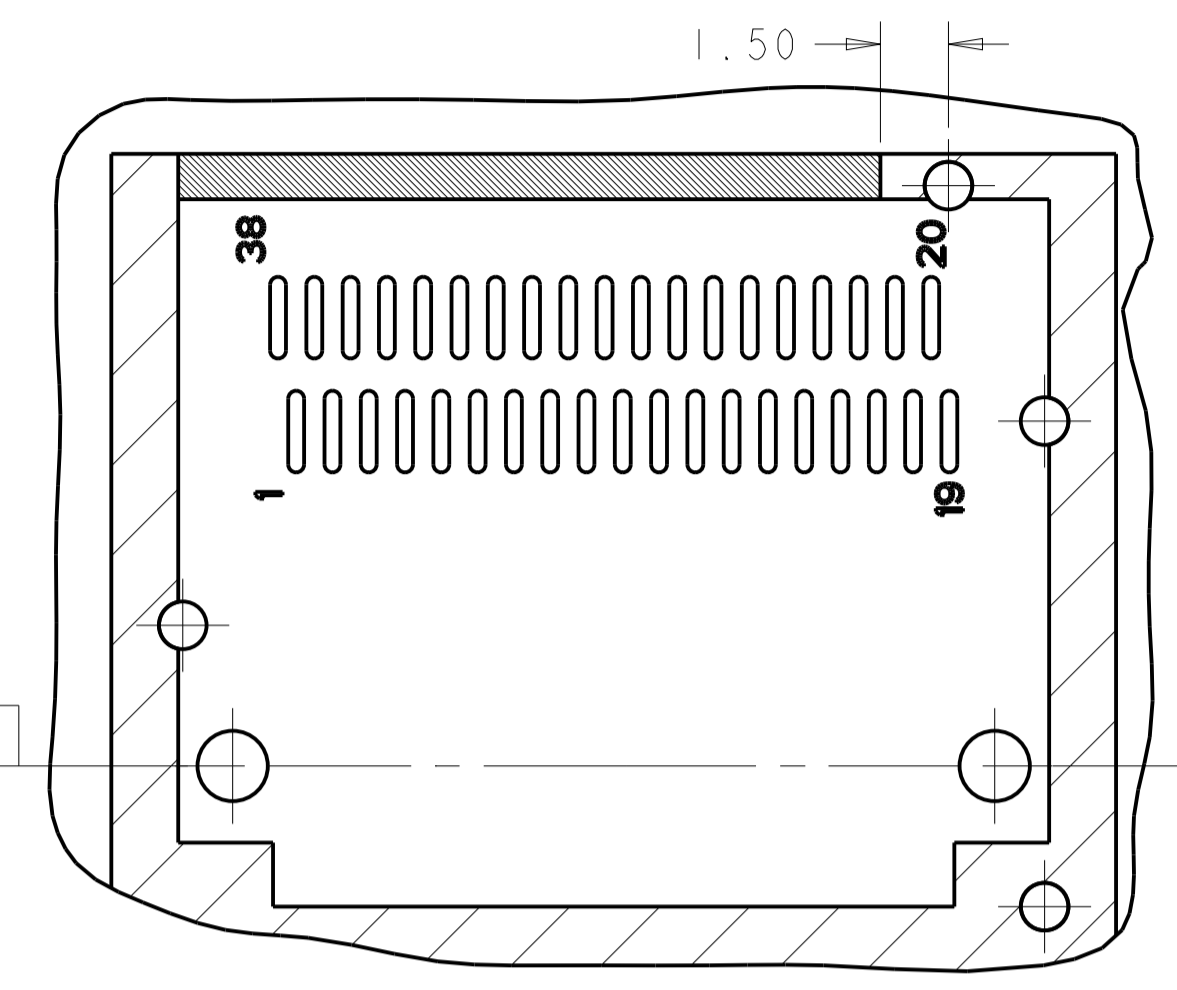


THIS DRAWING IS A CONTROLLED DOCUMENT.		DWN: JASON YANG 23SEP2013	TE Connectivity
		CHK: SEAN HAN 29JAN2016	
DIMENSIONS:	TOLERANCES UNLESS OTHERWISE SPECIFIED:	APVD:	NAME: CAGE ASSEMBLY, QSFP28 1X1 THRU BEZEL WITH EMI SPRING FINGER
mm	0 PLC ± 0.25 1 PLC ± 0.25 2 PLC ± 0.20 3 PLC ± 0.20 4 PLC ± 0.100	PRODUCT SPEC: 108-19428	RESTRICTED TO:
	ANGLES ±	APPLICATION SPEC: 114-32023	SIZE: A1
MATERIAL:	FINISH:	WEIGHT:	CAGE CODE: 00779
		RESTRICTED CUSTOMER	DRAWING NO: 2170703
			SCALE: 2:1 SHEET 5 OF 7 REV: D1

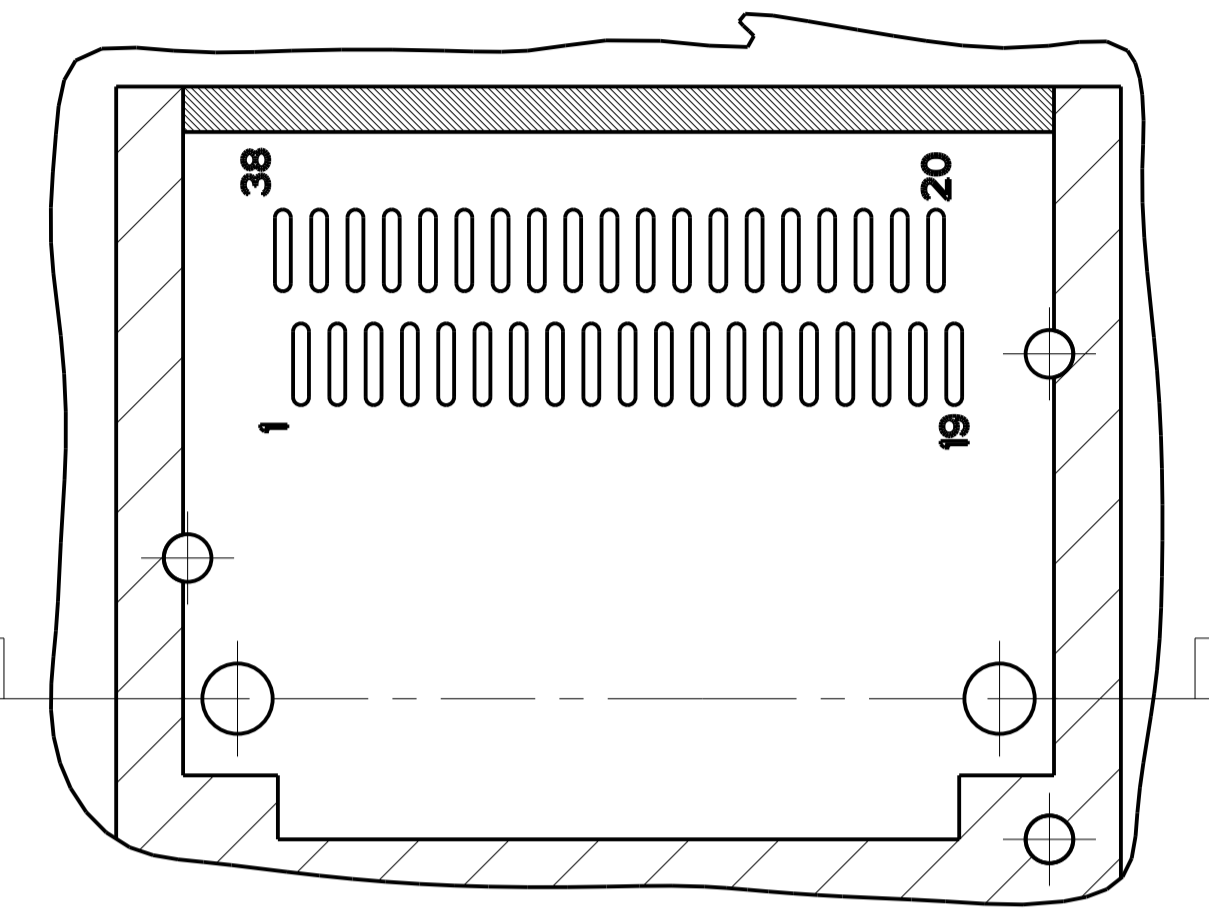
REVISIONS				
P.	LTN	DESCRIPTION	DATE	APVD
-	SEE SHEET 1			



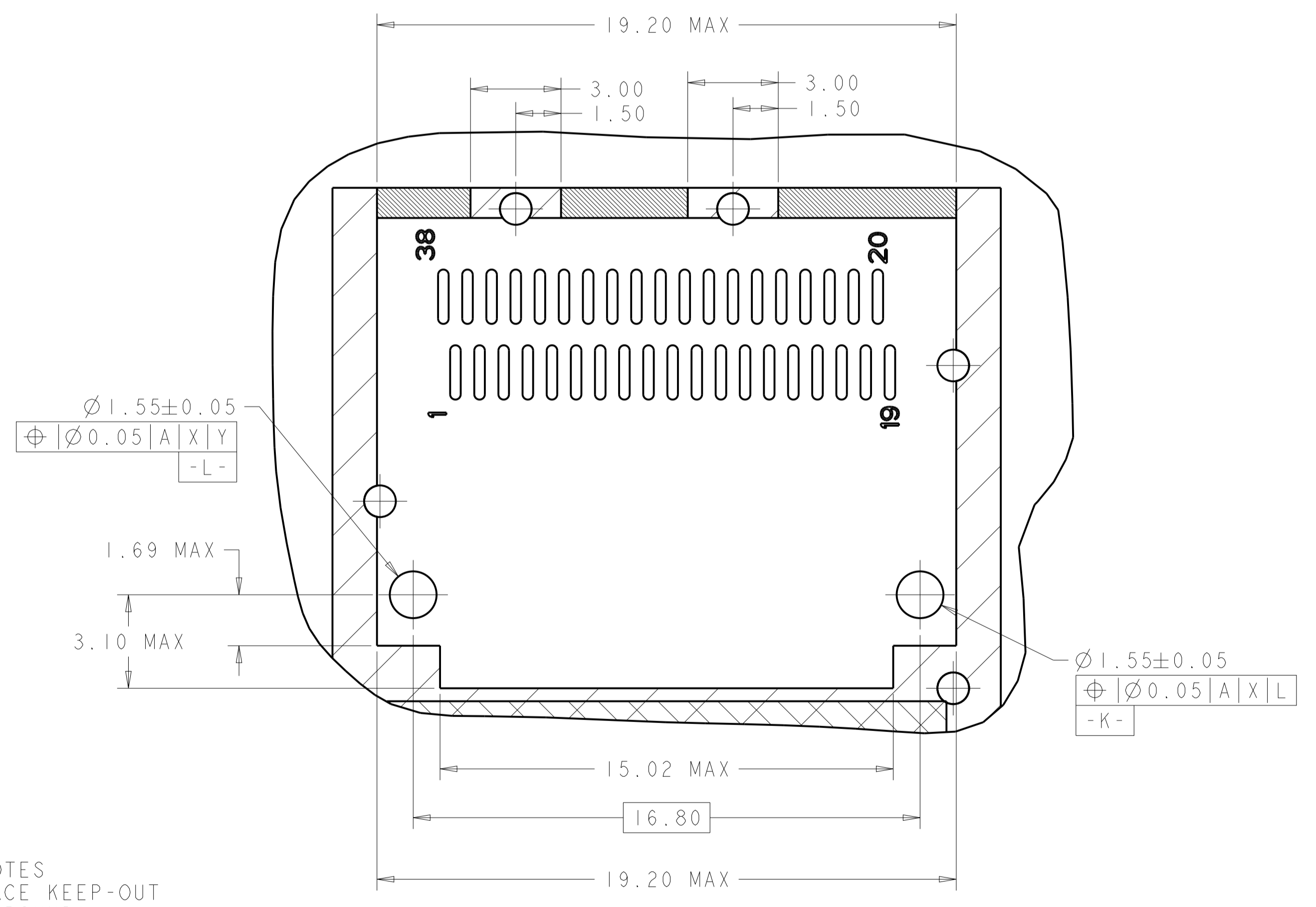
RECOMMENDED PCB LAYOUT
SINGLE TYPE OF 2 REAR HOLES OF LEGS
PCB TOLERANCE: ±0.05
SCALE 6:1



RECOMMENDED PCB LAYOUT
SINGLE TYPE OF 1 REAR HOLES OF LEGS
PCB TOLERANCE: ±0.05
SCALE 6:1



RECOMMENDED PCB LAYOUT
SINGLE TYPE OF 0 REAR HOLES OF LEGS
PCB TOLERANCE: ±0.05
SCALE 6:1



DETAIL B
SCALE 8:1

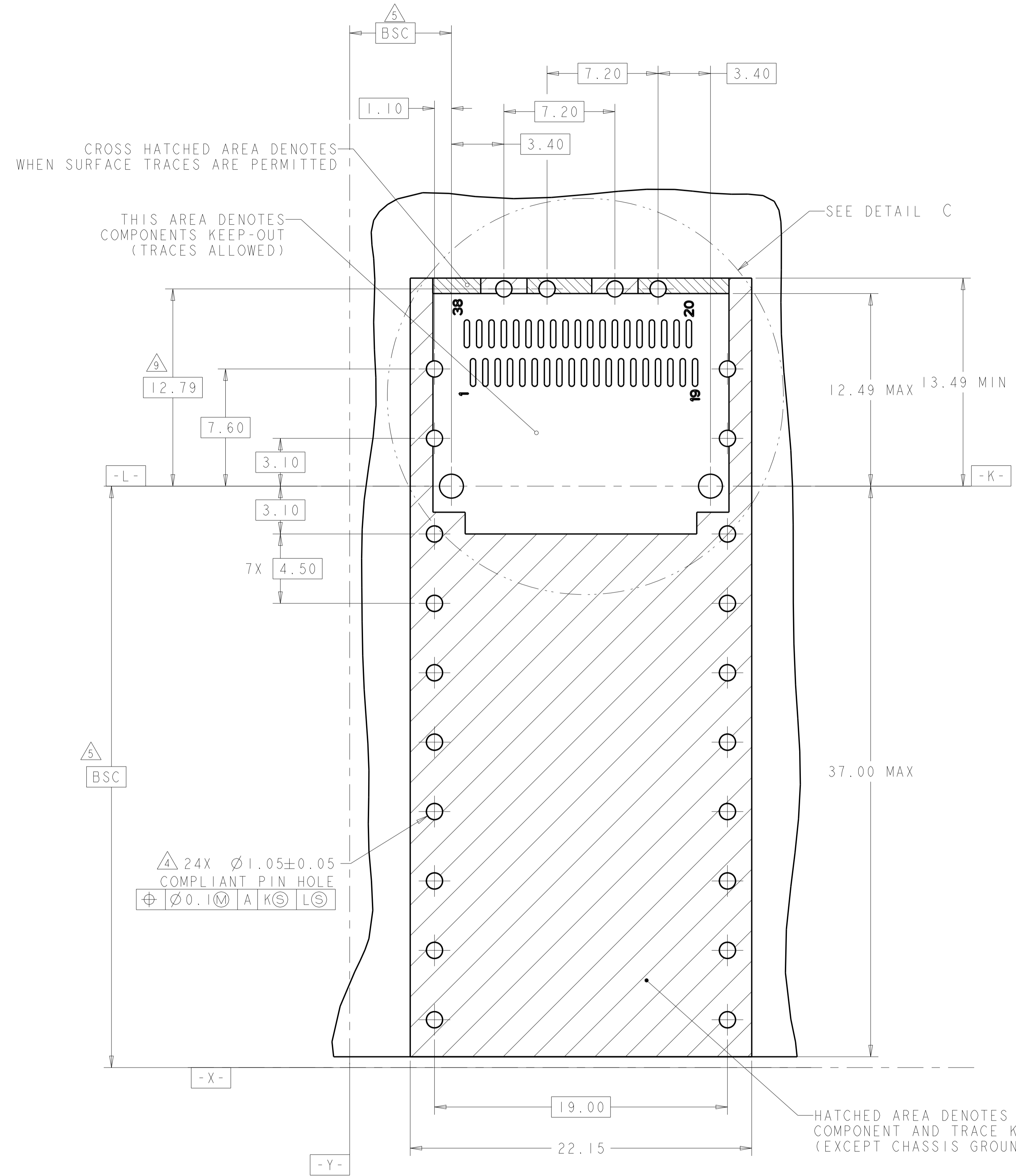
HATCHED AREA DENOTES
COMPONENT AND TRACE KEEP-OUT
(EXCEPT CHASSIS GROUND)

LOW SPEED TRACE IS ALLOWED ONLY
IN THIS CROSS AREA FOR
VERSION WITH KAPTON TAPE
2-2170703-8, 2-2170703-9
5-2170709-2, 5-2170709-4 ONLY

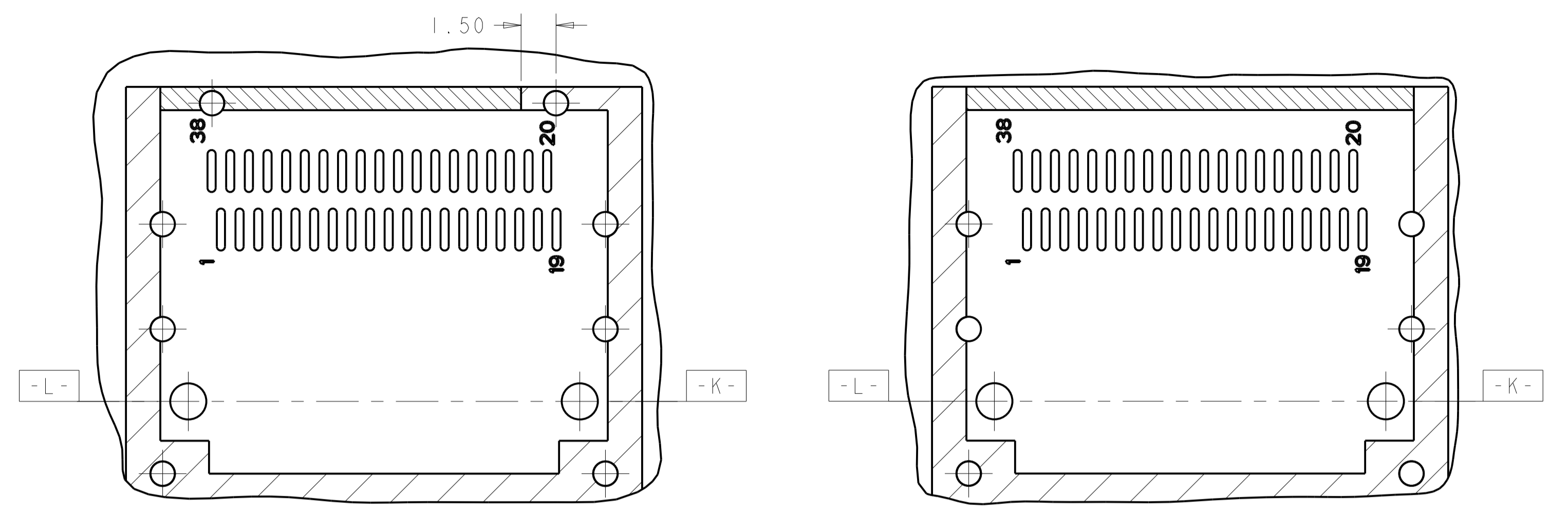
12X Ø1.05±0.05
COMPLIANT PIN HOLE
Ø0.10 A K S L

THIS DRAWING IS A CONTROLLED DOCUMENT.		OWN: JASON YANG 23SEP2013	TE Connectivity
		CHK: SEAN HAN 29JAN2016	
DIMENSIONS:	TOLERANCES UNLESS OTHERWISE SPECIFIED:	APVD:	NAME:
mm	0 PLC ± 0.25	PRODUCT SPEC	CAGE ASSEMBLY, QSFP28 1X1 THRU
	1 PLC ± 0.25	108-19428	BEZEL WITH EMI SPRING FINGER
	2 PLC ± 0.20	APPLICATION SPEC	SIZE: CAGE CODE DRAWING NO
	3 PLC ± 0.100	114-32023	A100779C= 2170703
	4 PLC ±	RESTRICTED CUSTOMER	RESTRICTED TO
MATERIAL:	FINISH:	WEIGHT:	SCALE 2:1 SHEET 6 OF 7 REV D

REVISIONS				
REV	DATE	BY	APPV	DESCRIPTION
-	-	-	-	SEE SHEET 1

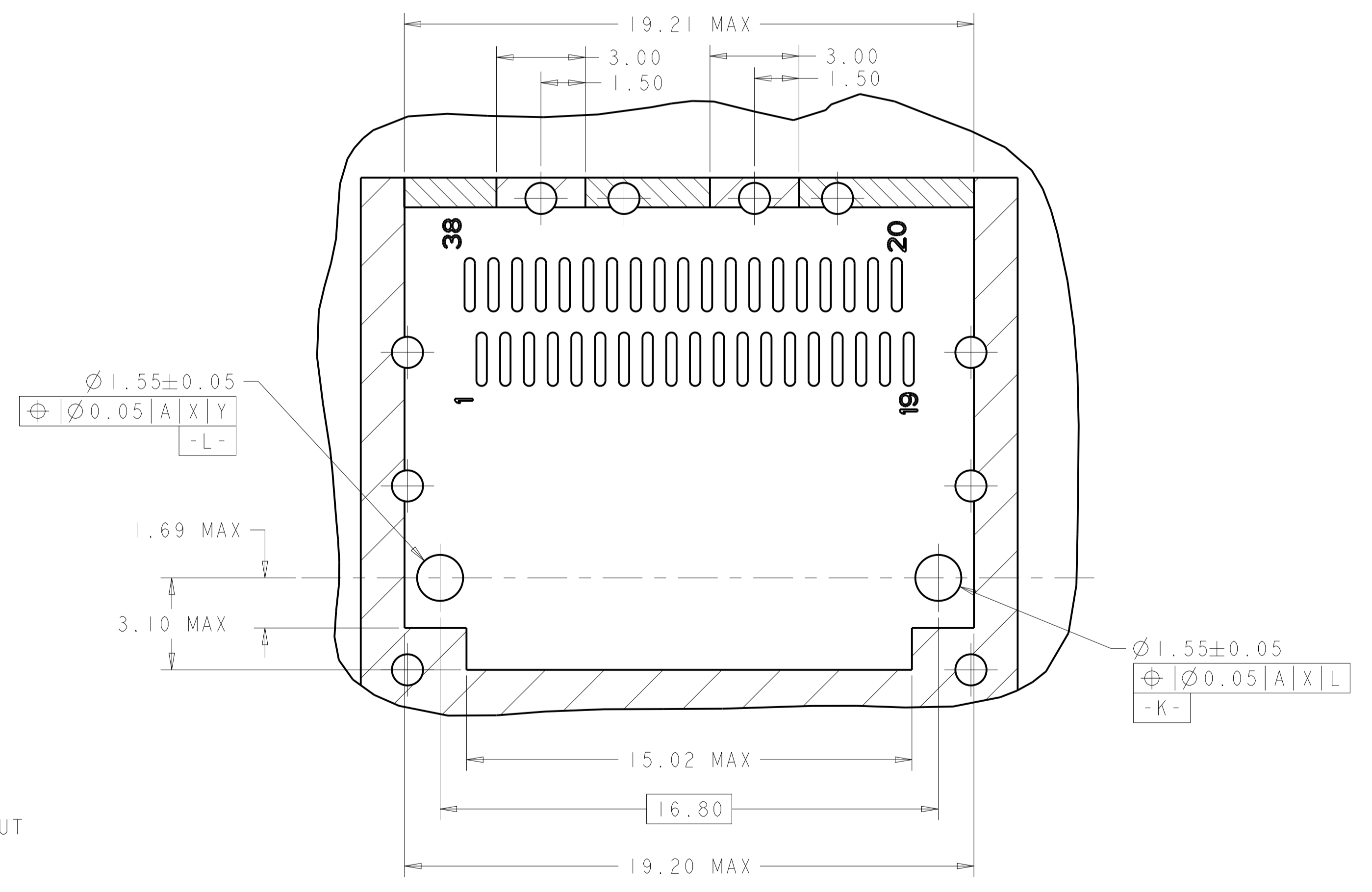


RECOMMENDED PCB LAYOUT
BELLY TO BELLY TYPE OF 2 REAR HOLES OF LEGS
PCB TOLERANCE: ±0.05
SCALE 6:1



RECOMMENDED PCB LAYOUT
BELLY TO BELLY TYPE OF 1 REAR HOLES OF LEGS
PCB TOLERANCE: ±0.05
SCALE 6:1

RECOMMENDED PCB LAYOUT
BELLY TO BELLY TYPE OF 0 REAR HOLES OF LEGS
PCB TOLERANCE: ±0.05
SCALE 6:1



DETAIL C
SCALE 8:1

THIS DRAWING IS A CONTROLLED DOCUMENT.		OWN: JASON YANG 23SEP2013	TE Connectivity
DIMENSIONS: mm		CHK: SEAN HAN 29JAN2016	
TOLERANCES UNLESS OTHERWISE SPECIFIED:		APVD: -	NAME: CAGE ASSEMBLY, QSFP28 1X1 THRU BEZEL WITH EMI SPRING FINGER
0 PLC	± 0.25	PRODUCT SPEC	108-19428
1 PLC	± 0.25	APPLICATION SPEC	114-32023
2 PLC	± 0.20	WEIGHT	RESTRICTED TO
3 PLC	± 0.100	FINISH	RESTRICTED CUSTOMER
4 PLC	-	SCALE	2:1
ANGLES	-	SHEET	7 of 7
MATERIAL	-	REV	D

X-ON Electronics

Largest Supplier of Electrical and Electronic Components

Click to view similar products for [I/O Connectors](#) category:

Click to view products by [TE Connectivity](#) manufacturer:

Other Similar products are found below :

[571763P](#) [58098-0628](#) [72.250.1628.2](#) [72.250.2428.2](#) [74720-0505](#) [76.350.0729.0](#) [76871-1403](#) [FCN-244F080-G/1](#) [FCN-260A9920](#) [PCR-E36PM](#) [PCS-XE26MA+](#) [G38A71314B](#) [1571250010](#) [157-22500-3](#) [MS3471L14-19P L/C](#) [172501-4002](#) [172501-6002](#) [FCN-260C008-A/L0](#) [FCN-260C024-AL0](#) [FCN-261Z008](#) [2000314-1](#) [200331-1](#) [PCR-E36FC+](#) [PCS-E28FS+](#) [PCS-XE26SLFD+](#) [PCS-XE26SLFDT+](#) [G730VID08BDC24](#) [U90B2054081210](#) [38113800006](#) [DP3AR020WQ1R200](#) [Z4.102.0680.0](#) [500-1040](#) [500-1052](#) [500-1054](#) [ZP-4008-66L](#) [0709821002](#) [DX40-20P\(55\)](#) [5554841-1](#) [MS3474W18-8P-LC*](#) [U90B3054061110](#) [U65-E04-4020](#) [ZPF000000000097891](#) [747360449](#) [10099439-003C-TRLF](#) [10137239-0021LF](#) [E9320-001-01](#) [10137239-0011LF](#) [70289-001LF](#) [70.060.1028.0](#) [109029-ZZ](#)